



US00D796275S

(12) **United States Design Patent** (10) **Patent No.:** **US D796,275 S**
Breit (45) **Date of Patent:** **** *Sep. 5, 2017**

(54) **PEELER**

(56) **References Cited**

(71) Applicant: **Oliver Rudolf Breit**, Hong Kong (HK)

U.S. PATENT DOCUMENTS

(72) Inventor: **Oliver Rudolf Breit**, Hong Kong (HK)

D181,941 S *	1/1958	Murphee	D7/695
D488,362 S *	4/2004	Overthun	D7/695
D609,537 S *	2/2010	Kestenbaum	D7/695
D669,325 S *	10/2012	Evans	D7/695
D706,092 S *	6/2014	Pavlak	D7/673

(73) Assignee: **UT BRANDS, LLC**, Costa Mesa, CA (US)

(*) Notice: This patent is subject to a terminal disclaimer.

* cited by examiner

(**) Term: **14 Years**

Primary Examiner — Terry A Wallace

(21) Appl. No.: **29/463,914**

(57) **CLAIM**

The ornamental design for a peeler, as shown.

(22) Filed: **Apr. 2, 2014**

DESCRIPTION

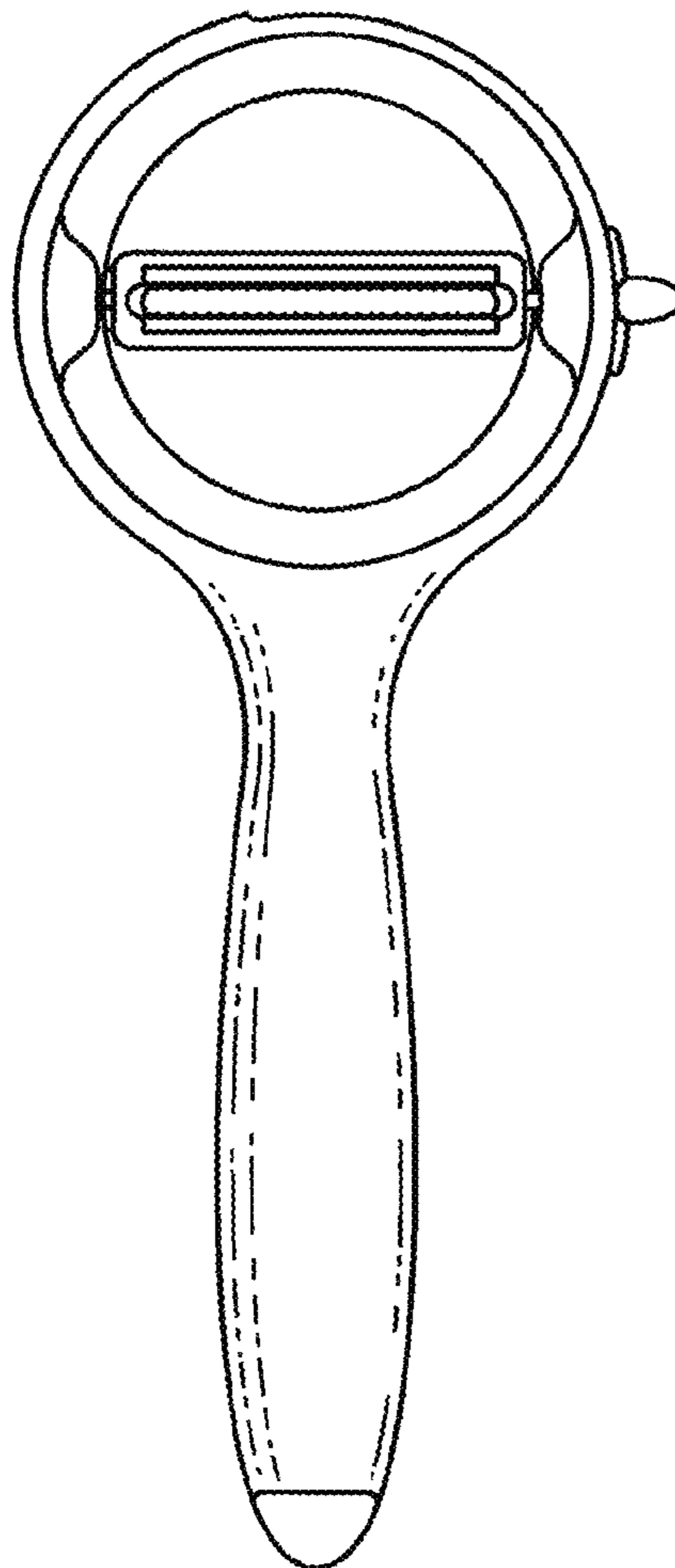
(51) **LOC (10) Cl.** **07-04**

(52) **U.S. Cl.**
USPC **D7/695**

(58) **Field of Classification Search**
USPC D7/368, 669, 693–696, 650, 401.2, 393,
D7/395; D8/95, 96, 98
CPC .. A47J 17/04; A47J 17/00; A47J 17/02; A47J
17/10; B26D 1/03
See application file for complete search history.

FIG. 1 is a top view of a peeler of my design;
FIG. 2 is a bottom view of FIG. 1;
FIG. 3 is a right side view of FIG. 1;
FIG. 4 is a left side view of FIG. 1;
FIG. 5 is a back view of FIG. 1;
FIG. 6 is a front view of FIG. 1; and,
FIG. 7 is a top right perspective view of FIG. 1.

1 Claim, 3 Drawing Sheets



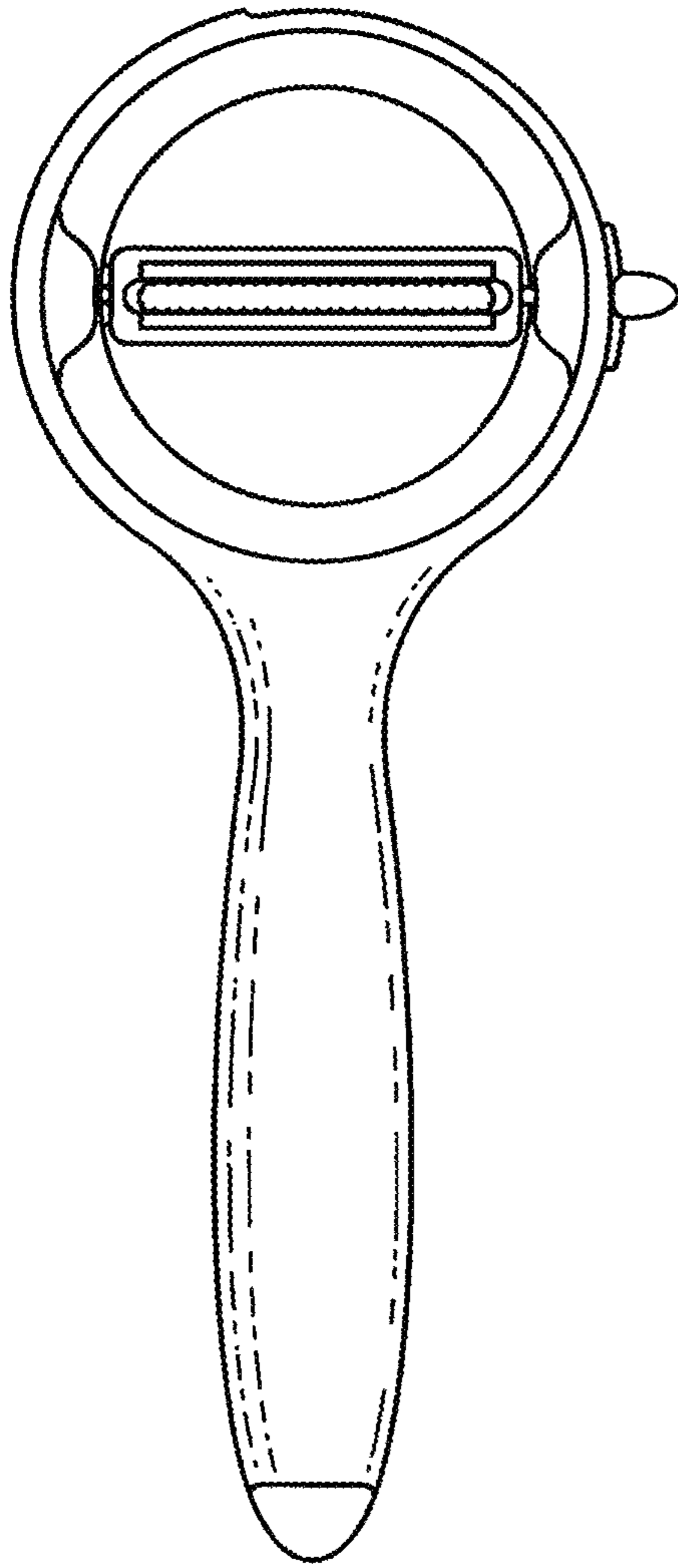


Fig. 1

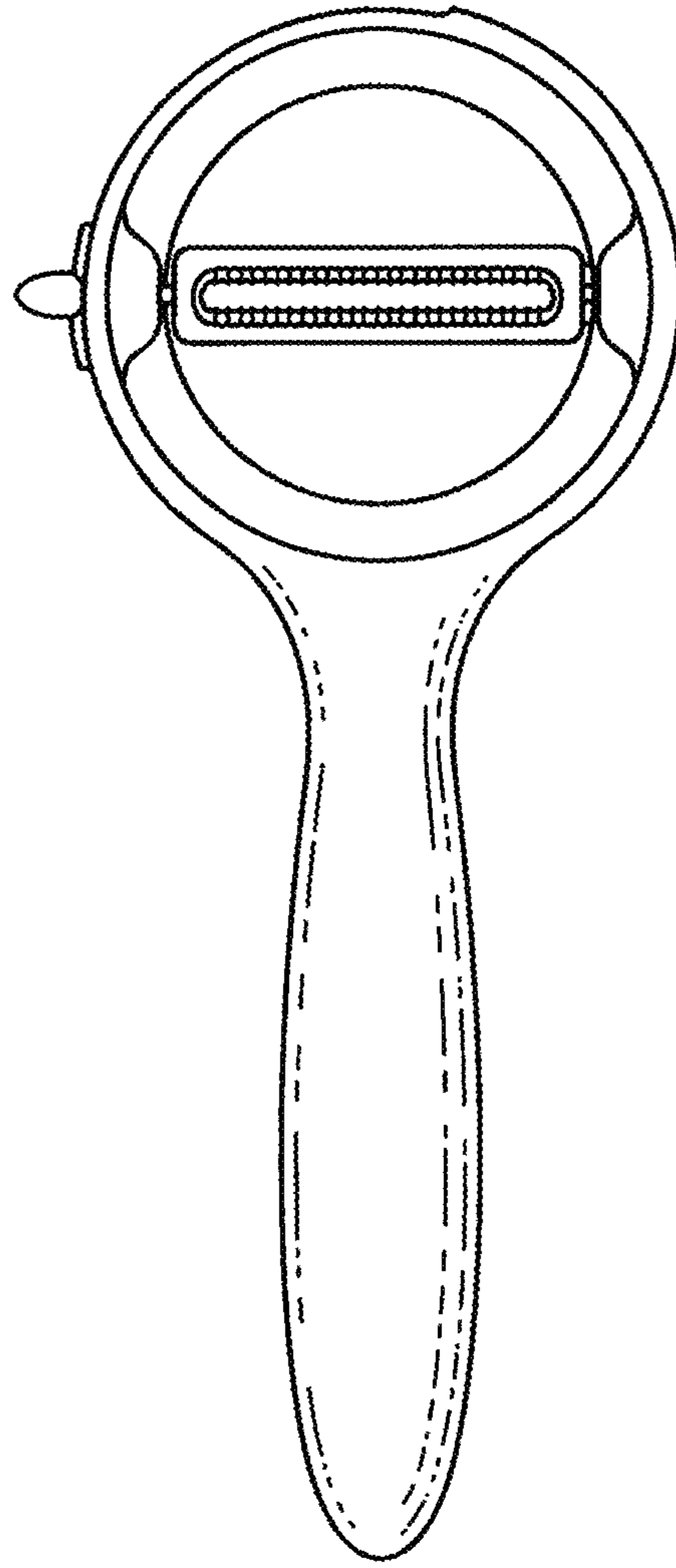


Fig. 2

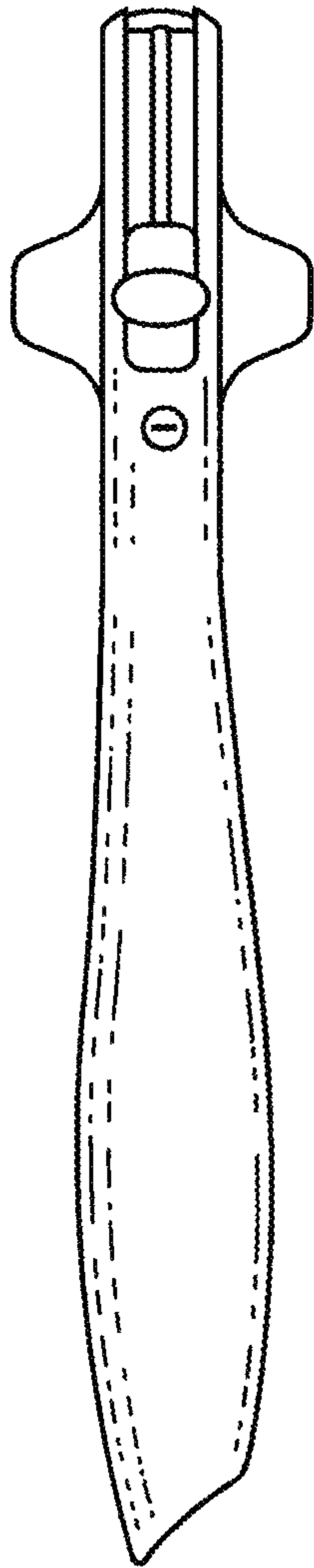


Fig. 3

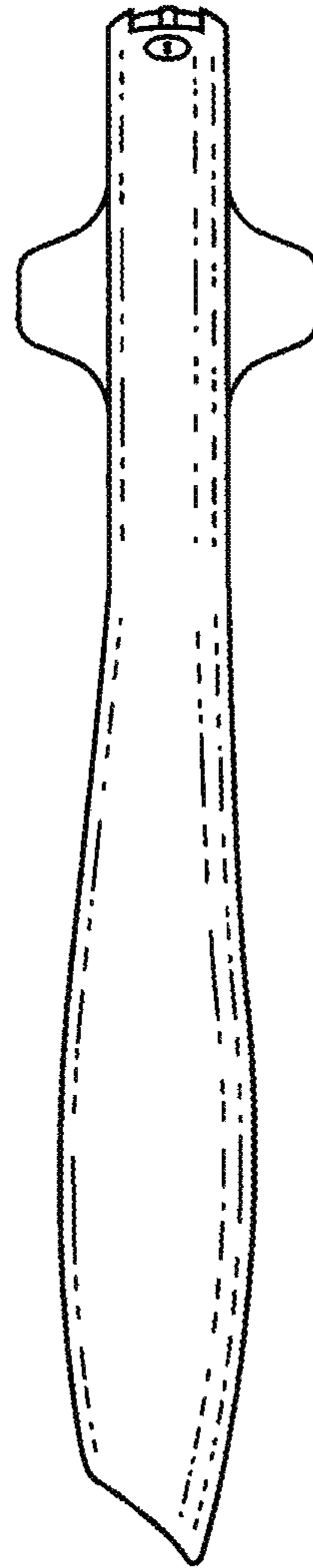


Fig. 4

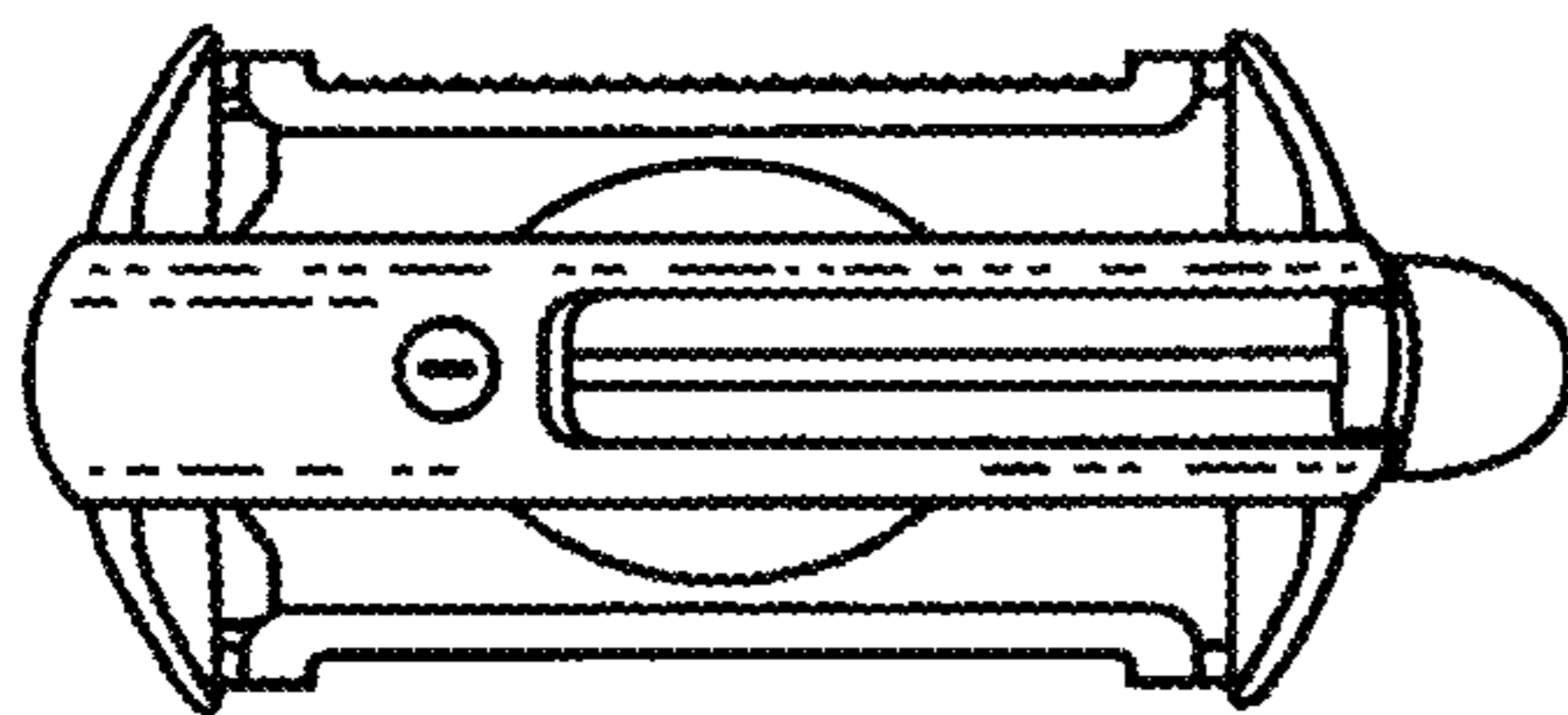


Fig. 5

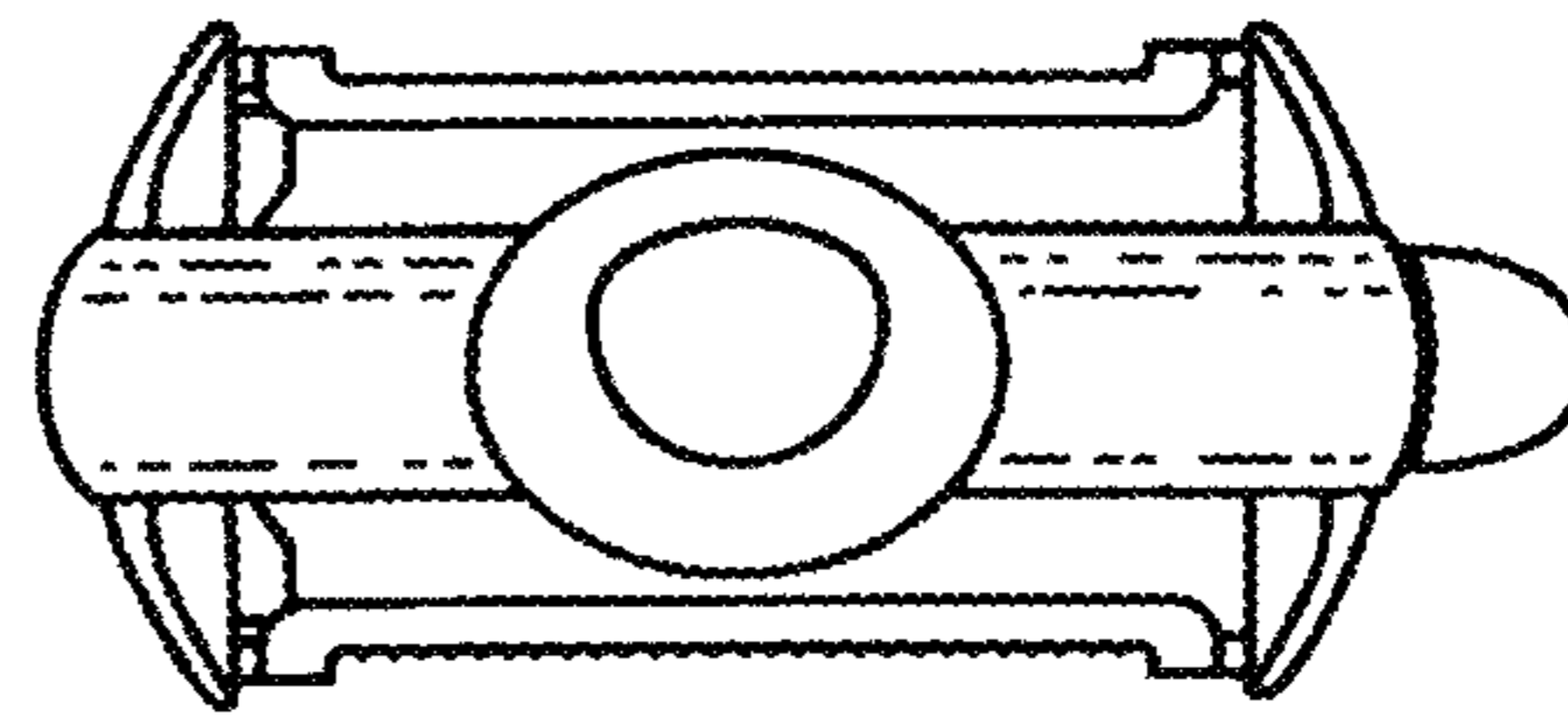


Fig. 6

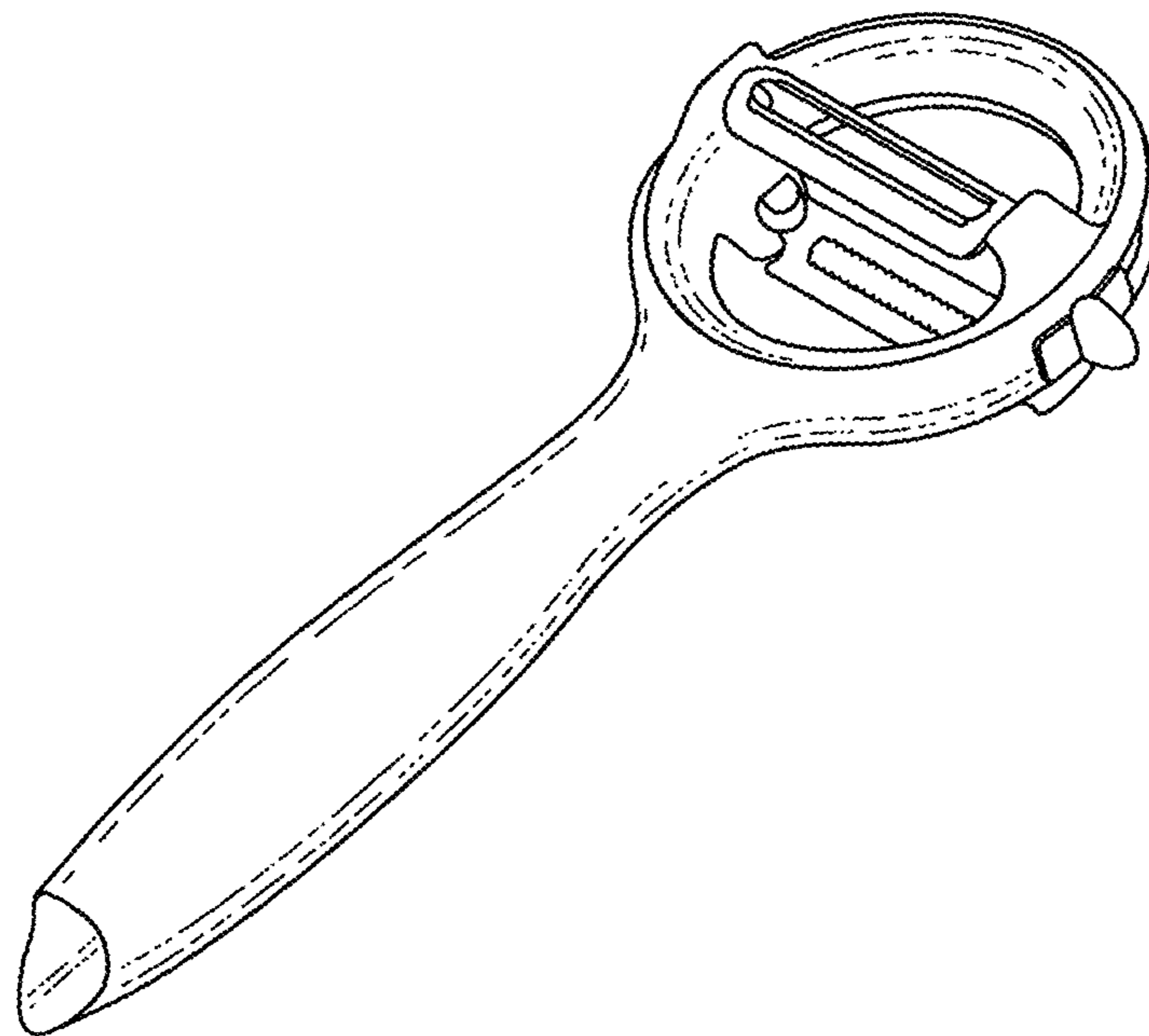


Fig. 7