



US00D796273S

(12) **United States Design Patent** (10) **Patent No.:** **US D796,273 S**
Knauf (45) **Date of Patent:** **** Sep. 5, 2017**

(54) **POPSICLE MOLD**

(71) Applicant: **Barbara Knauf**, Jupiter, FL (US)

(72) Inventor: **Barbara Knauf**, Jupiter, FL (US)

(**) Term: **15 Years**

(21) Appl. No.: **29/564,482**

(22) Filed: **May 13, 2016**

(51) **LOC (10) Cl.** **07-04**

(52) **U.S. Cl.**

USPC **D7/672**; D1/102

(58) **Field of Classification Search**

USPC D7/672, 673-676, 357, 686-688;
D15/90, 80; 99/426; D1/102-105;
D9/757; 426/241

CPC A47J 43/20; A47J 43/282; A47J 43/283;
A47J 43/288; A22C 7/00; A22C 7/0076;
A22C 7/0023; A22C 7/0046; A21B
3/132; A21B 3/133; A21B 3/138; A21B
3/139; A63B 45/00; A63B 45/02; A23G
9/26; A23G 9/503; A23G 9/221; A23G
9/083

See application file for complete search history.

(56) **References Cited**

U.S. PATENT DOCUMENTS

2,212,764 A * 8/1940 York A23G 9/26
249/160
2,312,046 A * 2/1943 Neilson A23G 9/26
220/759

D189,309 S * 11/1960 Tupper D7/672
D544,177 S * 6/2007 Beecham D1/102
D721,866 S * 2/2015 Giarraffa D1/105
2013/0011530 A1 * 1/2013 Wolf A23G 9/26
426/241
2013/0011531 A1 * 1/2013 Wolf A23G 9/26
426/241

* cited by examiner

Primary Examiner — Susan Bennett Hattan

Assistant Examiner — Brett Miller

(74) *Attorney, Agent, or Firm* — Intellectual Property
Center, LLC; Arthur K. Shaffer

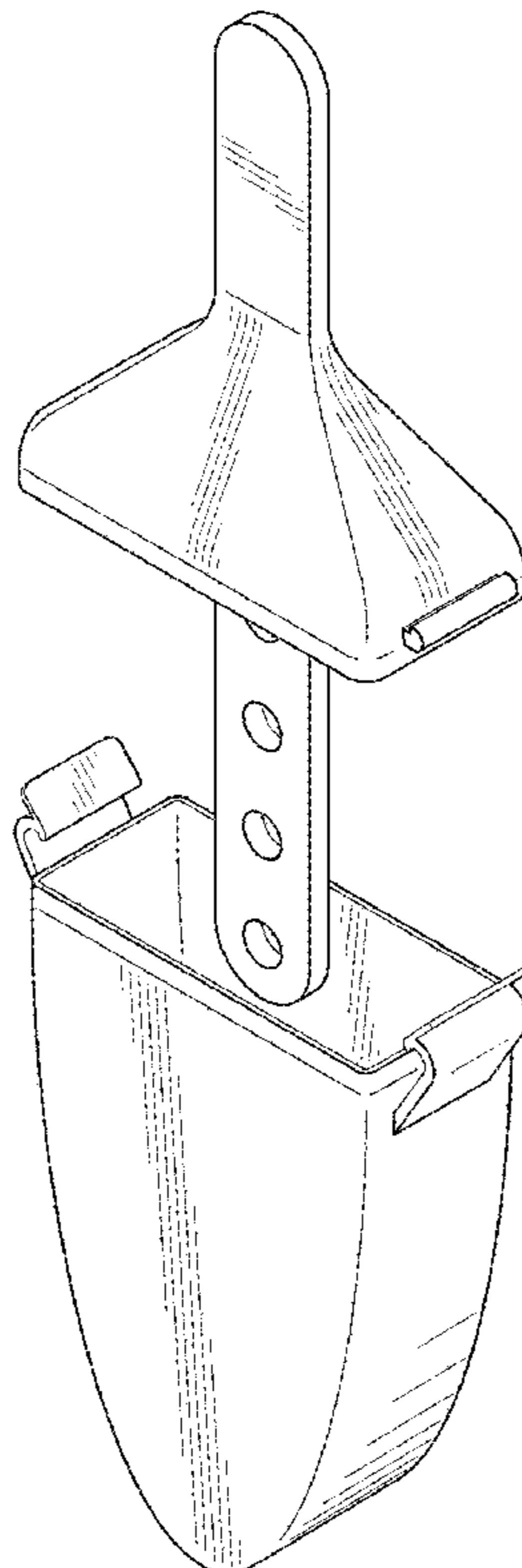
(57) **CLAIM**

The ornamental design for a popsicle mold, as shown and described herein.

DESCRIPTION

FIG. 1 is a front, top perspective view of the popsicle mold shown in a first position in accordance with the new design; FIG. 2 is a front, top perspective view shown in a second position; FIG. 3 is a front view of the second position of FIG. 2; the front and rear being mirror images of each other. FIG. 4 is a side view of the second position of FIG. 2; the right and left sides being mirror images of each other. FIG. 5 is top view of the second position of FIG. 2; and, FIG. 6 is a bottom of the second position of FIG. 2.

1 Claim, 3 Drawing Sheets



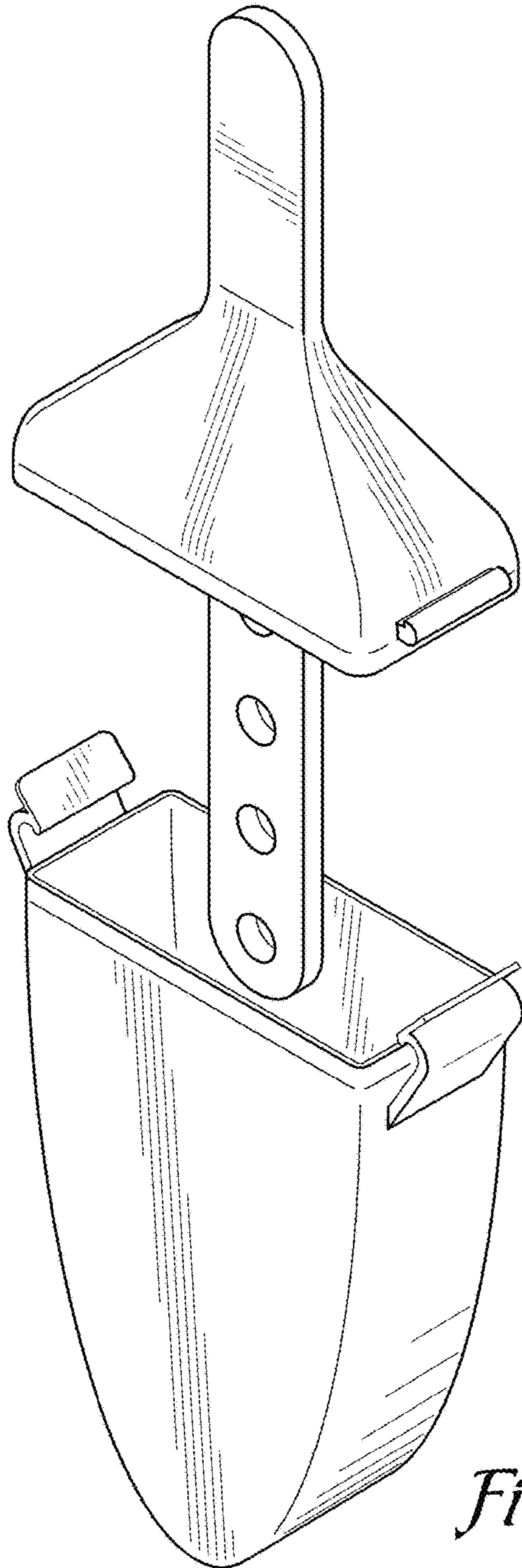


Fig. 1

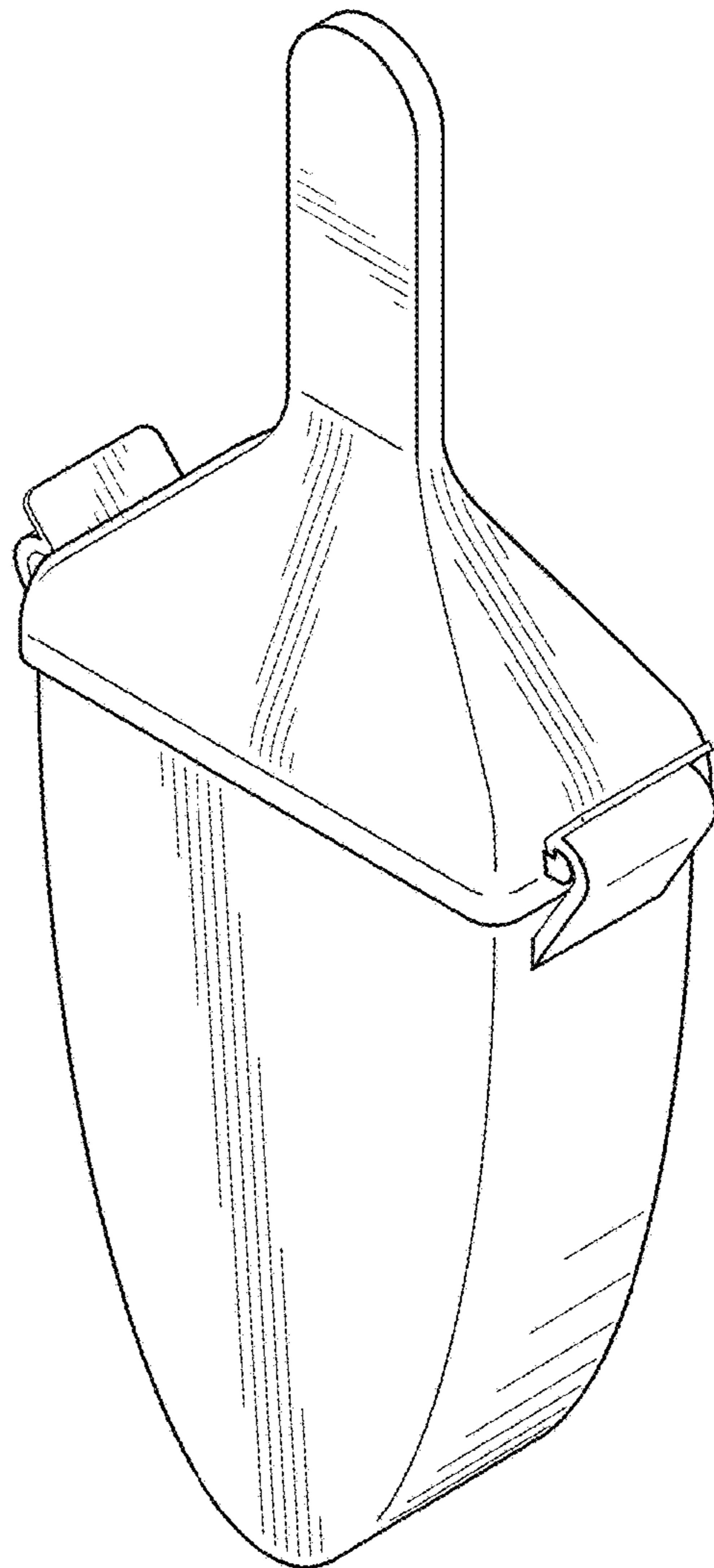


Fig. 2

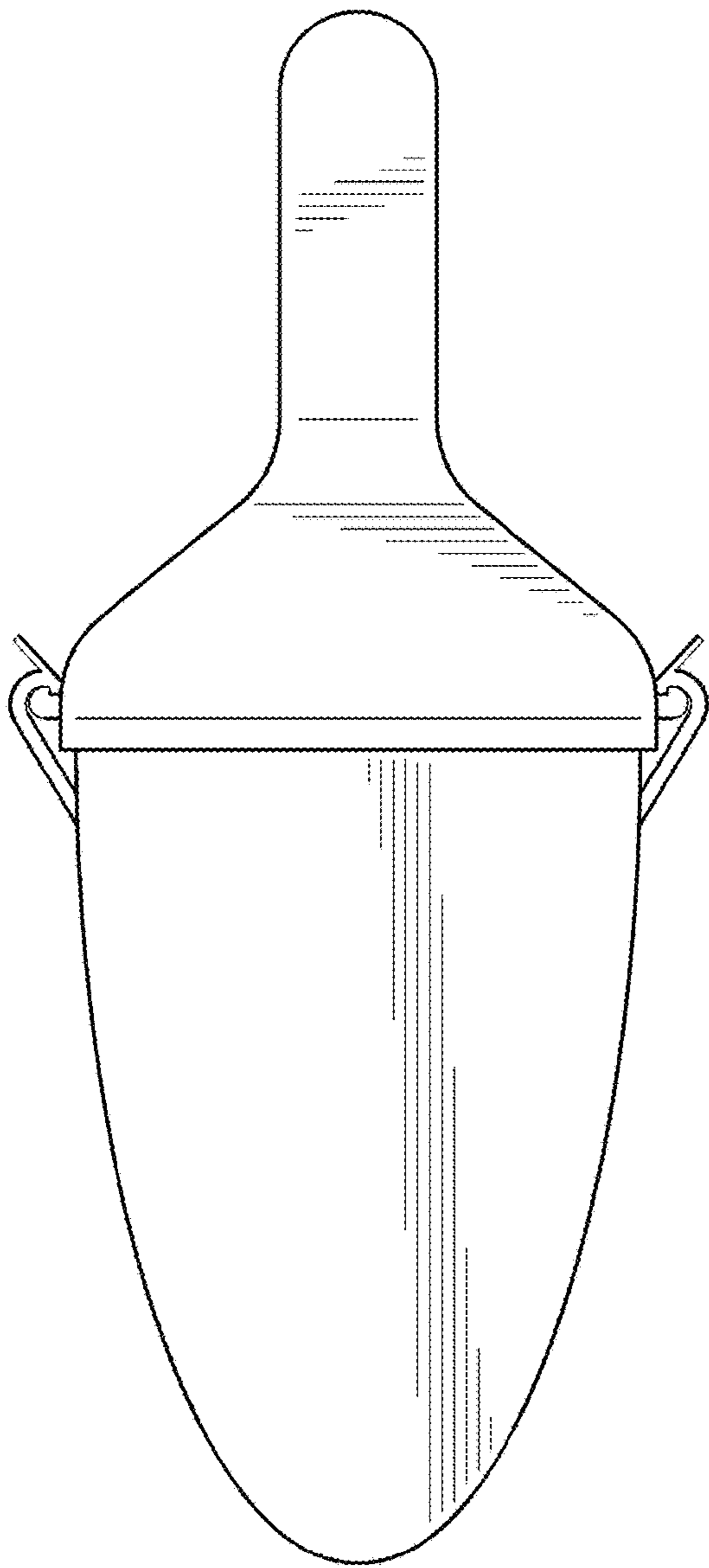


Fig. 3

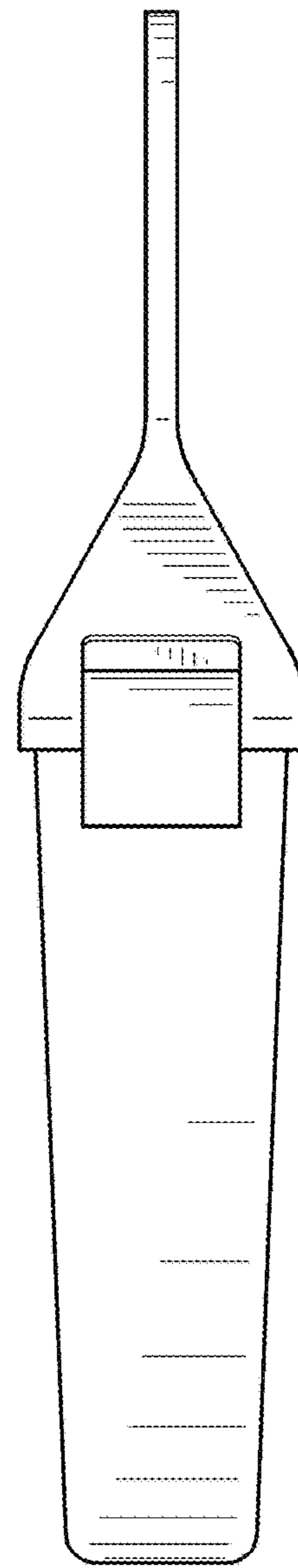


Fig. 4

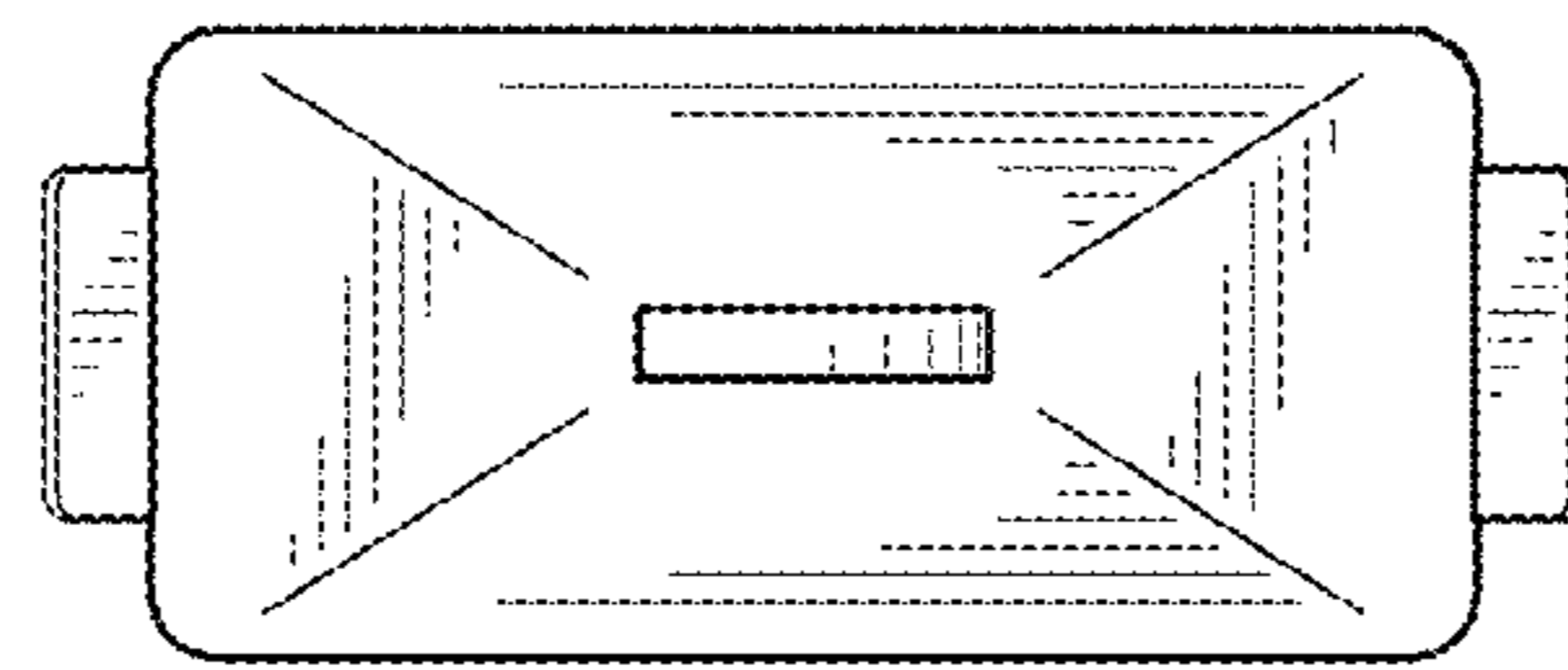


Fig. 5

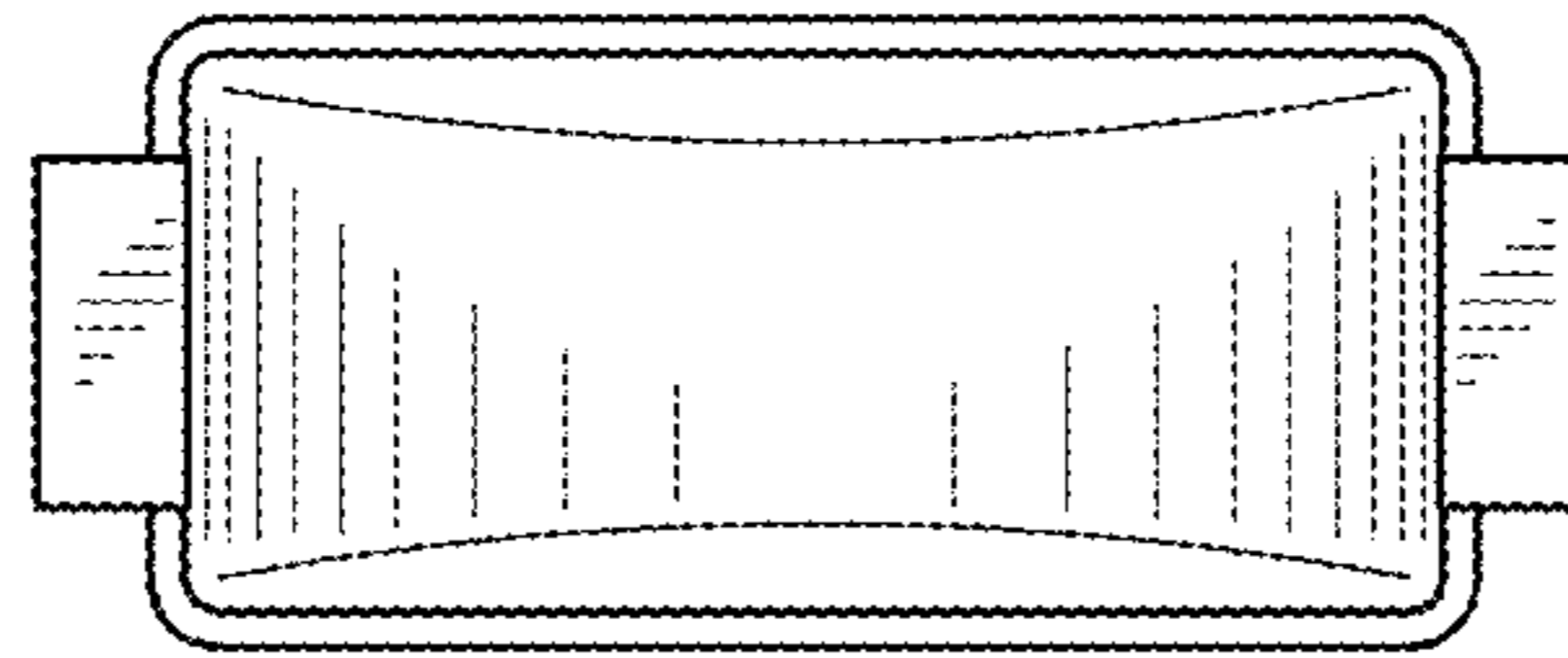


Fig. 6