

US00D796272S

(12) **United States Design Patent** (10) **Patent No.:** **US D796,272 S**  
**Semo et al.** (45) **Date of Patent:** **\*\* Sep. 5, 2017**

(54) **FOOD PRESS**

(71) Applicant: **Juicero, Inc.**, San Francisco, CA (US)  
(72) Inventors: **Dan Semo**, San Francisco, CA (US);  
**John Kiechel**, Oakland, CA (US); **Paul Katz**, San Marino, CA (US)  
(73) Assignee: **Juicero, Inc.**, San Francisco, CA (US)  
(\*\*) Term: **15 Years**

(21) Appl. No.: **29/556,873**

(22) Filed: **Mar. 3, 2016**

(51) **LOC (10) Cl.** ..... **31-00**

(52) **U.S. Cl.**  
USPC ..... **D7/665**

(58) **Field of Classification Search**  
USPC ..... D3/200; D6/542, 543, 544, 545, 688,  
D6/672; D7/213, 300, 301, 305, 307,  
D7/308, 309, 311, 368, 589, 665;  
D8/353; D9/430, 432, 455; D14/341;  
D16/165; D19/27, 32, 75; D25/2, 32  
CPC ..... A47J 43/286; A47J 19/02; A47J 19/06;  
F16D 2125/66; A23N 1/00  
See application file for complete search history.

(56) **References Cited**

**U.S. PATENT DOCUMENTS**

D136,772 S *	12/1943	Bonde	.....	D7/665
D570,149 S *	6/2008	Truong	.....	D7/306
D769,045 S *	10/2016	Cha	.....	D7/306
D774,848 S *	12/2016	Flotats Molinas	.....	D7/665
2012/0085248 A1 *	4/2012	Lin	.....	A47J 19/02 99/501
2016/0095461 A1 *	4/2016	Desjardin	.....	A47J 19/02 99/513

**OTHER PUBLICATIONS**

YouTube video by Juicero, Juicero: Making Juice is Easy, Mar. 31, 2016, [site visited Mar. 28, 2017], Available on the Internet URL: <<https://www.youtube.com/watch?v=X1oHp-VvhDE>>.\*  
The Juicero Press. The Press, Publication date unknown, [site visited Mar. 28, 2017], Available on the Internet URL: <[www.juicero.com/the-press/](http://www.juicero.com/the-press/)>.\*  
The Juicero Press. Home Page, Publication date unknown, [site visited Mar. 28, 2017], Available on the Internet URL: <[www.juicero.com](http://www.juicero.com)>.\*  
U.S. Appl. No. 29/556,823, filed Mar. 3, 2016, Semo et al.

\* cited by examiner

*Primary Examiner* — Karen S Acker

*Assistant Examiner* — S Bryan Reinholdt, Jr.

(74) *Attorney, Agent, or Firm* — Wolf, Greenfield & Sacks, P.C.

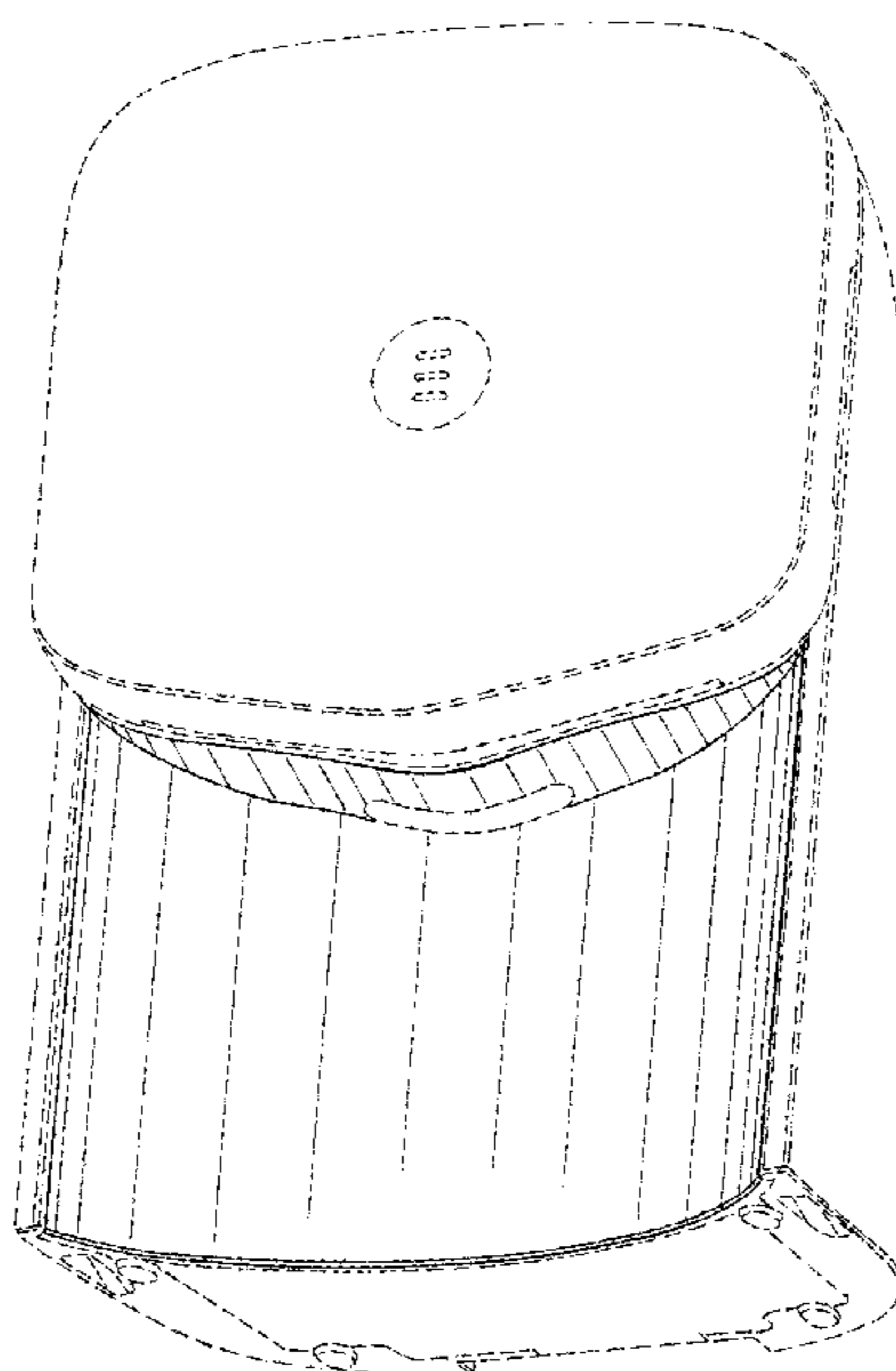
(57) **CLAIM**

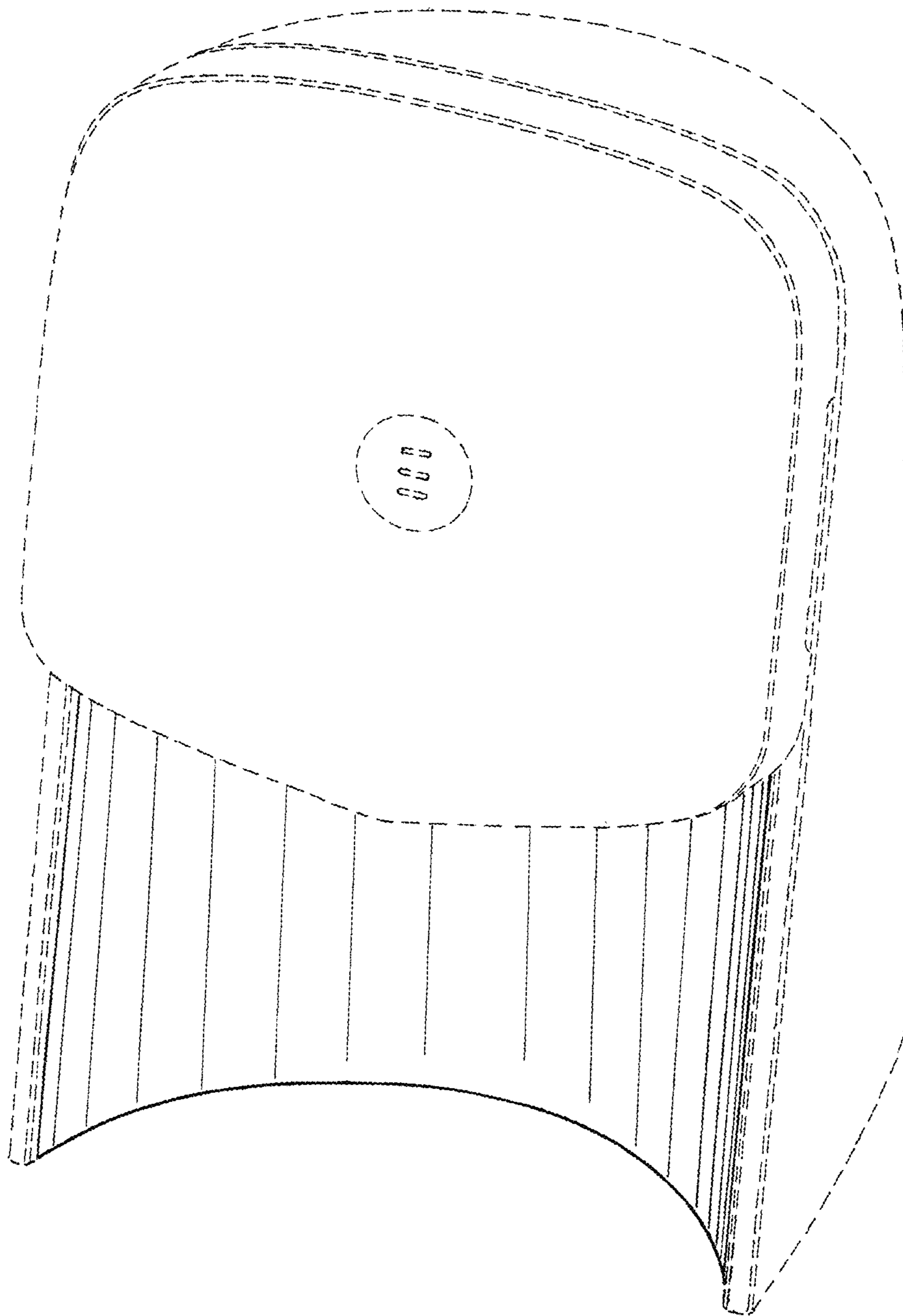
The ornamental design for a food press, as shown and described.

**DESCRIPTION**

FIG. 1 is a top, front, right side perspective view of a food press showing our new design;  
FIG. 2 is a bottom, front, right side perspective view thereof;  
FIG. 3 is a front elevation view thereof;  
FIG. 4 is a rear elevation view thereof;  
FIG. 5 is a left side elevation view thereof;  
FIG. 6 is a right side elevation view thereof;  
FIG. 7 is a top plan view thereof; and,  
FIG. 8 is a bottom plan view thereof.  
The dash-dash broken lines represent portions of the food press that form no part of the claimed design.

**1 Claim, 8 Drawing Sheets**





*FIG. 1*

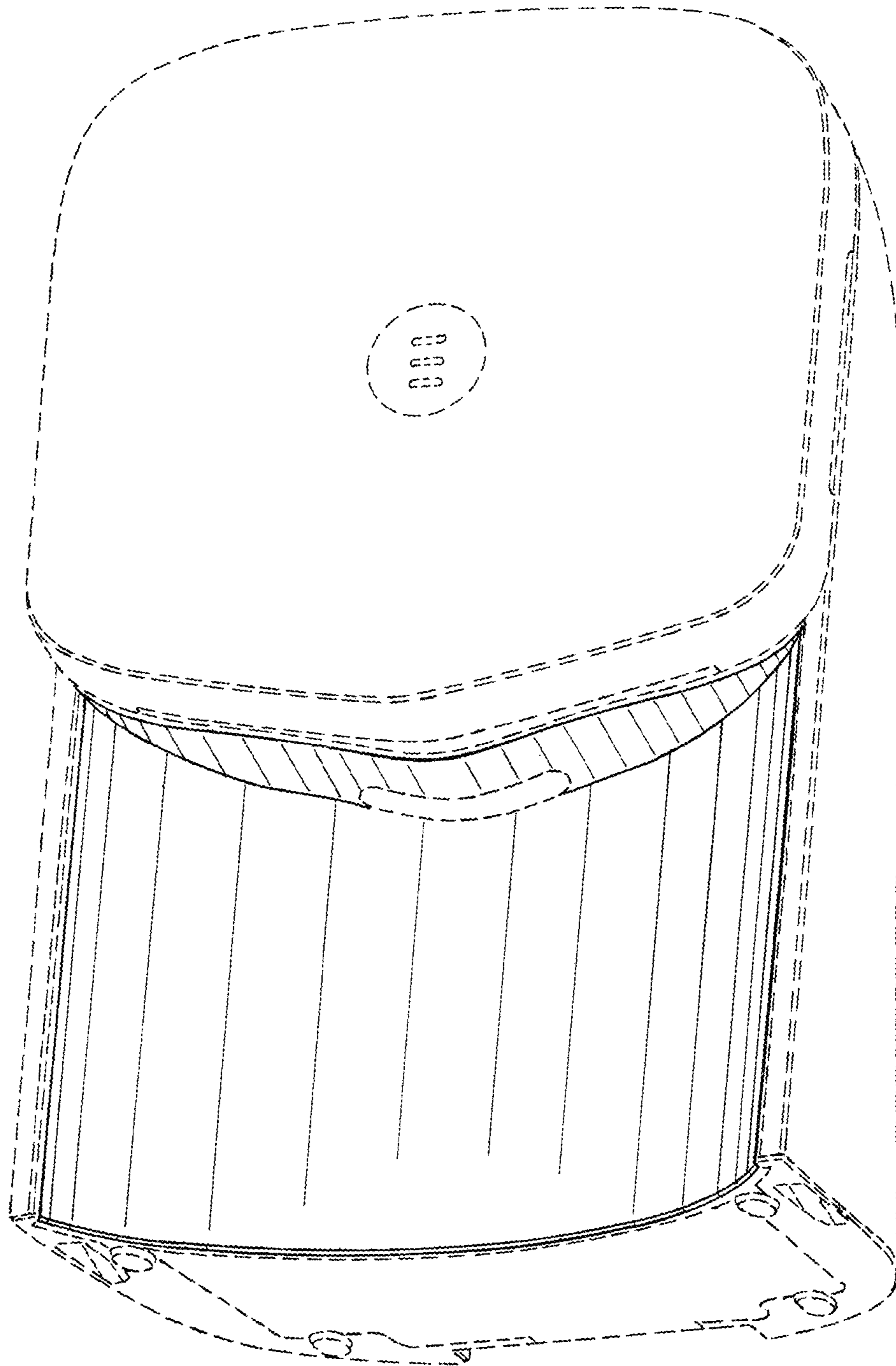
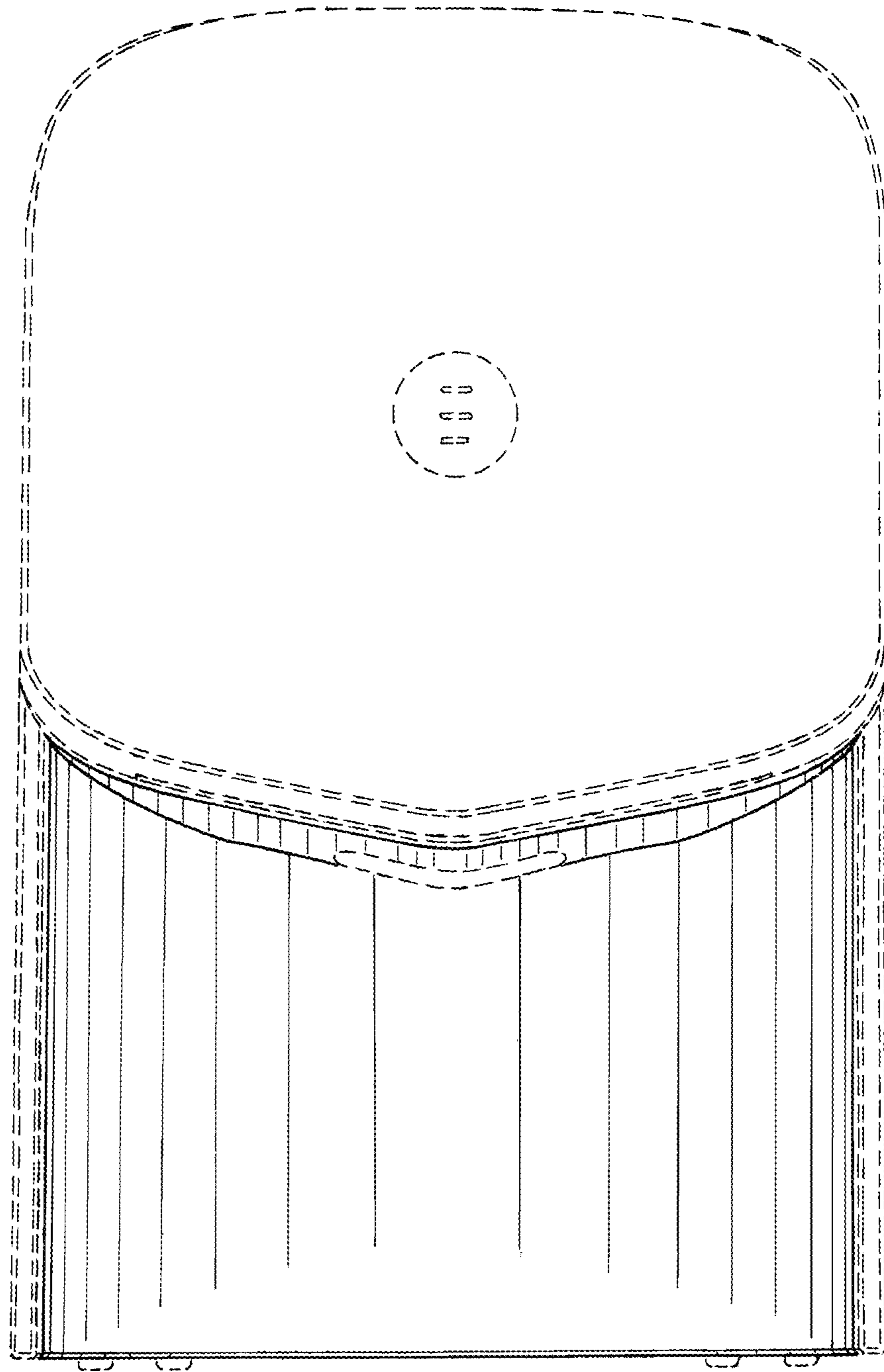
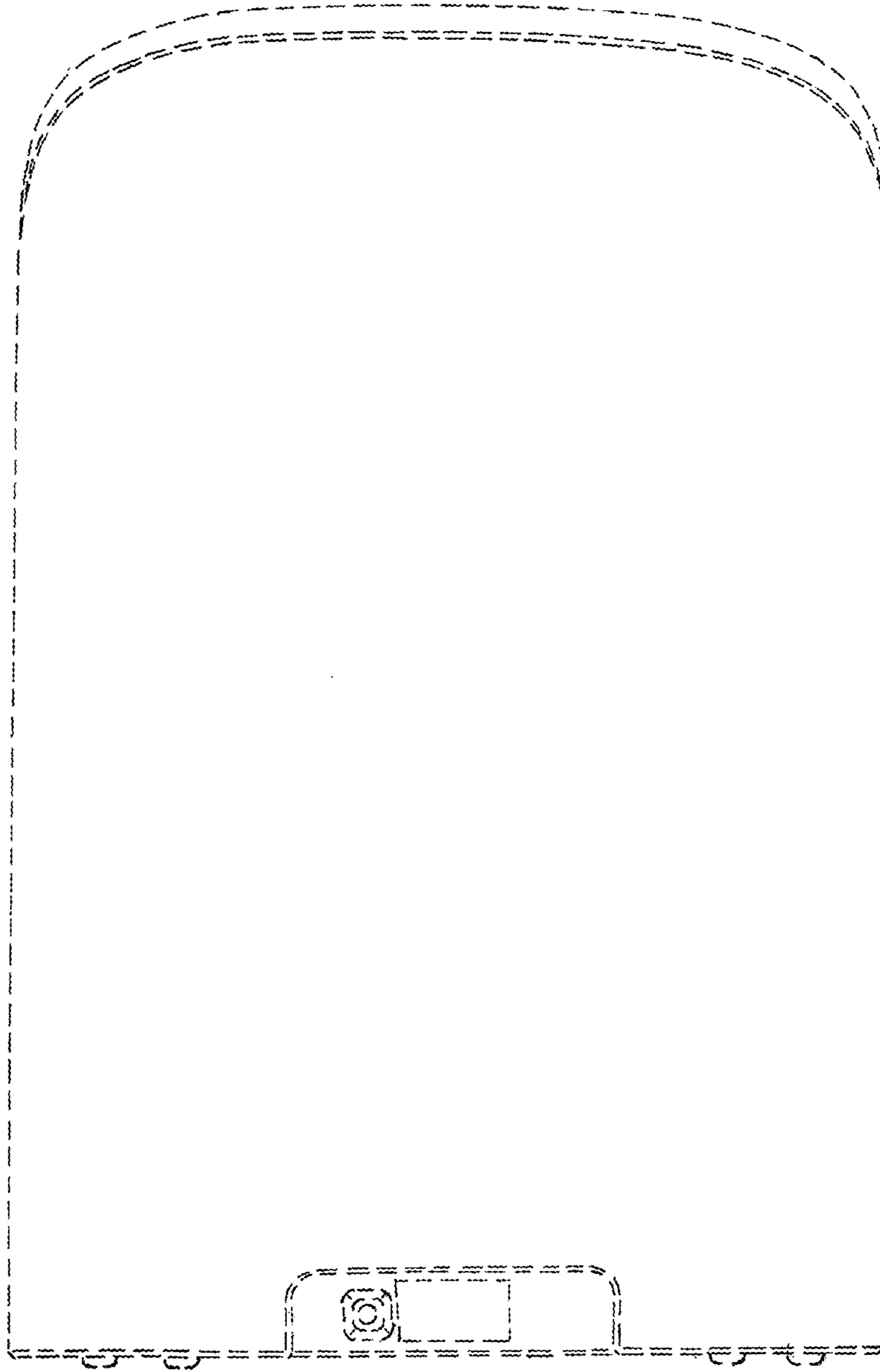


FIG. 2



*FIG. 3*



*FIG. 4*

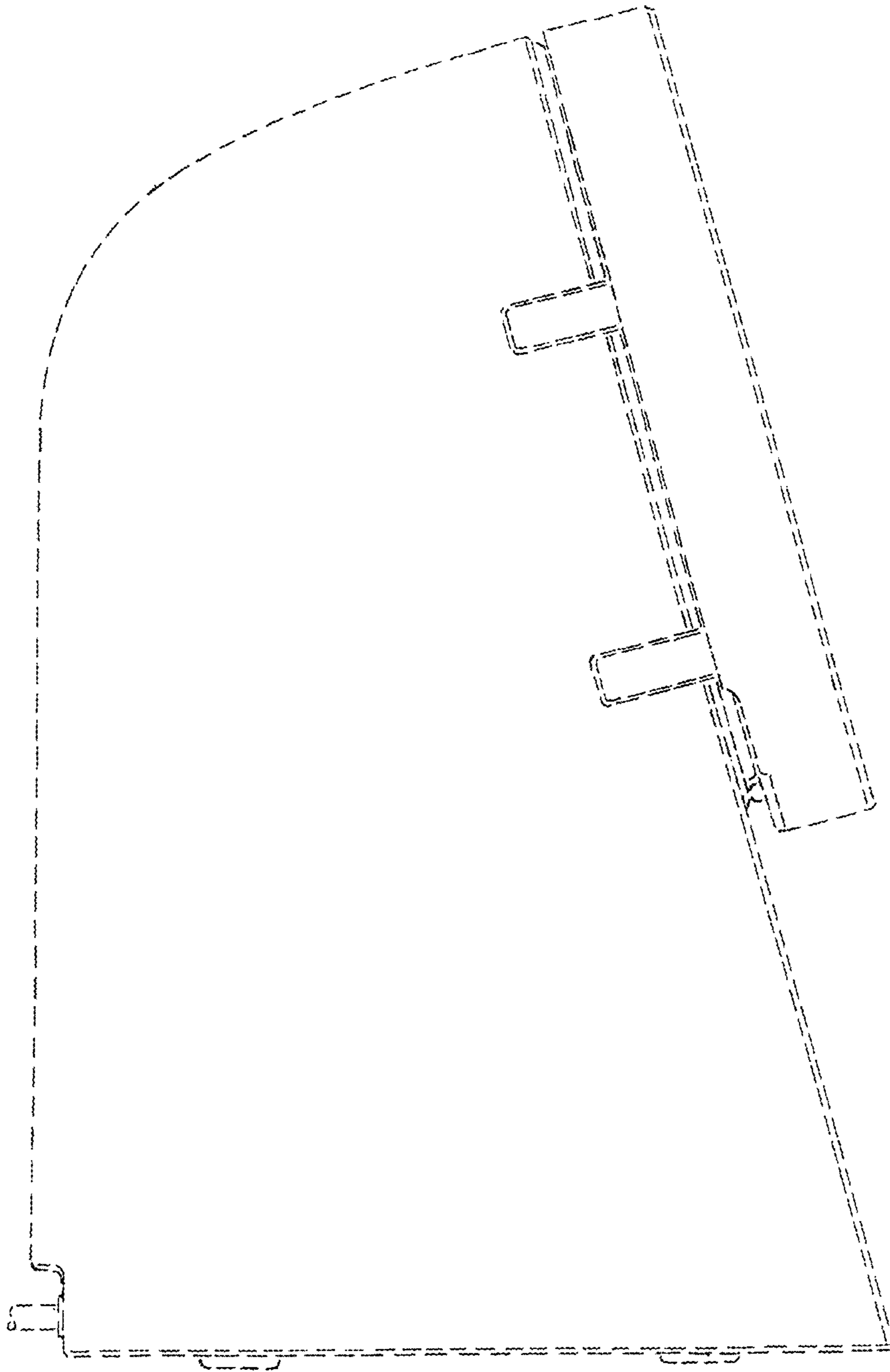


FIG. 5

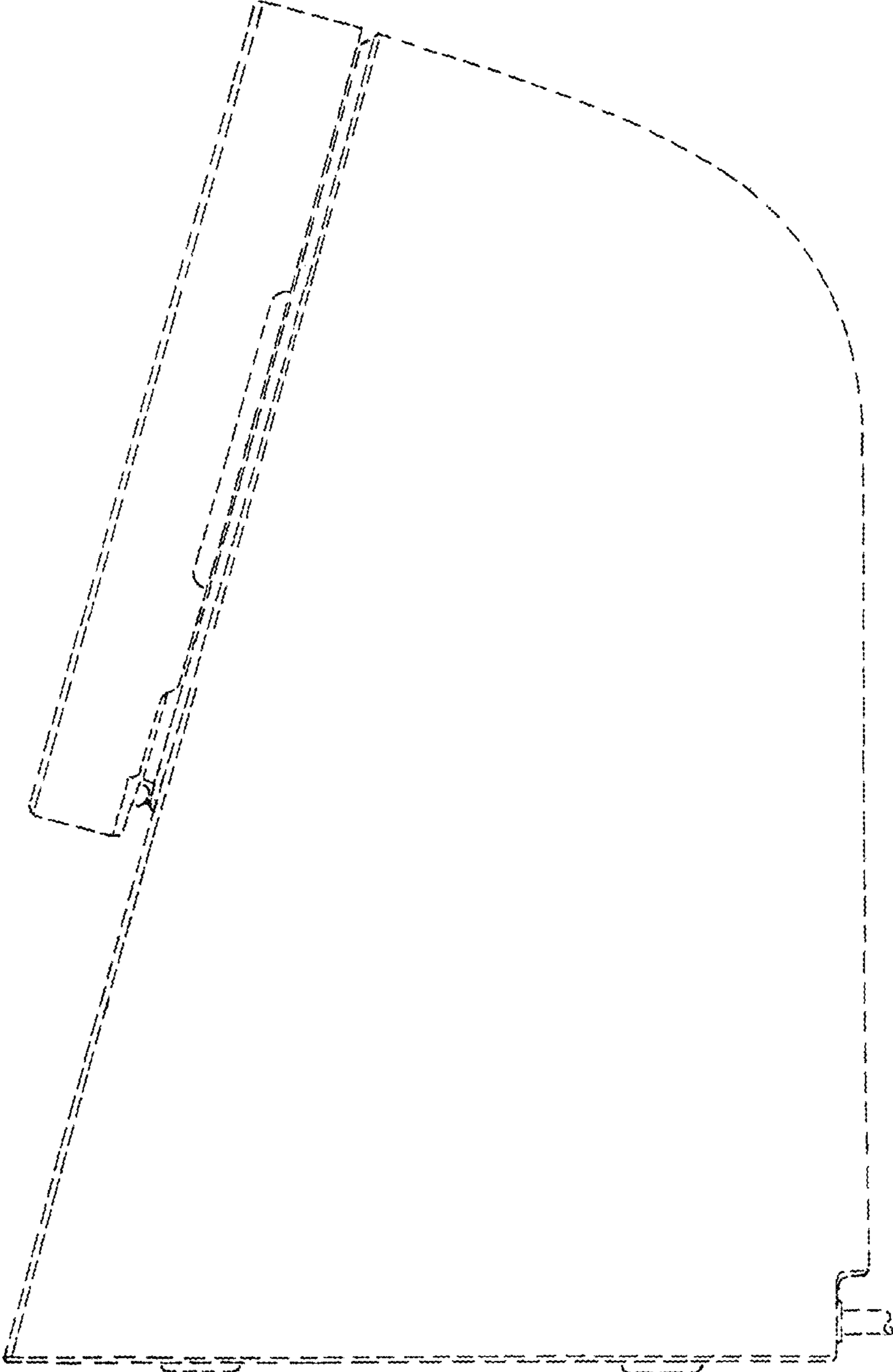


FIG. 6

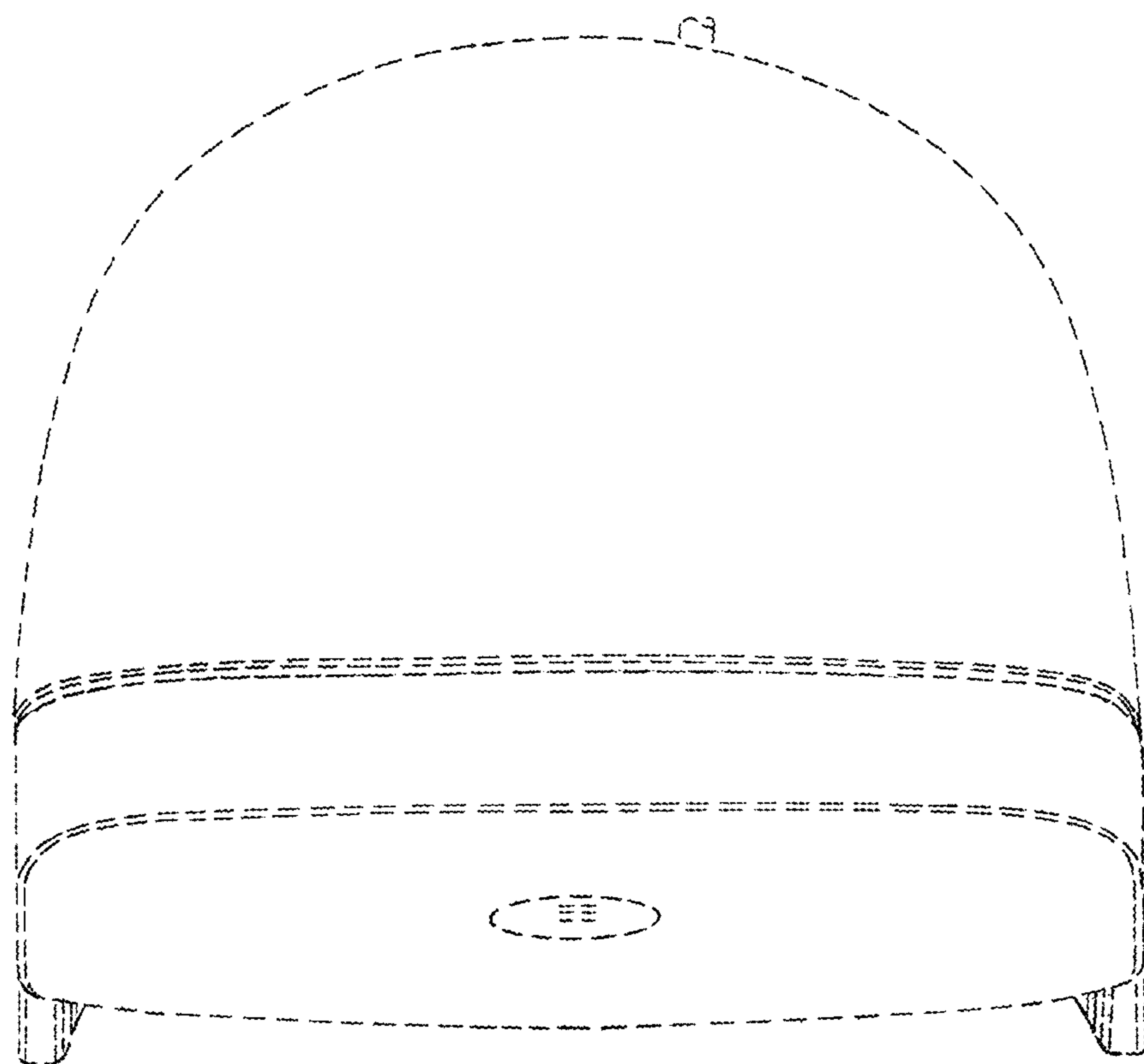


FIG. 7



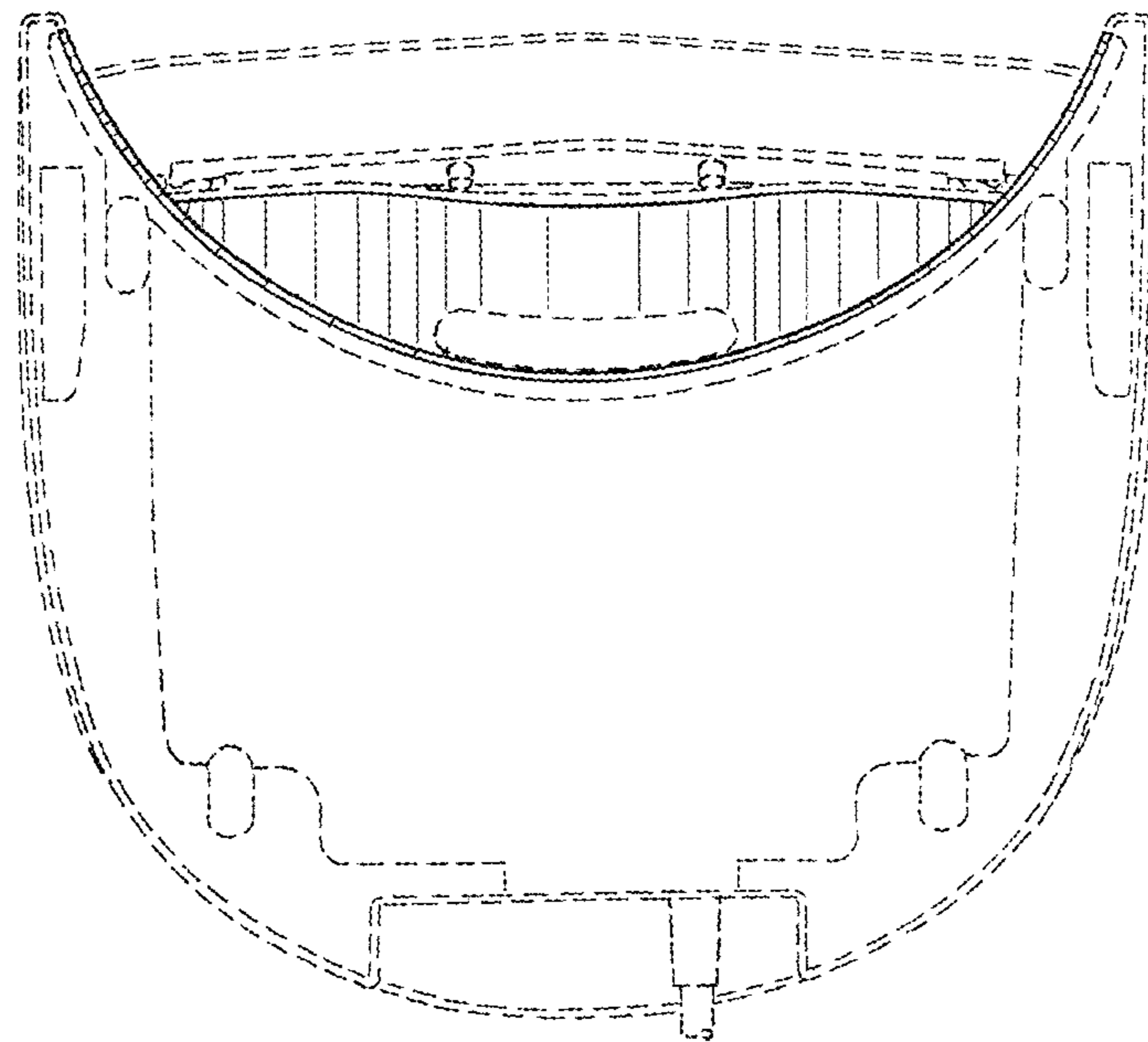


FIG. 8