



US00D796269S

(12) **United States Design Patent**  
**Grepper**

(10) **Patent No.:** **US D796,269 S**

(45) **Date of Patent:** **\*\* Sep. 5, 2017**

(54) **PLATES FOR INTEGRATION WITH COOLER**

(71) Applicant: **Ryan Grepper**, Portland, OR (US)

(72) Inventor: **Ryan Grepper**, Portland, OR (US)

(\*\*) Term: **14 Years**

(21) Appl. No.: **29/524,697**

(22) Filed: **Apr. 22, 2015**

(51) **LOC (10) Cl.** ..... **07-01**

(52) **U.S. Cl.**  
USPC ..... **D7/586**

(58) **Field of Classification Search**  
USPC ..... D7/605, 586, 500, 357; 220/592.2  
CPC ..... A47G 23/06; A47G 19/02; A47G 19/12;  
A47G 19/06; B65D 1/34  
See application file for complete search history.

(56) **References Cited**

**U.S. PATENT DOCUMENTS**

3,749,278	A *	7/1973	von Boch-Galhau .	A47G 19/00
				206/501
3,850,114	A *	11/1974	Ganteaume .....	A47B 13/16
				108/38
D390,752	S *	2/1998	DeCoster .....	D7/505
D432,429	S *	10/2000	Poullain .....	D9/516
D475,897	S *	6/2003	Zettle .....	D7/538
D514,442	S *	2/2006	Lowe .....	D7/505
D514,889	S *	2/2006	Wellner .....	D7/584

D574,188	S *	8/2008	Beny .....	D7/500
D635,819	S *	4/2011	Molayem .....	D7/354
D664,010	S *	7/2012	Goode .....	D7/610
D695,058	S *	12/2013	Garman .....	D7/354
D697,341	S *	1/2014	Fakahany .....	D6/677.3
D706,065	S *	6/2014	Wilson .....	D6/677.3
D749,362	S *	2/2016	Holding .....	D7/505
D749,890	S *	2/2016	Person .....	D7/354
D767,831	S *	9/2016	Holterhaus .....	D30/160

\* cited by examiner

*Primary Examiner* — Cynthia Underwood

(74) *Attorney, Agent, or Firm* — Marger Johnson

(57) **CLAIM**

The ornamental design for a plates for integration with cooler, as shown and described.

**DESCRIPTION**

FIG. 1 is a front, top, right perspective view of plates for integration with cooler showing the new design;

FIG. 2 is a front elevation view thereof;

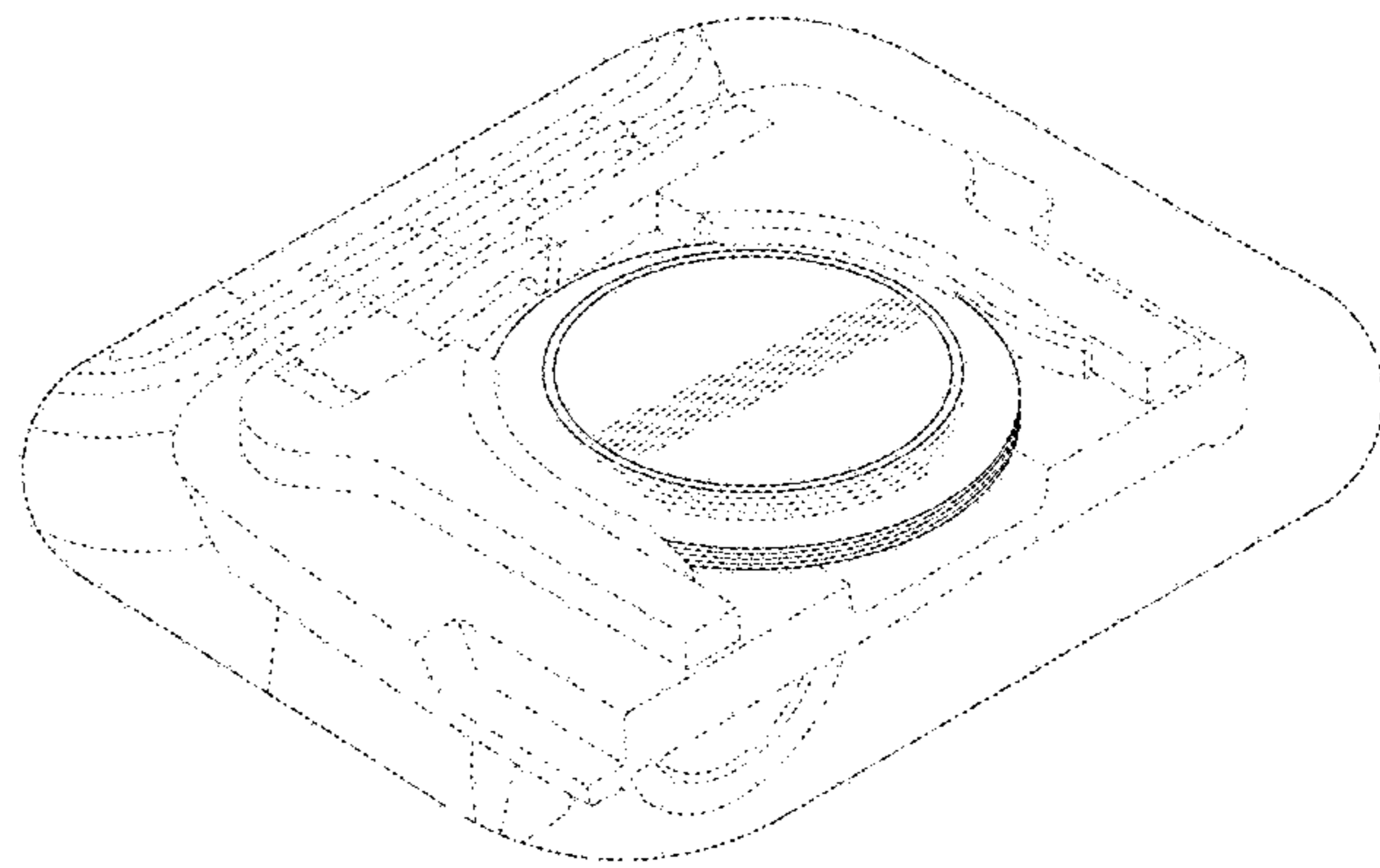
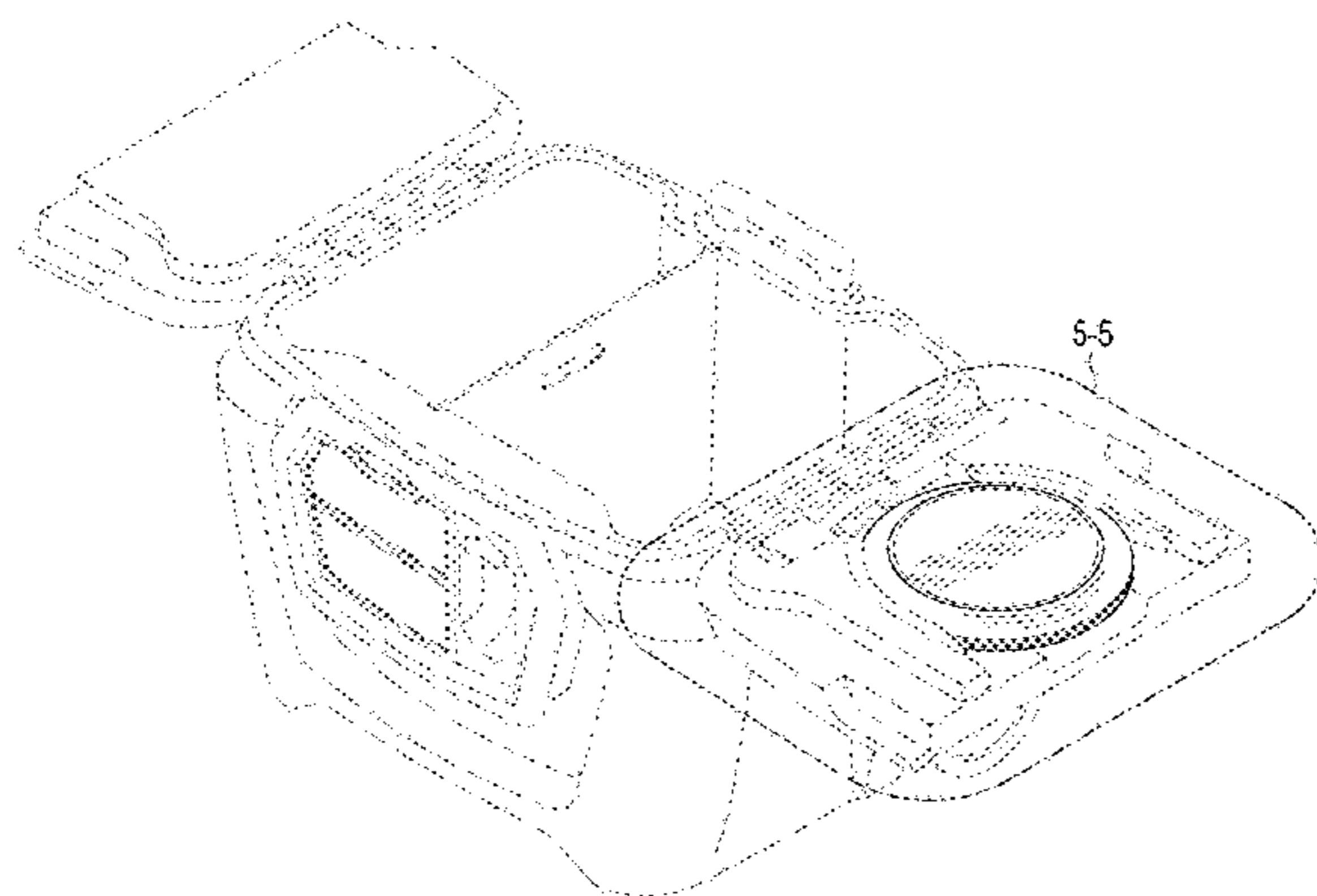
FIG. 3 is a right side elevation view thereof, the left side being a mirror image thereof;

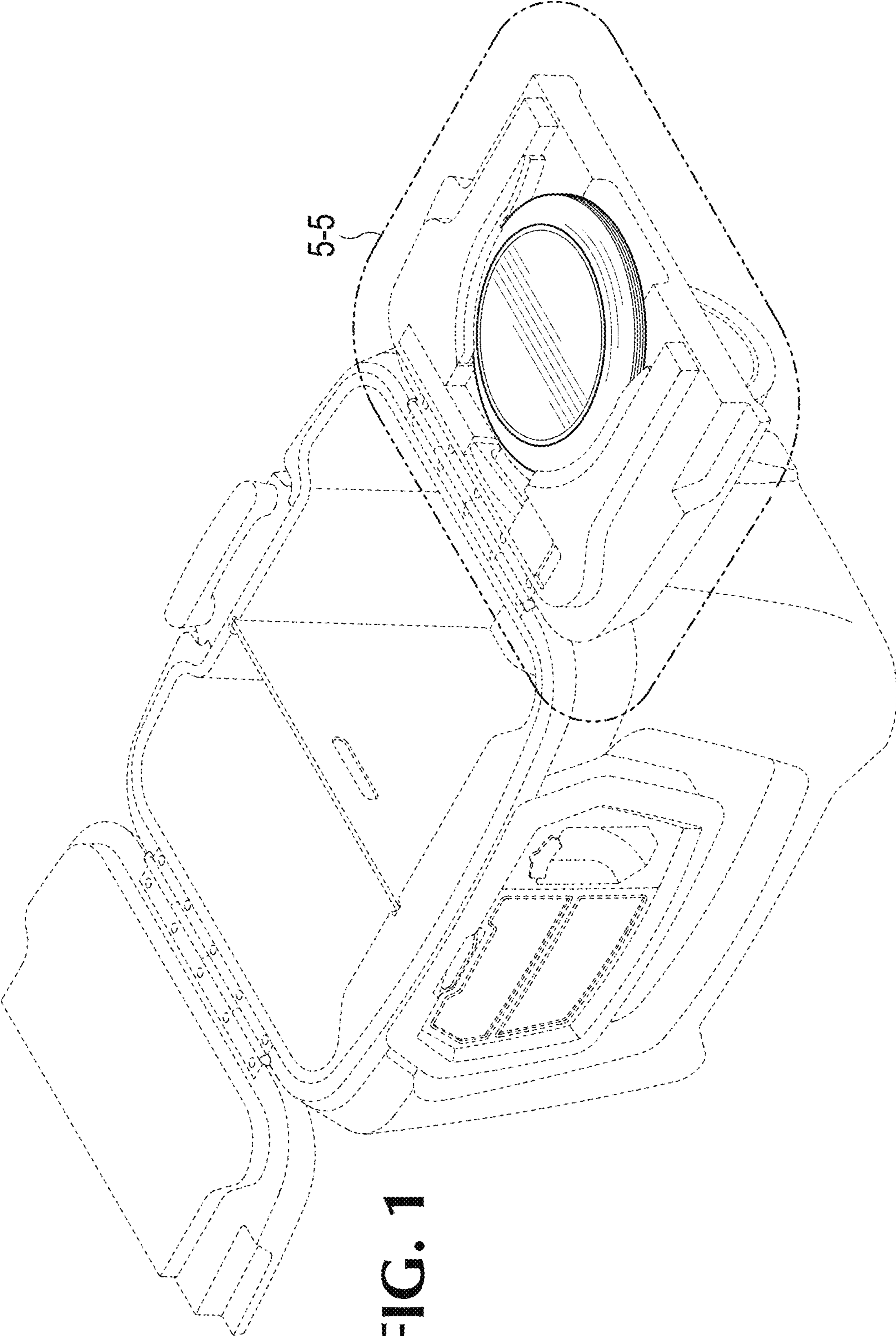
FIG. 4 is a top view thereof; and,

FIG. 5 is a perspective view thereof taken from area 5-5 on FIG. 1 shown enlarged and broken away.

The broken lines in the drawings illustrate portions of the plates for integration with cooler which form no part of the claimed design.

**1 Claim, 5 Drawing Sheets**





**FIG. 1**

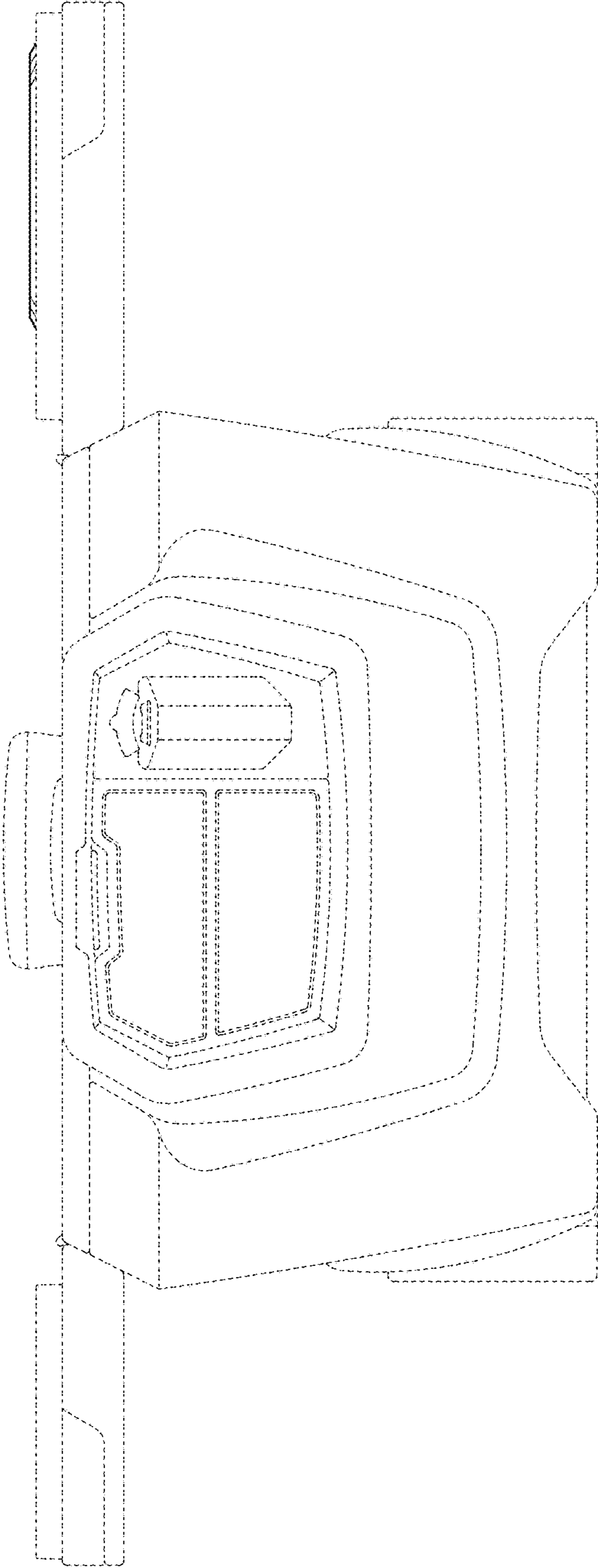
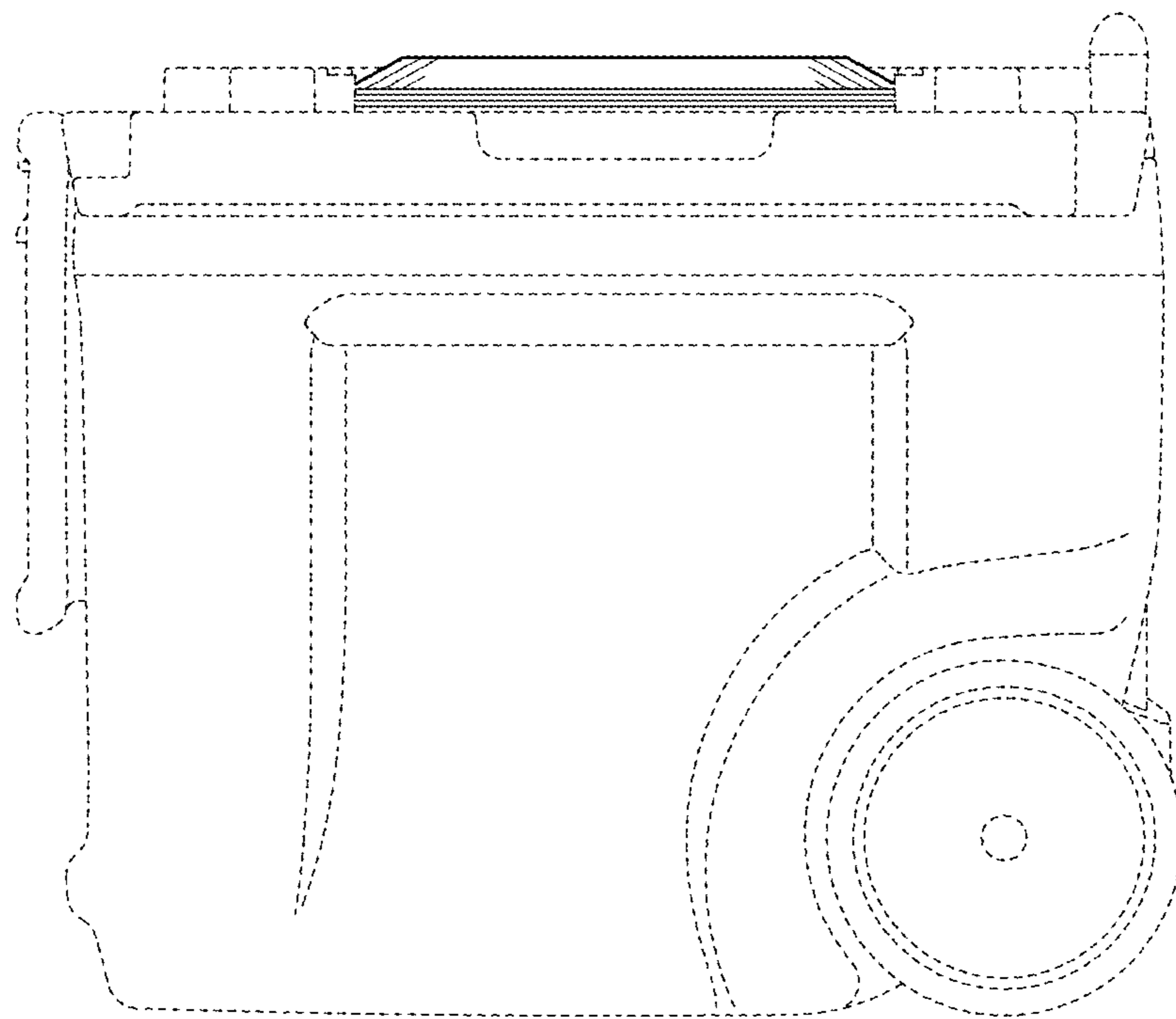


FIG. 2



**FIG. 3**

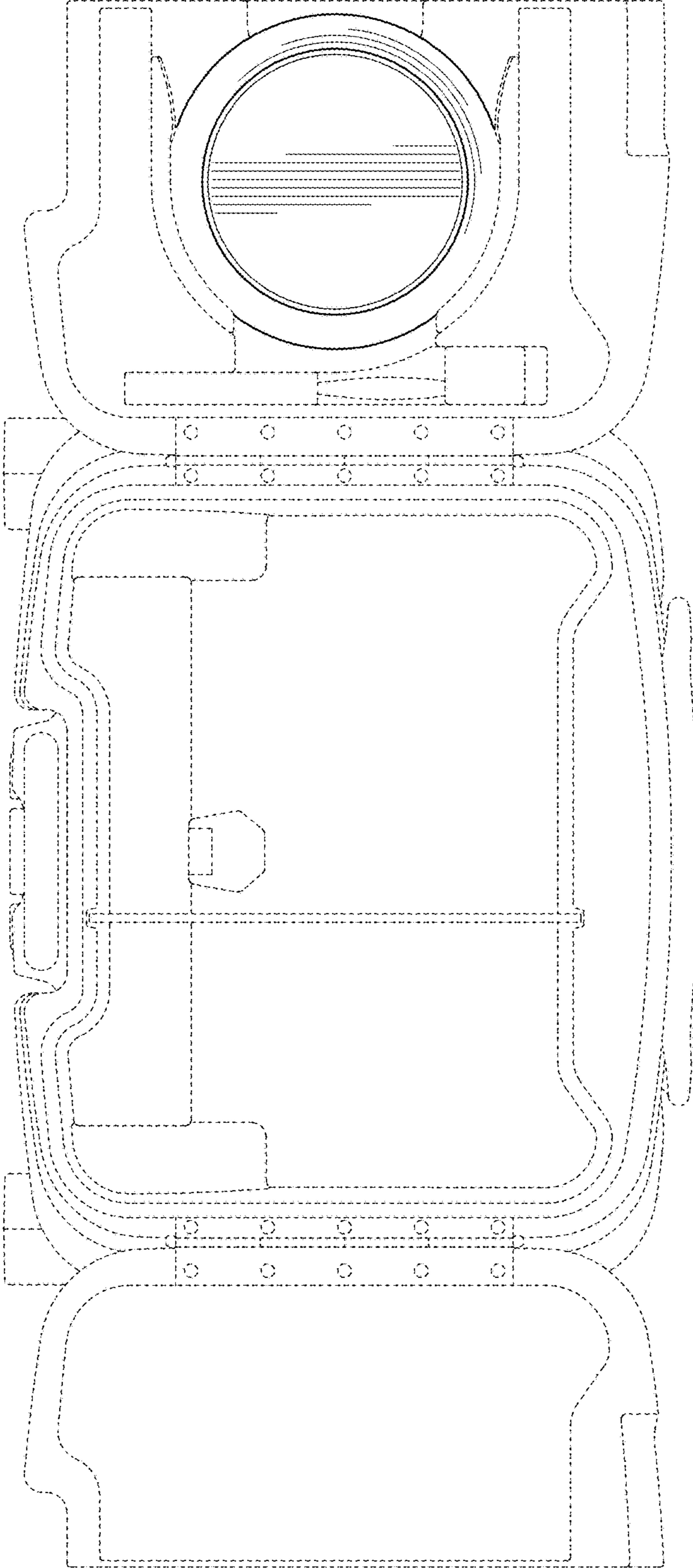


FIG. 4

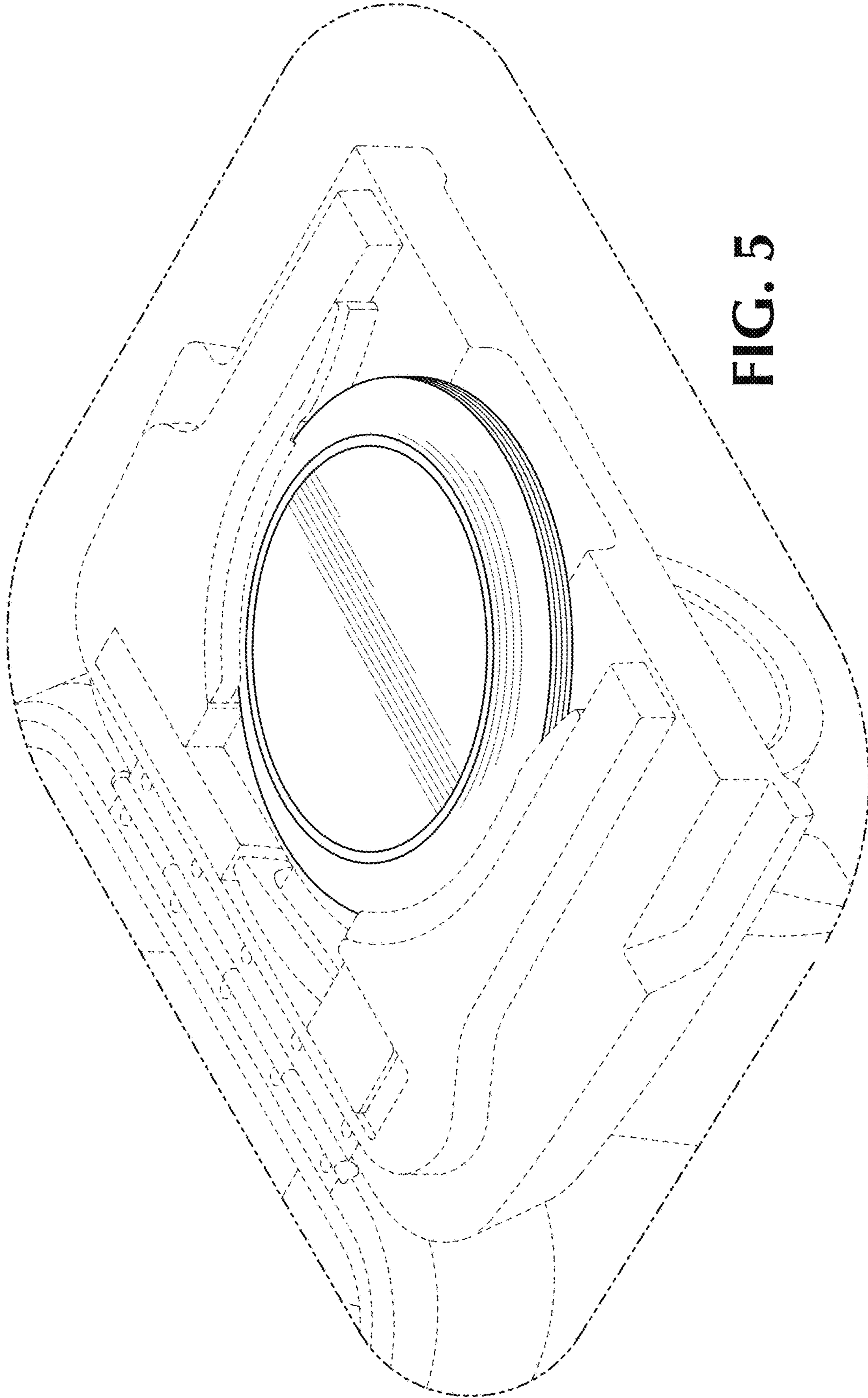


FIG. 5