



US00D796267S

(12) **United States Design Patent** (10) **Patent No.:** **US D796,267 S**
Burns (45) **Date of Patent:** **** Sep. 5, 2017**

(54) **ROUND ATMOSPHERIC DISH**
(71) Applicant: **Duncan Burns**, Santa Monica, CA (US)
(72) Inventor: **Duncan Burns**, Santa Monica, CA (US)
(73) Assignee: **Duncan Burns**, Santa Monica, CA (US)
(**) Term: **15 Years**

D710,157 S * 8/2014 Goodman D7/610
D720,961 S * 1/2015 Gabriel A47G 19/06
D732,345 S * 6/2015 Barbieri D7/502
D742,216 S * 11/2015 Abbott D9/424
D766,715 S * 9/2016 Buck D9/432
D780,573 S * 3/2017 Son D9/425
2016/0176614 A1* 6/2016 Mittal A47J 36/027
219/725

(21) Appl. No.: **29/550,871**
(22) Filed: **Jan. 7, 2016**
(51) **LOC (10) Cl.** **07-01**
(52) **U.S. Cl.**
USPC **D7/540**
(58) **Field of Classification Search**
USPC D7/538, 500, 505, 539, 543, 57, 581,
D7/629, 540, 541, 555, 603, 602, 609;
D9/425, 424, 428, 426, 737, 761;
220/810, 270, 326; 229/406
CPC A47G 21/001; B65D 43/162; B65D
43/0249; B65D 43/26
See application file for complete search history.

* cited by examiner

Primary Examiner — Cynthia Underwood
(74) *Attorney, Agent, or Firm* — Stefan J. Kirchanski;
Zuber Lawler & Del Duca LLP

(57) **CLAIM**

The ornamental design for a round atmospheric dish, as shown and described.

DESCRIPTION

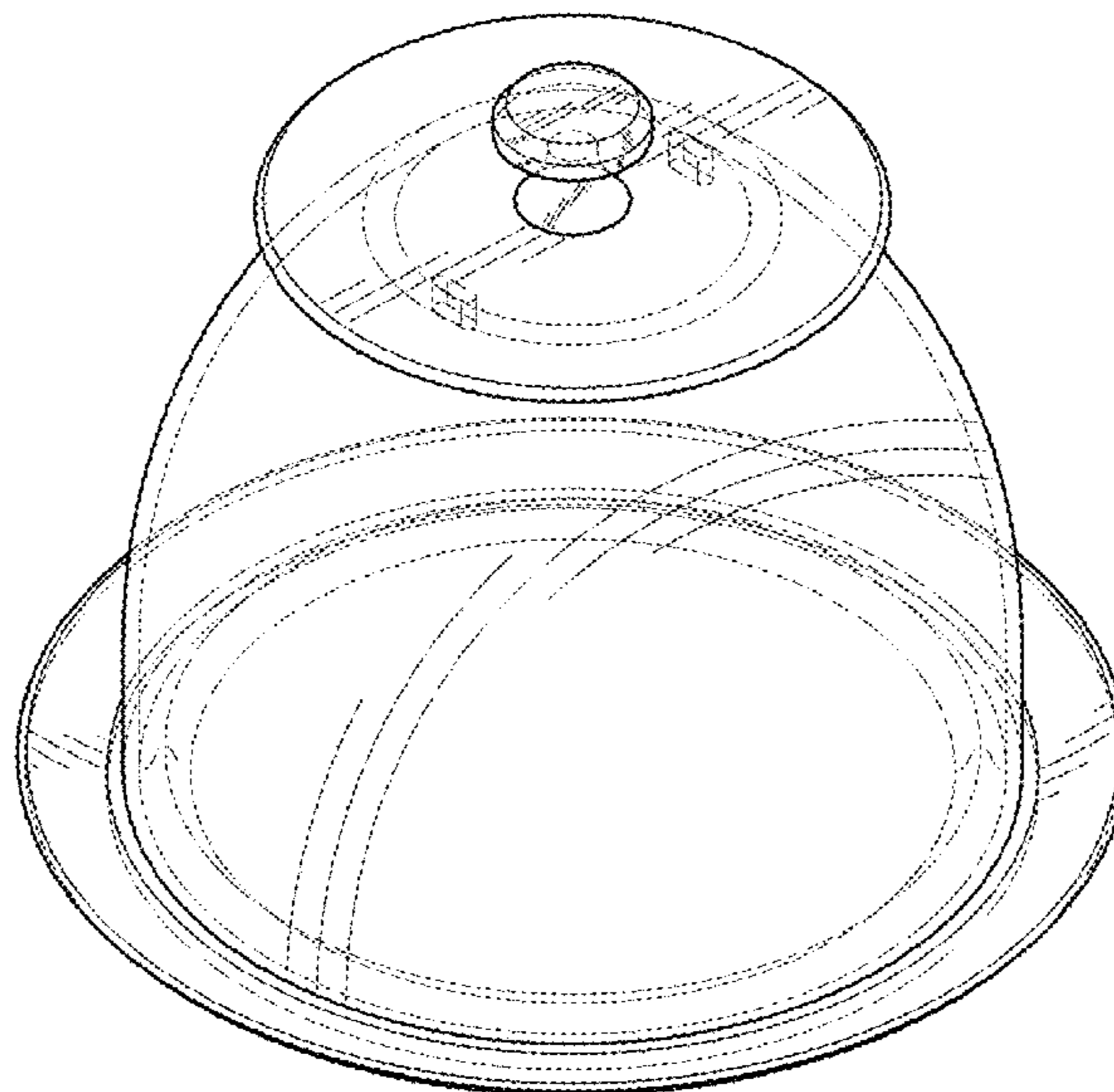
FIG. 1 is a top perspective view of a round atmospheric dish showing my design;
FIG. 2 is a front view of the round atmospheric dish of FIG. 1;
FIG. 3 is a back view of the round atmospheric dish of FIG. 1;
FIG. 4 is a left side view of the round atmospheric dish of FIG. 1;
FIG. 5 is a right side view of the round atmospheric dish of FIG. 1;
FIG. 6 is a top view of the round atmospheric dish of FIG. 1; and,
FIG. 7 is a bottom view of the round atmospheric dish of FIG. 1.

(56) **References Cited**

U.S. PATENT DOCUMENTS

2,004,449 A * 6/1935 Stanley B65D 43/0212
206/819
D240,883 S * 8/1976 Press D7/540
D284,437 S * 7/1986 Zieff D7/502
D327,201 S * 6/1992 Gecchelin D7/538
D375,437 S * 11/1996 Joergensen D7/502
D405,651 S * 2/1999 Schmidt D7/610
D484,005 S * 12/2003 Levien D7/610
D598,740 S * 8/2009 Auer D9/424
8,215,485 B2 * 7/2012 Maroofian B65D 75/24
206/445
D689,334 S * 9/2013 Krueger D7/538

1 Claim, 7 Drawing Sheets



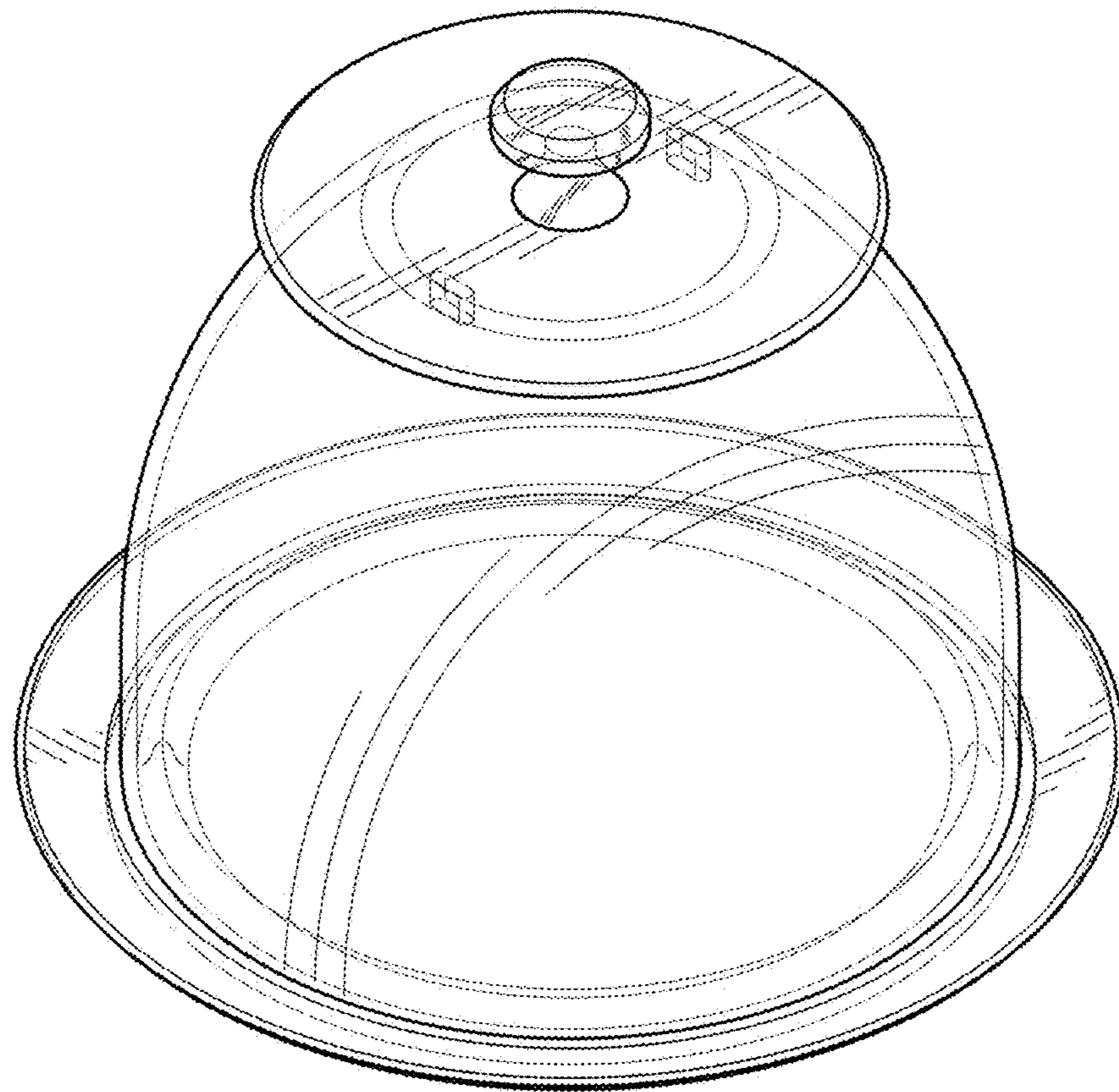


FIG. 1

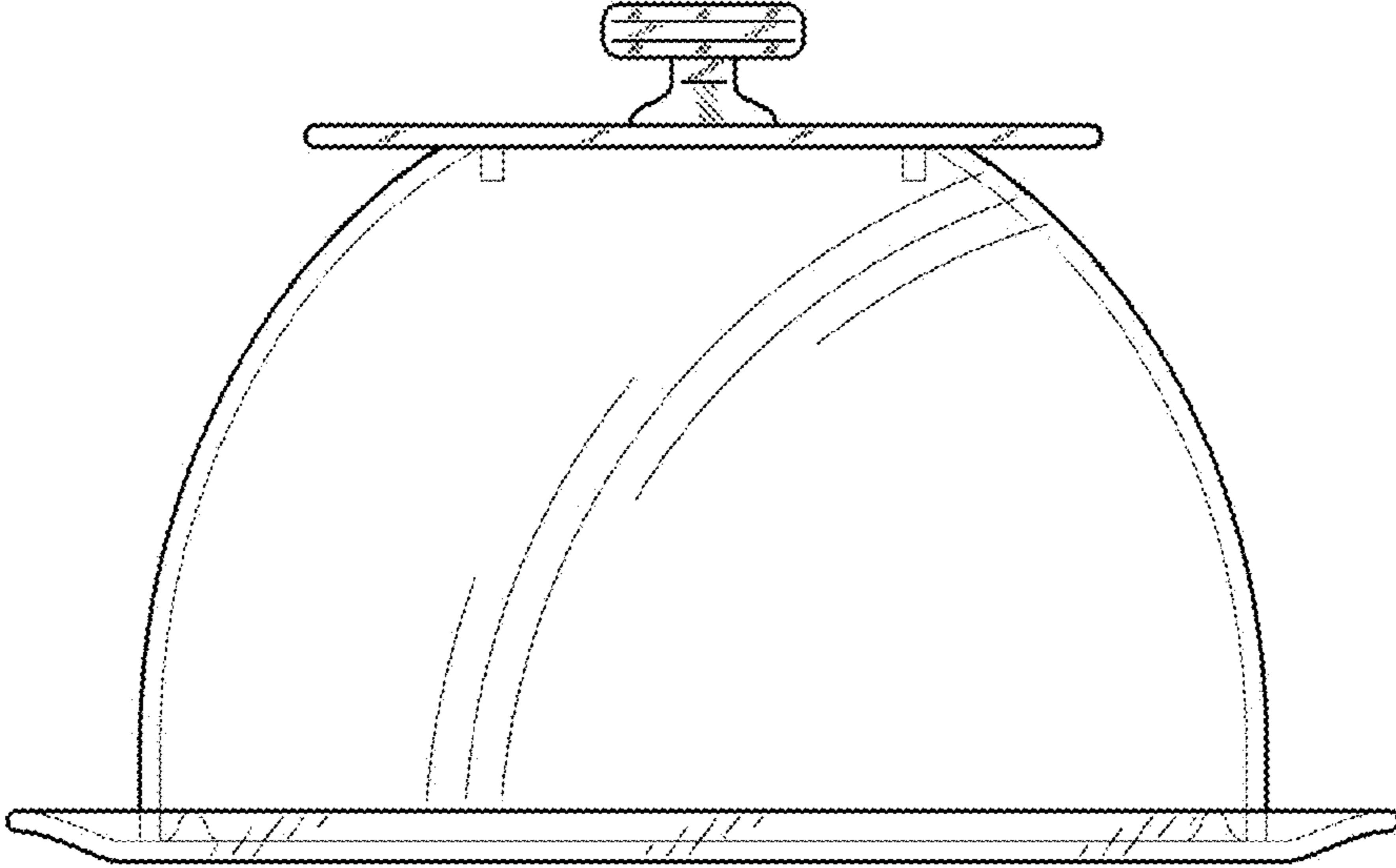


FIG. 2

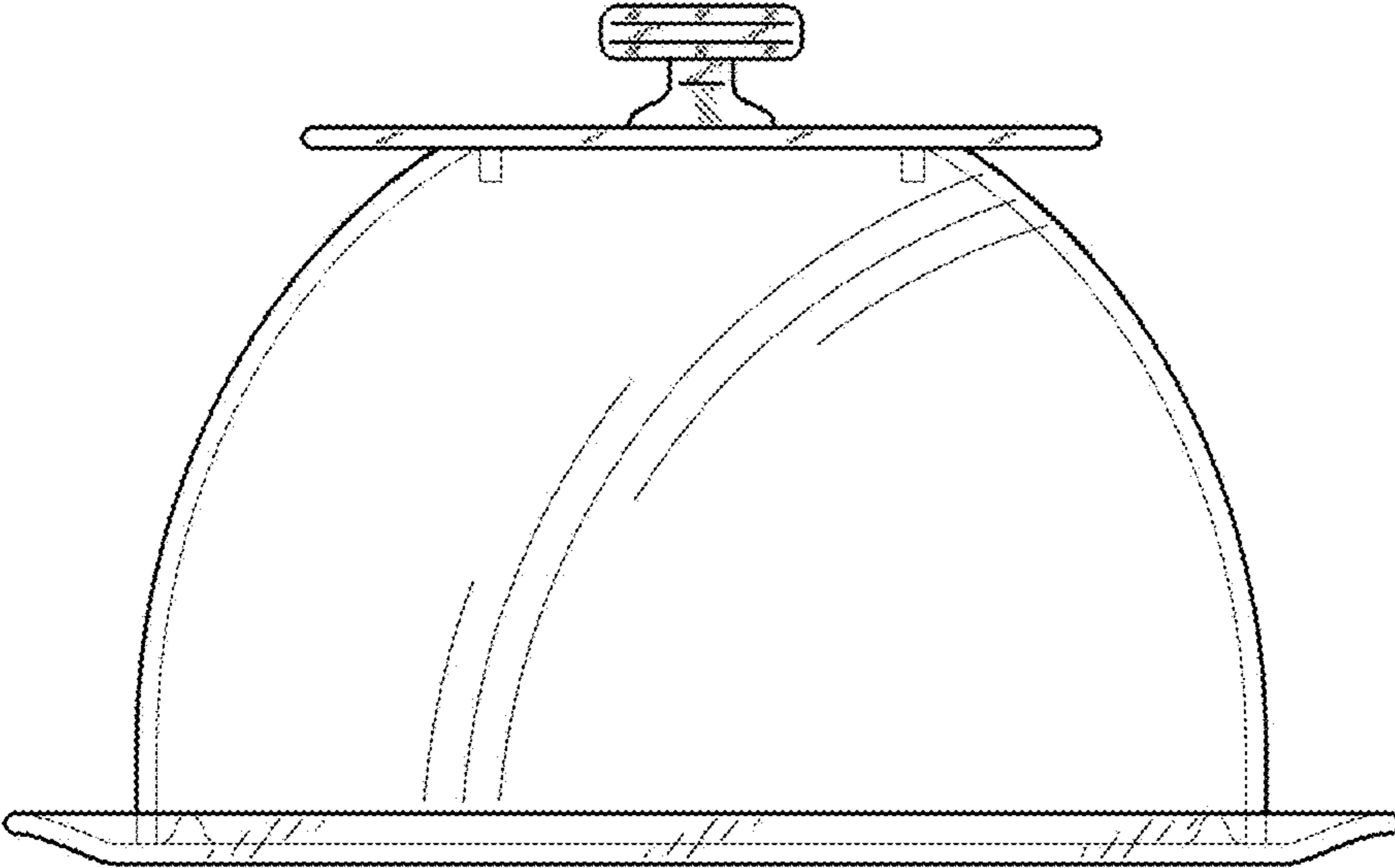


FIG. 3

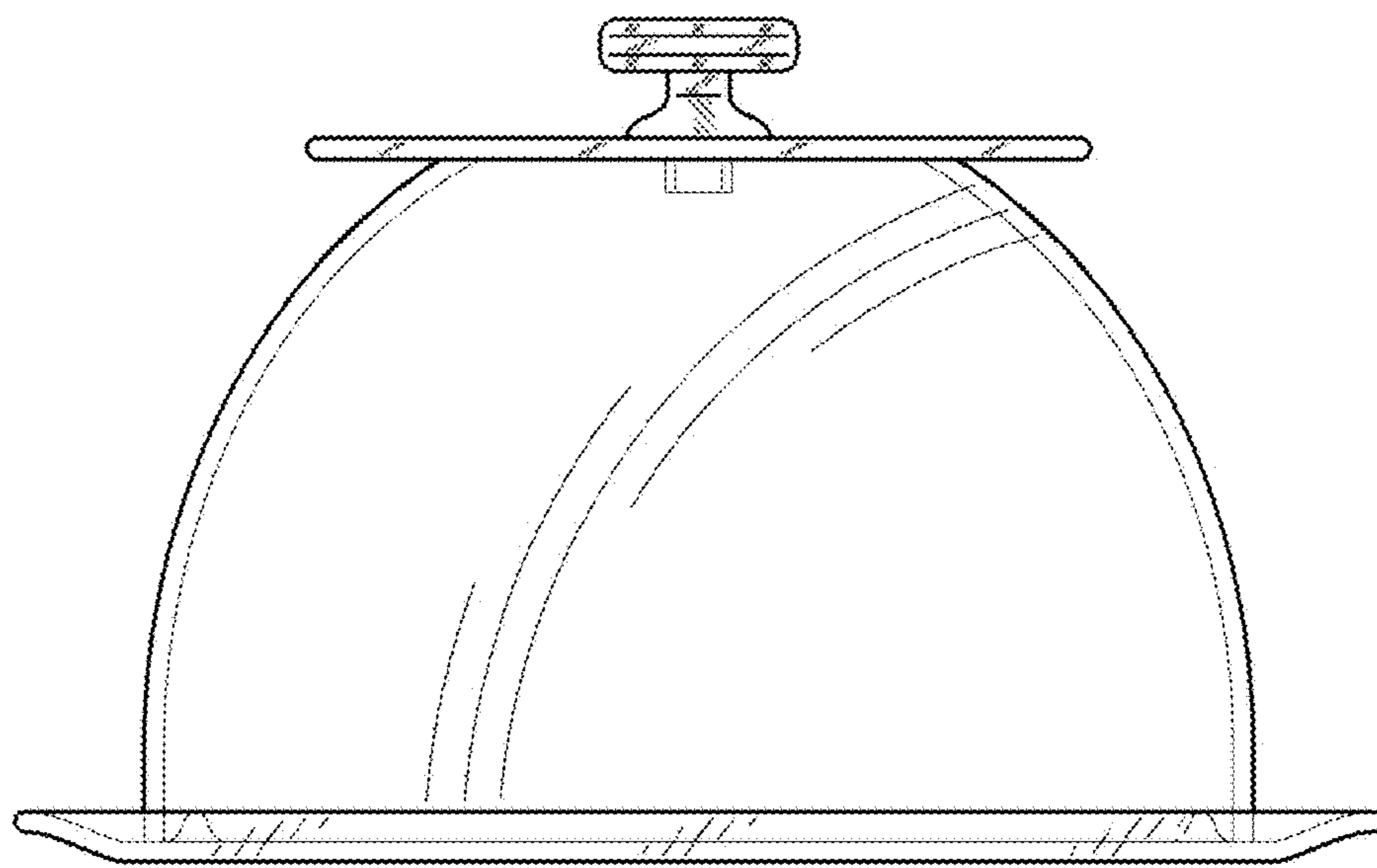


FIG. 4

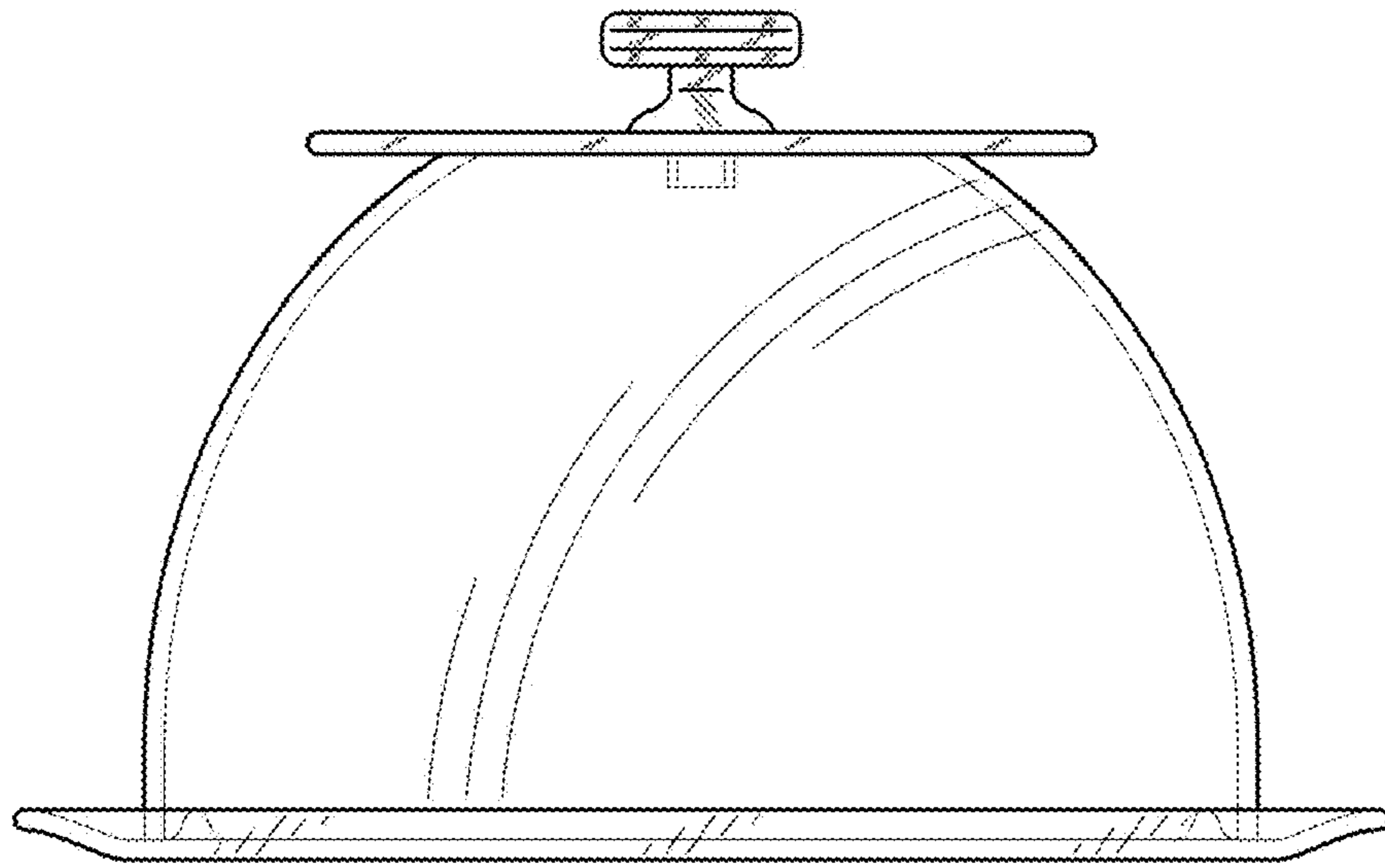


FIG. 5

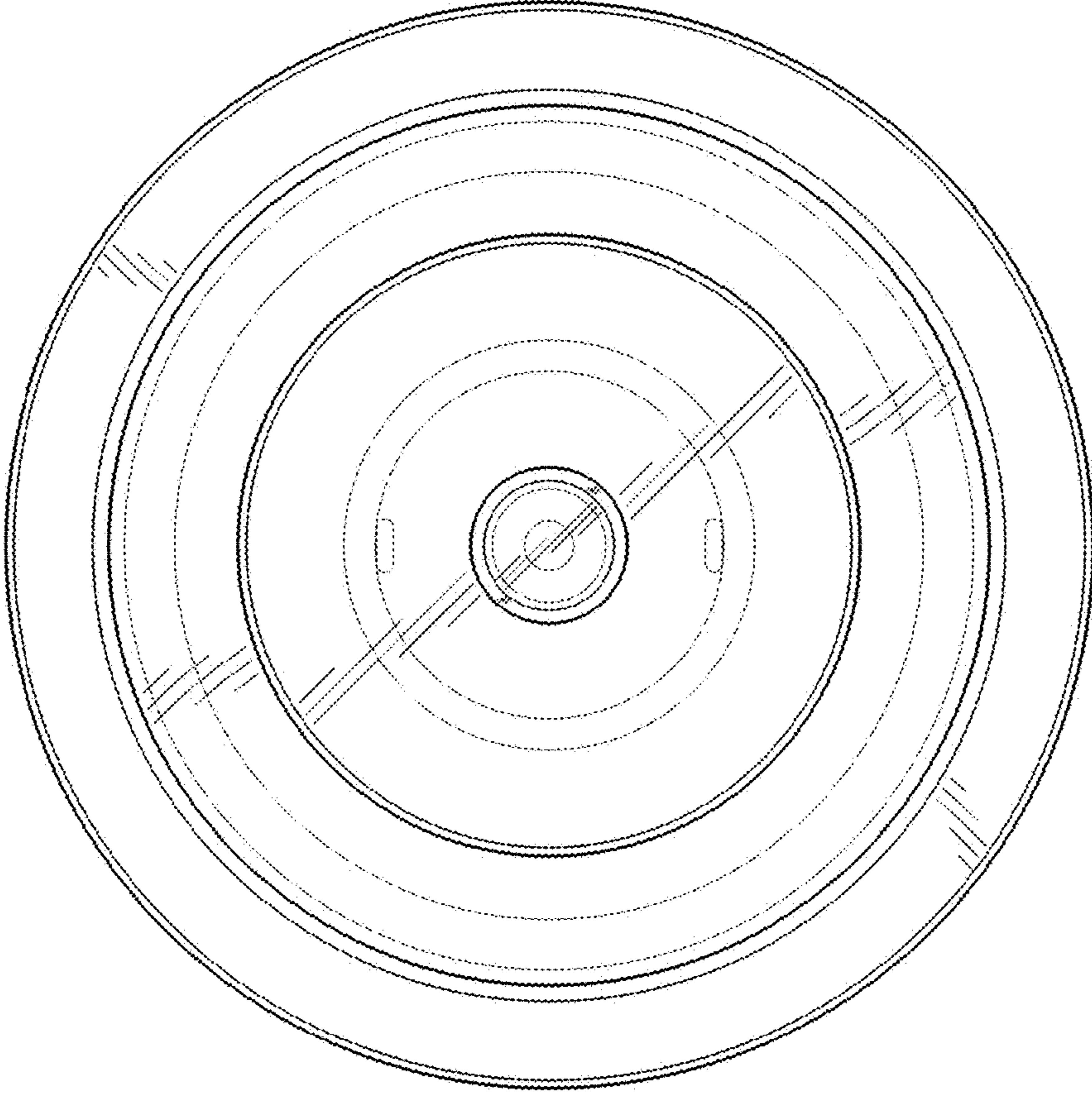


FIG. 6

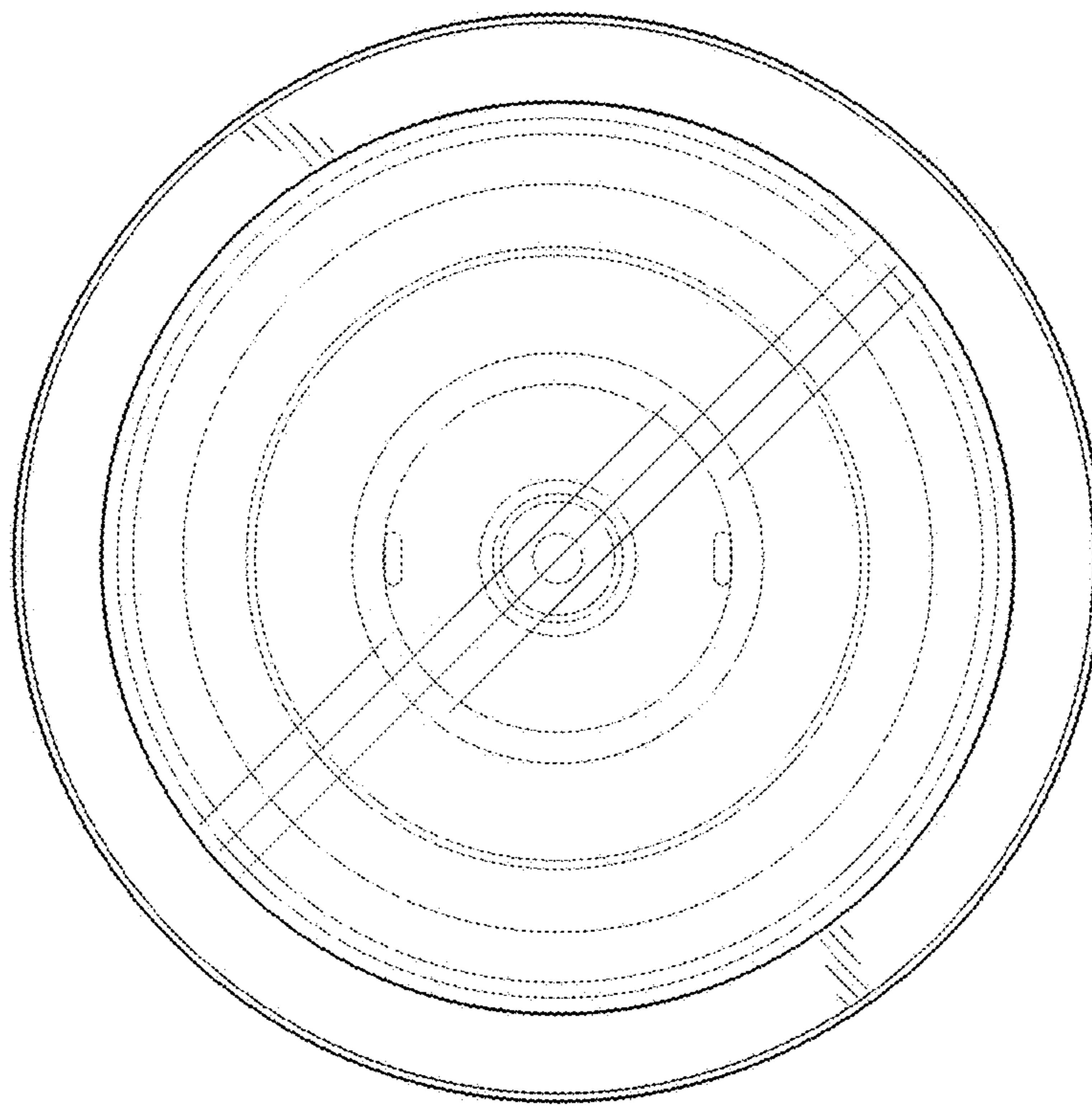


FIG. 7