



US00D796266S

(12) **United States Design Patent** (10) **Patent No.:** **US D796,266 S**
Croft et al. (45) **Date of Patent:** **** Sep. 5, 2017**

(54) **CONTAINER AND LID** 8,733,550 B2 * 5/2014 Harvey B65D 53/02
206/508
(71) Applicant: **RUBBERMAID INCORPORATED,** D708,913 S * 7/2014 Ng D7/629
Huntersville, NC (US) D722,832 S * 2/2015 Ra D7/602
D730,699 S * 6/2015 Mok D7/602
(72) Inventors: **William F. Croft,** Mooresville, NC D751,349 S * 3/2016 Carlson D7/629
(US); **Evan Allen Fulford,** Portage, MI D758,805 S * 6/2016 Myoung D7/629
(US); **William Hart,** Cornelius, NC D763,629 S * 8/2016 Swartz D7/629
(US); **Gianna Lint,** Cornelius, NC (US) D777,530 S * 1/2017 Marret D7/629
D780,534 S * 3/2017 Oliver D7/629
2005/0006390 A1 * 1/2005 Wang B65D 45/30
220/326
(73) Assignee: **RUBBERMAID INCORPORATED,** 2005/0035125 A1 * 2/2005 Bae B65D 43/0218
Huntersville, NC (US) 220/326
2014/0103033 A1 * 4/2014 Beckman B65D 25/04
220/4.01
(**) Term: **15 Years**

(21) Appl. No.: **29/557,069**

(22) Filed: **Mar. 4, 2016**

(51) **LOC (10) Cl.** **07-01**

(52) **U.S. Cl.**
USPC **D7/538**

(58) **Field of Classification Search**
USPC D7/538, 500, 505, 539, 543, 57, 581,
D7/629, 540, 541, 555, 603, 602, 609;
D9/425, 424, 428, 426, 737, 761;
220/810, 270, 326; 229/406
CPC A47G 21/001; B65D 43/162; B65D
43/0249; B65D 43/26
See application file for complete search history.

(56) **References Cited**

U.S. PATENT DOCUMENTS

D115,160 S * 6/1939 Stopa D15/89
D569,243 S * 5/2008 Kidd D9/425
D593,369 S * 6/2009 Green D7/602
D598,740 S * 8/2009 Auer D9/424
D642,868 S * 8/2011 Shah D7/538
D644,068 S * 8/2011 Usrey D7/538
D696,075 S * 12/2013 Mashike D7/605

* cited by examiner

Primary Examiner — Cynthia Underwood
(74) *Attorney, Agent, or Firm* — Marshall, Gerstein & Borun LLP

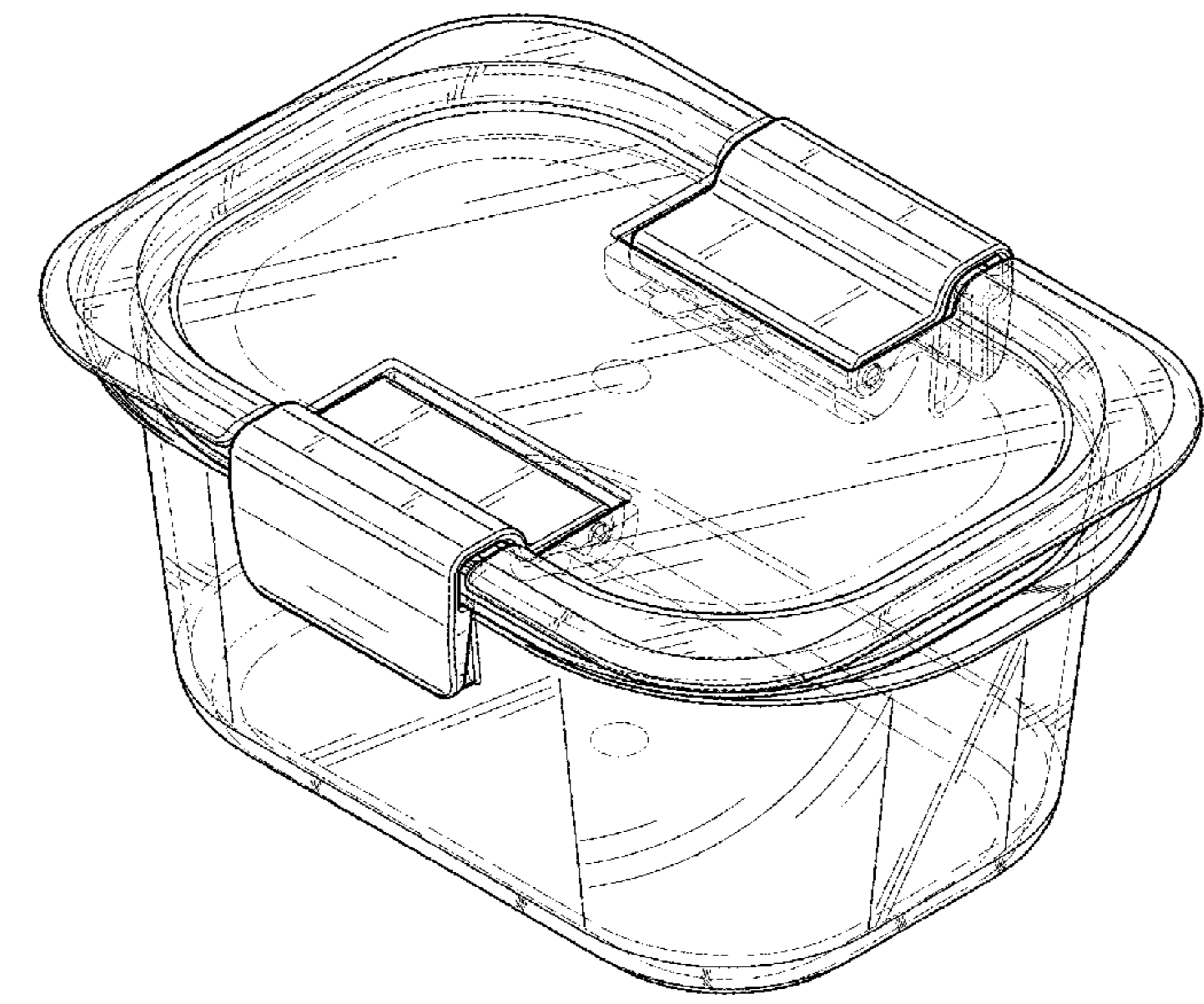
(57) **CLAIM**

The design for a container and lid, as shown and described.

DESCRIPTION

FIG. 1 is a top perspective view of a container and lid;
FIG. 2 is a front view of a container and lid illustrated in FIG. 1;
FIG. 3 is a rear view of a container and lid illustrated in FIG. 1;
FIG. 4 is a right side view of a container and lid illustrated in FIG. 1;
FIG. 5 is a left side view of a container and lid illustrated in FIG. 1;
FIG. 6 is a top view of a container and lid illustrated in FIG. 1; and,
FIG. 7 is a bottom view of a container and lid illustrated in FIG. 1.

1 Claim, 5 Drawing Sheets



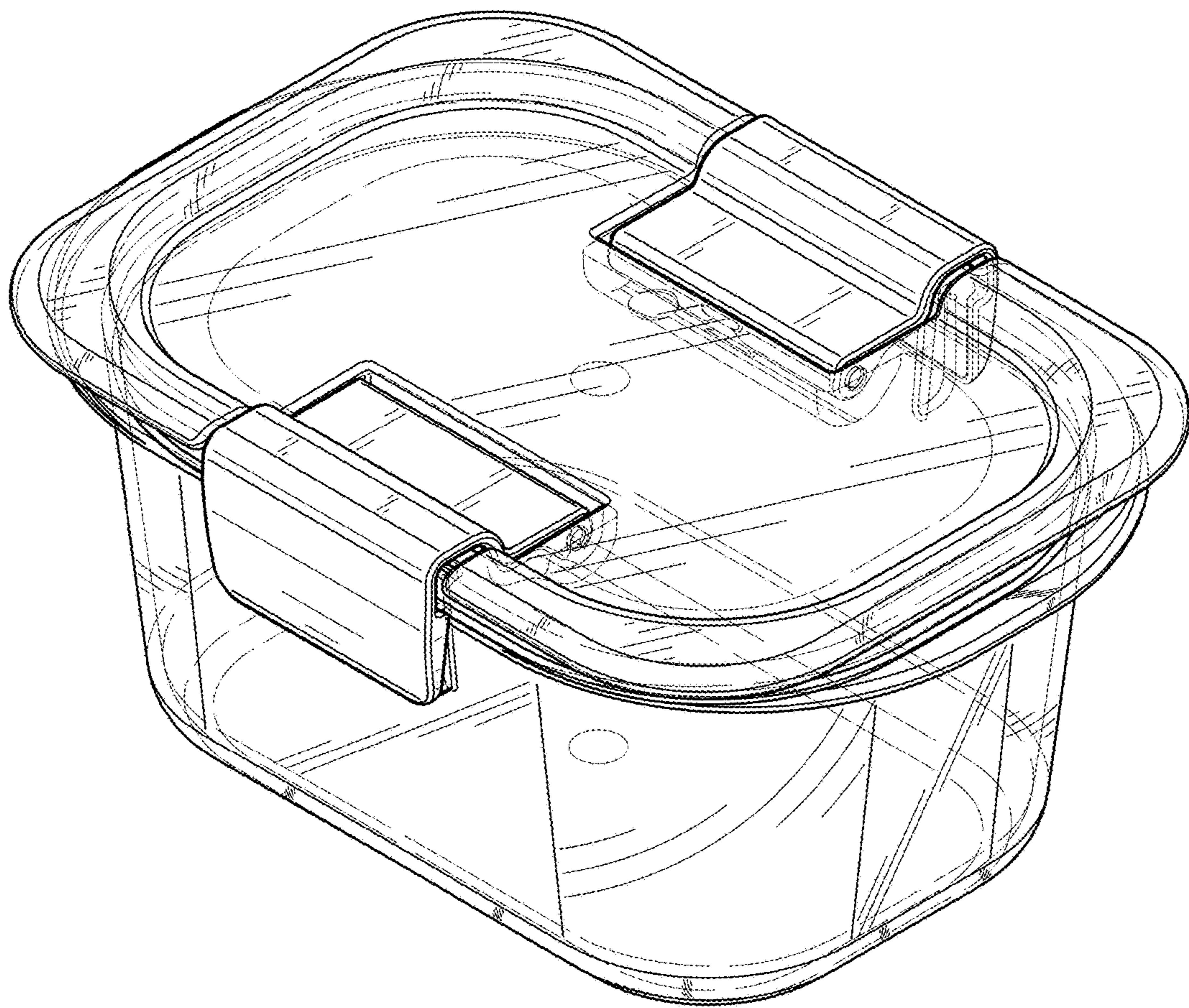


FIG. 1

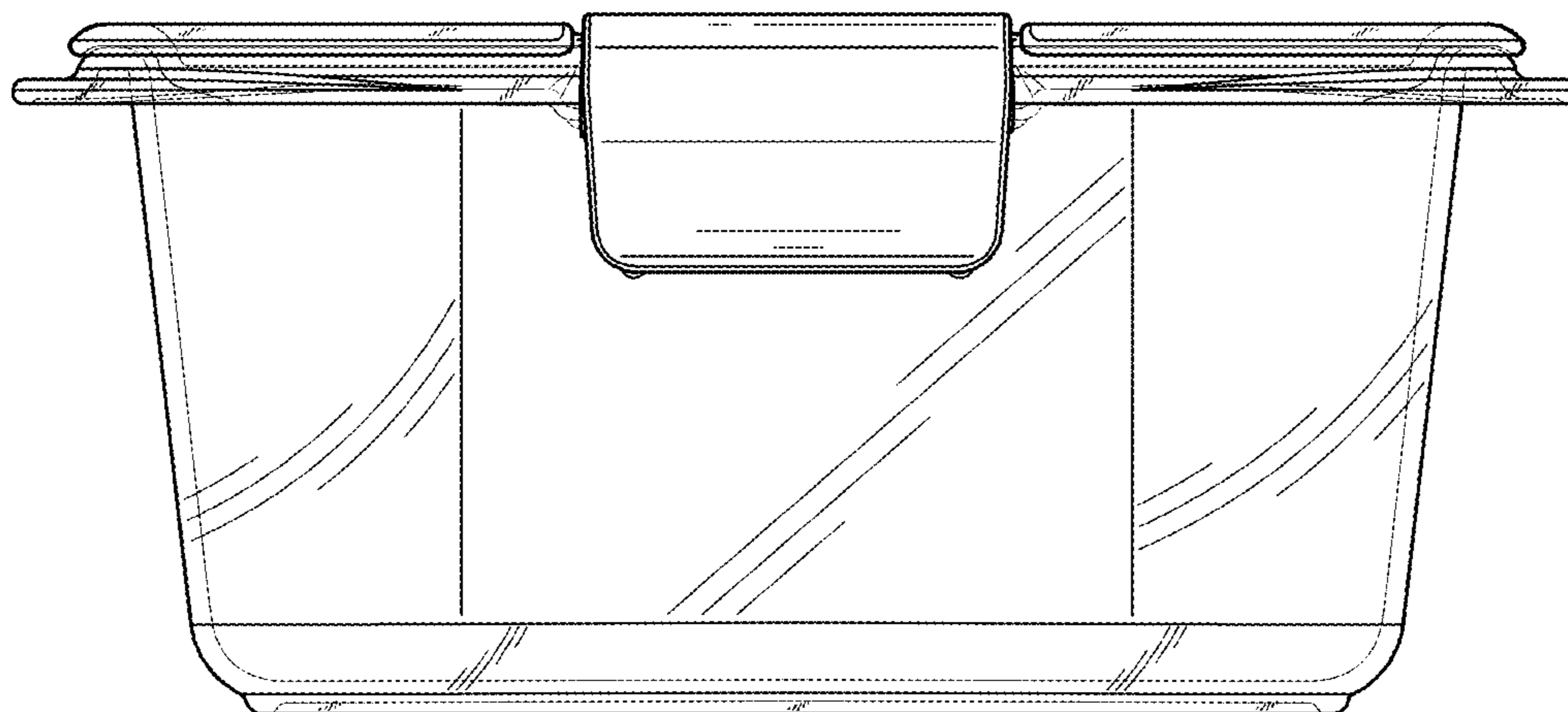


FIG. 2

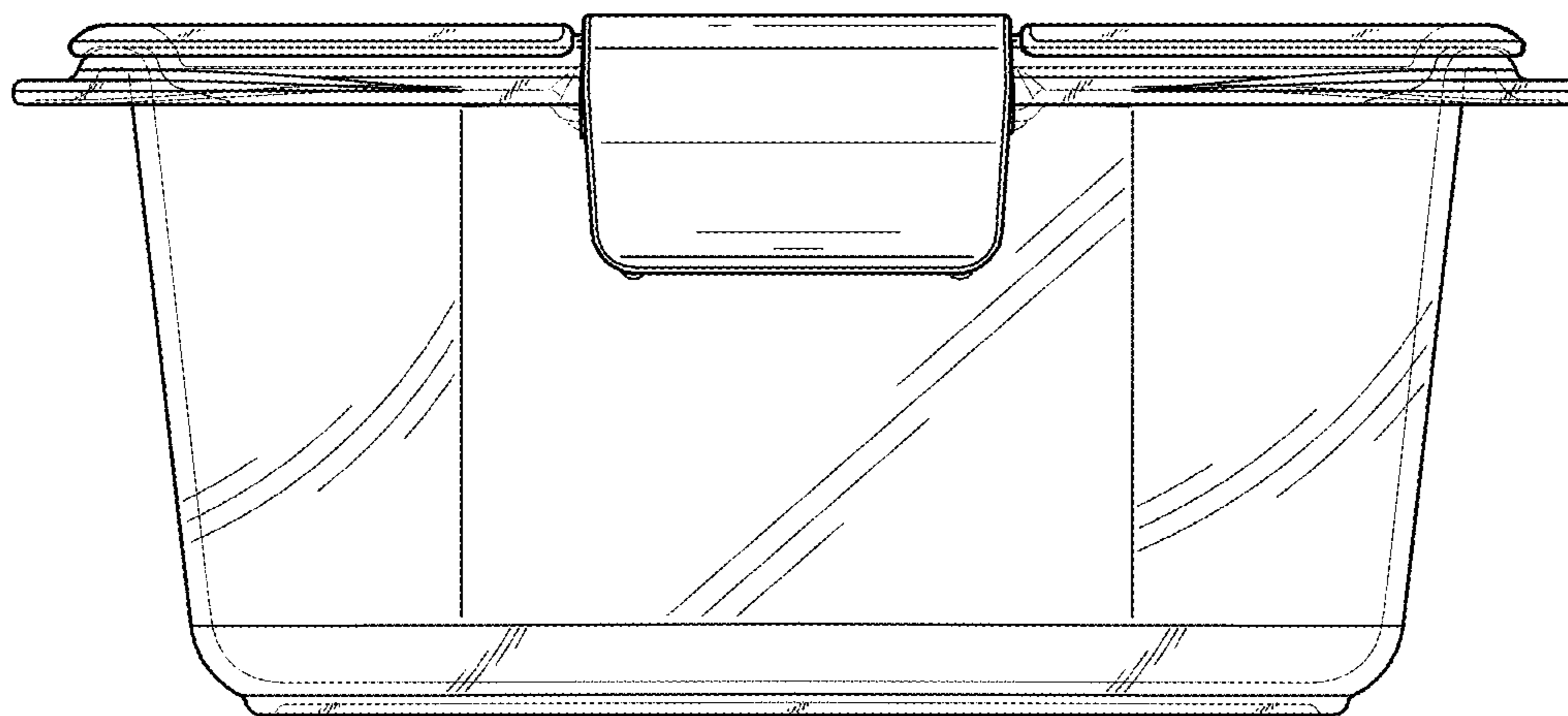


FIG. 3

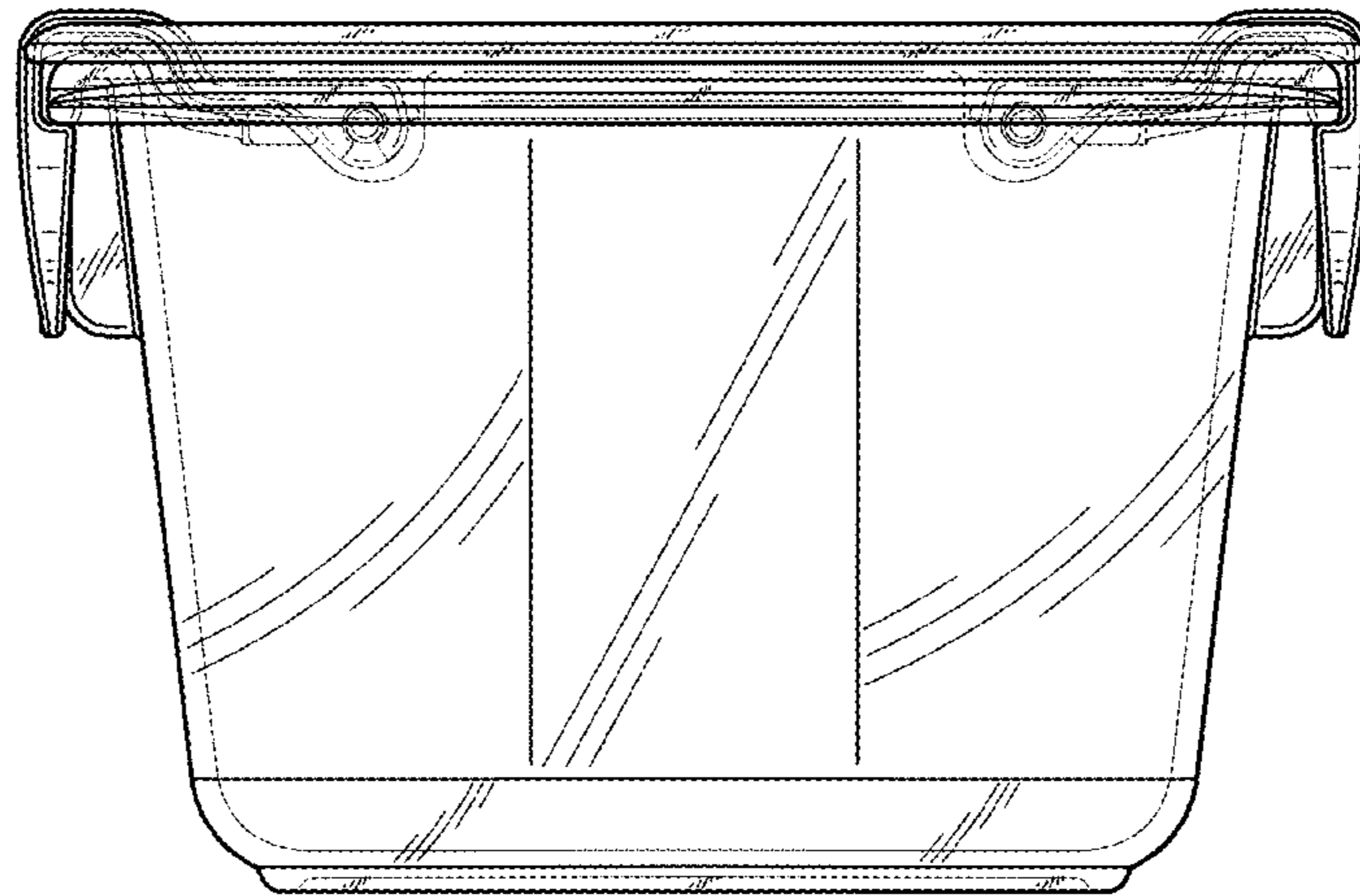


FIG. 4

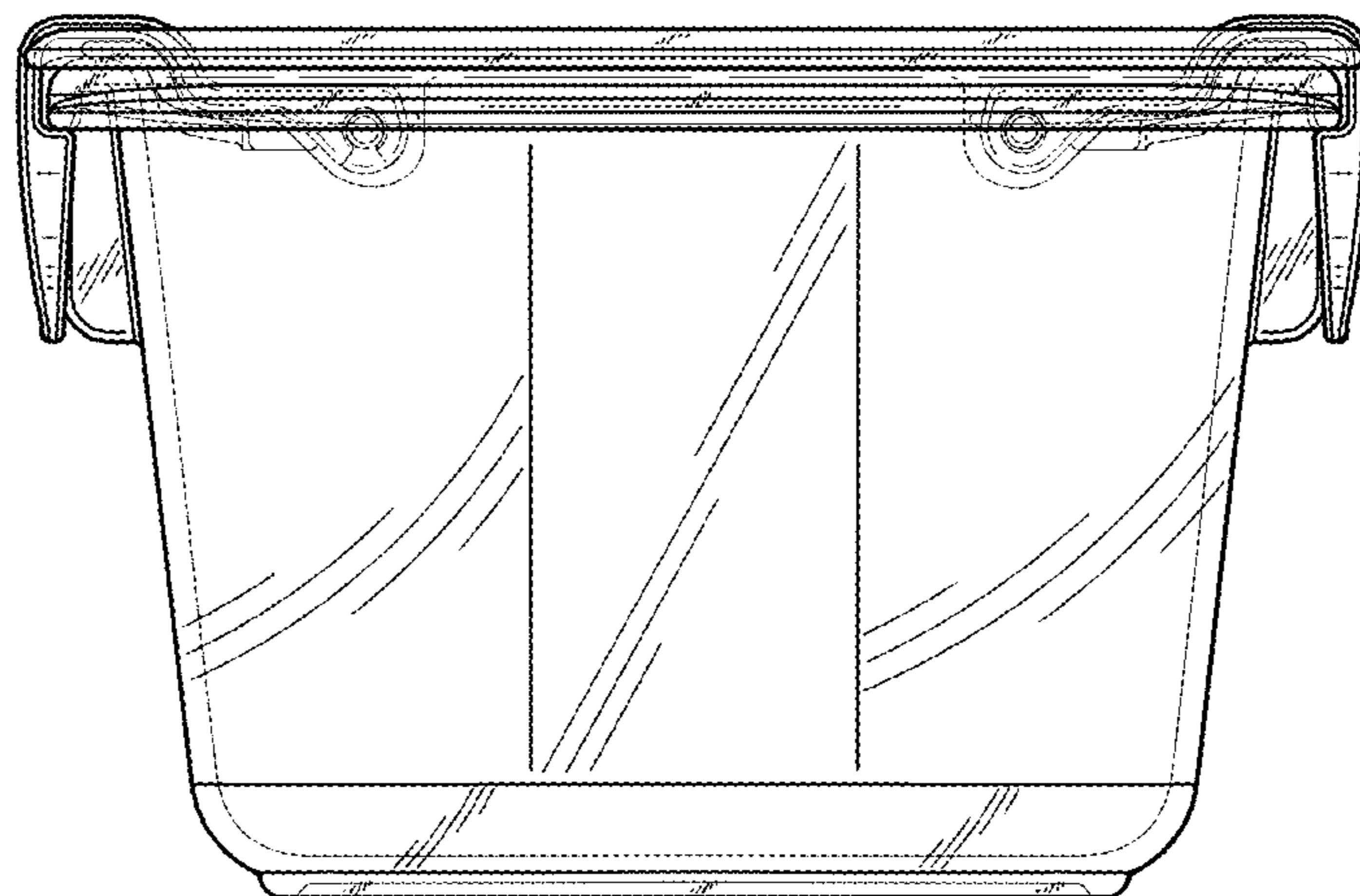


FIG. 5

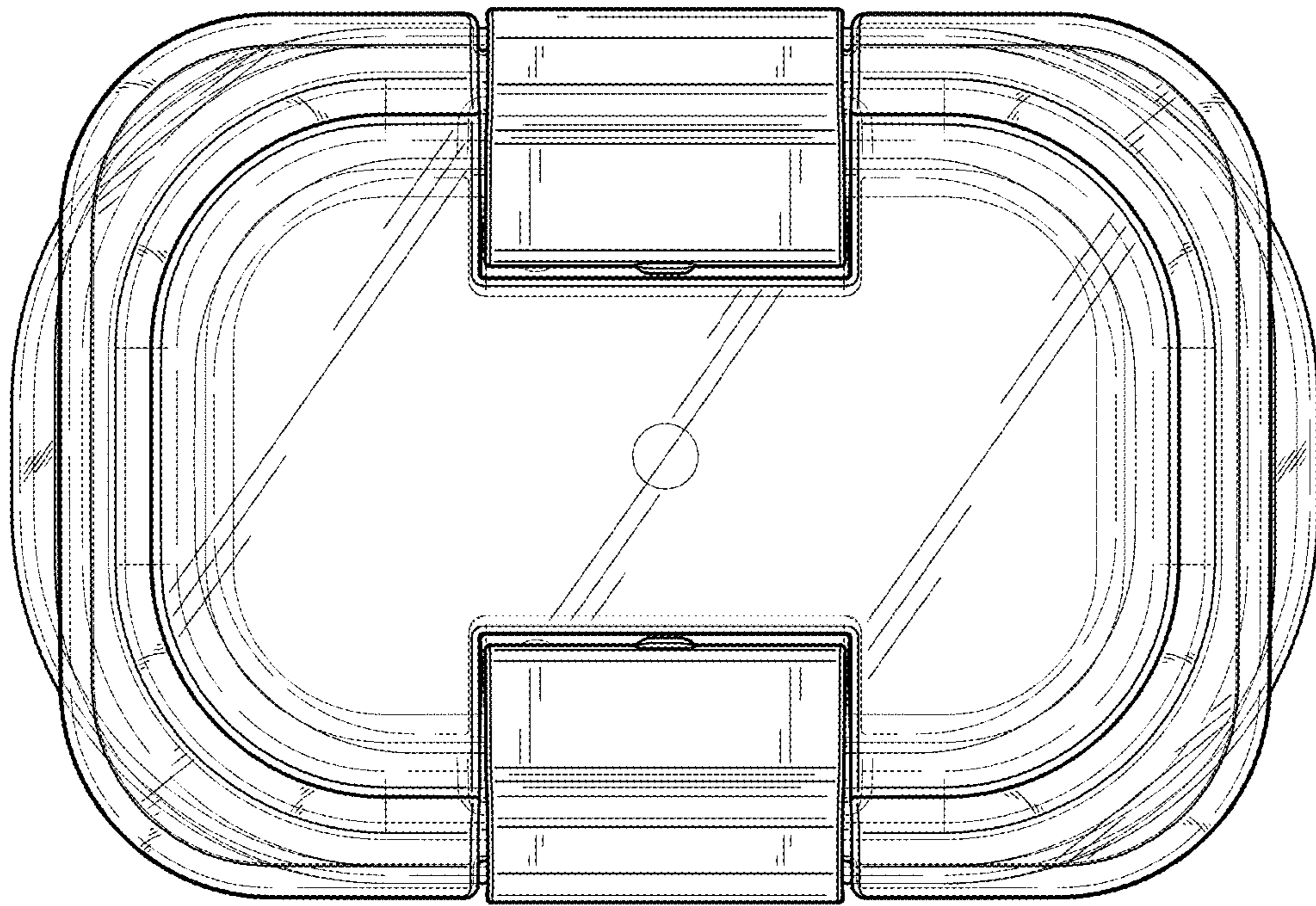


FIG. 6

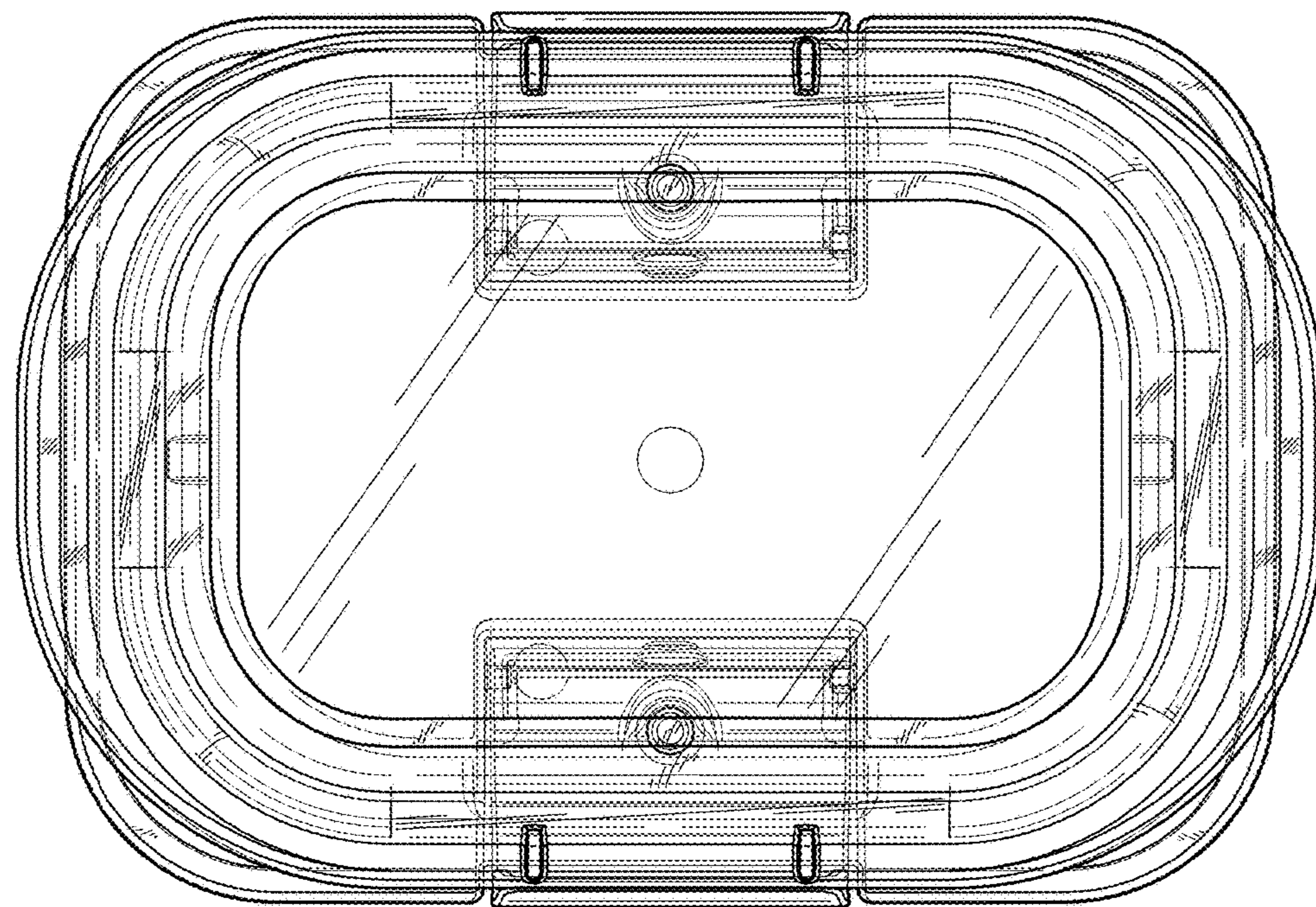


FIG. 7