



US00D796262S

(12) **United States Design Patent** (10) **Patent No.:** **US D796,262 S**
Parker et al. (45) **Date of Patent:** **** Sep. 5, 2017**

(54) **TRAINER CUP**

19/2272; A61J 9/00; A61J 9/06; A61J 9/08; A61J 9/085

See application file for complete search history.

(71) Applicant: **Jackel International Limited**,
Northumberland (GB)

(56) **References Cited**

(72) Inventors: **Richard Parker**, Newcastle Upon Tyne (GB); **Peter Angus**, Newcastle Upon Tyne (GB); **Matthew O'Brien**, Newcastle Upon Tyne (GB); **James Roe**, Glossop (GB); **Jason Roebuck**, Glossop (GB)

U.S. PATENT DOCUMENTS

(73) Assignee: **JACKEL INTERNATIONAL LIMITED**, Cramlington Northumberland (GB)

D354,416 S	1/1995	Cautereels	
D368,529 S	4/1996	Allegre	
D385,748 S	11/1997	Iodice	
5,706,973 A	1/1998	Robbins	
D421,878 S	3/2000	Roehig	
D446,685 S	8/2001	Atkin	
D454,642 S	3/2002	Hakin	
D460,322 S	7/2002	Orr	
D475,890 S *	6/2003	Mazonkey	D13/168
D476,849 S *	7/2003	Randolph	D7/510
D479,946 S *	9/2003	Jalet	D7/392.1
D500,226 S	12/2004	Randolph	
D504,049 S	4/2005	Morano	
D515,867 S *	2/2006	Randolph	D7/392.1
D520,809 S *	5/2006	Randolph	D7/392.1
D538,938 S *	3/2007	Pillado	215/11.4
7,562,789 B2	7/2009	Randolph	

(**) Term: **15 Years**

(Continued)

(21) Appl. No.: **29/570,788**

Primary Examiner — Marianne Pandozzi

(22) Filed: **Jul. 12, 2016**

Assistant Examiner — Jae Liang

(74) *Attorney, Agent, or Firm* — Olson & Cepuritis, Ltd.

Related U.S. Application Data

(62) Division of application No. 29/516,580, filed on Feb. 4, 2015, now Pat. No. Des. 764,235.

(57) **CLAIM**

The ornamental design for a trainer cup, as shown and described.

(51) **LOC (10) Cl.** **07-01**

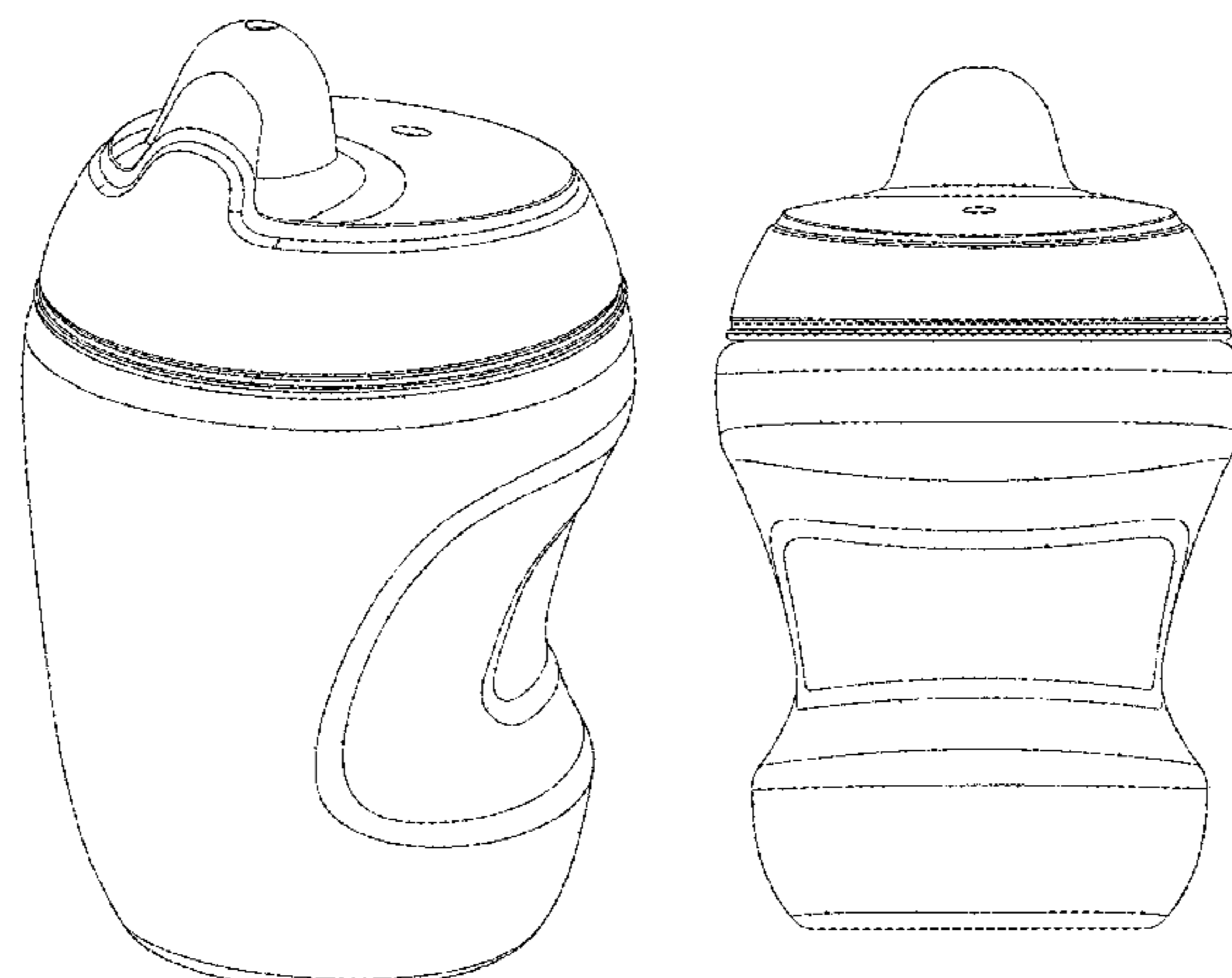
(52) **U.S. Cl.**
USPC **D7/510; D7/511**

DESCRIPTION

(58) **Field of Classification Search**
USPC D7/509–516, 523, 533, 534, 535, 543, D7/548, 300, 312, 314, 316, 318, 319, D7/320, 598, 589, 396.2, 507, 300.2, 529; 215/229; D24/197, 198, 199; 220/703, 220/714, 710, 710.5, 212.5; D9/436, 440, D9/447
CPC A47G 19/22; A47G 19/2266; A47G

FIG. 1 is a front perspective view of a trainer cup showing our new design;
FIG. 2 is a rear perspective view thereof;
FIG. 3 is a front elevational view thereof;
FIG. 4 is a rear elevational view thereof;
FIG. 5 is a right side elevational view thereof, the left side elevational view being a mirror image thereof;
FIG. 6 is a top plan view thereof; and,
FIG. 7 is a bottom plan view thereof.

(Continued)



The broken lines in the drawings depict portions of the trainer cup that form no part of the claimed design.

1 Claim, 7 Drawing Sheets

(56)

References Cited

U.S. PATENT DOCUMENTS

D609,527	S	*	2/2010	Roehrig	D24/197
D642,434	S		8/2011	Schofield		
D642,435	S	*	8/2011	Schofield	D24/197
D642,436	S		8/2011	Schofield		
D642,437	S		8/2011	Schofield		
D642,438	S		8/2011	Schofield		
D642,865	S	*	8/2011	Schofield	D24/197
D642,866	S	*	8/2011	Schofield	D24/197
8,256,641	B2		9/2012	Randolph		
D675,480	S	*	2/2013	Thomas	D7/507
D679,948	S	*	4/2013	Meyer	D24/197
D683,185	S	*	5/2013	Thomas	D7/510
D684,426	S	*	6/2013	Bottomley	D7/510
D730,697	S	*	6/2015	Johnson	D7/510
D734,095	S	*	7/2015	Thomas	D24/197
D755,569	S	*	5/2016	Parker	D7/510
D755,572	S	*	5/2016	Parker	D7/510
D757,494	S	*	5/2016	Parker	D7/510
D757,495	S	*	5/2016	Parker	D7/507
D762,419	S	*	8/2016	Parker	D7/510
D763,624	S	*	8/2016	Parker	D7/510
D764,235	S	*	8/2016	Parker	D7/510
2012/0298679	A1		11/2012	Randolph		

* cited by examiner

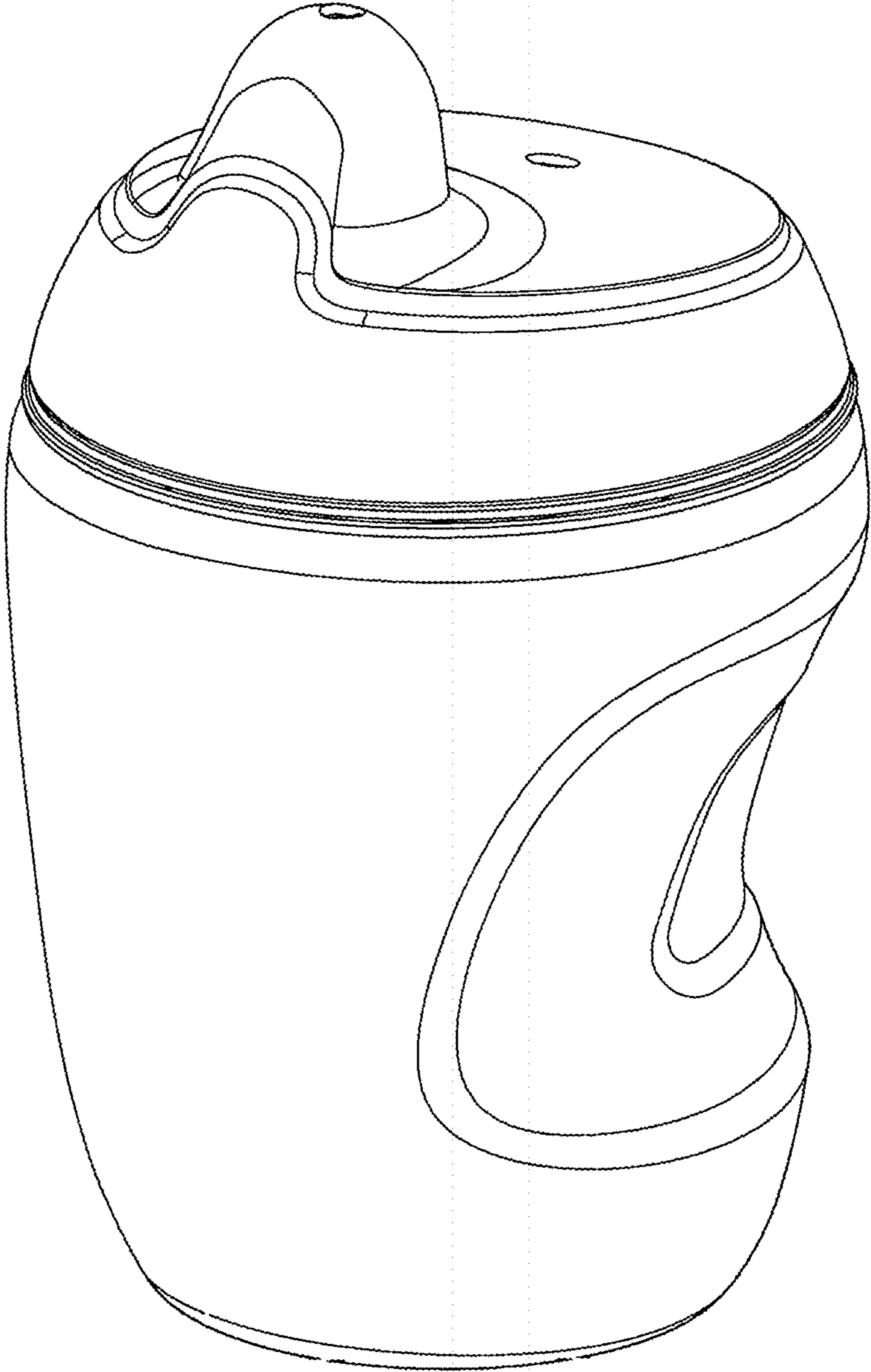


FIG. 1

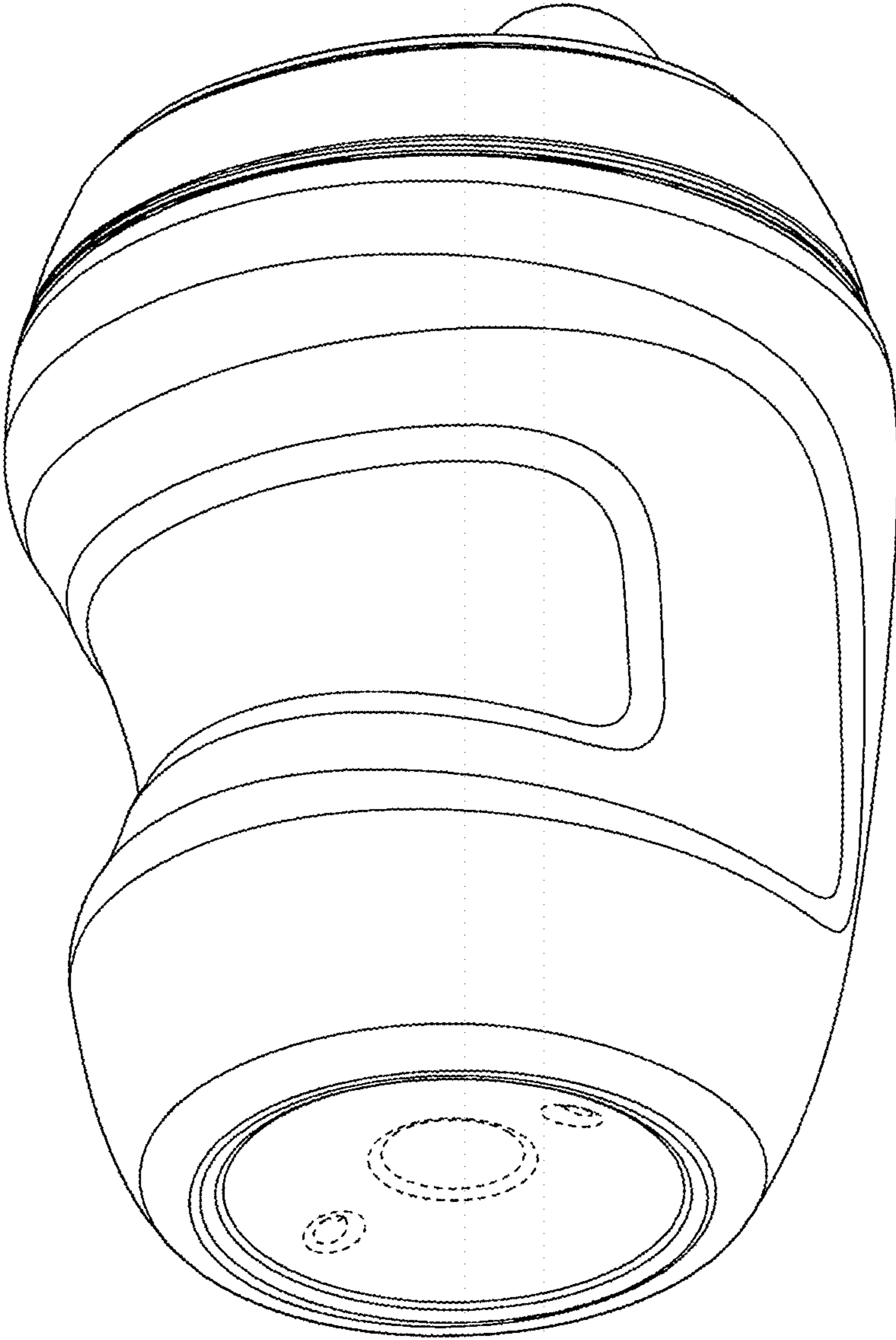


FIG. 2

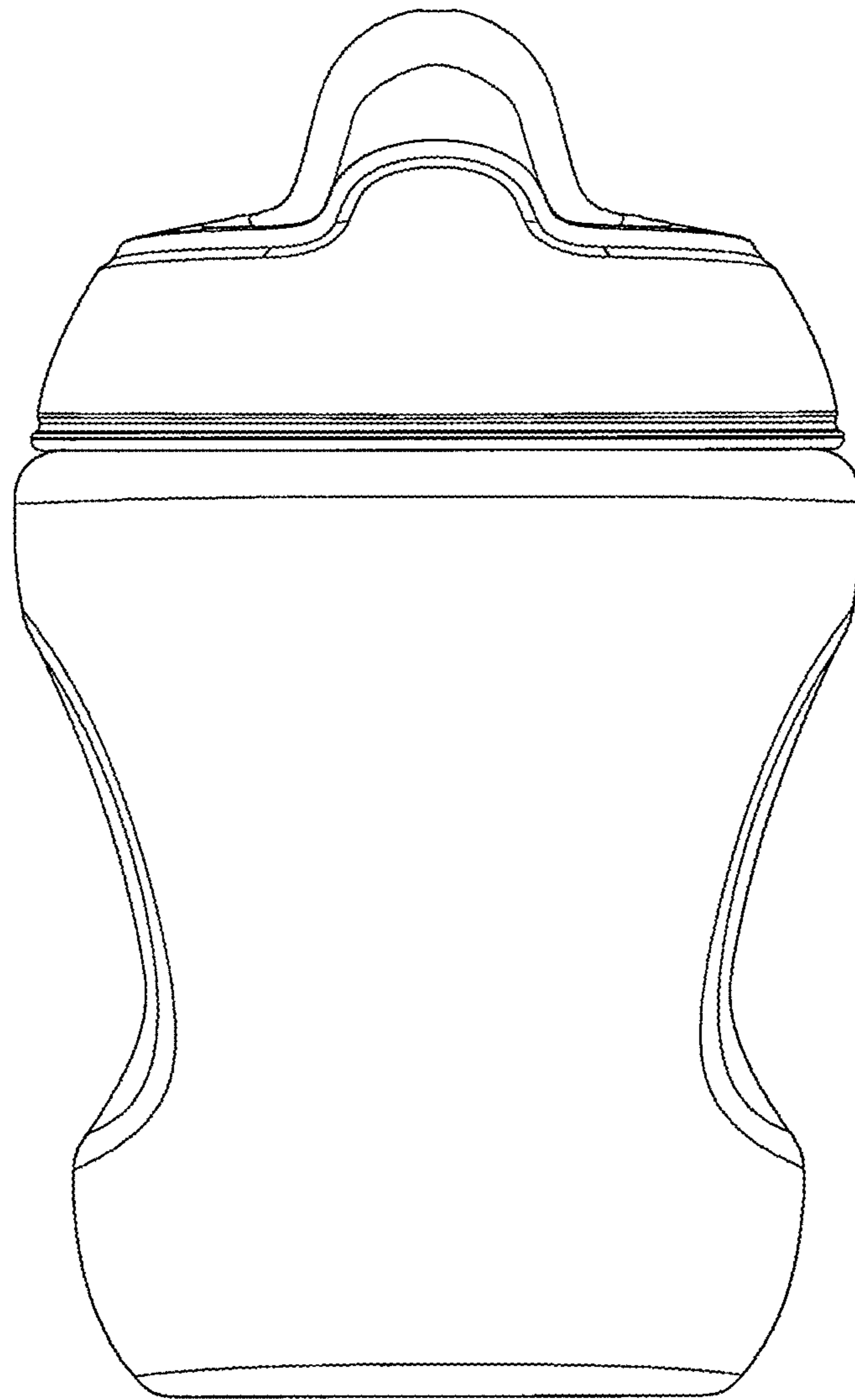


FIG. 3

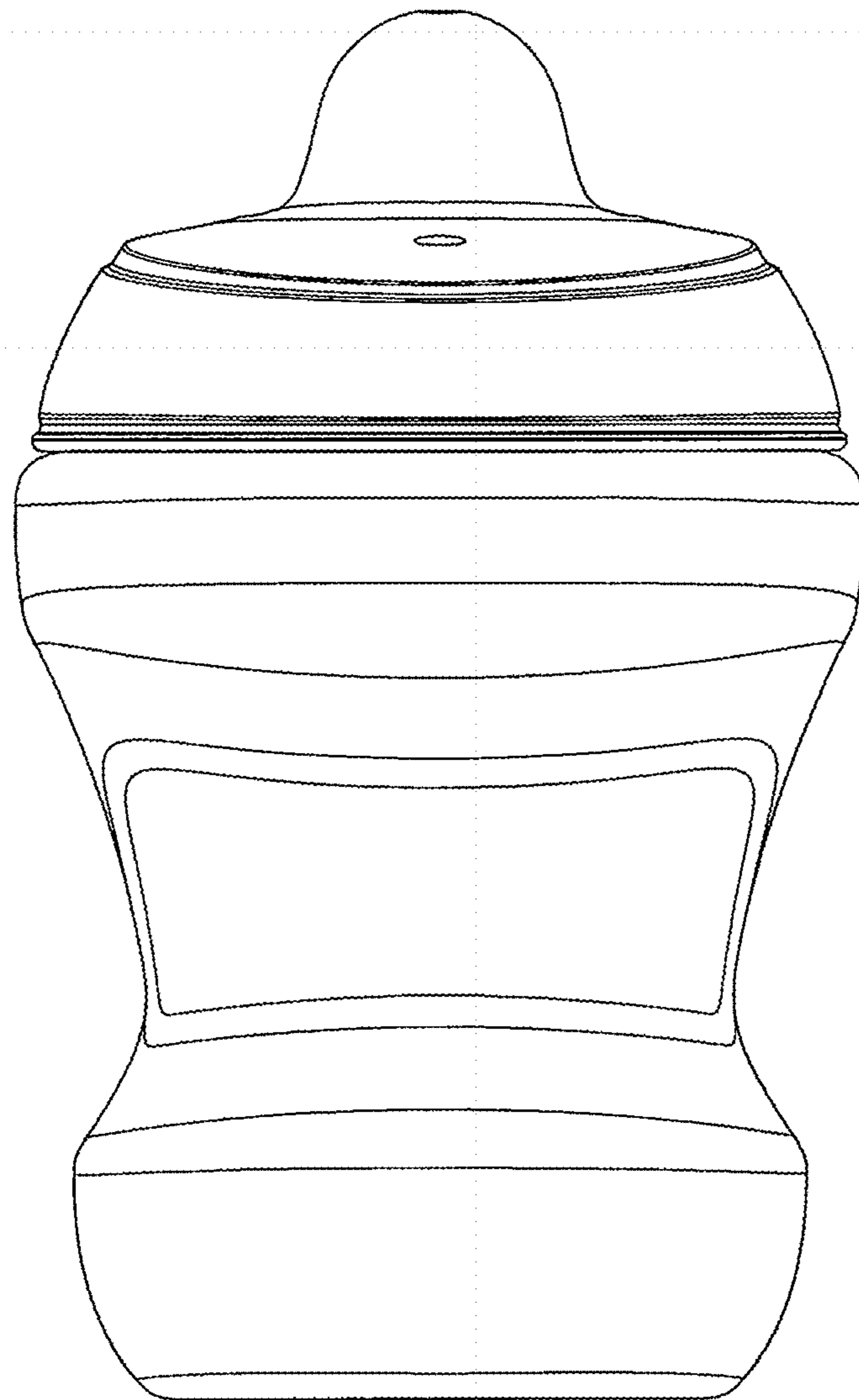


FIG. 4

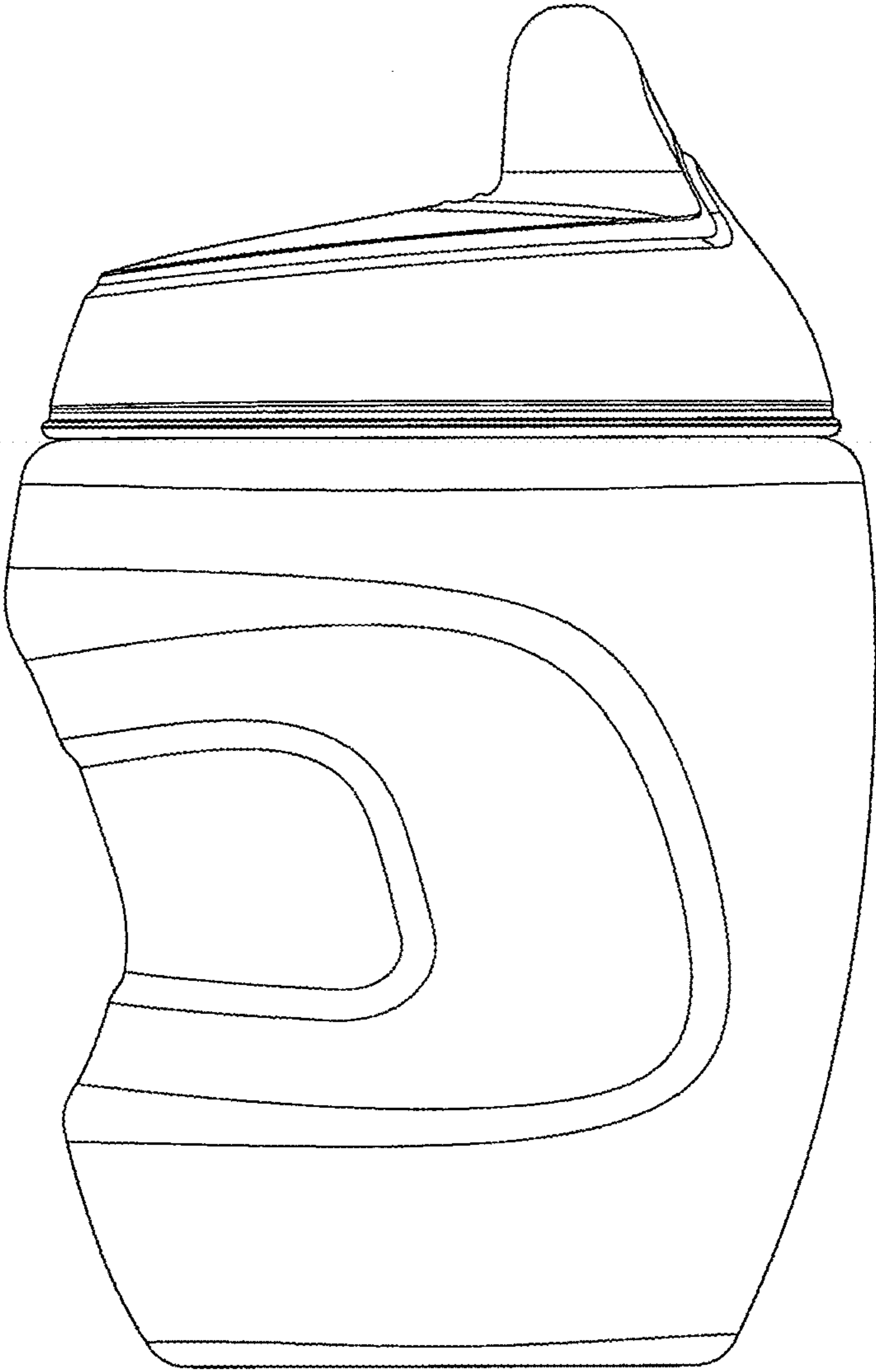


FIG. 5

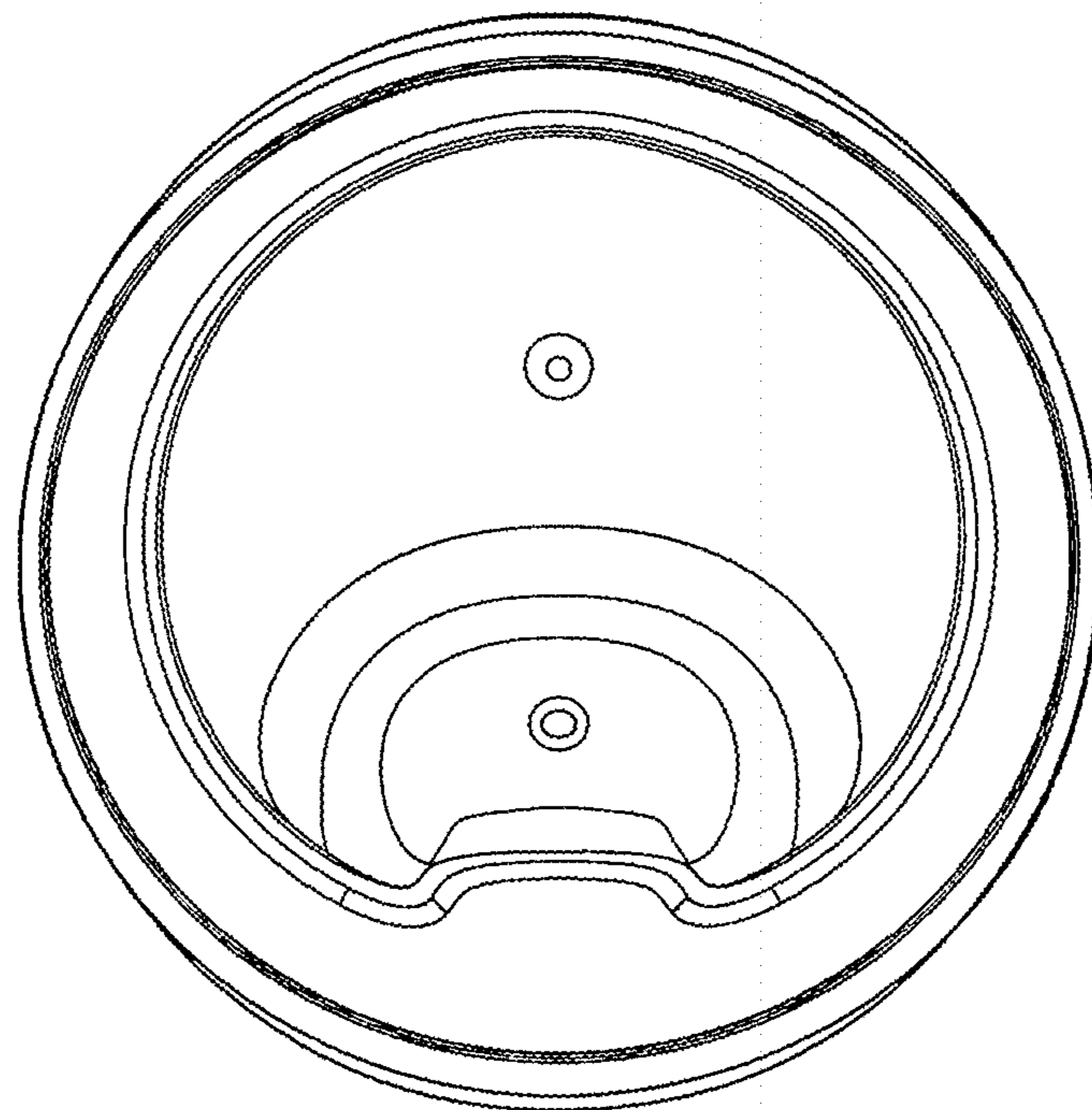


FIG. 6

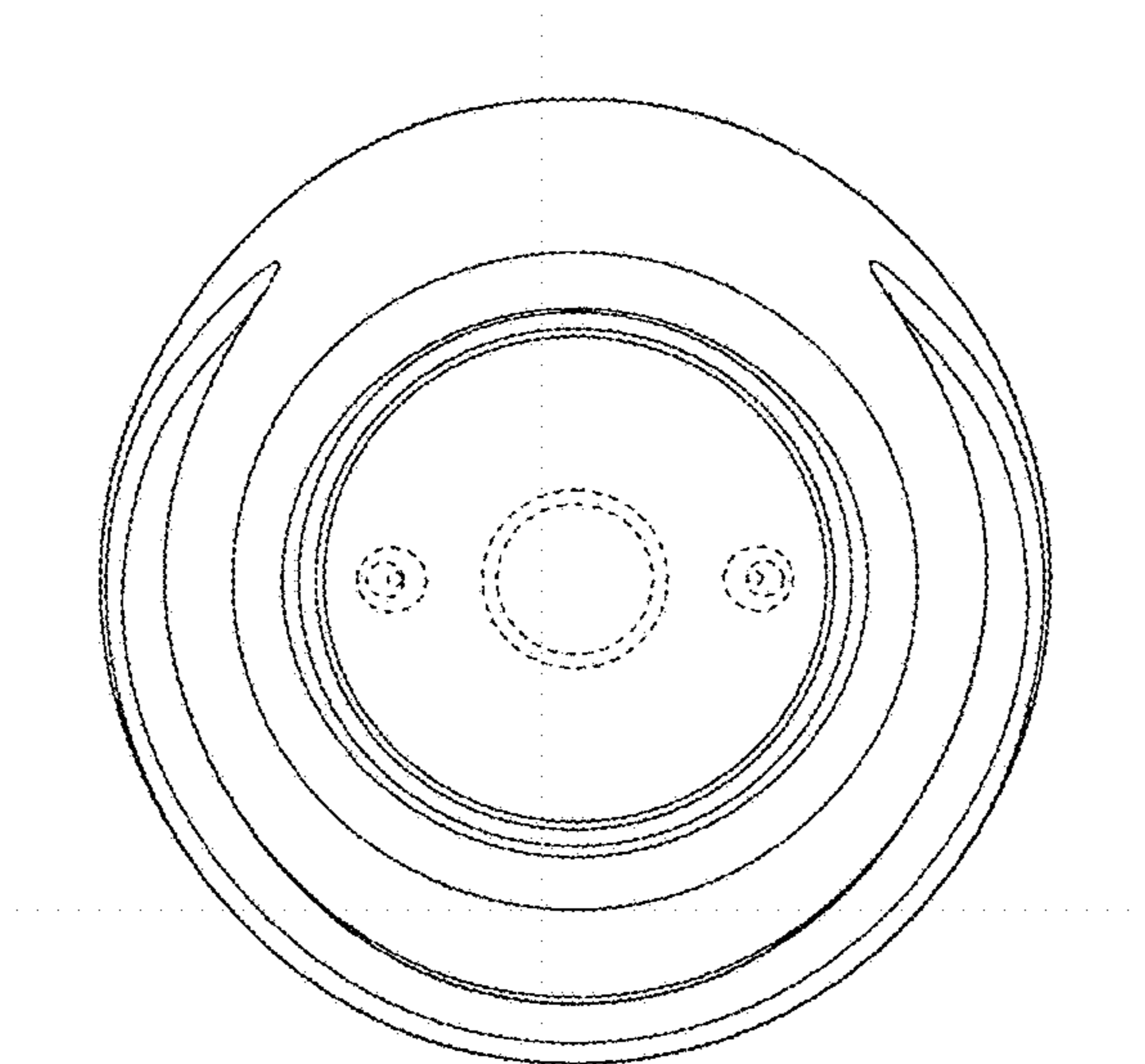


FIG. 7

UNITED STATES PATENT AND TRADEMARK OFFICE
CERTIFICATE OF CORRECTION

PATENT NO. : D796,262 S
APPLICATION NO. : 29/570788
DATED : September 5, 2017
INVENTOR(S) : Richard Parker et al.

Page 1 of 1

It is certified that error appears in the above-identified patent and that said Letters Patent is hereby corrected as shown below:

On the Title Page

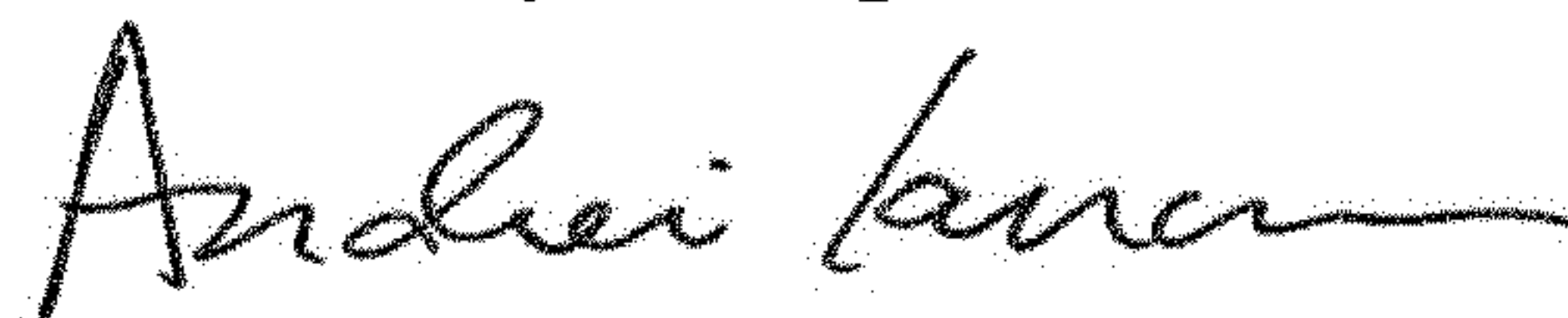
Please insert, item (30):

--Foreign Application Priority Data

Aug. 4, 2014 (EM).....001419139-0009

Aug. 4, 2014 (EM).....001419139-0010--

Signed and Sealed this
Third Day of September, 2019



Andrei Iancu
Director of the United States Patent and Trademark Office