

US00D796258S

(12) **United States Design Patent** (10) **Patent No.:** **US D796,258 S**  
**Streckfus** (45) **Date of Patent:** **\*\* Sep. 5, 2017**

(54) **BROILER COMPONENT**  
(71) Applicant: **BURGER KING CORPORATION**,  
Miami, FL (US)  
(72) Inventor: **Stefan Streckfus**, Miami, FL (US)  
(73) Assignee: **BURGER KING CORPORATION**,  
Miami, FL (US)  
(\*\*) Term: **15 Years**  
(21) Appl. No.: **29/531,751**  
(22) Filed: **Jun. 29, 2015**  
(51) **LOC (10) Cl.** ..... **07-02**  
(52) **U.S. Cl.**  
USPC ..... **D7/409**  
(58) **Field of Classification Search**  
USPC ..... D7/402-409, 354-361, 339, 352,  
D7/410-411, 390, 328  
CPC .. A47J 37/0694; A47J 37/067; A47J 37/0731;  
F24C 15/16; F24C 15/14  
See application file for complete search history.

D702,499 S \* 4/2014 Zemel ..... D7/409  
D758,130 S \* 6/2016 Lee ..... D7/352  
2010/0037885 A1\* 2/2010 Tsung ..... A47J 37/067  
126/337 R  
2010/0175682 A1\* 7/2010 Erikson ..... A47J 37/067  
126/25 R  
2013/0118475 A1\* 5/2013 Armstrong ..... F24C 15/16  
126/337 R  
2016/0073821 A1\* 3/2016 Shei ..... A47J 36/34  
220/573.1  
2016/0374508 A1\* 12/2016 Streckfus ..... F24C 15/001  
99/325

\* cited by examiner

Primary Examiner — Sheryl Lane

Assistant Examiner — Nicole Shiflet

(74) Attorney, Agent, or Firm — Arent Fox LLP

(57) **CLAIM**

The ornamental design for a broiler component, as shown and described.

**DESCRIPTION**

FIG. 1 is perspective view of a broiler component showing my new design;

FIG. 2 is a top view of the design shown in FIG. 1;

FIG. 3 is a bottom view of the design shown in FIG. 1;

FIG. 4 is a left side view of the design shown in FIG. 1;

FIG. 5 is a right side view of the design shown in FIG. 1;

FIG. 6 is front view of the design shown in FIG. 1; and,

FIG. 7 is back view of the design shown in FIG. 1.

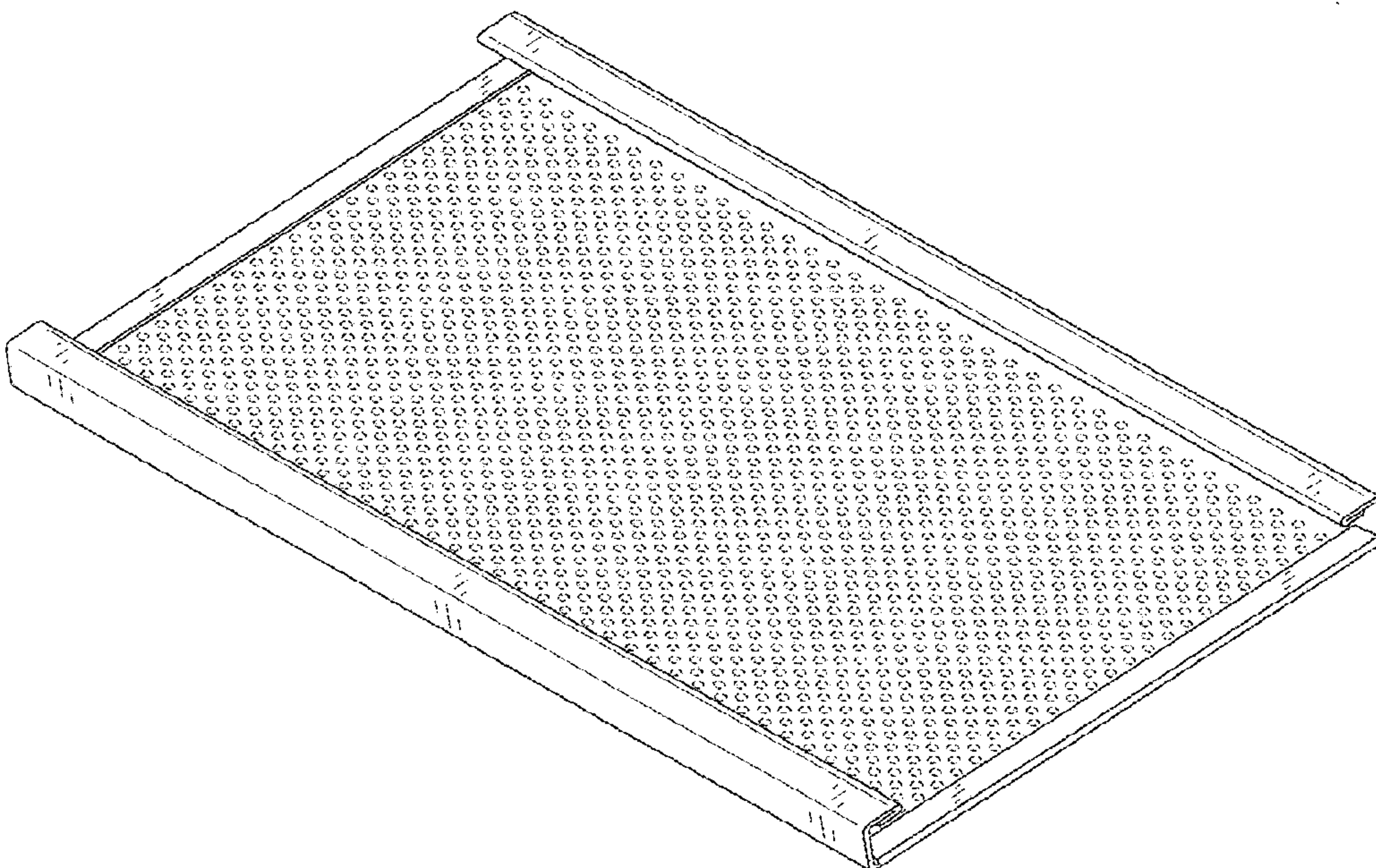
The broken lines in FIGS. 1-3 show portions of the broiler component that form no part of the claimed design.

**1 Claim, 5 Drawing Sheets**

(56) **References Cited**

**U.S. PATENT DOCUMENTS**

D417,124 S \* 11/1999 Chen ..... 211/60.1  
6,087,634 A \* 7/2000 Cook ..... F24C 15/16  
219/392  
D567,022 S \* 4/2008 Spangrud ..... D7/409  
D597,370 S \* 8/2009 Watkins ..... D7/354  
D613,117 S \* 4/2010 Richburg ..... D7/409  
D648,175 S \* 11/2011 Zemel ..... D7/354



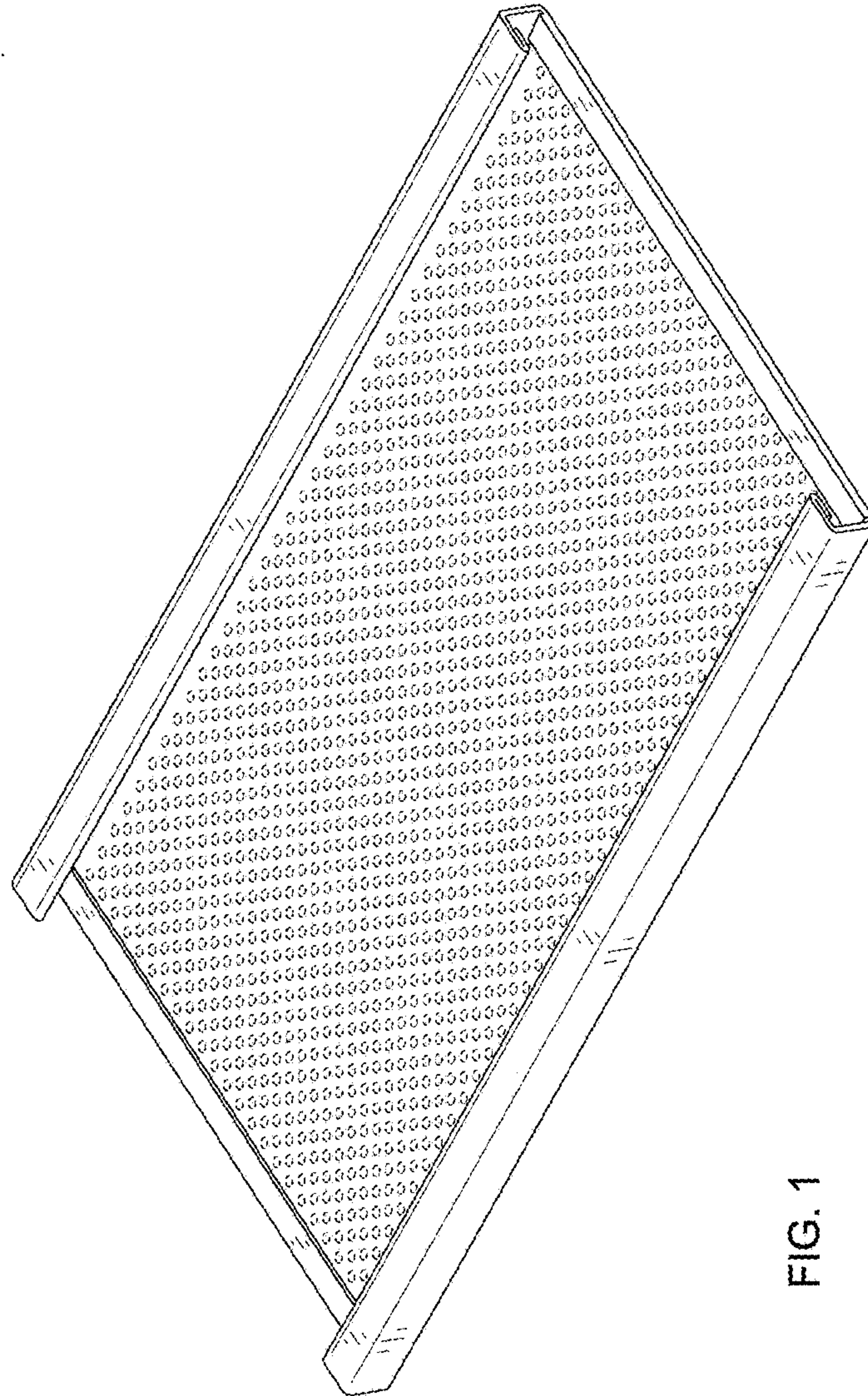


FIG. 1



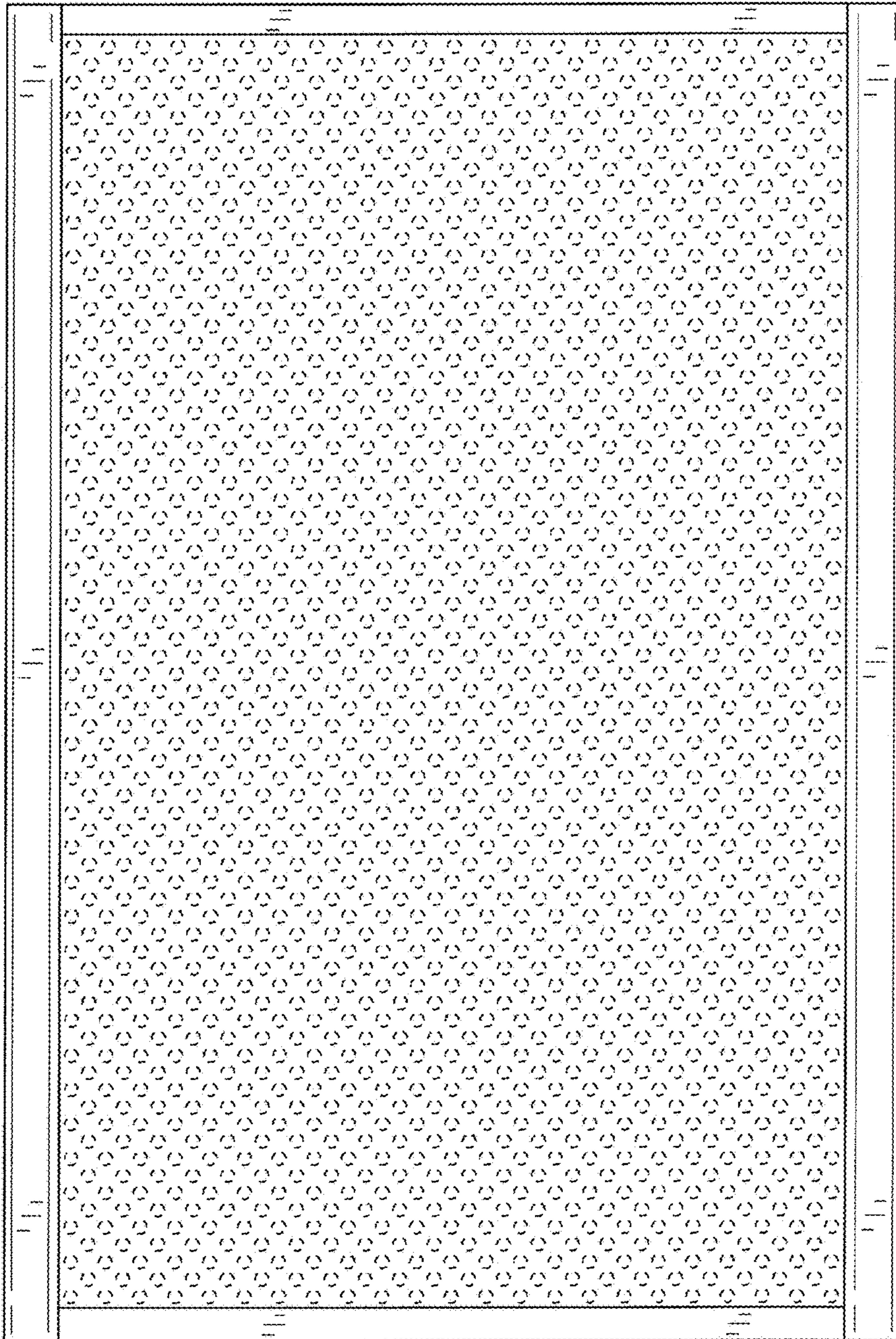


FIG. 2

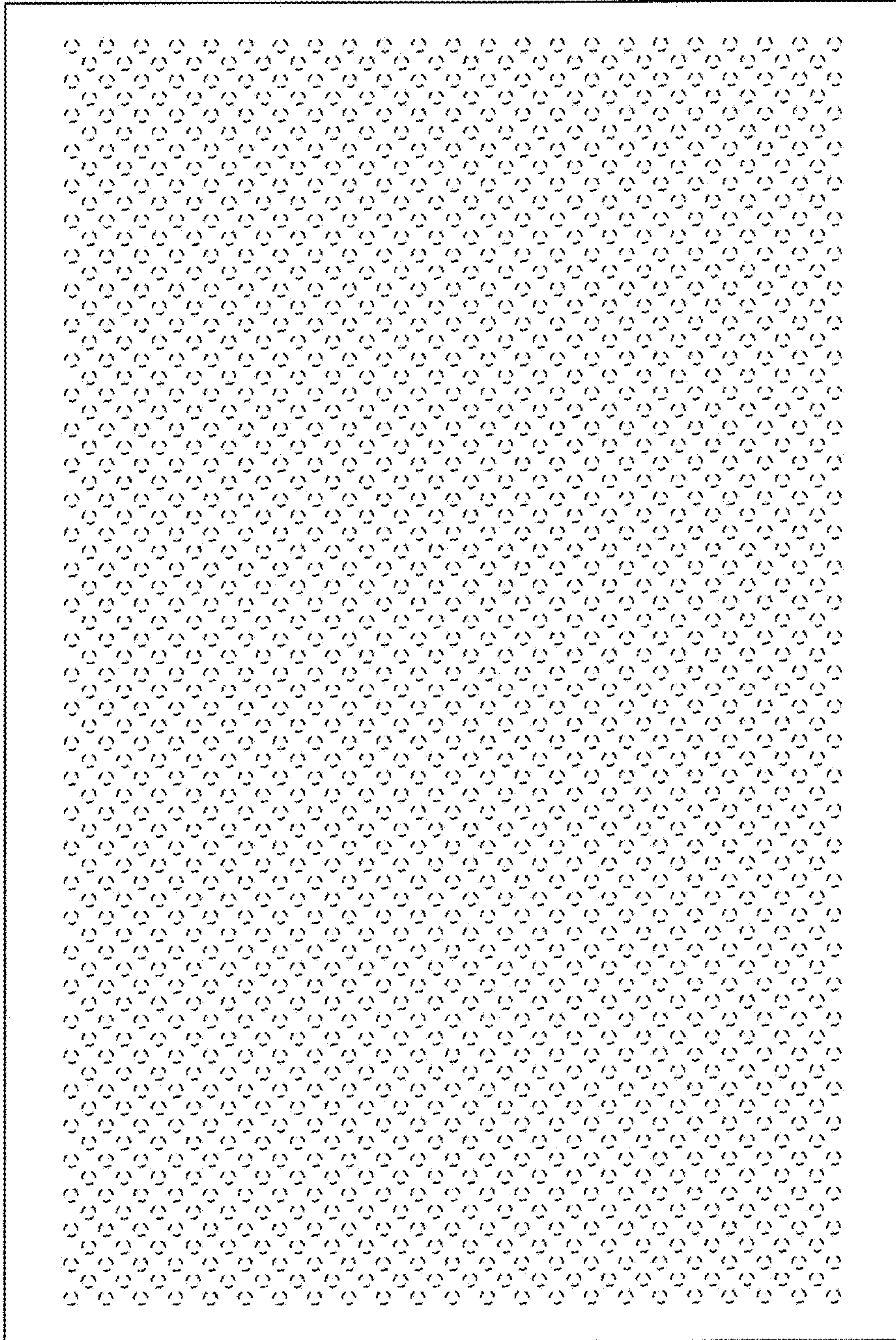


FIG. 3





FIG. 4



FIG. 5



FIG. 6

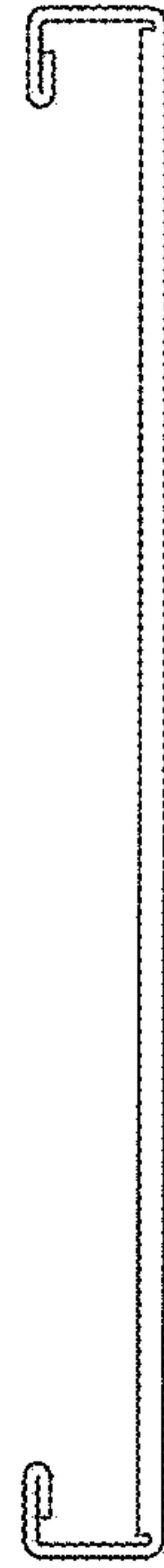


FIG. 7