

US00D796254S

(12) **United States Design Patent** (10) **Patent No.:** **US D796,254 S**
Thomas et al. (45) **Date of Patent:** **** Sep. 5, 2017**

(54) **BENCH MIXER**

(56) **References Cited**

(71) Applicant: **Breville Pty Limited**, Alexandria, NSW (AU)

U.S. PATENT DOCUMENTS

(72) Inventors: **Mark Thomas**, Leichhardt (AU); **Greg Upston**, Eumundi (AU)

D322,010 S *	12/1991	Doggett	D10/2
D400,759 S *	11/1998	Doggett	D7/379
D489,569 S *	5/2004	Smith	D7/379
D489,936 S *	5/2004	Smith	D7/379
D499,604 S *	12/2004	Hooper	D7/376
D530,146 S *	10/2006	Ball	D7/379
D584,916 S *	1/2009	Christou	D7/376
D612,195 S *	3/2010	Liu	D7/379
D613,549 S *	4/2010	Picozza	D7/376
D654,304 S *	2/2012	Bodum	D7/376
D677,520 S *	3/2013	Choi	D7/376
D728,304 S *	5/2015	Weaden	D7/376
D753,434 S *	4/2016	Bazzicalupo	D7/376

(73) Assignee: **BREVILLE Pty LIMITED**, Alexandria, NSW (AU)

(**) Term: **15 Years**

(21) Appl. No.: **29/575,285**

(22) Filed: **Aug. 24, 2016**

* cited by examiner

(30) **Foreign Application Priority Data**

Feb. 25, 2016 (AU) 201611010

(51) **LOC (10) Cl.** **31-00**

(52) **U.S. Cl.**
USPC **D7/379**; D7/376; D7/384

(58) **Field of Classification Search**
USPC D7/326, 372, 376-386, 412-413, 602, D7/629, 665-666, 669, 679, 693-694
CPC A21C 1/02; A21C 1/04; A23N 1/00; A23N 1/02; A47J 43/04; A47J 43/25; A47J 43/27; A47J 43/042; A47J 43/044; A47J 43/046; A47J 43/075; A47J 43/0722; A47J 43/0727; B01F 3/00; B01F 3/0807; B01F 3/0853; B01F 13/0059; B01F 13/0064; B02C 1/08; B02C 2/04; B02C 4/42; B02C 4/142; B02C 4/143; B02C 4/423; B02C 13/1835; B28C 5/10; B28C 5/12; B28C 5/14; B28C 5/16

See application file for complete search history.

Primary Examiner — Ricky Pham

(74) *Attorney, Agent, or Firm* — Molins & Co. Pty Ltd.

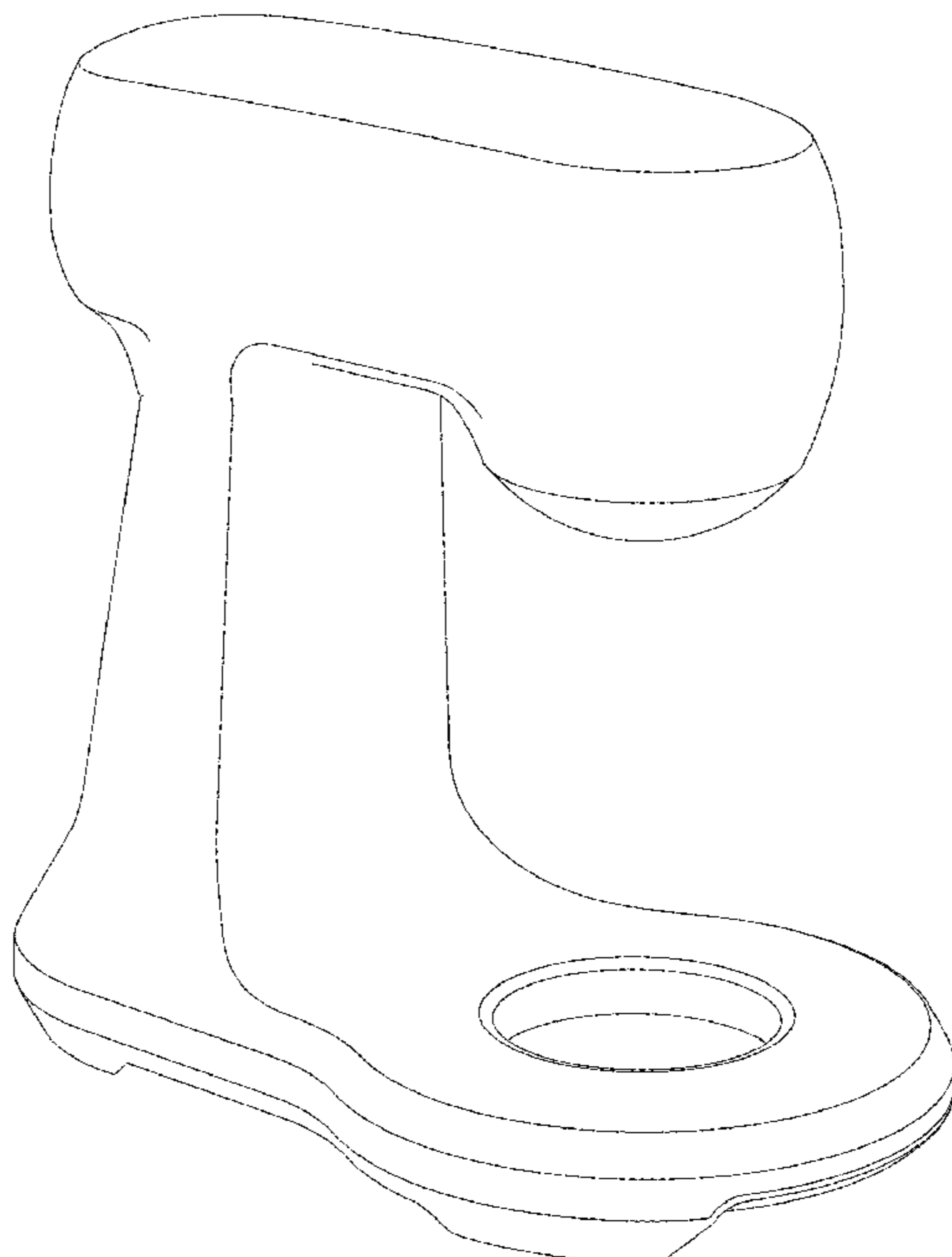
(57) **CLAIM**

The ornamental design for a bench mixer, as shown and described.

DESCRIPTION

FIG. 1 is a front perspective view of a bench mixer showing our new design;
FIG. 2 is a front view thereof;
FIG. 3 is a left side view thereof;
FIG. 4 is a rear view thereof;
FIG. 5 is a right side view thereof;
FIG. 6 is a top view thereof;
FIG. 7 is a bottom view thereof; and,
FIG. 8 is a rear perspective thereof.

1 Claim, 8 Drawing Sheets



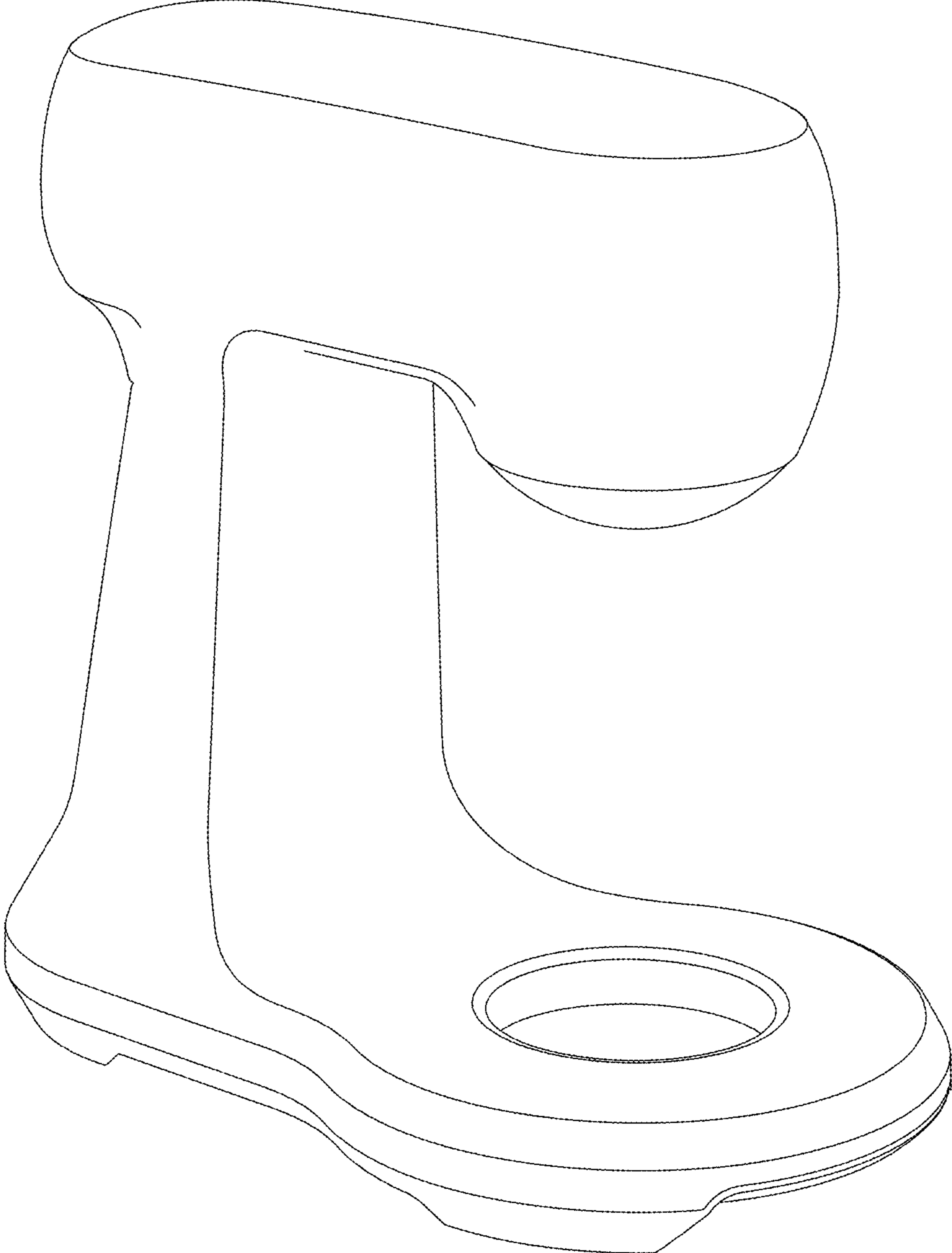


Fig. 1

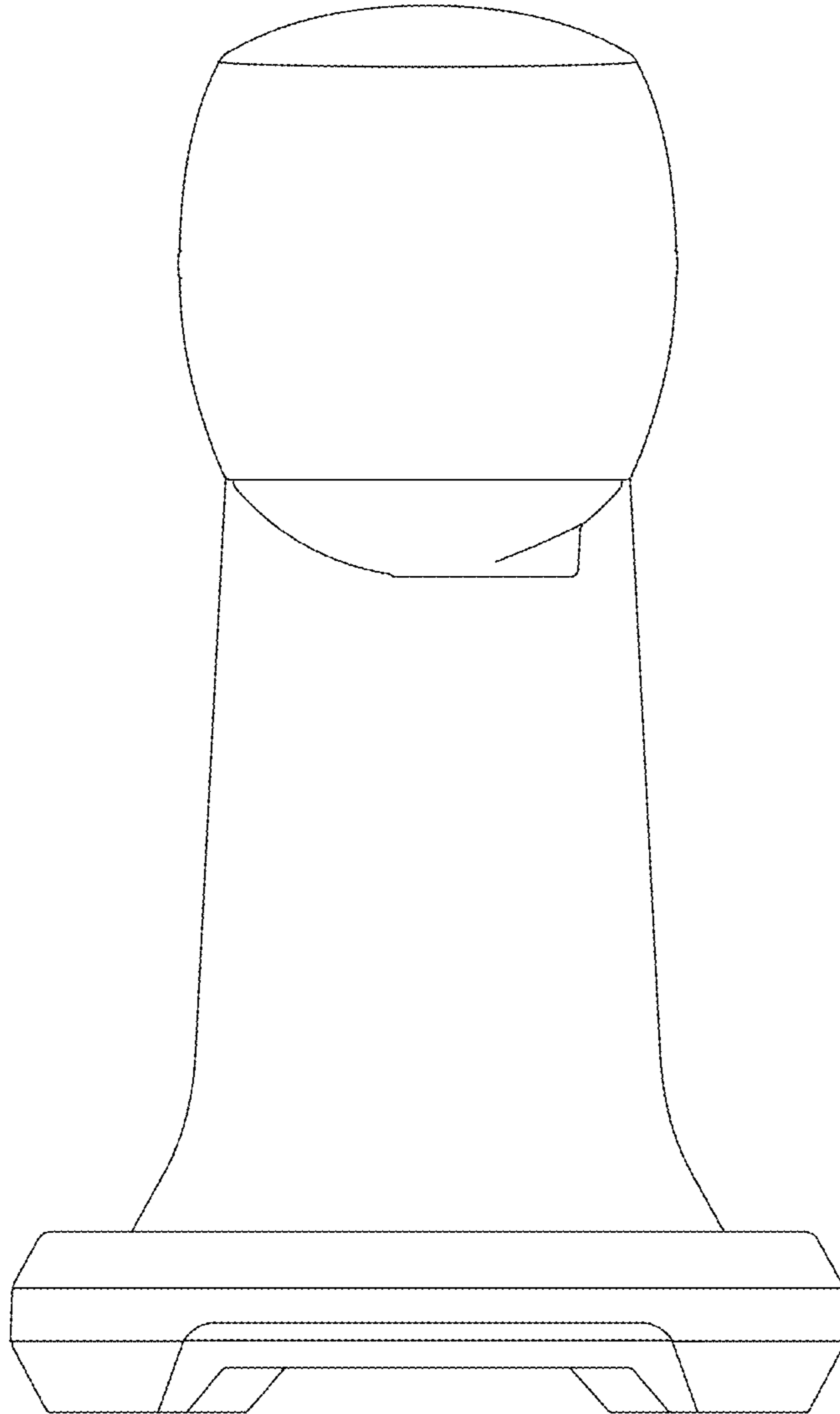


Fig. 2

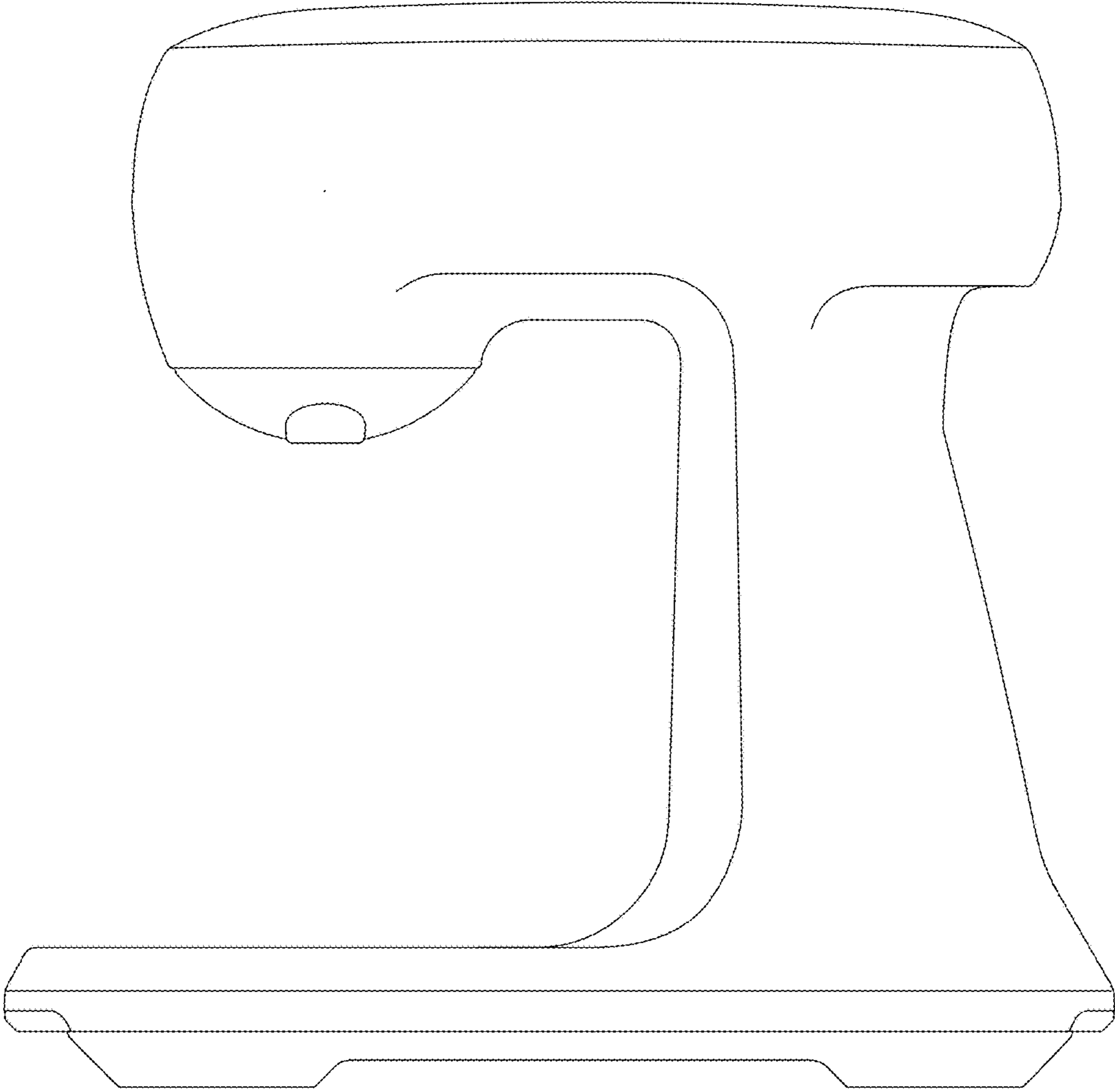


Fig. 3

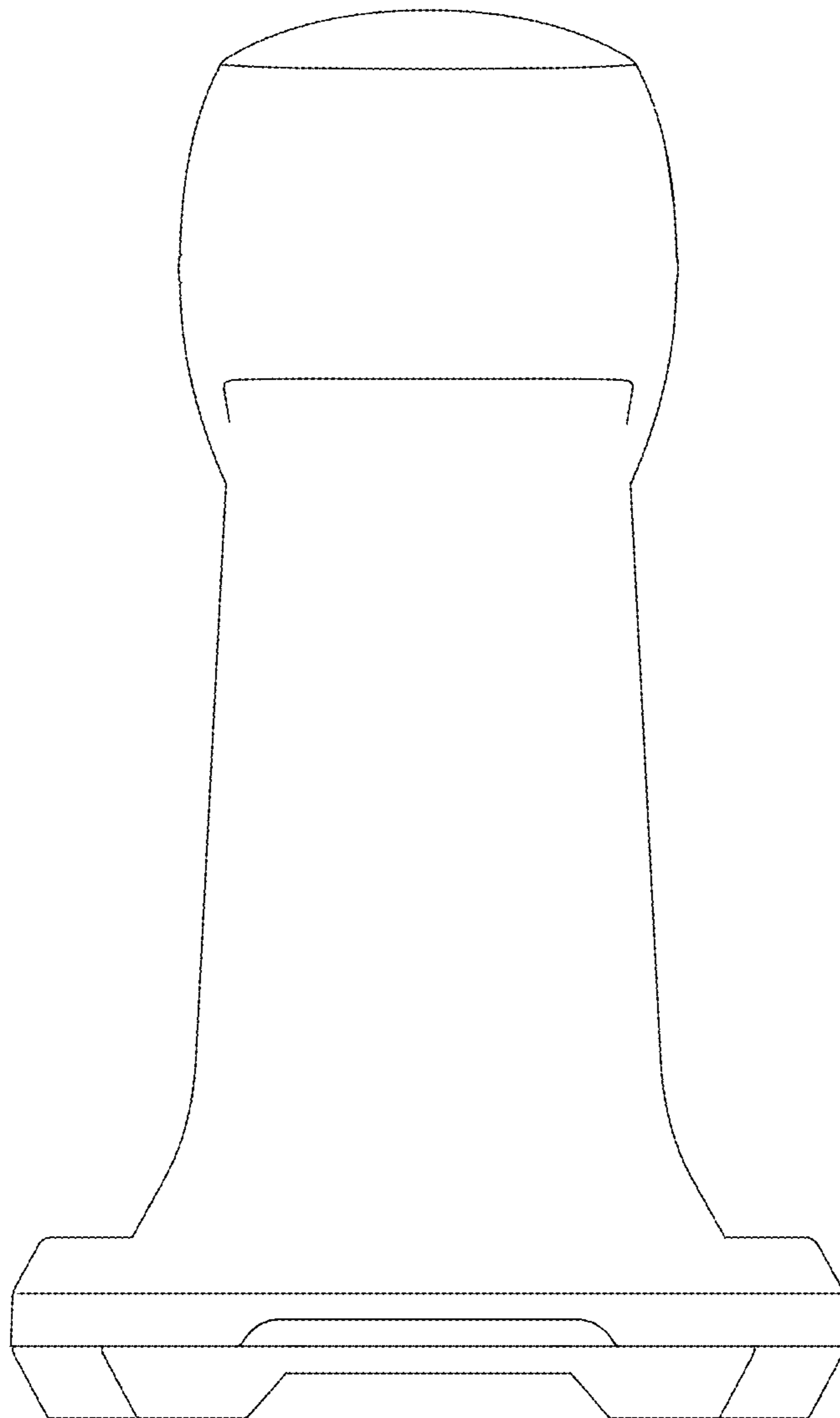


Fig. 4

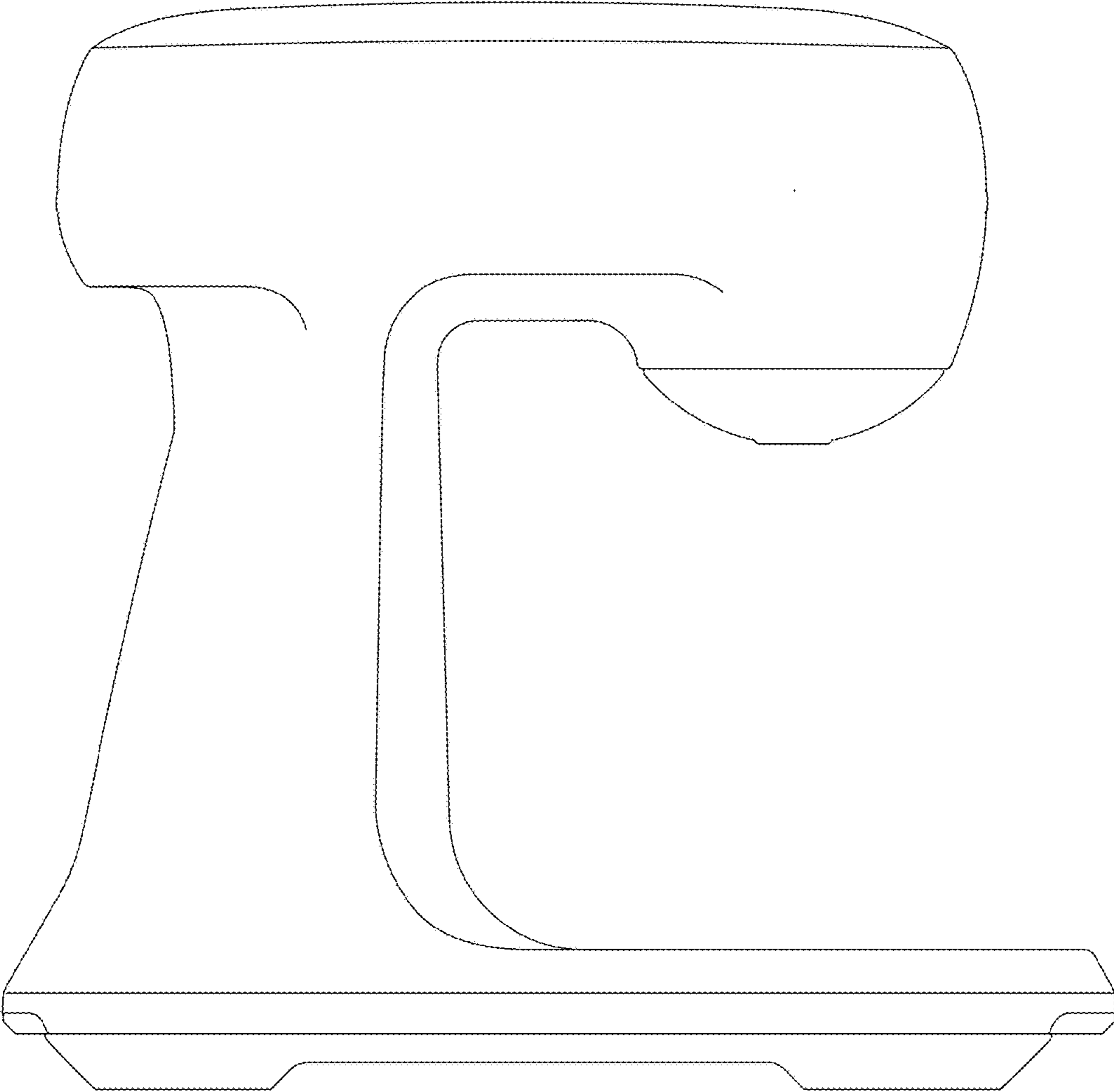


Fig. 5

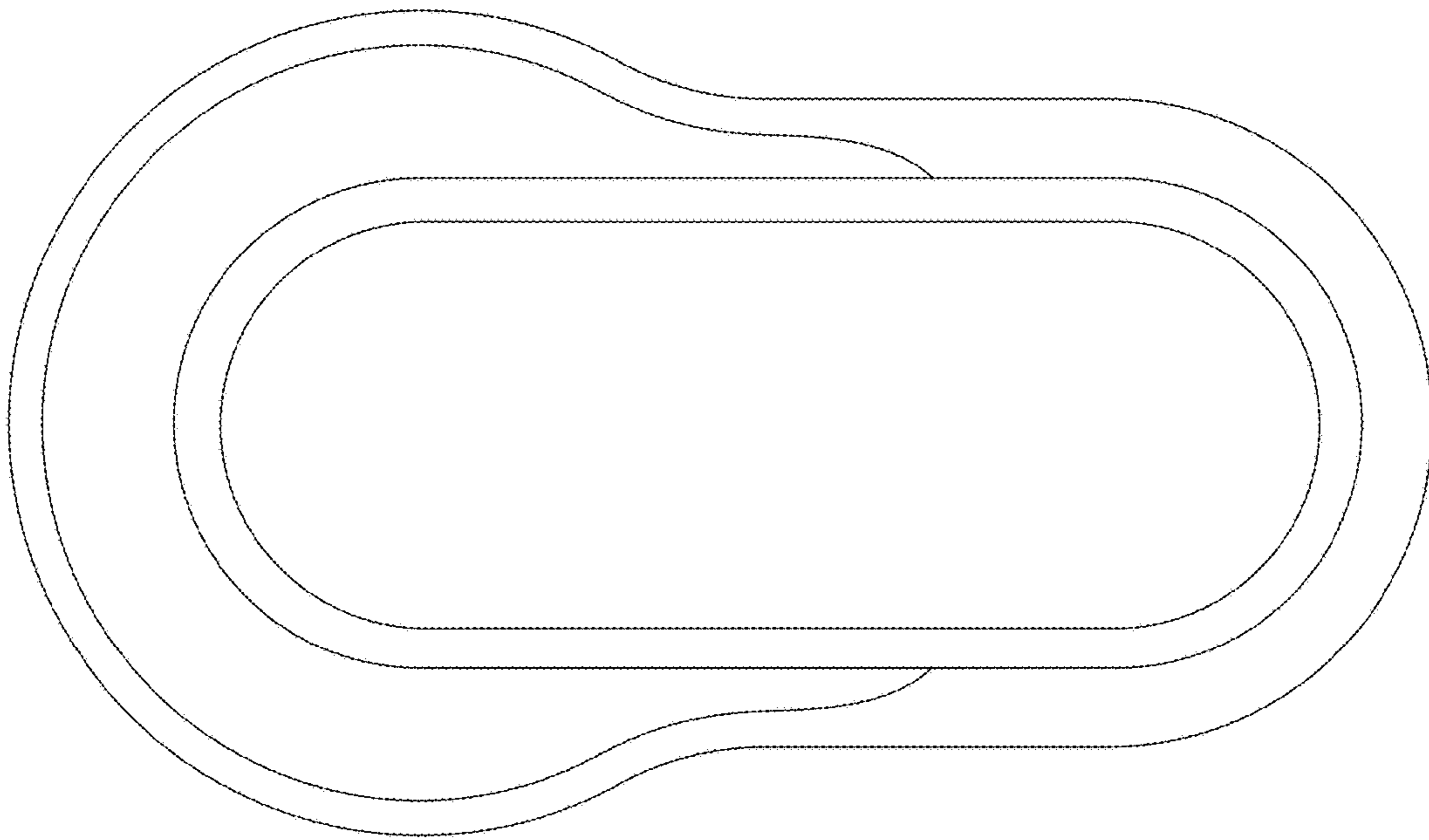


Fig. 6

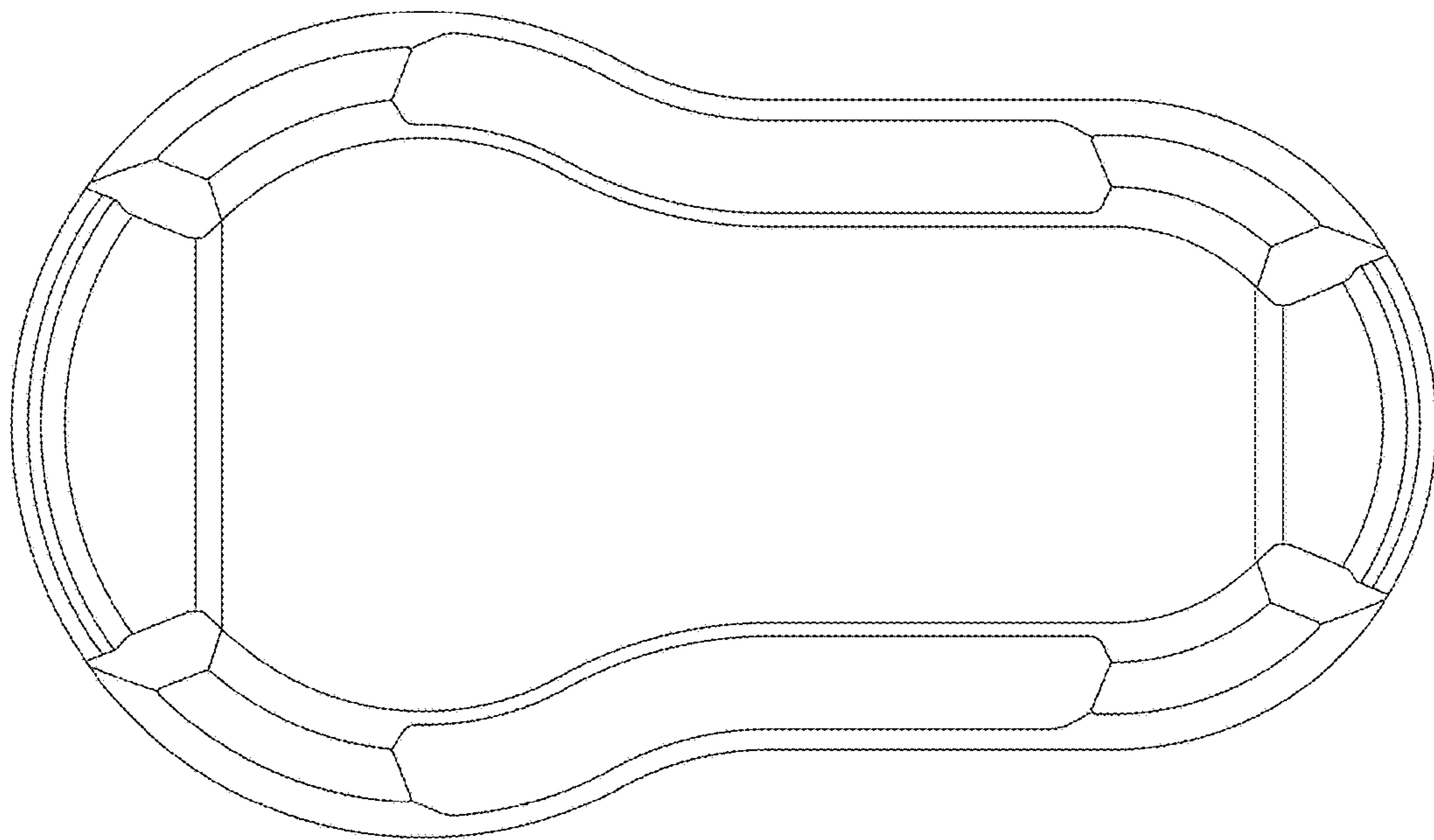


Fig. 7

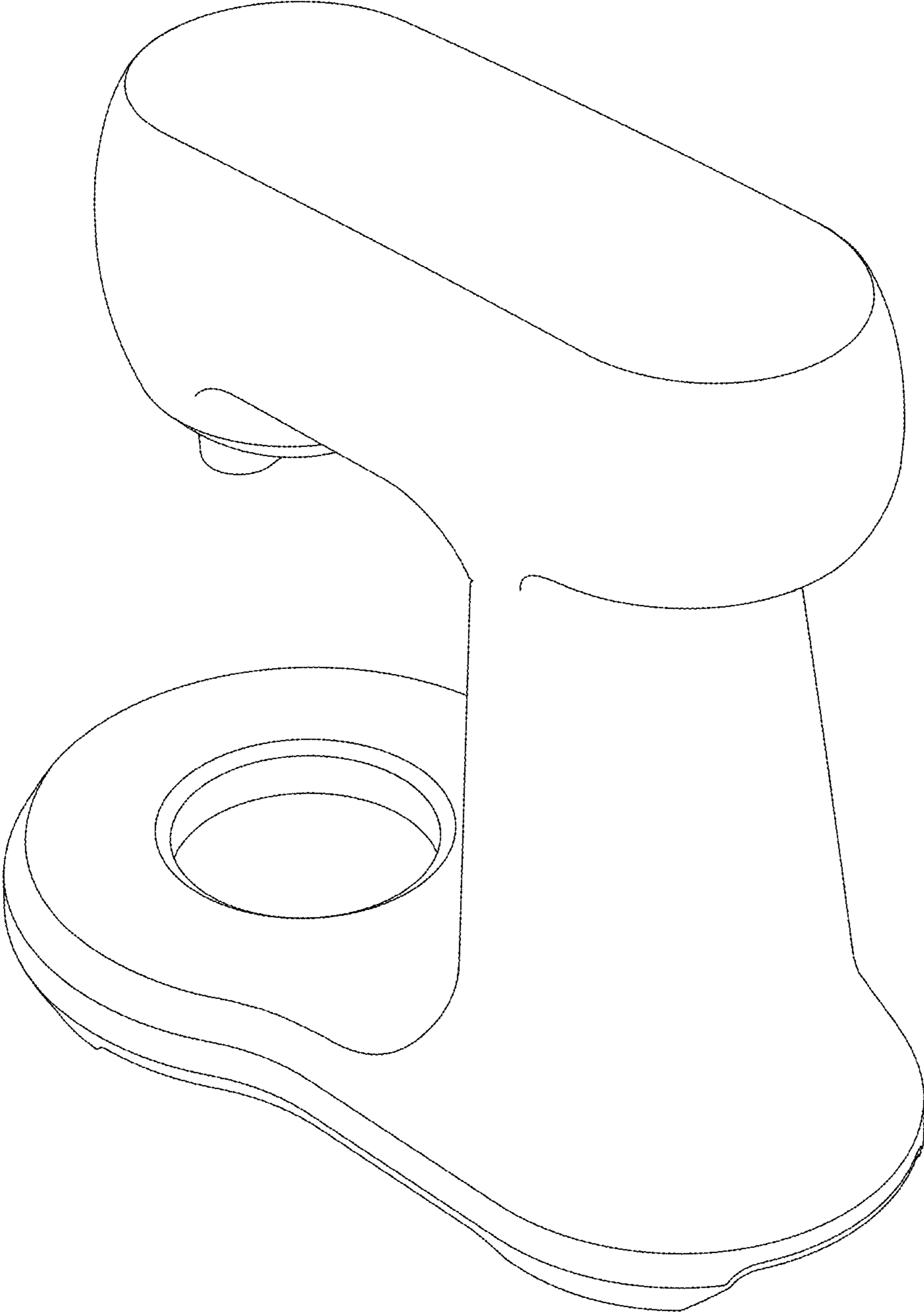


Fig. 8