



US00D796253S

(12) **United States Design Patent**  
**Shen et al.**

(10) **Patent No.:** **US D796,253 S**

(45) **Date of Patent:** **\*\* Sep. 5, 2017**

(54) **INFRARED ELECTRIC HEATING ELEMENT**

(71) Applicant: **Zhejiang Jiu Kang Electric Appliances Co., Ltd., Jiaxing (CN)**

(72) Inventors: **Chunlei Shen, Jiaxing (CN); Chengnian Wu, Jiaxing (CN)**

(73) Assignee: **Zhejiang Jiu Kang Electric Appliances Co., Ltd., Jiaxing (CN)**

(\*\*) Term: **15 Years**

(21) Appl. No.: **29/558,464**

(22) Filed: **Mar. 18, 2016**

(51) **LOC (10) Cl.** ..... **07-02**

(52) **U.S. Cl.**

USPC ..... **D7/362**

(58) **Field of Classification Search**

USPC ..... D7/332-334, 352-355, 357, 359-360, D7/362-365, 367-368, 372, 376-378, D7/386, 402, 407, 412, 602, 605, 611, D7/629, 669; D9/420, 424-426, D9/503-504, 643, 756-757, 761-762  
CPC .. A21B 3/13; A21B 5/023; A47J 27/60; A47J 27/62; A47J 3704/06; A47J 3704/067; A47J 3704/0605; A47J 3704/0611; A47J 3704/0623; A47J 3704/0629; A47J 3704/0676; A47J 2037/06; A47J 2037/0611; F24C 15/10; F24C 15/102; H05B 6/02; H05B 6/062

See application file for complete search history.

(56) **References Cited**

**U.S. PATENT DOCUMENTS**

- 4,288,686 A \* 9/1981 Cretors ..... H01H 37/70 219/494
- D299,408 S \* 1/1989 Kicherer ..... D7/367
- D326,982 S \* 6/1992 Schreder ..... D7/407
- D330,276 S \* 10/1992 Mitchum, Jr. .... D34/27
- D340,164 S \* 10/1993 Koch ..... D7/363
- D359,653 S \* 6/1995 Higgins ..... D7/407
- D369,516 S \* 5/1996 Higgins ..... 219/460.1

(Continued)

**OTHER PUBLICATIONS**

80mm Infrared Electric Coil Hot Plate, posted at Globalsources.com, posted on © 2017, site visited Mar. 27, 2017, <<http://www.globalsources.com/si/AS/Jiangmen-Honghui/6008829882219/pdtl/80mm-Infrared-Electric-Coil-Hot-Plate-Warmer-450W/1122612537.htm>>.\*

(Continued)

*Primary Examiner* — Barbara Fox

*Assistant Examiner* — Messina L Smith

(74) *Attorney, Agent, or Firm* — Morgan, Lewis & Bockius LLP

(57) **CLAIM**

The ornamental design for an infrared electric heating element, as shown and described.

**DESCRIPTION**

FIG. 1 is a side bottom perspective view of an infrared electric heating element of our new design.

FIG. 2 is a top side perspective view of the infrared electric heating element of our new design.

FIG. 3 is a bottom view of the infrared electric heating element of our new design.

FIG. 4 is a top view of the infrared electric heating element of our new design.

FIG. 5 is a front view of the infrared electric heating element of our new design.

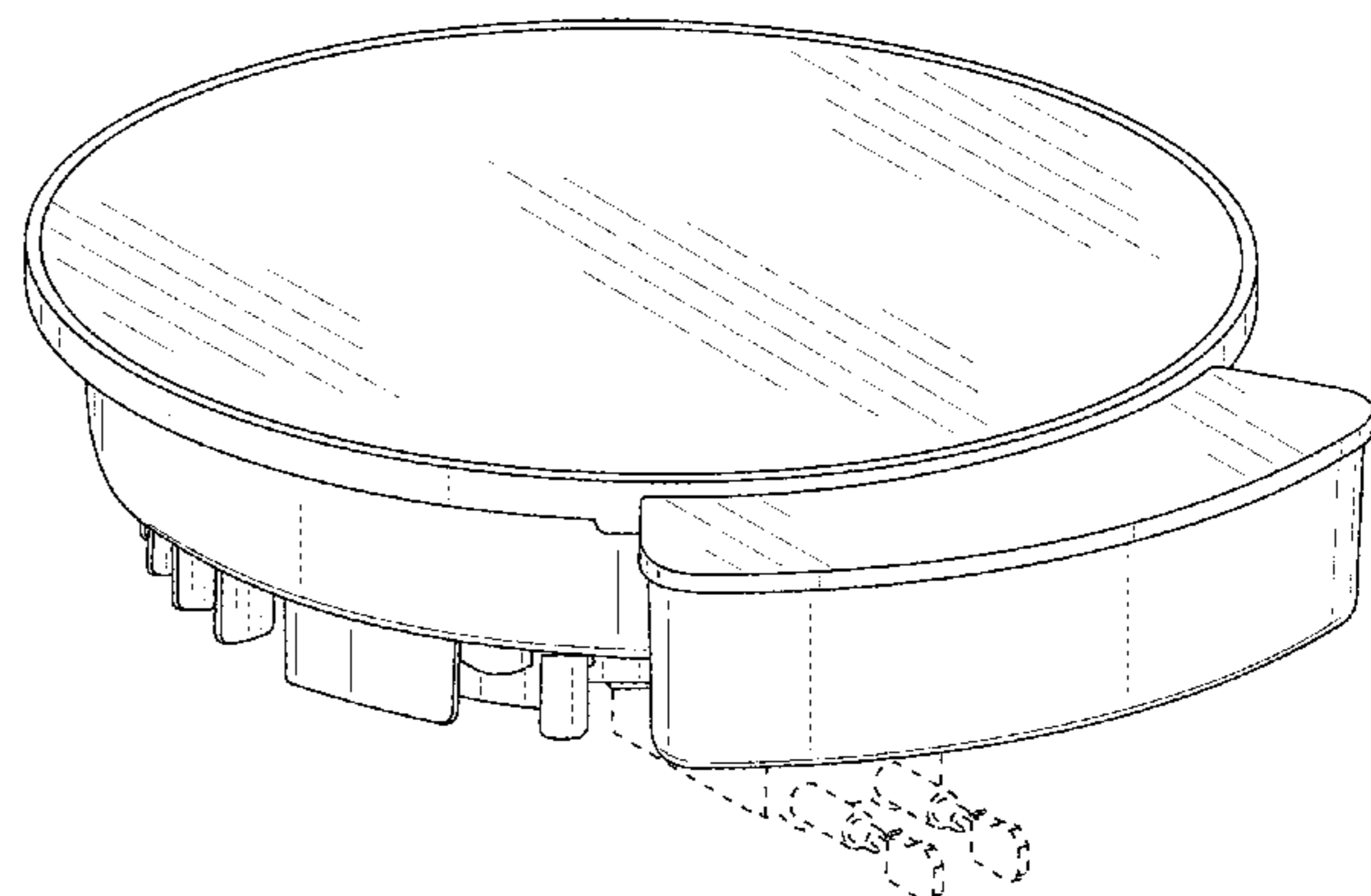
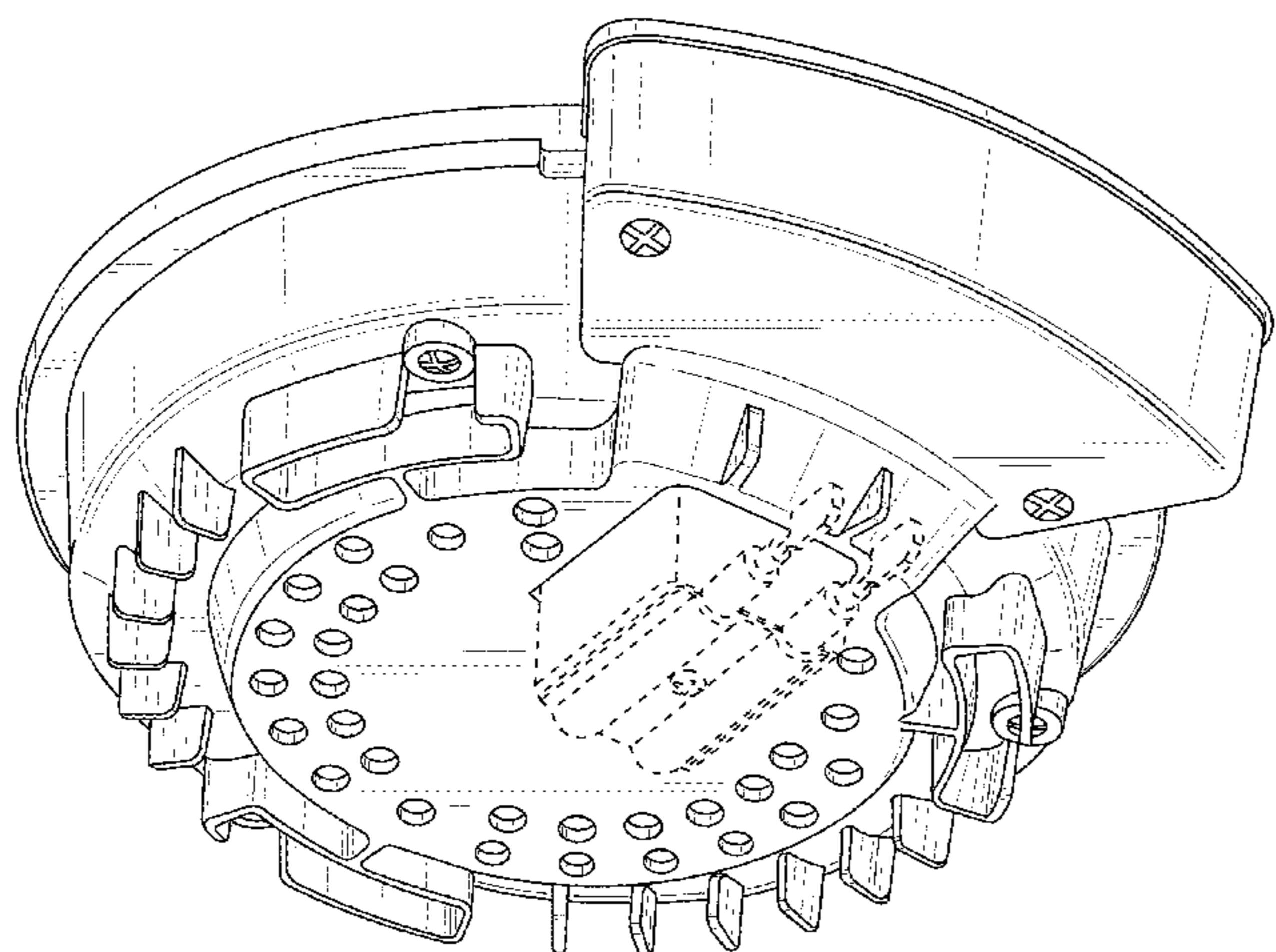
FIG. 6 is a back view of the infrared electric heating element of our new design.

FIG. 7 is a left side view of the infrared electric heating element of our new design; and,

FIG. 8 is a right side view of the infrared electric heating element of our new design.

The broken lines shown illustrate portions of the infrared electric heating element that form no part of the claimed design.

**1 Claim, 8 Drawing Sheets**



(56)

**References Cited**

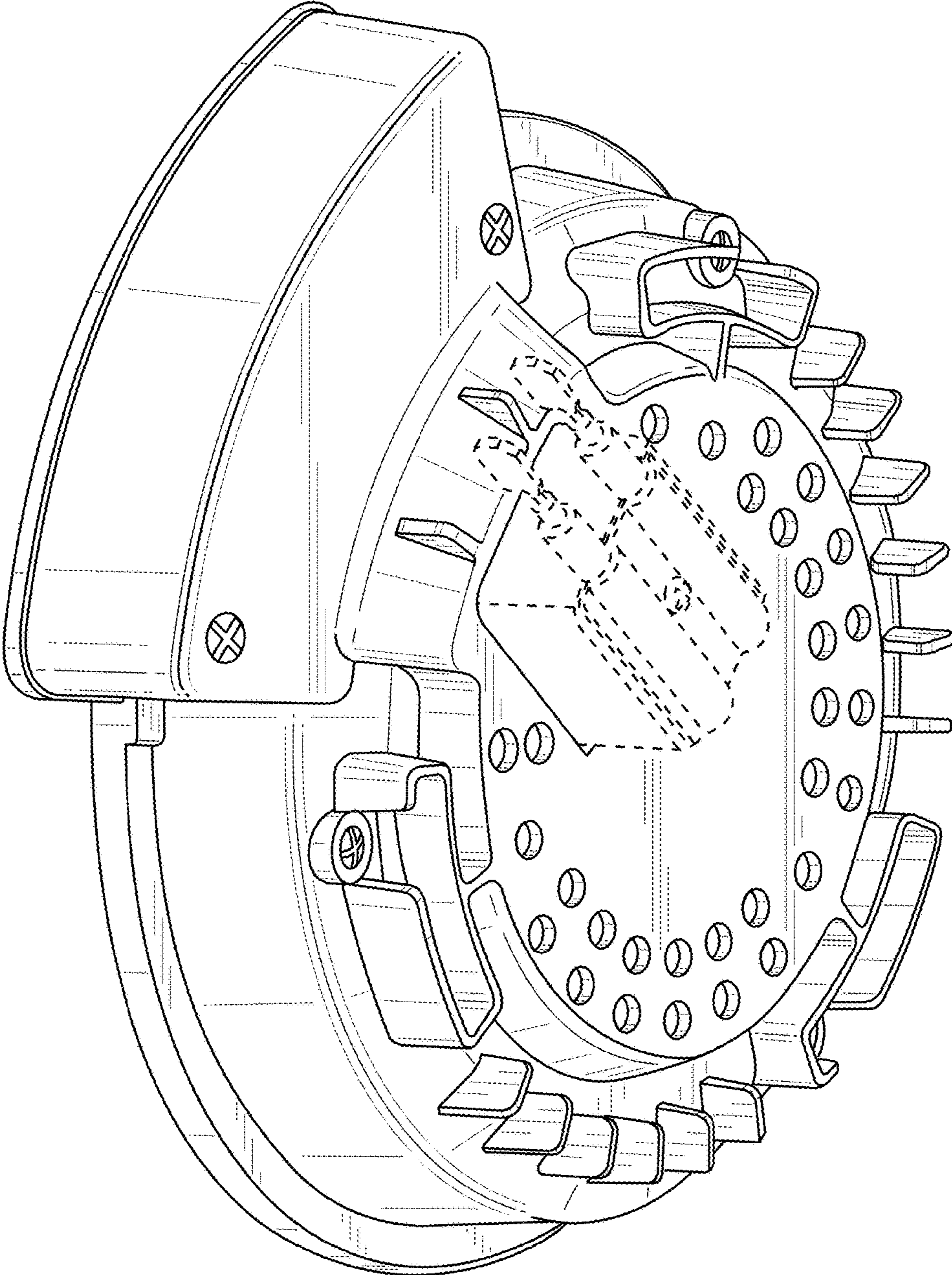
U.S. PATENT DOCUMENTS

D372,638 S \* 8/1996 McWilliams ..... D7/407  
D378,485 S \* 3/1997 Pena Angarita ..... D7/362  
D417,363 S \* 12/1999 Deo ..... D7/407  
D432,863 S \* 10/2000 Carter ..... D7/407  
D433,281 S \* 11/2000 Carter ..... D7/407  
D468,963 S \* 1/2003 Pai ..... D7/407  
D501,117 S \* 1/2005 Bassill ..... D7/367  
D524,105 S \* 7/2006 Poltronieri ..... D7/407  
D564,296 S \* 3/2008 Koch ..... D7/407  
D635,394 S \* 4/2011 Brattoli ..... D7/367  
D636,218 S \* 4/2011 France ..... D7/354  
D636,630 S \* 4/2011 Shingler ..... D7/367  
2012/0152932 A1 \* 6/2012 Moon ..... H05B 6/1209  
219/601  
2015/0028022 A1 \* 1/2015 Moon ..... H05B 6/062  
219/622  
2017/0064775 A1 \* 3/2017 Richardson ..... H05B 6/062

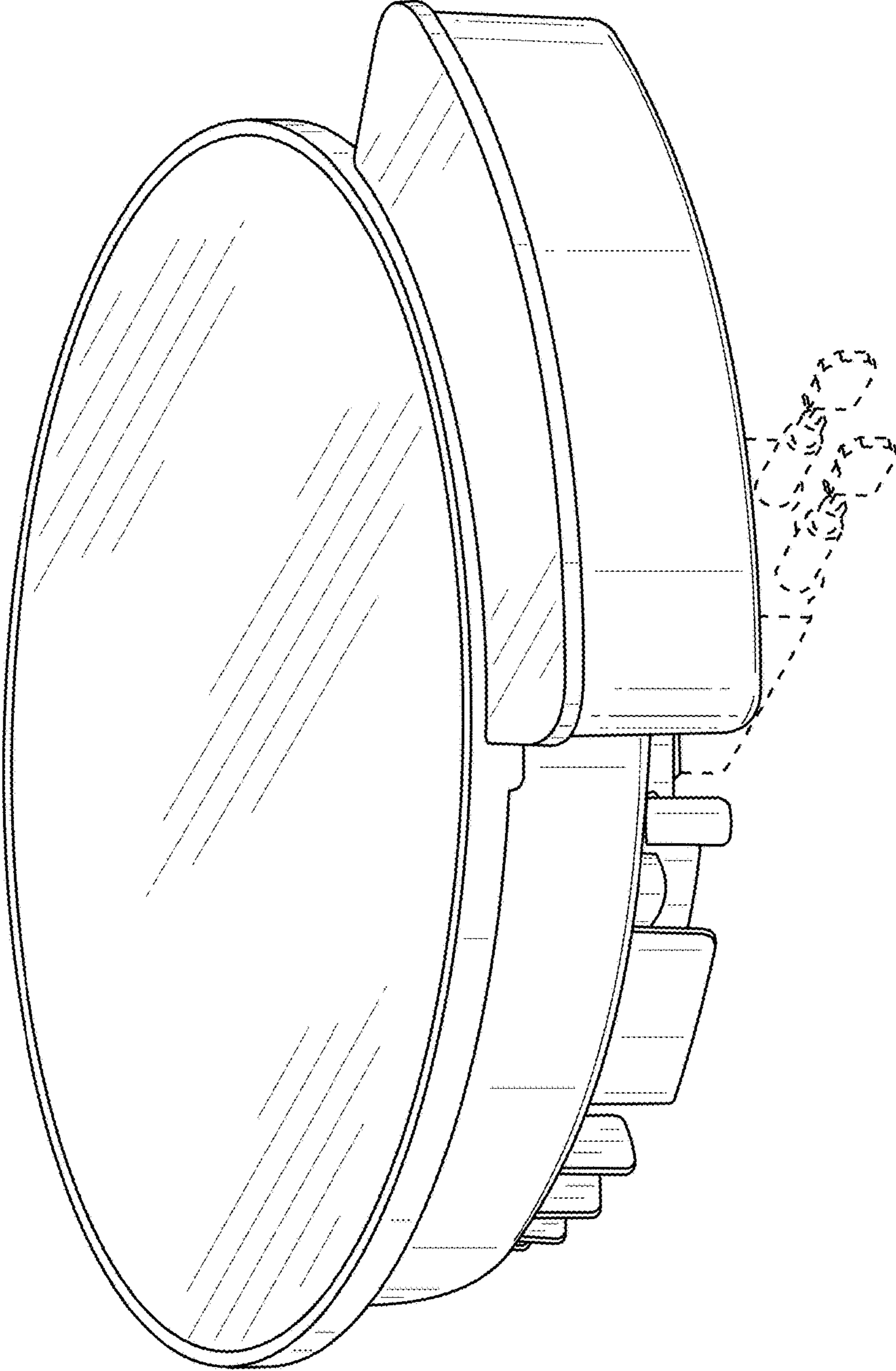
OTHER PUBLICATIONS

195MM built-in/desktop round hot pot induction cooker, posted at dhgate.com, posted on © 2004-2017, site visited Mar. 27, 2017, <<http://www.dhgate.com/store/product/195mm-built-in-desktop-round-hot-pot-induction/384335187.html>>.\*

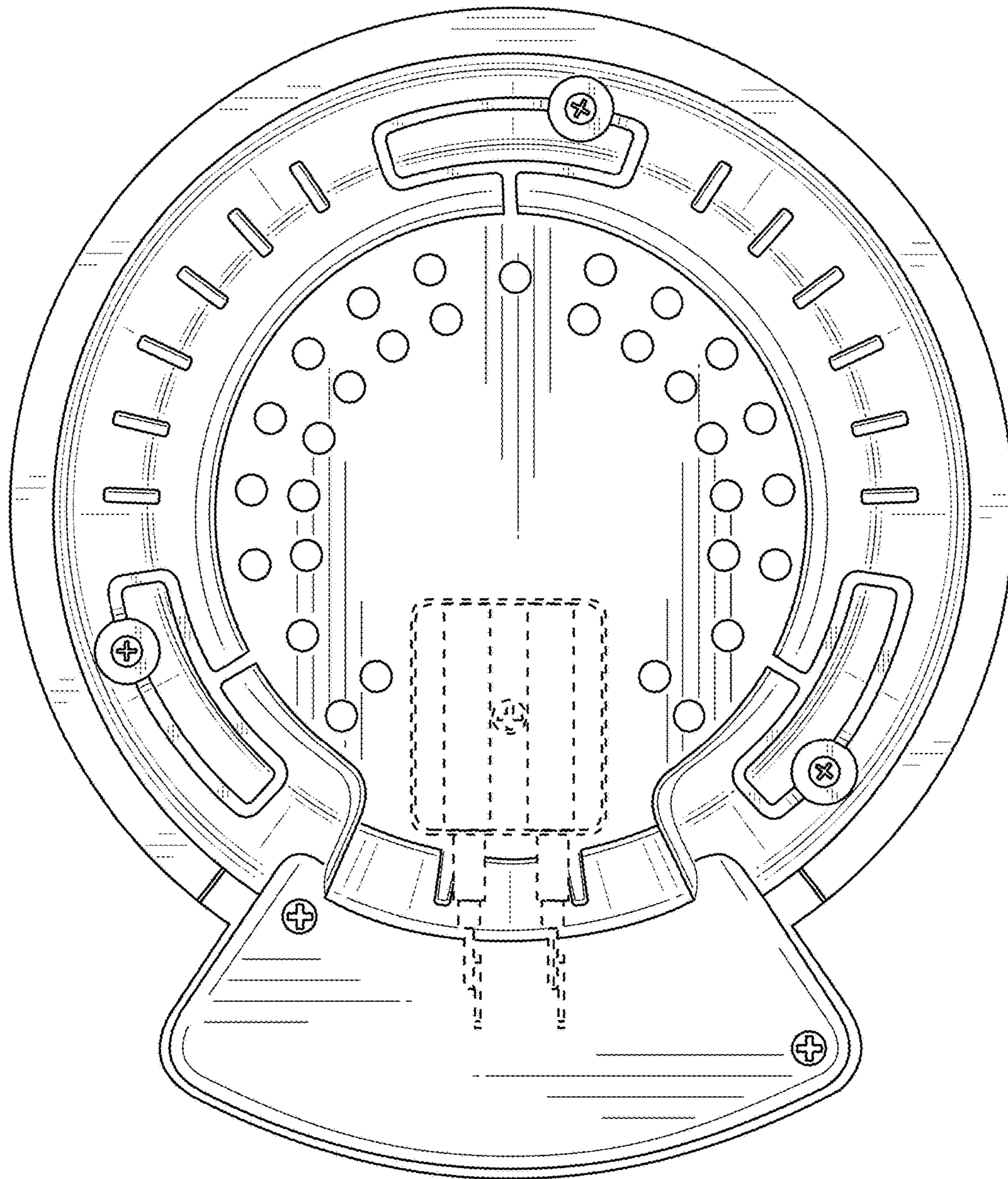
\* cited by examiner



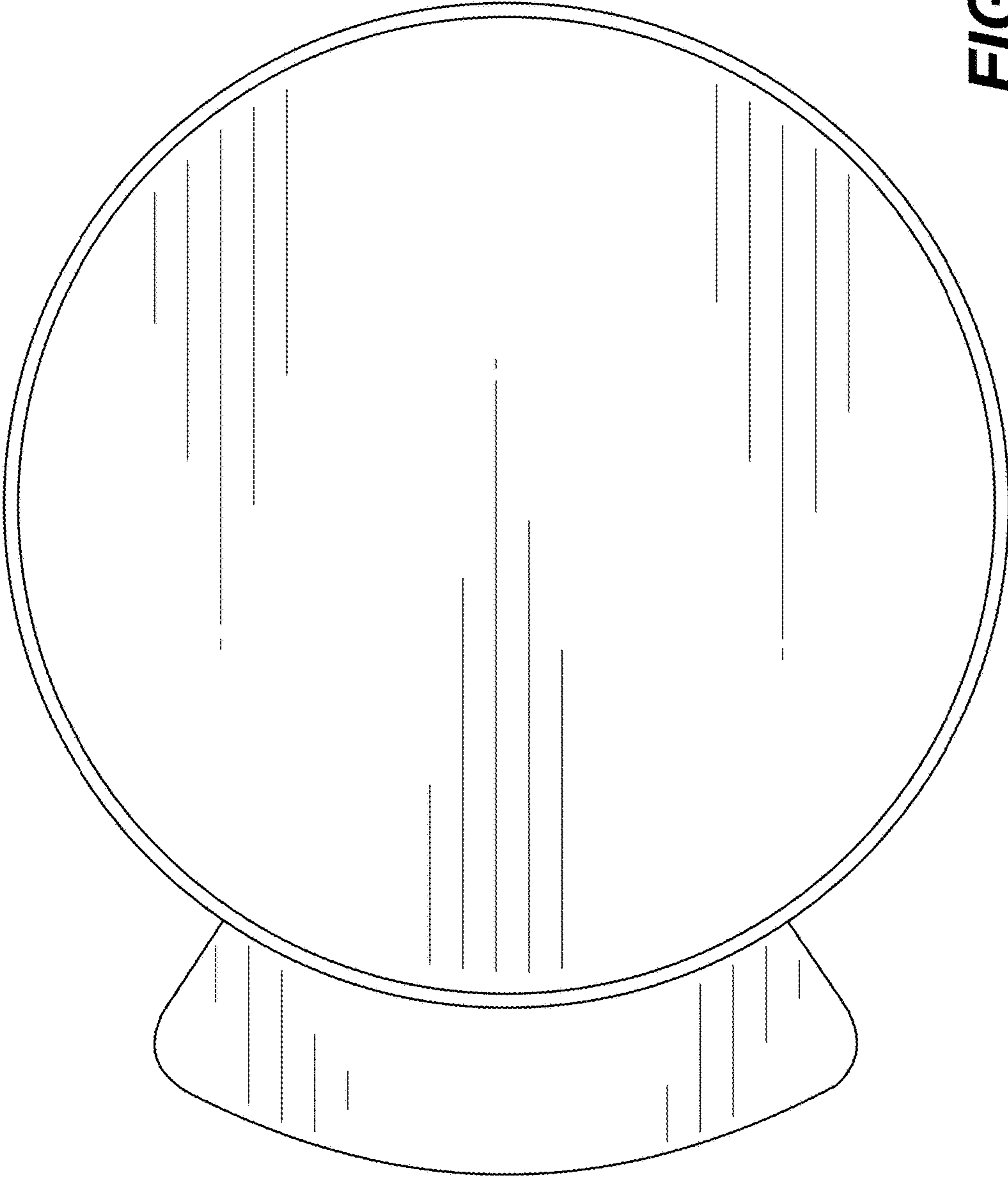
**FIG. 1**



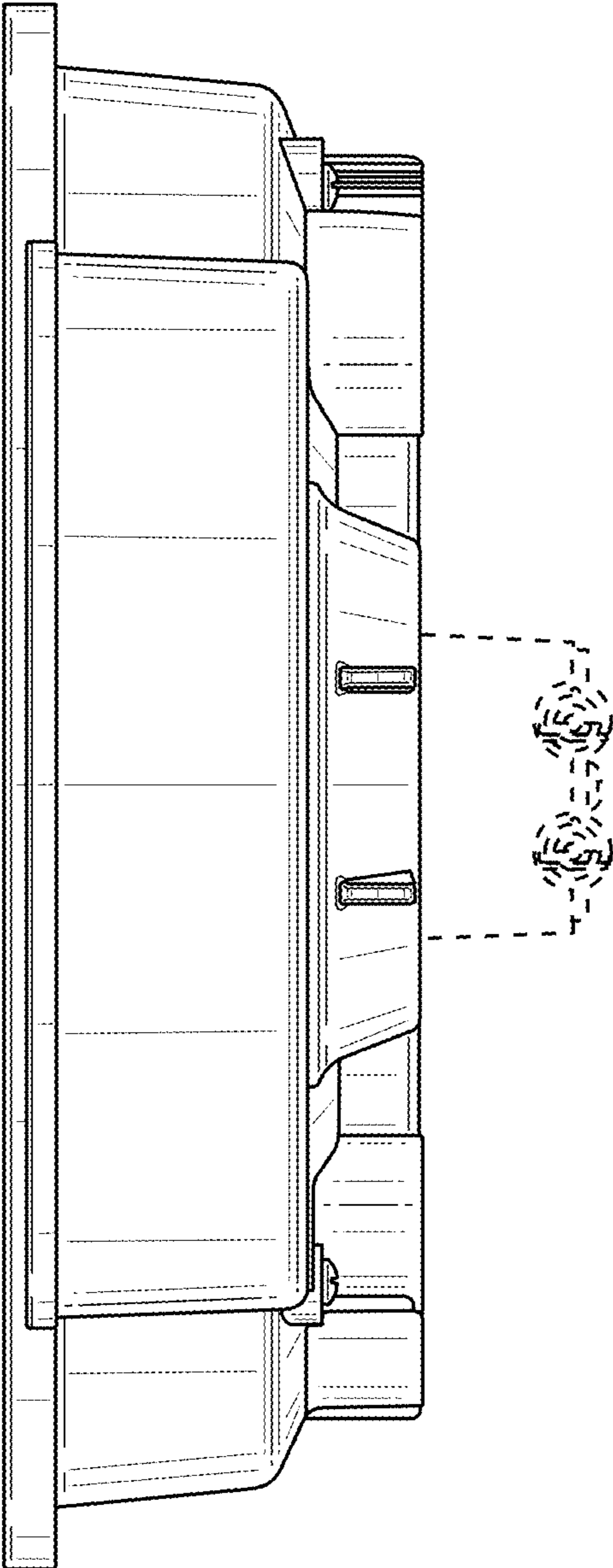
**FIG. 2**



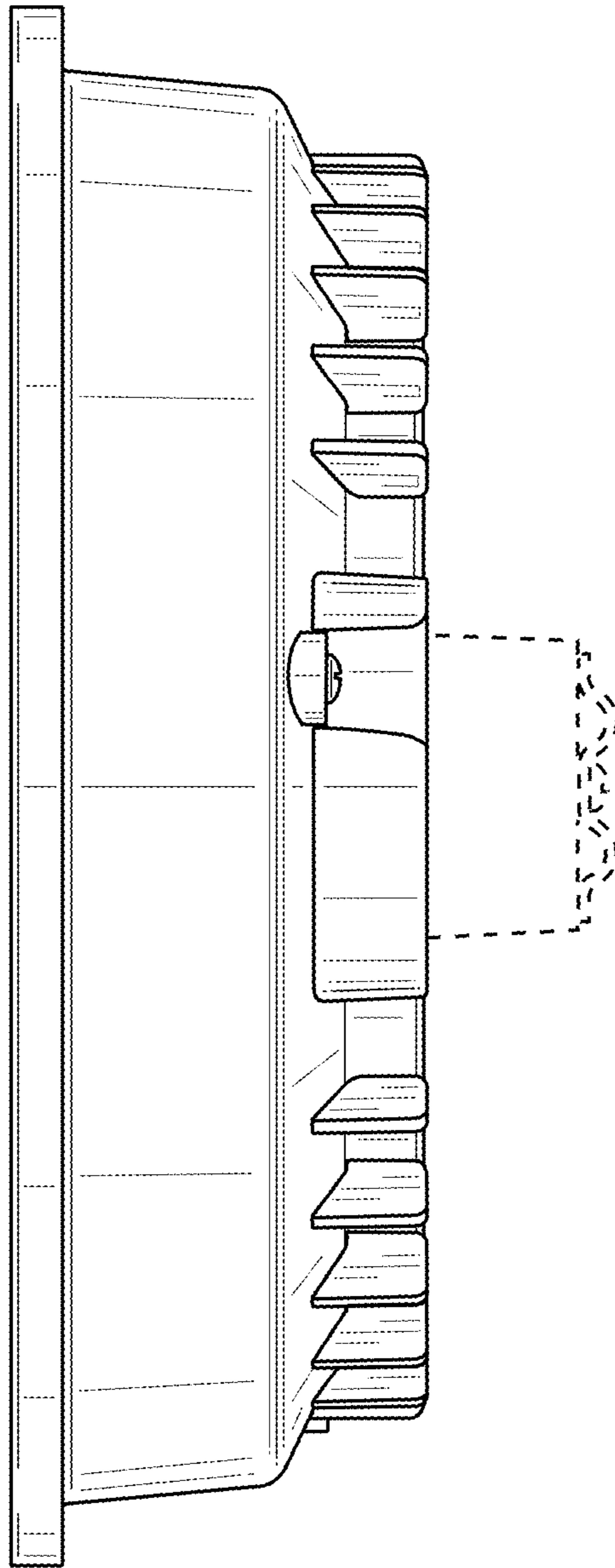
**FIG. 3**



**FIG. 4**

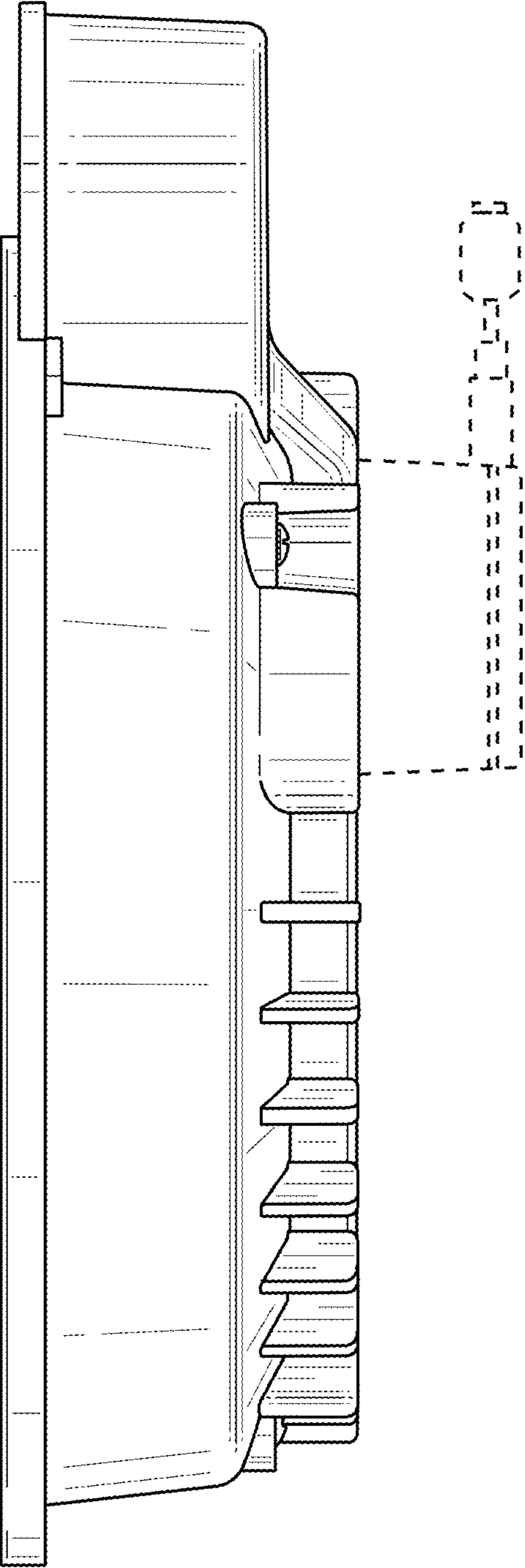


**FIG. 5**

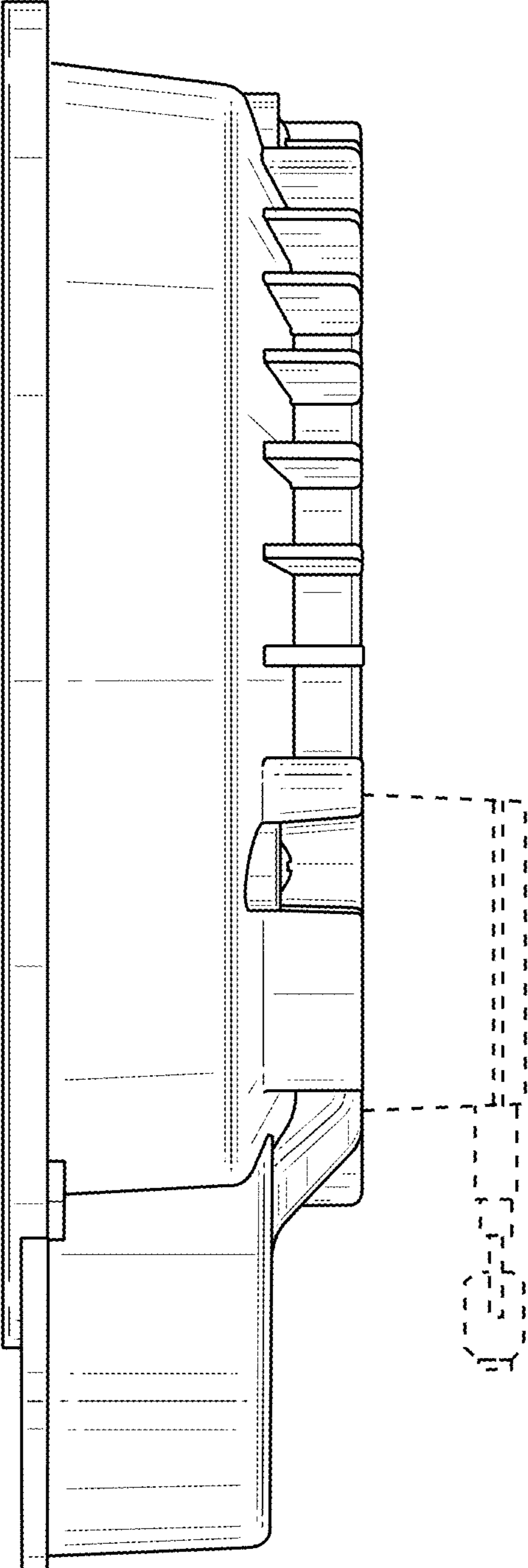


**FIG. 6**





**FIG. 7**



**FIG. 8**