



US00D796251S

(12) **United States Design Patent** (10) **Patent No.:** **US D796,251 S**
Dodane et al. (45) **Date of Patent:** **** Sep. 5, 2017**

(54) **OVEN DISH**
(71) Applicant: **CRISTEL**, Fesches-le-Châtel (FR)
(72) Inventors: **Paul Dodane**, Fesches le Châtel (FR);
Damien Dodane, Fesches le Châtel (FR)
(**) Term: **15 Years**
(21) Appl. No.: **35/500,762**
(22) Filed: **Oct. 1, 2015**
(80) **Hague Agreement Data**

Int. Filing Date: **Oct. 1, 2015**
Int. Reg. No.: **DM/087808**
Int. Reg. Date: **Oct. 1, 2015**
Int. Reg. Pub. Date: **Apr. 1, 2016**

(51) **LOC (10) CL.** **07-02**
(52) **U.S. CL.**
USPC **D7/360**
(58) **Field of Classification Search**
USPC D7/323, 354-363, 393-396, 543, 545,
D7/547, 548, 552.1, 709, 602, 629
CPC A47J 37/01; A47J 37/10; A47J 36/027;
A47J 36/025; A47J 27/00; A47J 45/061
See application file for complete search history.

(56) **References Cited**
U.S. PATENT DOCUMENTS

- 4,216,763 A * 8/1980 Miklas A47J 37/0623
126/275 R
- D276,870 S * 12/1984 Gulotta D7/354
- D292,363 S * 10/1987 Oh D7/354
- D305,086 S * 12/1989 Stewart D7/360
- D335,422 S * 5/1993 Mano D7/354
- D340,614 S * 10/1993 Kaeding D7/354
- D434,265 S * 11/2000 Tatlow D7/323
- D472,423 S * 4/2003 Swinford D7/359
- D483,622 S * 12/2003 Kim D7/629
- 6,823,773 B2 * 11/2004 Swinford A47J 37/0694
99/426
- D539,598 S * 4/2007 Groll D7/354

- D569,676 S * 5/2008 Millsap D7/354
- D574,179 S * 8/2008 DeLuca D7/354
- D588,396 S * 3/2009 Millsap D7/354
- D630,886 S * 1/2011 Thanasouk D7/354
- D638,254 S * 5/2011 Barber D7/354
- D655,575 S * 3/2012 Ruzika D7/543
- D672,190 S * 12/2012 Upston D7/354
- D677,514 S * 3/2013 Sarnoff D7/354
- D695,575 S * 12/2013 Katz D7/629
- D702,486 S * 4/2014 Bowden D7/354
- D708,913 S * 7/2014 Ng D7/629
- D759,421 S * 6/2016 Wiggins D7/602
- D769,080 S * 10/2016 Wiggins D7/629
- 2003/0000396 A1 * 1/2003 Leonard A47J 36/24
99/482
- 2013/0277264 A1 * 10/2013 Sarnoff A47J 45/062
206/514

OTHER PUBLICATIONS

Cristel France Stainless Steel Roaster, by Cristel USA, Amazon [online], date first available Nov. 12, 2015, [retrieved on Mar. 22, 2017]. Retrieved from the Internet <URL: https://www.amazon.com/Cristel-France-Stainless-Steel-Roaster/dp/B017WONBYS/ref=sr_1_23?s=home-garden&ie=UTF8&qid=1490196459&sr=1-23&keywords=cristel+pan>.*

* cited by examiner

Primary Examiner — Sheryl Lane
Assistant Examiner — Nicole Shiflet

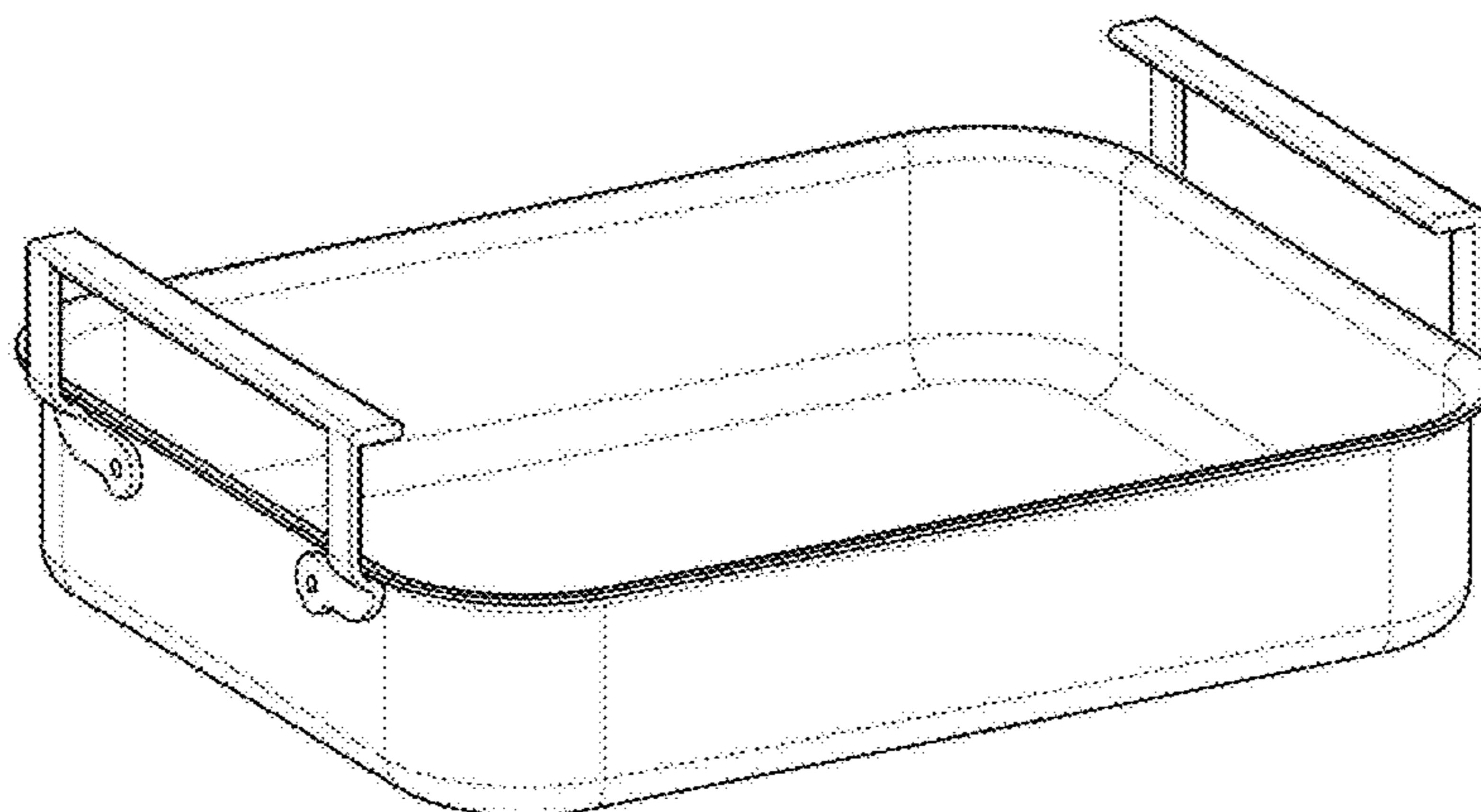
(57) **CLAIM**

The ornamental design for an oven dish, as shown and described.

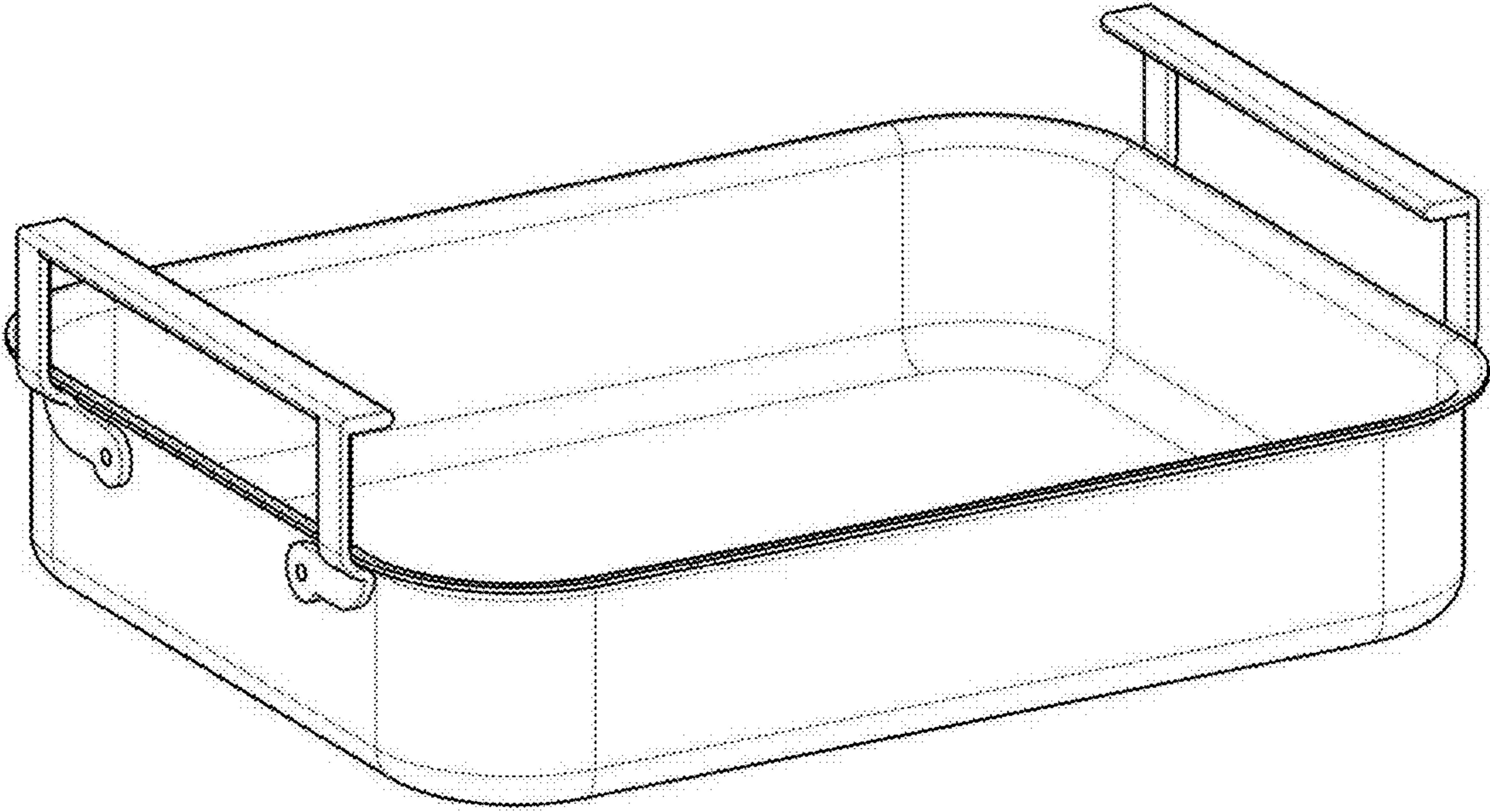
DESCRIPTION

- 1. Oven dish
- 1.1 : Perspective
- 1.2 : Bottom
- 1.3 : Top
- 1.4 : Front
- 1.5 : Right
- 1.6 : Left

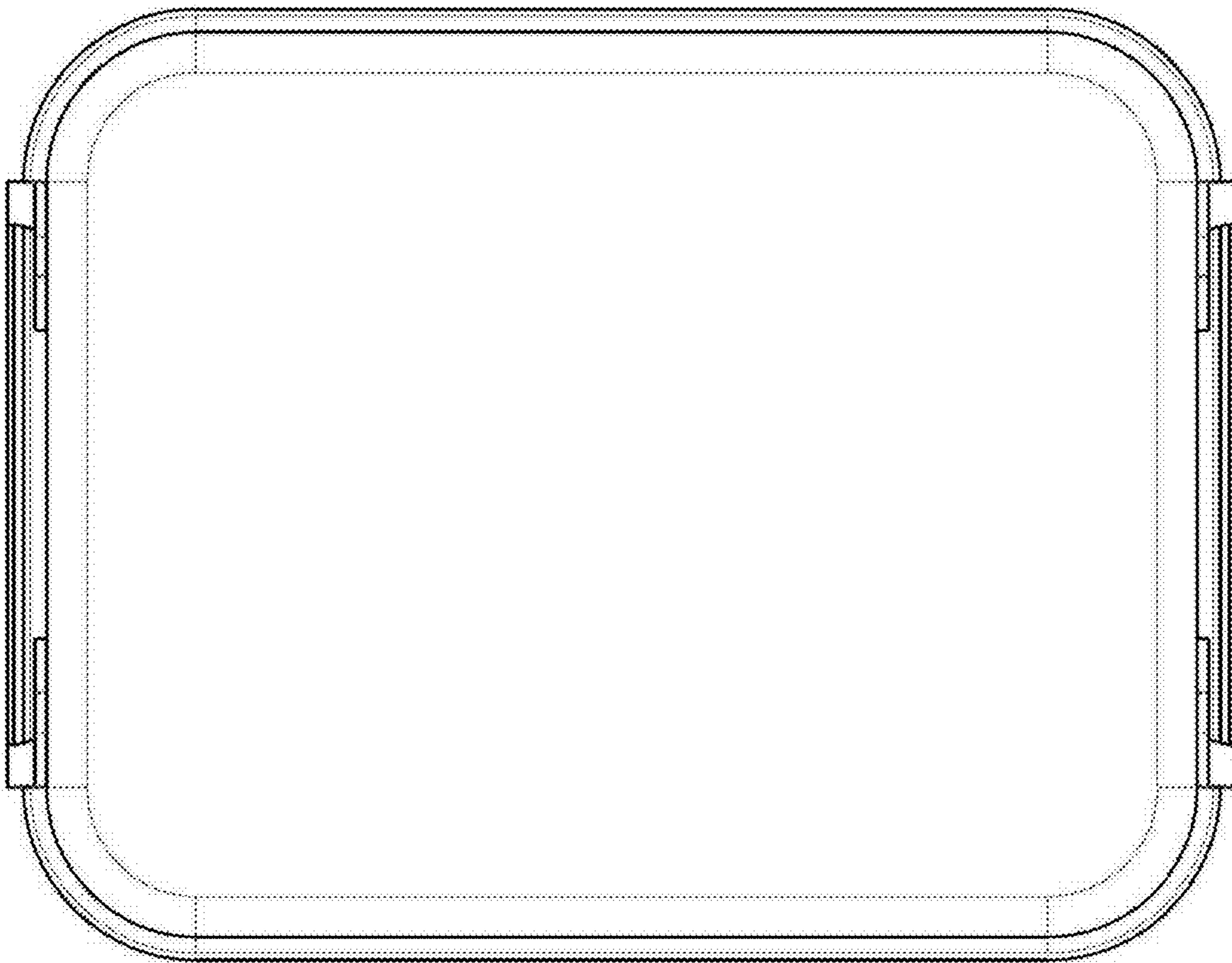
1 Claim, 6 Drawing Sheets



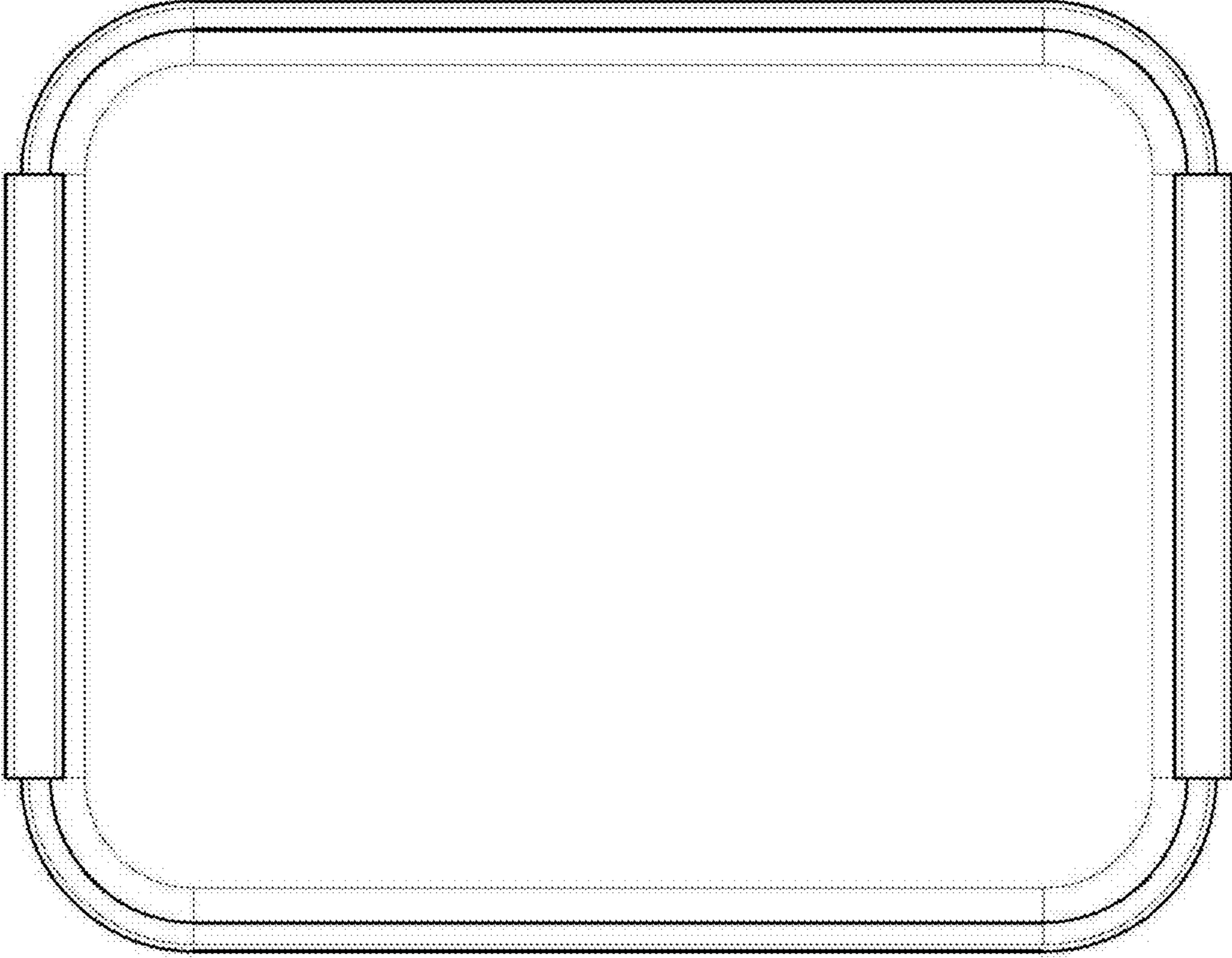
1.1



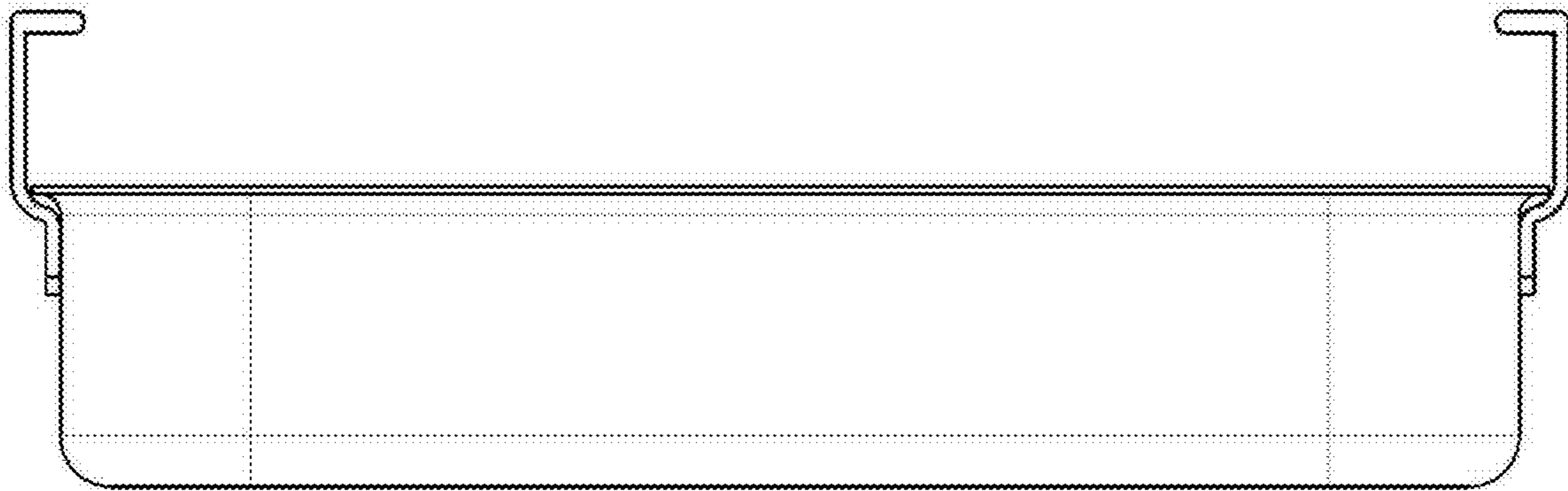
1.2



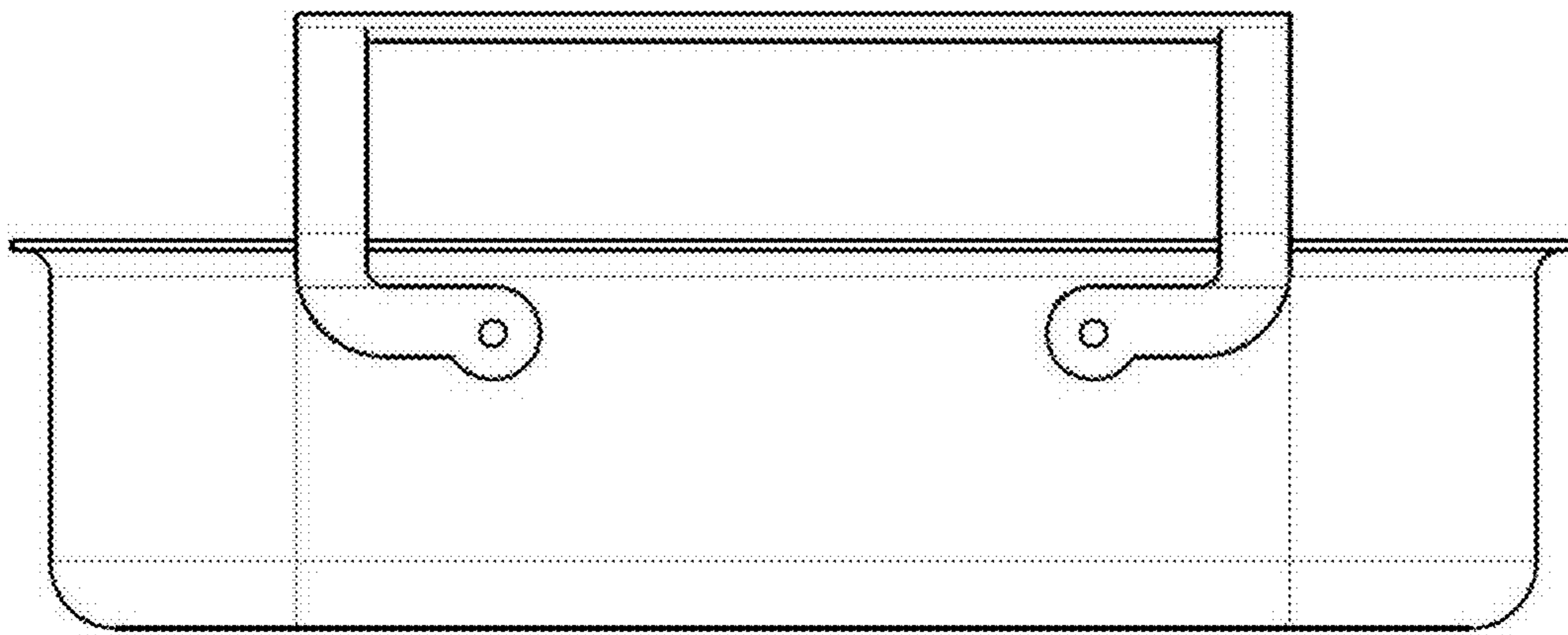
1.3



1.4



1.5



1.6

