



US00D796250S

(12) **United States Design Patent**
Chung

(10) **Patent No.:** **US D796,250 S**

(45) **Date of Patent:** **** Sep. 5, 2017**

- (54) **BARBECUE GRILL**
- (71) Applicant: **Shu-Jui Chung**, Taichung (TW)
- (72) Inventor: **Shu-Jui Chung**, Taichung (TW)
- (**) Term: **15 Years**
- (21) Appl. No.: **29/548,523**
- (22) Filed: **Dec. 15, 2015**
- (51) **LOC (10) Cl.** **07-02**
- (52) **U.S. Cl.**
USPC **D7/337**
- (58) **Field of Classification Search**
USPC D7/213, 323, 329, 330, 332, 334, 337,
D7/339, 340, 346, 347, 362, 367
CPC G05D 7/00; F24F 13/07; F24C 5/00; F24C
5/20; F24C 3/00; F24C 3/10; F24C 3/12;
F24C 15/06; F24C 15/10; F24C 15/16;
F24C 15/20; F24B 3/00; F23N 5/22;
B60H 3/00; B32B 15/04; A62C 3/00;
A47J 43/18; A47J 37/00; A47J 37/04;
A47J 37/06; A47J 37/07
See application file for complete search history.

(56) **References Cited**

U.S. PATENT DOCUMENTS

| | | | | | | |
|----------|---|---|---------|----------|-------|--------|
| D465,693 | S | * | 11/2002 | Coleman | | D7/334 |
| D494,004 | S | * | 8/2004 | Chapman | | D7/334 |
| D525,072 | S | * | 7/2006 | Wilgus | | D7/334 |
| D579,709 | S | * | 11/2008 | Proffitt | | D7/334 |
| D658,926 | S | * | 5/2012 | Chung | | D7/334 |
| D660,073 | S | * | 5/2012 | Chung | | D7/334 |
| D660,074 | S | * | 5/2012 | Chung | | D7/334 |
| D661,538 | S | * | 6/2012 | Chung | | D7/334 |
| D679,937 | S | * | 4/2013 | Chung | | D7/334 |
| D681,389 | S | * | 5/2013 | Goecke | | D7/334 |
| D687,667 | S | * | 8/2013 | Chien | | D7/334 |
| D687,669 | S | * | 8/2013 | Chung | | D7/334 |

| | | | | | | |
|--------------|----|---|---------|----------------|-------|-------------------------|
| D688,082 | S | * | 8/2013 | Crick | | D7/334 |
| D697,357 | S | * | 1/2014 | Goecke | | D7/334 |
| D712,191 | S | * | 9/2014 | Chung | | D7/334 |
| D717,097 | S | * | 11/2014 | Lin | | D7/334 |
| D722,809 | S | * | 2/2015 | Chung | | D7/334 |
| D722,810 | S | * | 2/2015 | Chung | | D7/334 |
| D723,321 | S | * | 3/2015 | Chung | | D7/334 |
| D723,860 | S | * | 3/2015 | Chung | | D7/334 |
| D726,491 | S | * | 4/2015 | Witzel | | D7/334 |
| D731,843 | S | * | 6/2015 | Chung | | D7/334 |
| D732,874 | S | * | 6/2015 | Chung | | D7/334 |
| D736,026 | S | * | 8/2015 | Kam | | D7/334 |
| D737,092 | S | * | 8/2015 | Lin | | D7/334 |
| D744,775 | S | * | 12/2015 | Yang | | D7/334 |
| D747,909 | S | * | 1/2016 | Simms, II | | D7/332 |
| D748,423 | S | * | 2/2016 | Chiang | | D7/334 |
| D753,430 | S | * | 4/2016 | Wagner | | D7/334 |
| D769,667 | S | * | 10/2016 | Ting | | D7/332 |
| D773,229 | S | * | 12/2016 | Jaggard | | D7/334 |
| D773,879 | S | * | 12/2016 | Magee | | D7/334 |
| D776,476 | S | * | 1/2017 | Euwer | | D7/334 |
| 2010/0132689 | A1 | * | 6/2010 | Contarino, Jr. | | A47J 37/067 126/25 B |

(Continued)

Primary Examiner — Manpreet Matharu

Assistant Examiner — Suzanne Tisdell

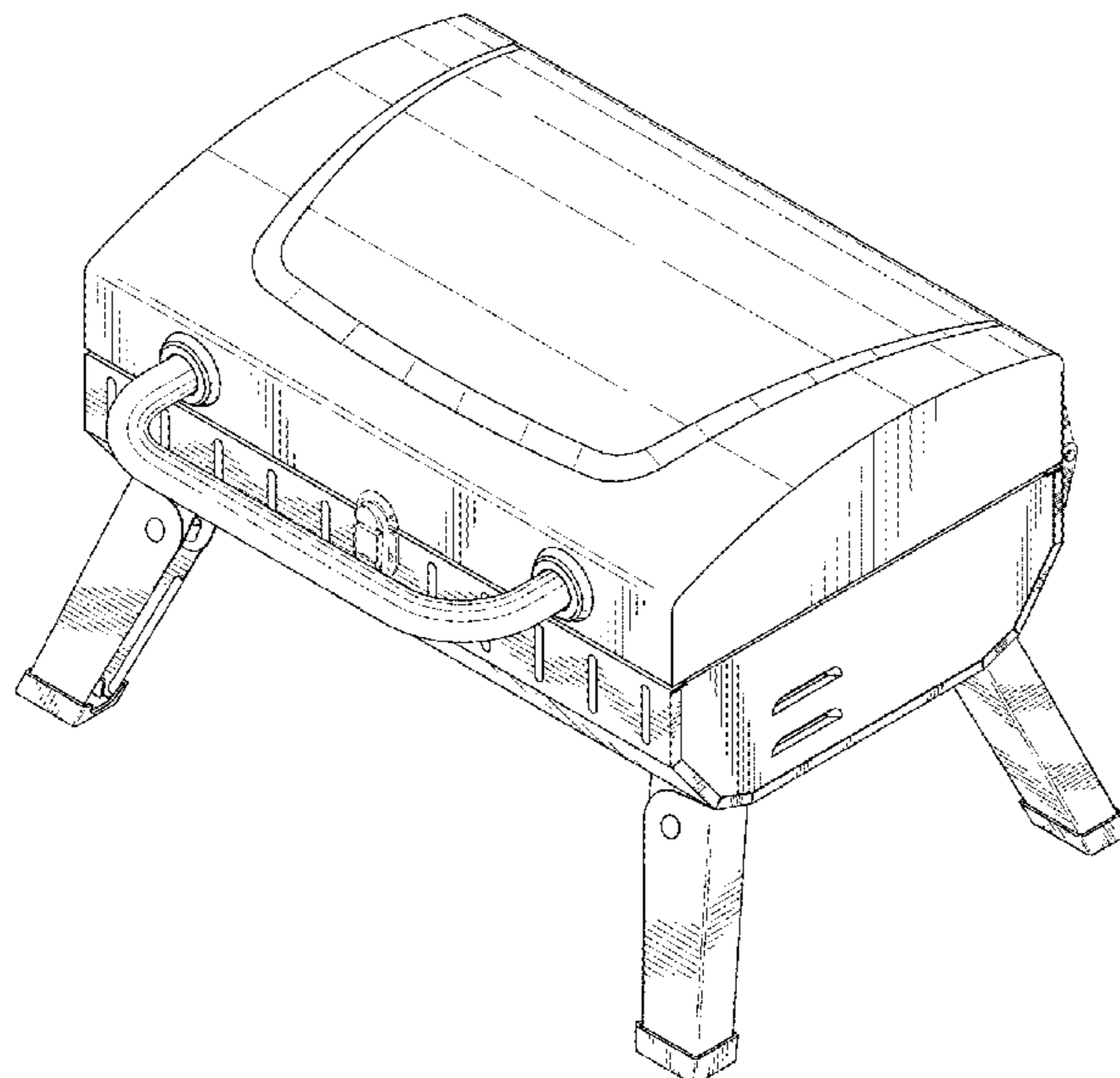
(57) **CLAIM**

I claim the ornamental design for a barbecue grill, as shown and described.

DESCRIPTION

FIG. 1 is a perspective view of a barbecue grill in accordance with the present invention, showing my design; FIG. 2 is a front elevational view thereof; FIG. 3 is a rear elevational view thereof; FIG. 4 is a left side elevational view thereof; FIG. 5 is a right side elevational view thereof; FIG. 6 is a top plan view thereof; and, FIG. 7 is a bottom plan view thereof.

1 Claim, 7 Drawing Sheets



(56)

References Cited

U.S. PATENT DOCUMENTS

2013/0112088 A1* 5/2013 May A47J 37/07
99/421 H
2014/0261378 A1* 9/2014 Barreto A47J 37/0713
126/25 R
2014/0318524 A1* 10/2014 Measom A47J 37/0704
126/25 R
2015/0004297 A1* 1/2015 Pothetes A47J 37/00
426/523
2016/0208837 A1* 7/2016 Chang F16B 5/02

* cited by examiner

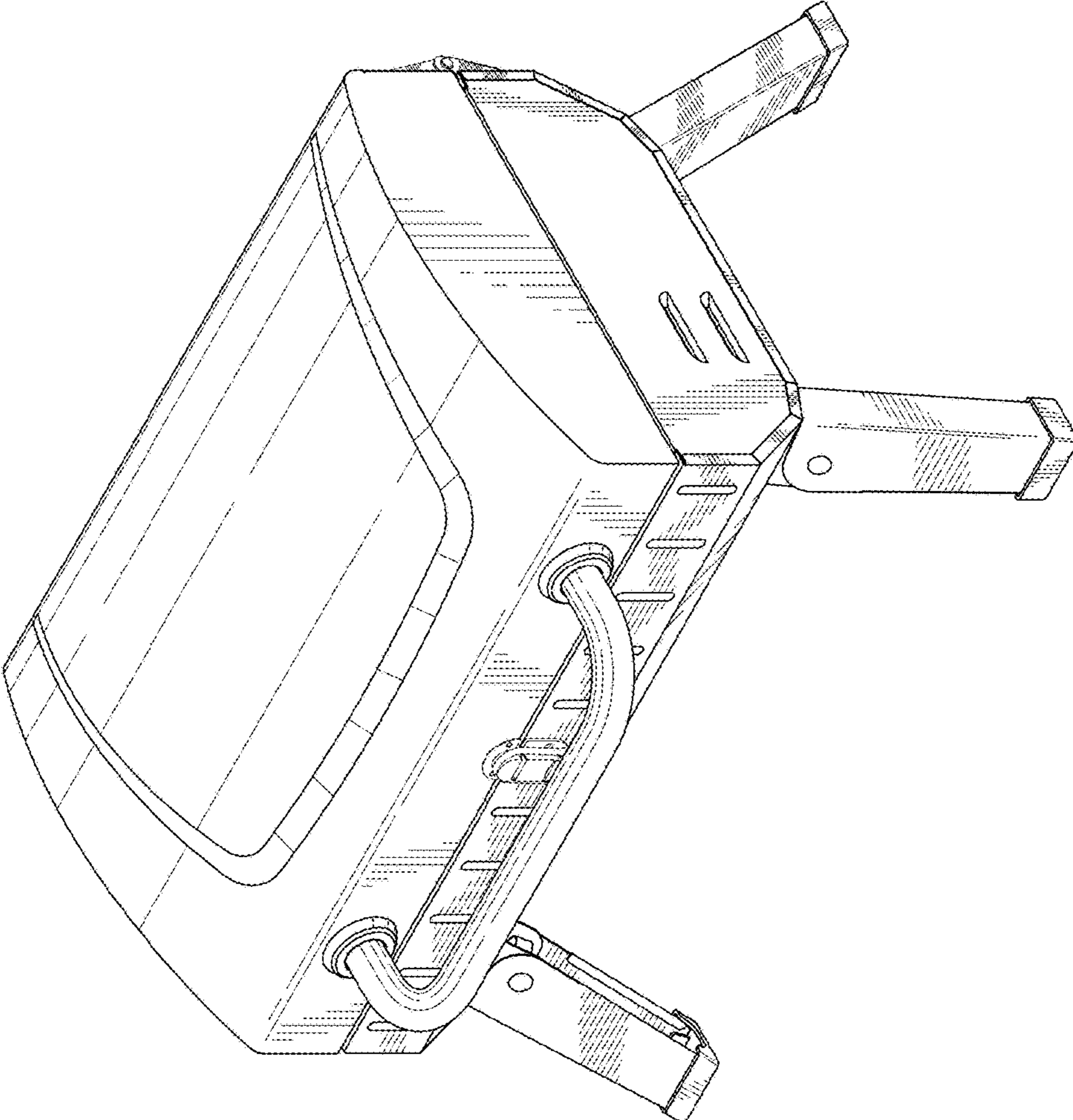


FIG.1

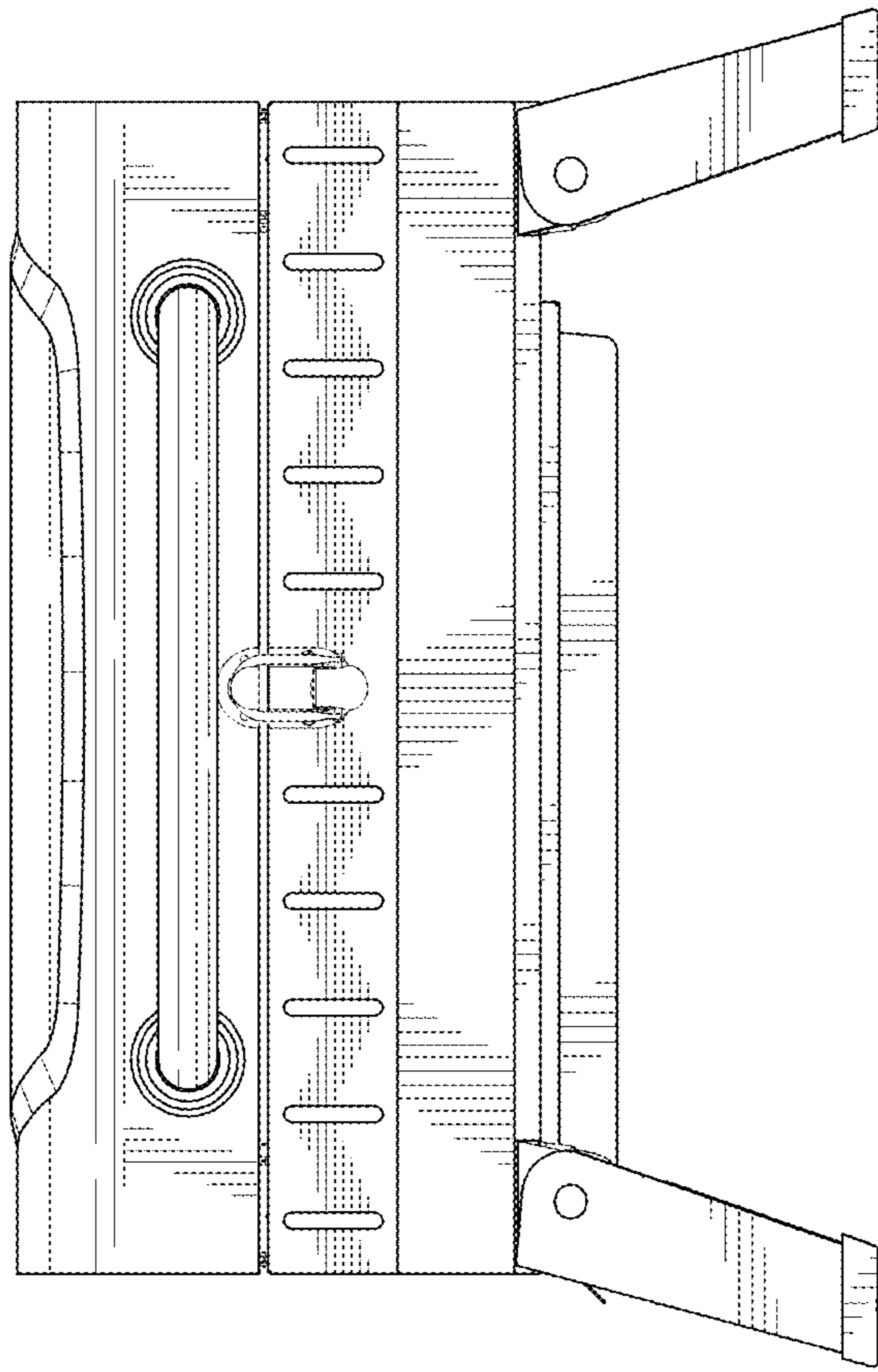


FIG.2

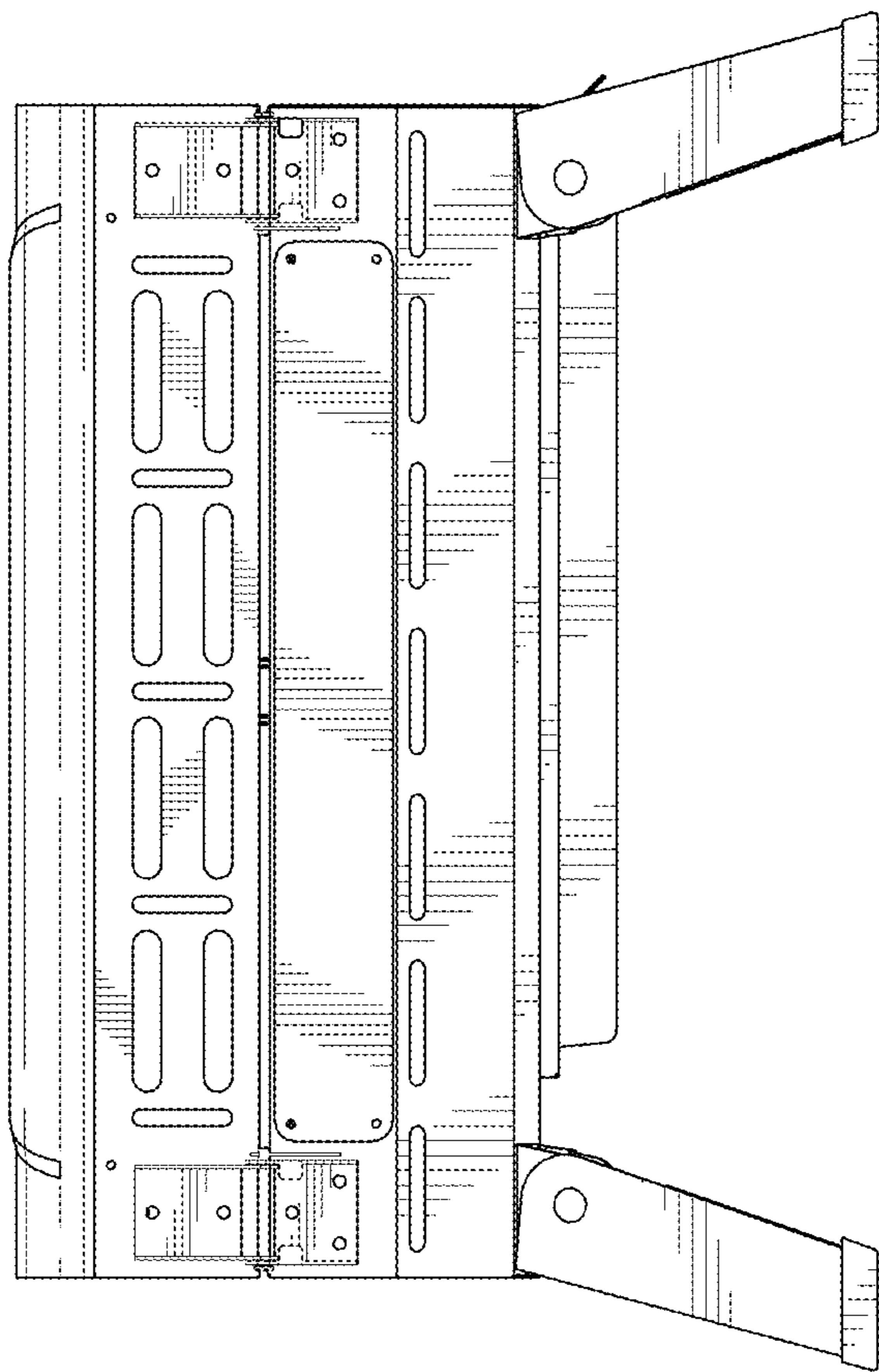


FIG.3

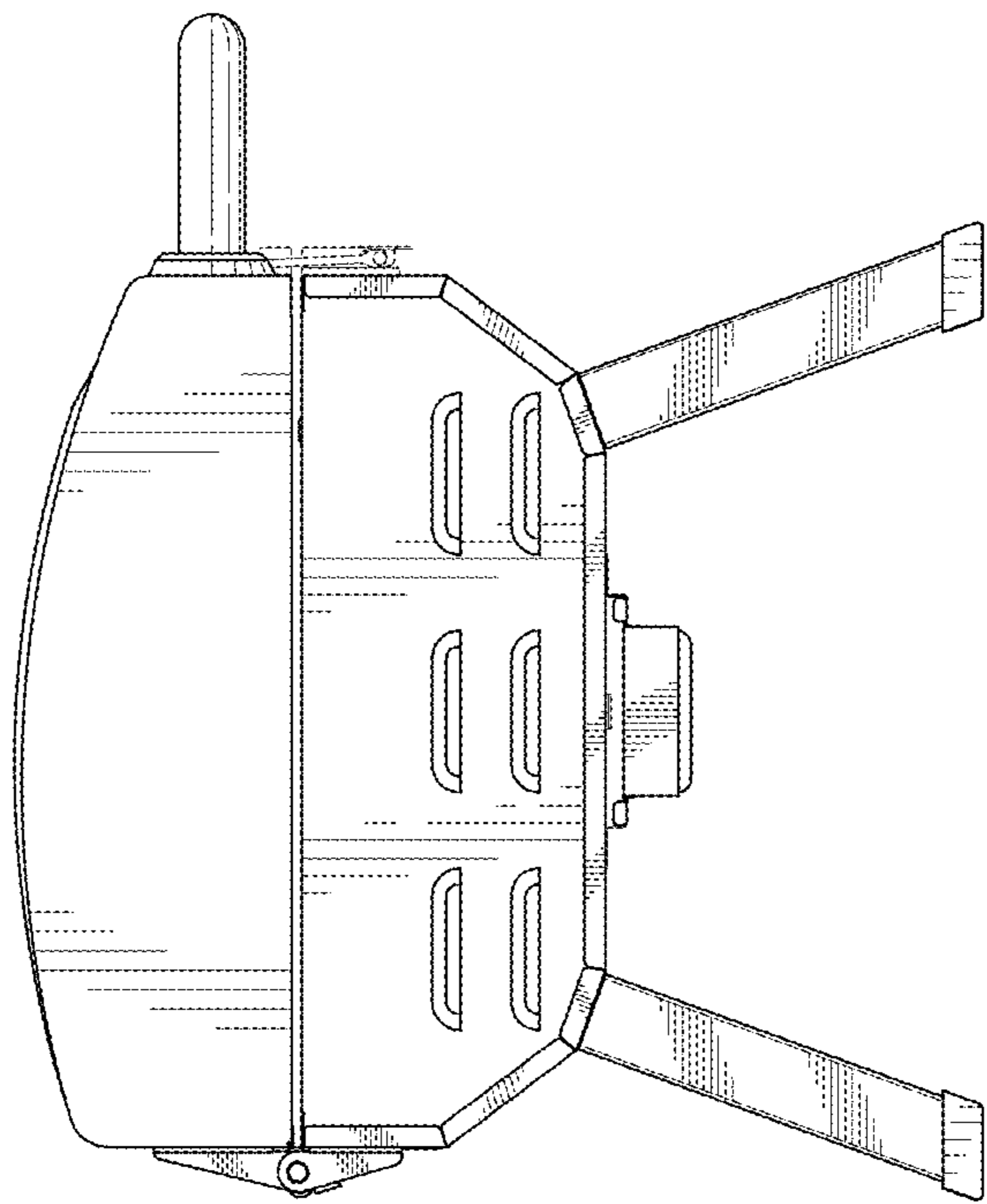


FIG.4

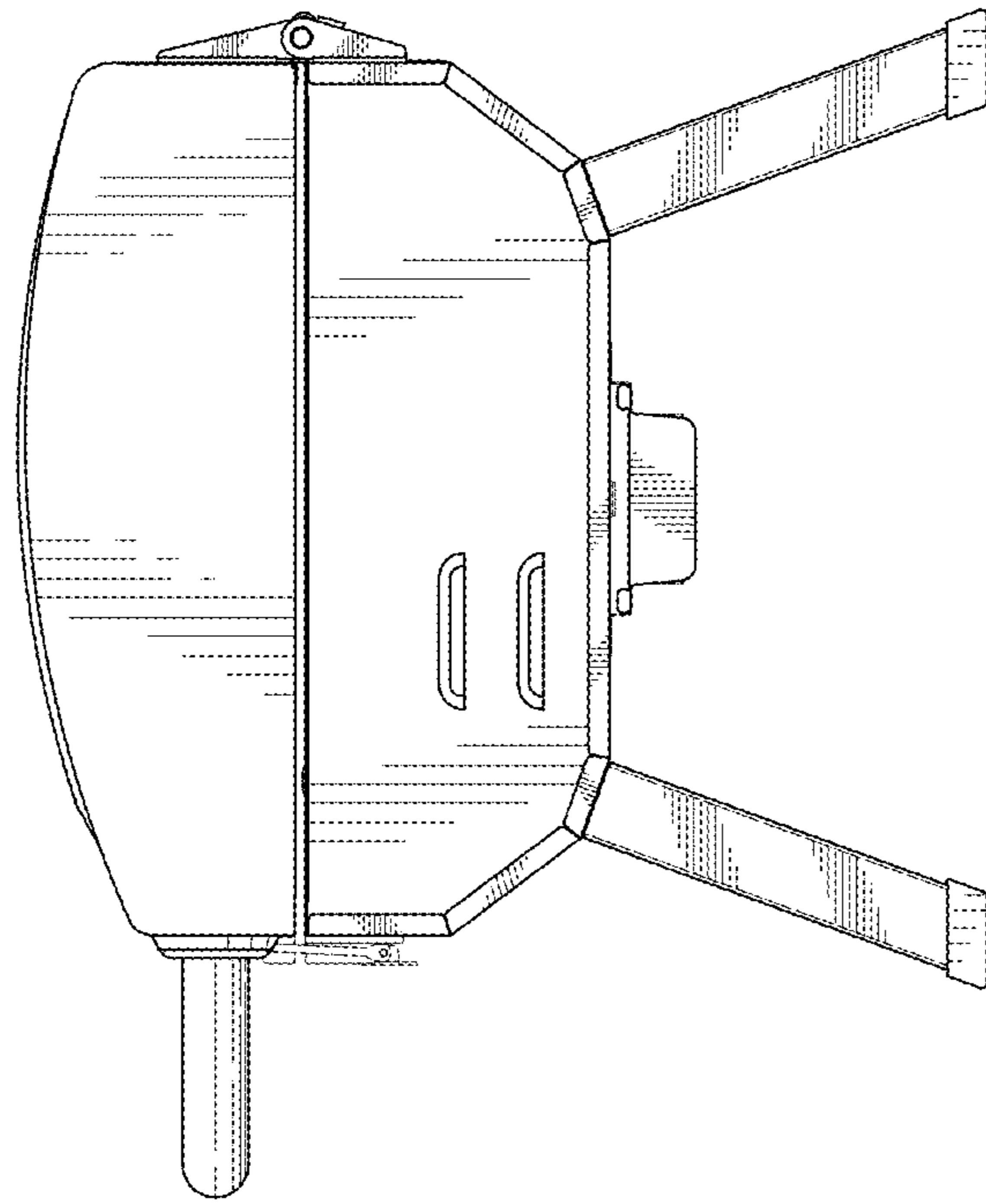


FIG.5

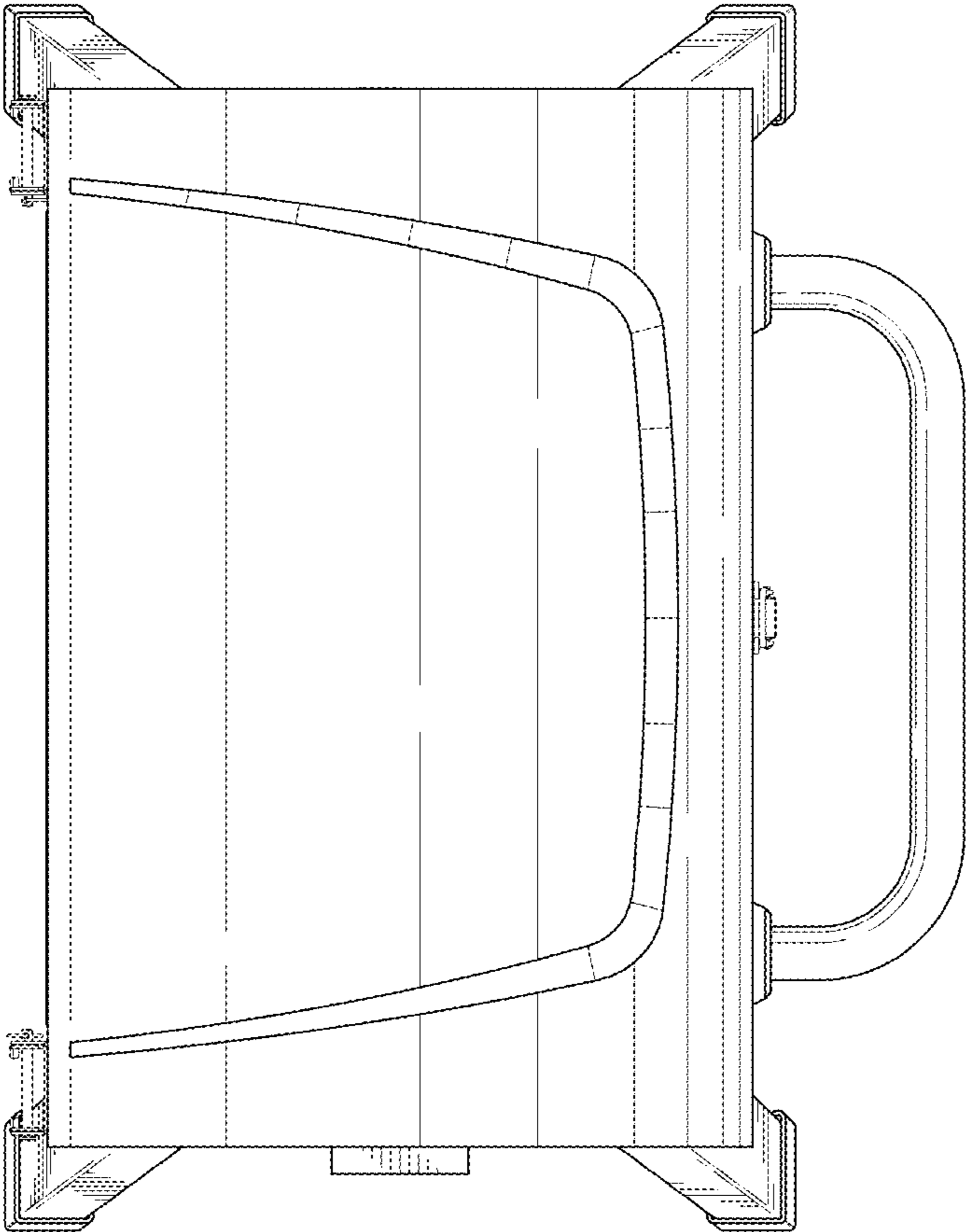


FIG.6

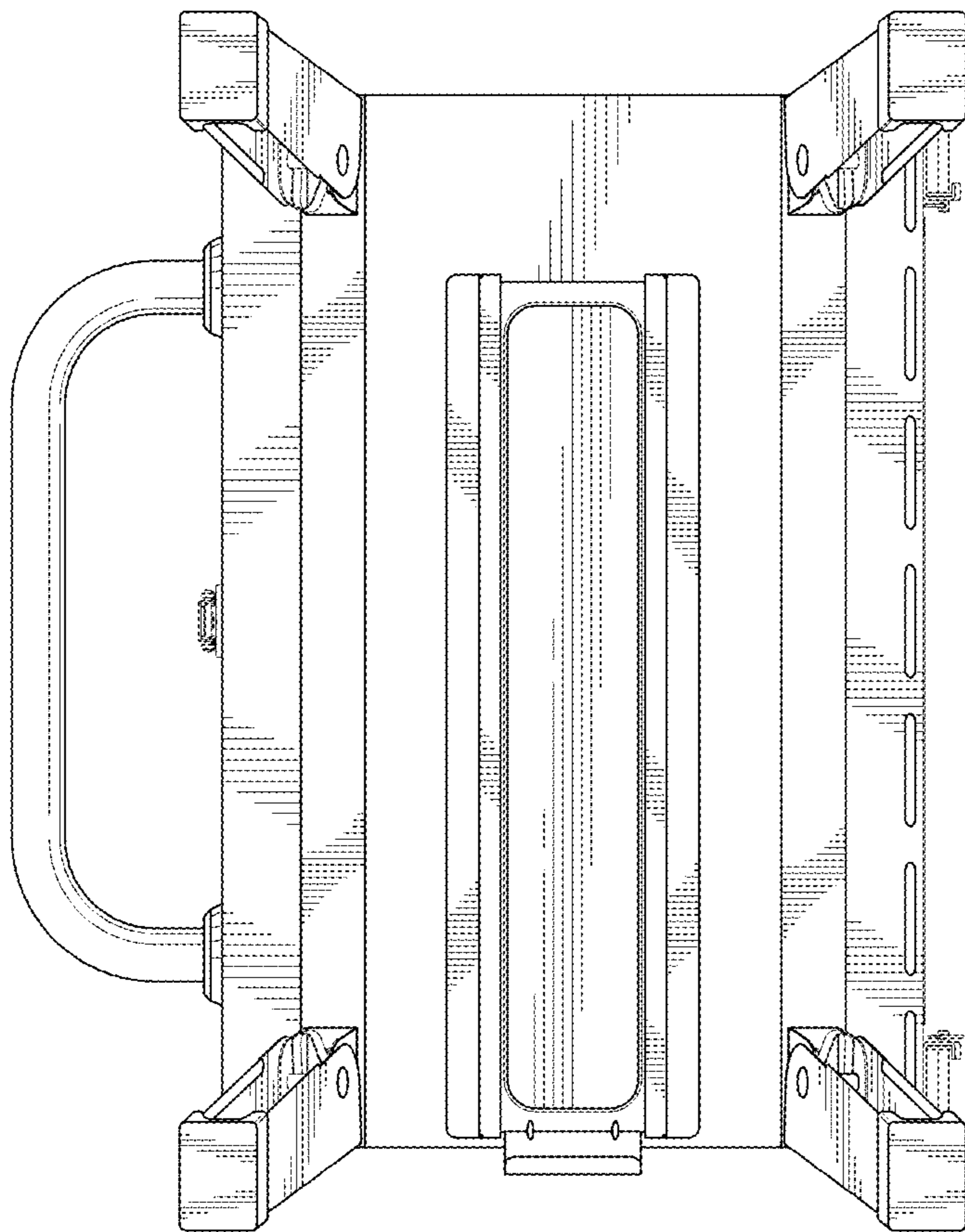


FIG.7