



US00D796249S

(12) **United States Design Patent** (10) **Patent No.:** **US D796,249 S**
Morelock et al. (45) **Date of Patent:** **** Sep. 5, 2017**

(54) **BARBECUE GRILL**

(71) Applicant: **Portable Kitchens, Inc.**, Little Rock, AR (US)

(72) Inventors: **David Morelock**, Escondido, CA (US);
Brian Taylor, Little Rock, AR (US);
Jeff Humiston, Little Rock, AR (US);
Scott Moody, Little Rock, AR (US);
Paul James, Little Rock, AR (US);
Martha James, Little Rock, AR (US)

(73) Assignee: **Portable Kitchens, Inc.**, Little Rock, AK (US)

(**) Term: **15 Years**

(21) Appl. No.: **29/557,346**

(22) Filed: **Mar. 8, 2016**

(51) **LOC (10) Cl.** **07-02**

(52) **U.S. Cl.**
USPC **D7/334**

(58) **Field of Classification Search**
USPC D7/213, 323, 324, 325, 326, 327, 328,
D7/329, 330, 331, 332, 333, 334, 335,
D7/336, 337, 402, 404, 405, 406, 407
CPC A47J 37/0781; A47J 2037/0777; A47J
37/0745-37/0772; A47J 37/0731-37/074;
A47J 37/0718-37/0727; A47J
37/07-37/0713; A47J 37/04; A47J
37/041; A47J 33/00
See application file for complete search history.

(56) **References Cited**

U.S. PATENT DOCUMENTS

D465,693 S	*	11/2002	Coleman	D7/334
D525,072 S	*	7/2006	Wilgus	D7/334
D579,709 S	*	11/2008	Proffitt	D7/334
D660,074 S	*	5/2012	Chung	D7/334

(Continued)

Primary Examiner — Manpreet Matharu
Assistant Examiner — Suzanne Tisdell

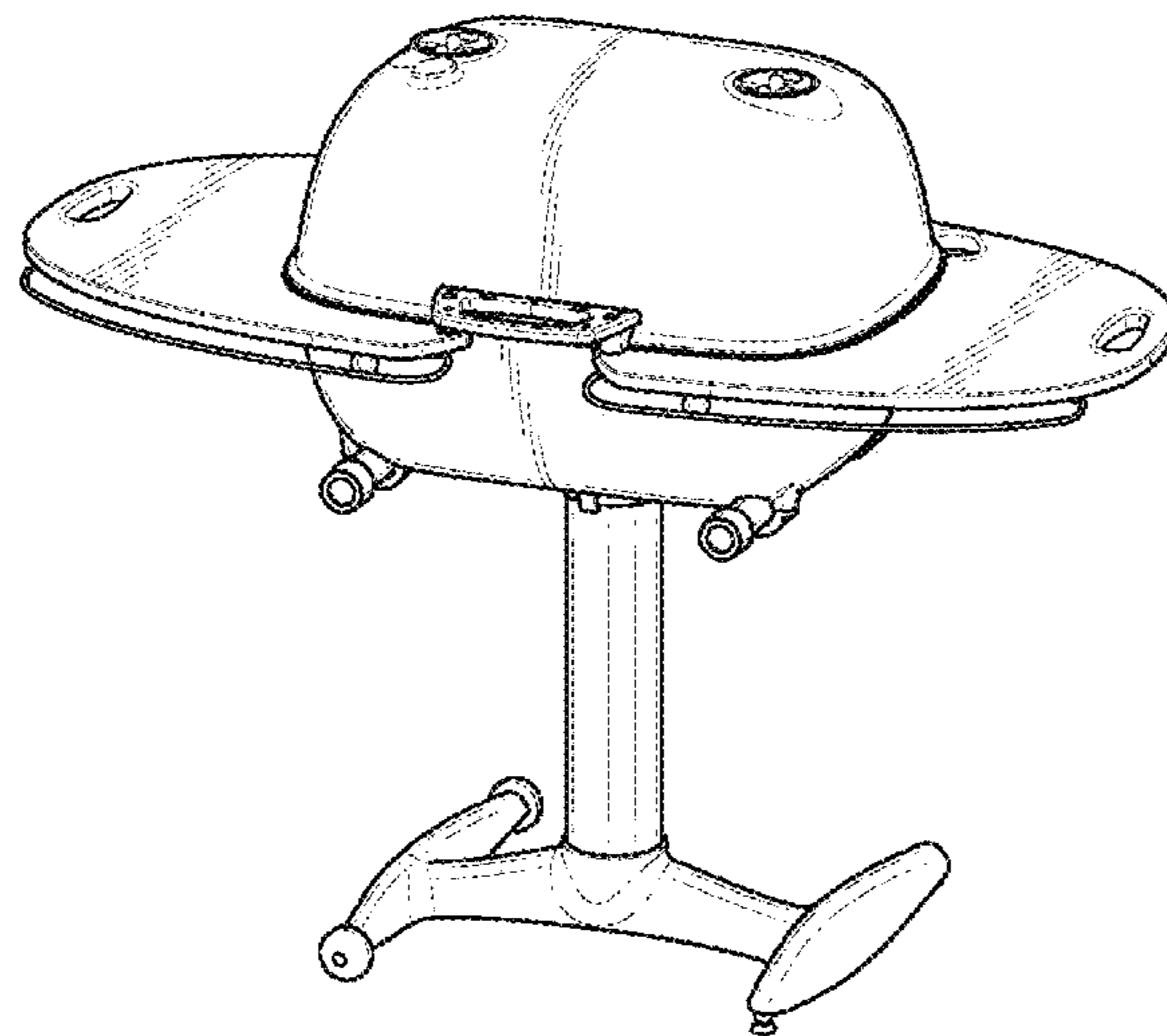
(57) **CLAIM**

The ornamental design of a barbecue grill, as shown.

DESCRIPTION

FIG. 1 is a perspective view of the barbecue grill with removable side shelves attached.
FIG. 2 is a front view of the barbecue grill with removable side shelves attached.
FIG. 3 is a right side view of the barbecue grill with removable side shelves attached.
FIG. 4 is a rear view of the barbecue grill with removable side shelves attached.
FIG. 5 is a left side view of the barbecue grill with removable side shelves attached.
FIG. 6 is a top view of the barbecue grill with removable side shelves attached.
FIG. 7 is a bottom view of the barbecue grill with removable side shelves attached.
FIG. 8 is a perspective view of the barbecue grill without removable side shelves attached.
FIG. 9 is a front view of the barbecue grill without removable side shelves attached.
FIG. 10 is a right side view of the barbecue grill without removable side shelves attached.
FIG. 11 is a rear view of the barbecue grill without removable side shelves attached.
FIG. 12 is a left side view of the barbecue grill without removable side shelves attached.
FIG. 13 is a top view of the barbecue grill without removable side shelves attached; and,
FIG. 14 is a bottom view of the barbecue grill without removable side shelves attached.
The invention pertains to an ornamental design for an article of manufacture, which can be scaled to different sizes. The invention is shown with and without removable side shelves.

1 Claim, 12 Drawing Sheets



(56)

References Cited

U.S. PATENT DOCUMENTS

D661,538	S	*	6/2012	Chung	D7/334
D681,389	S	*	5/2013	Goecke	D7/334
D687,669	S	*	8/2013	Chung	D7/334
D697,357	S	*	1/2014	Goecke	D7/334
D712,191	S	*	9/2014	Chung	D7/334
D717,097	S	*	11/2014	Lin	D7/334
D722,810	S	*	2/2015	Chung	D7/334
D723,860	S	*	3/2015	Chung	D7/334
D726,491	S	*	4/2015	Witzel	D7/334
D731,843	S	*	6/2015	Chung	D7/334
D736,026	S	*	8/2015	Kam	D7/334
D737,092	S	*	8/2015	Lin	D7/334
D744,775	S	*	12/2015	Yang	D7/334
D747,909	S	*	1/2016	Simms, II	D7/332
D748,423	S	*	2/2016	Chiang	D7/334
D753,430	S	*	4/2016	Wagner	D7/334
D769,667	S	*	10/2016	Ting	D7/332
D773,229	S	*	12/2016	Jaggard	D7/334
D773,879	S	*	12/2016	Magee	D7/334
D776,476	S	*	1/2017	Euwer	D7/334
2008/0121118	A1	*	5/2008	Sikes	A47J 37/07 99/447
2008/0229937	A1	*	9/2008	Stephen	A47J 37/07 99/421 R
2010/0132689	A1	*	6/2010	Contarino, Jr.	A47J 37/067 126/25 B
2013/0112088	A1	*	5/2013	May	A47J 37/07 99/421 H
2014/0261378	A1	*	9/2014	Barreto	A47J 37/0713 126/25 R
2014/0318524	A1	*	10/2014	Measom	A47J 37/0704 126/25 R
2015/0004297	A1	*	1/2015	Potheses	A47J 37/00 426/523
2016/0208837	A1	*	7/2016	Chang	F16B 5/02

* cited by examiner

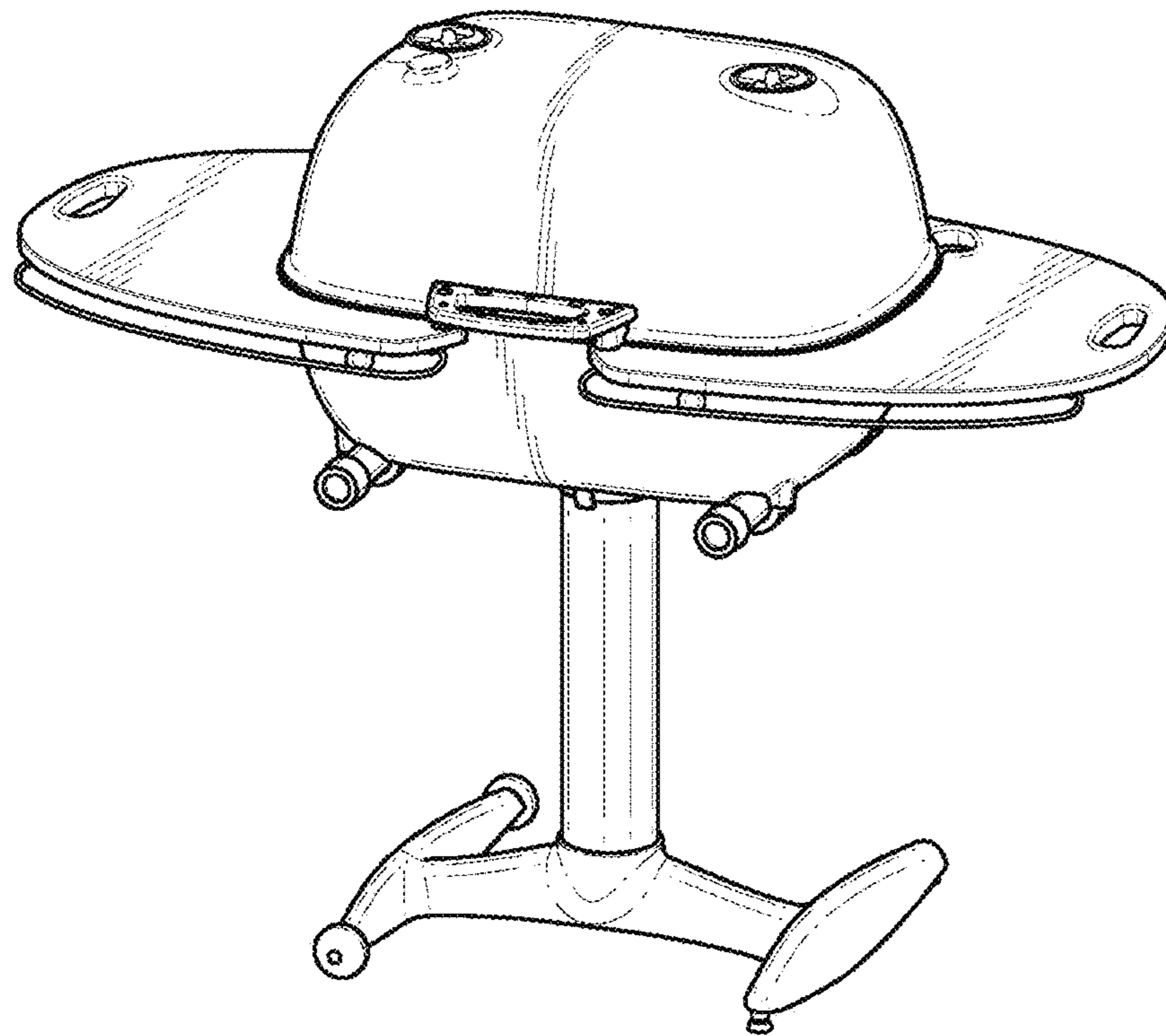


FIG. 1

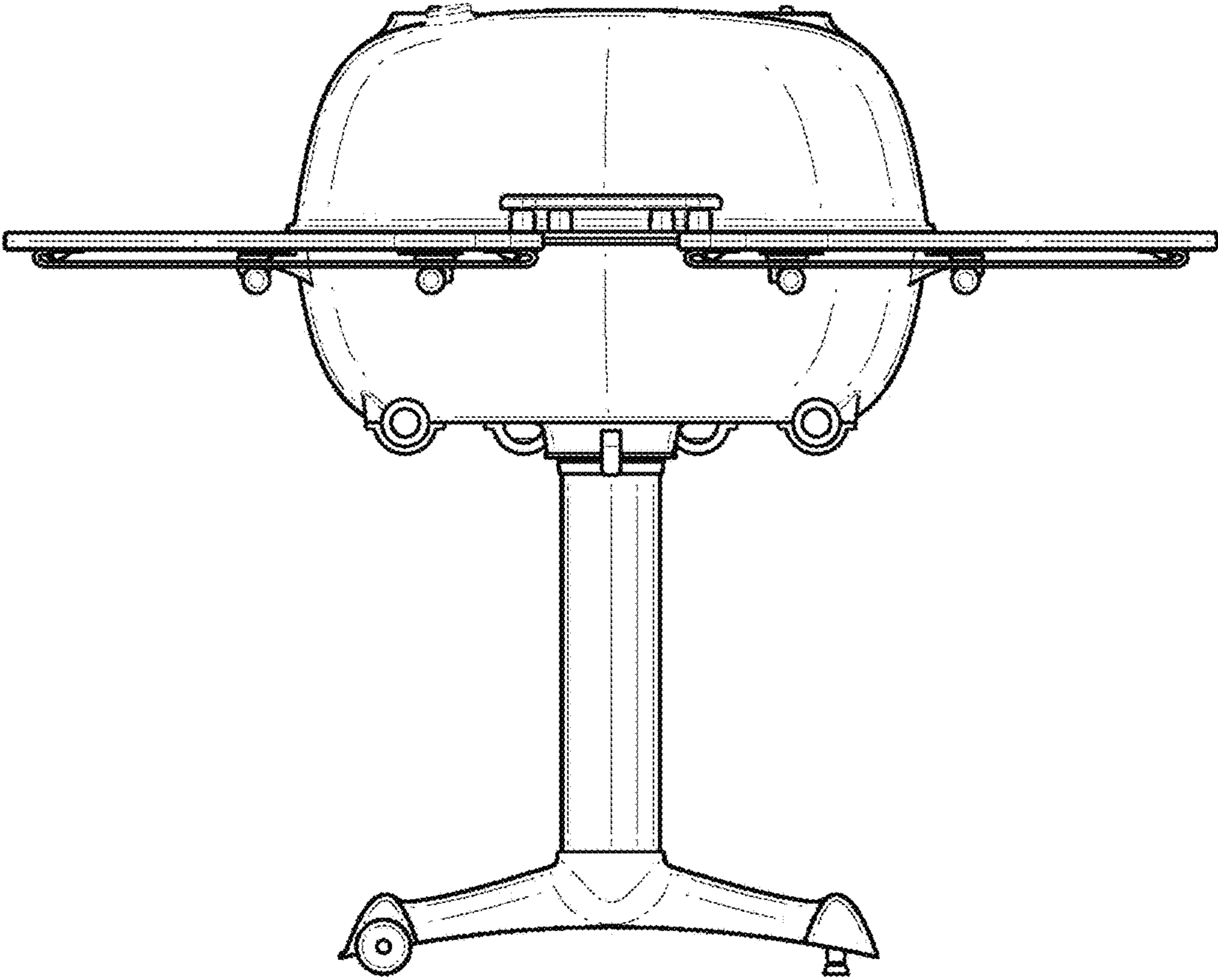


FIG. 2

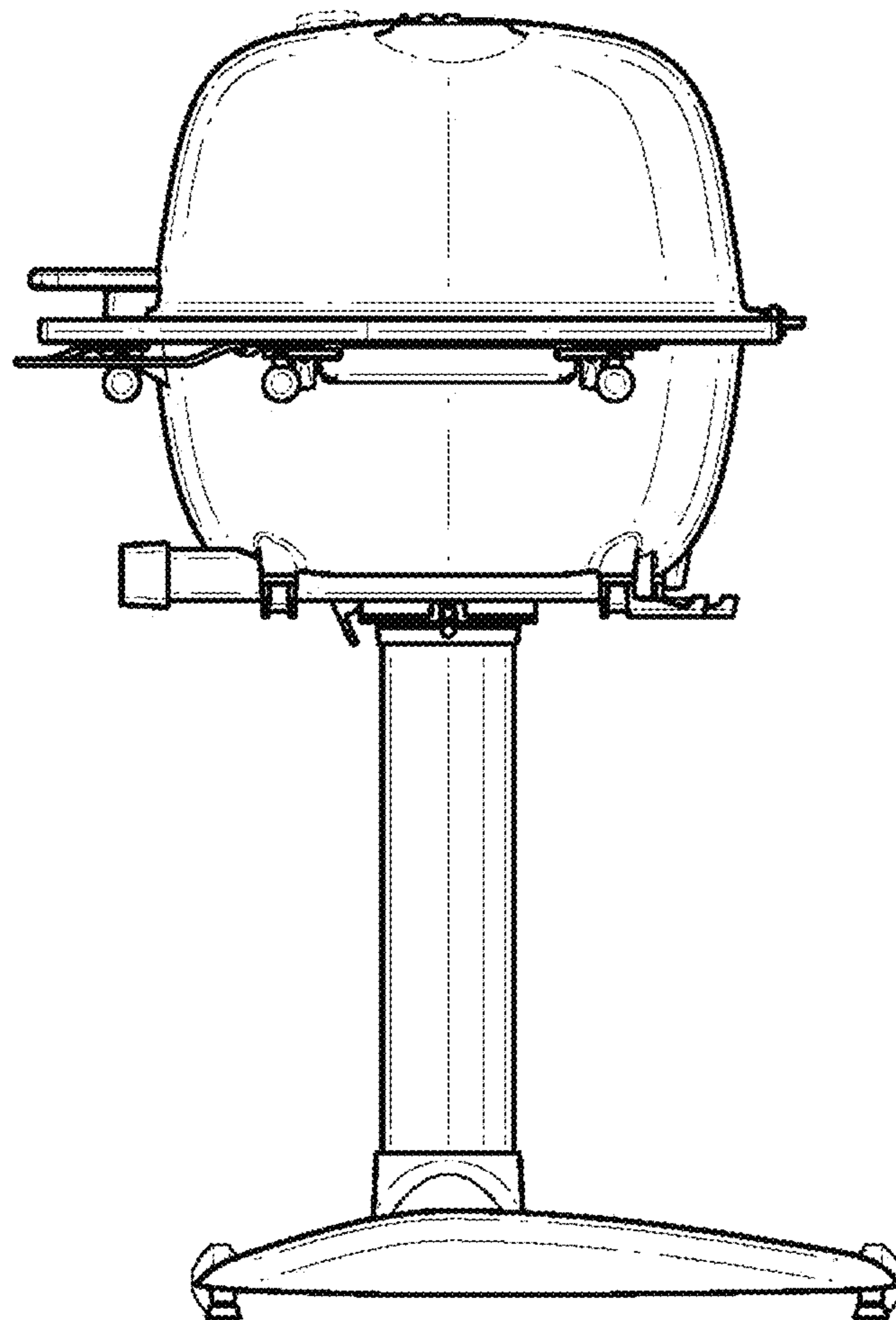


FIG. 3

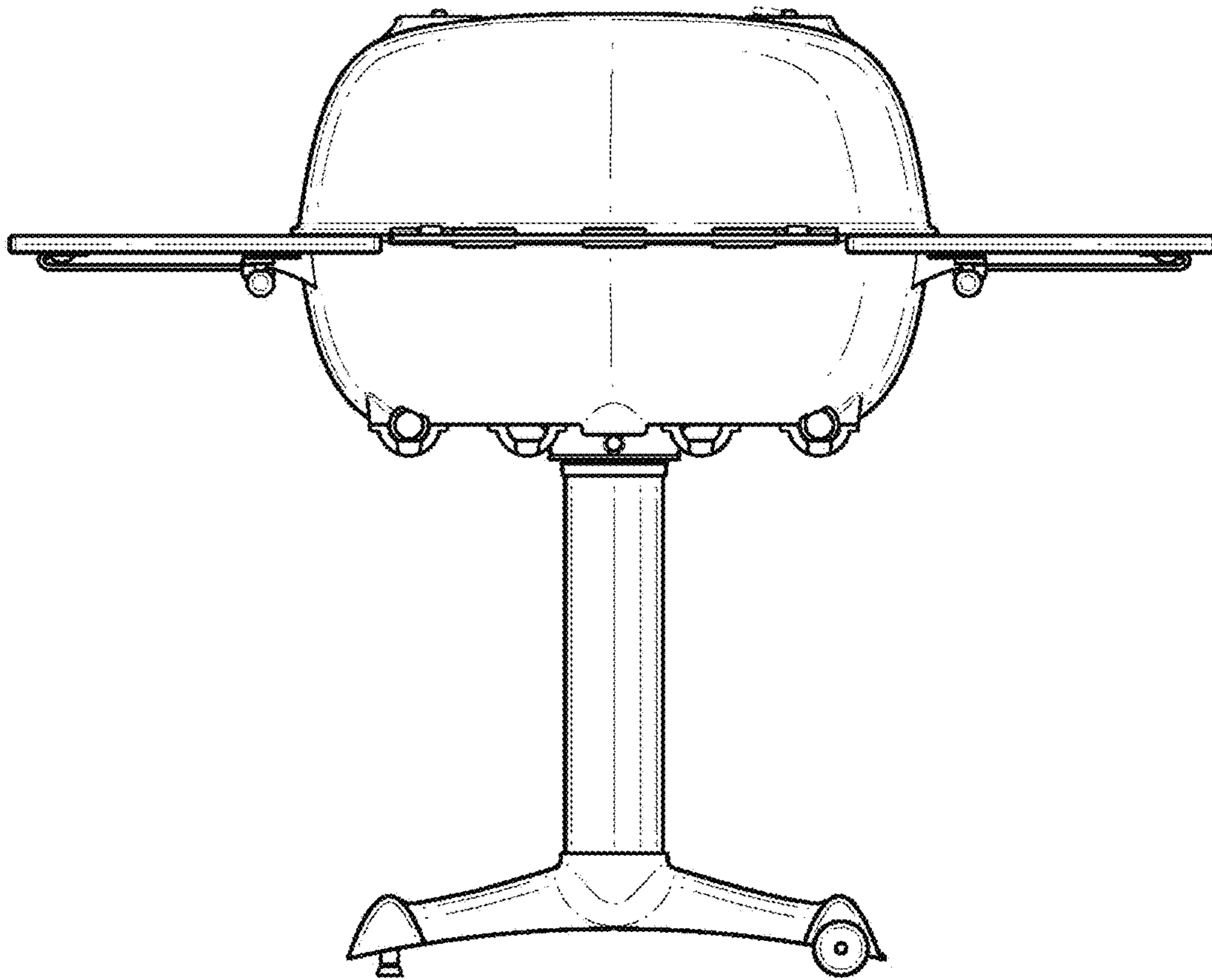


FIG. 4

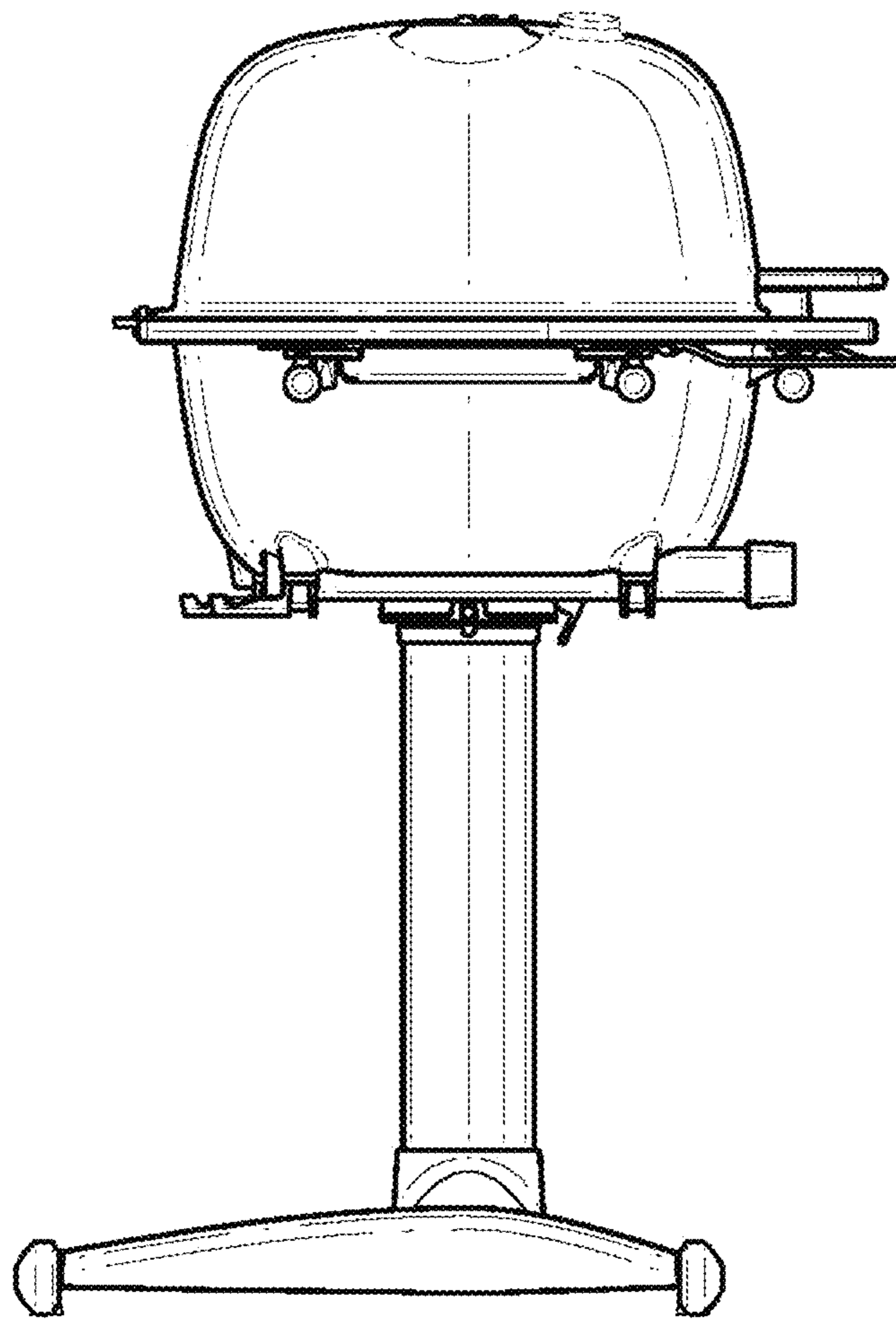


FIG. 5

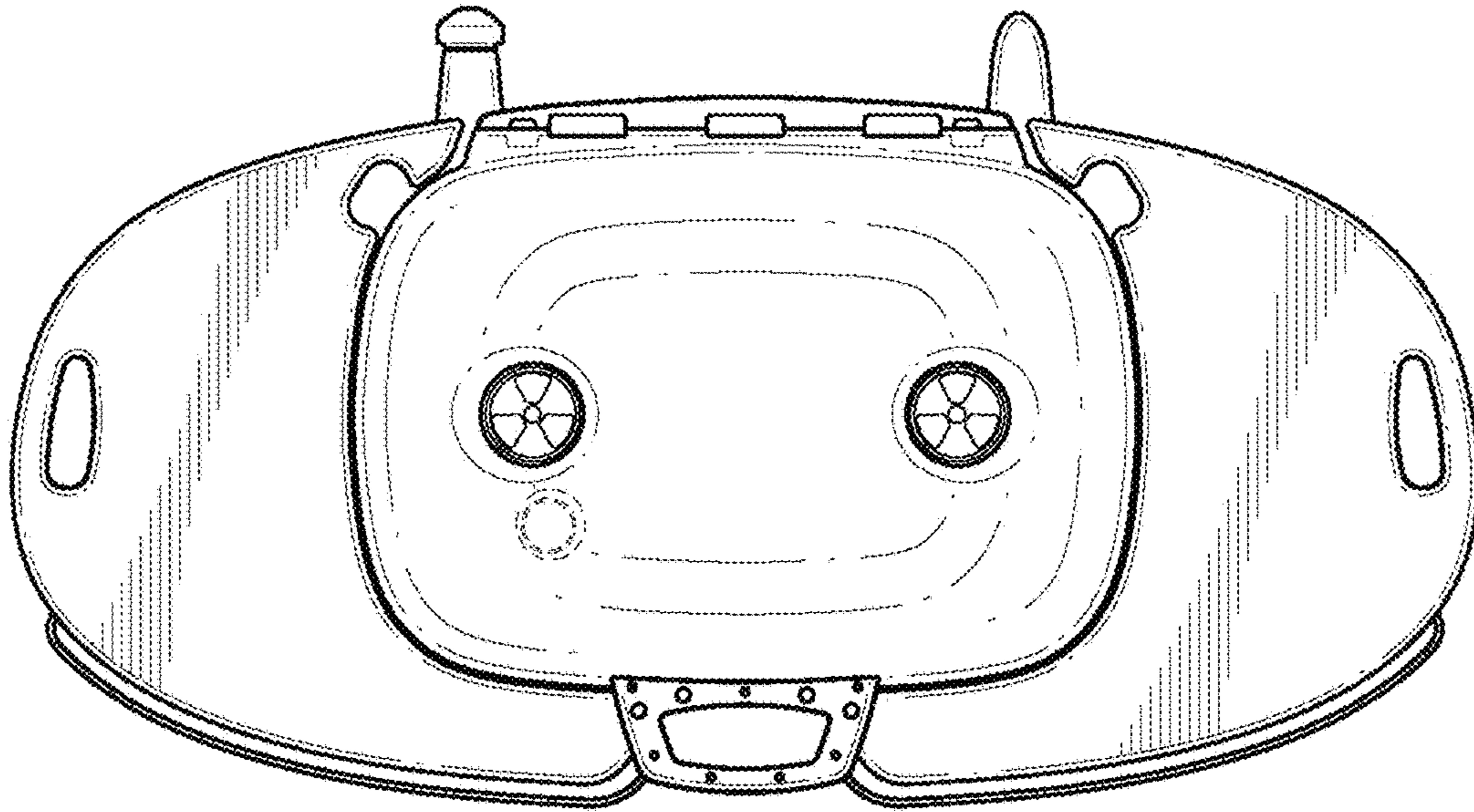


FIG. 6

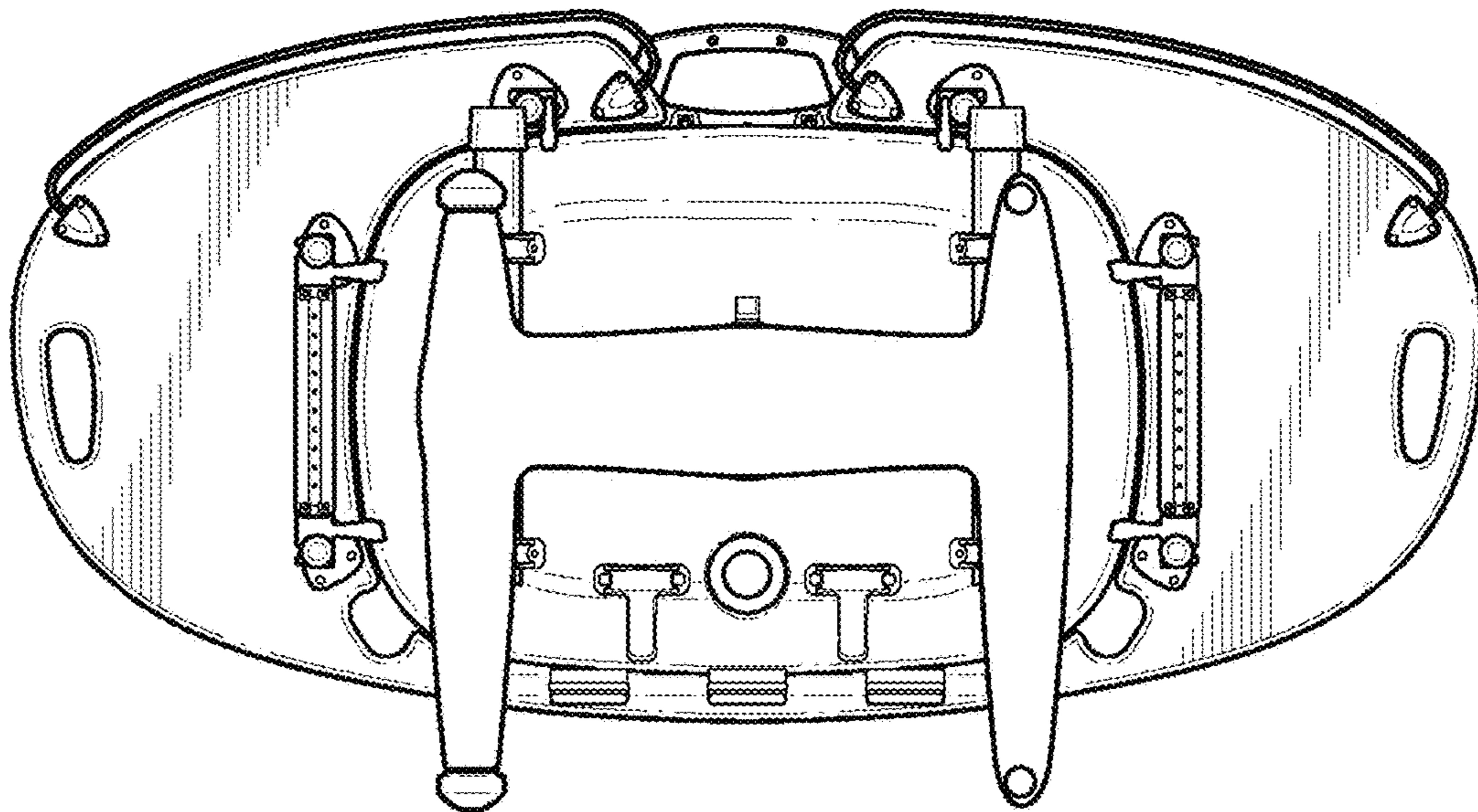


FIG. 7

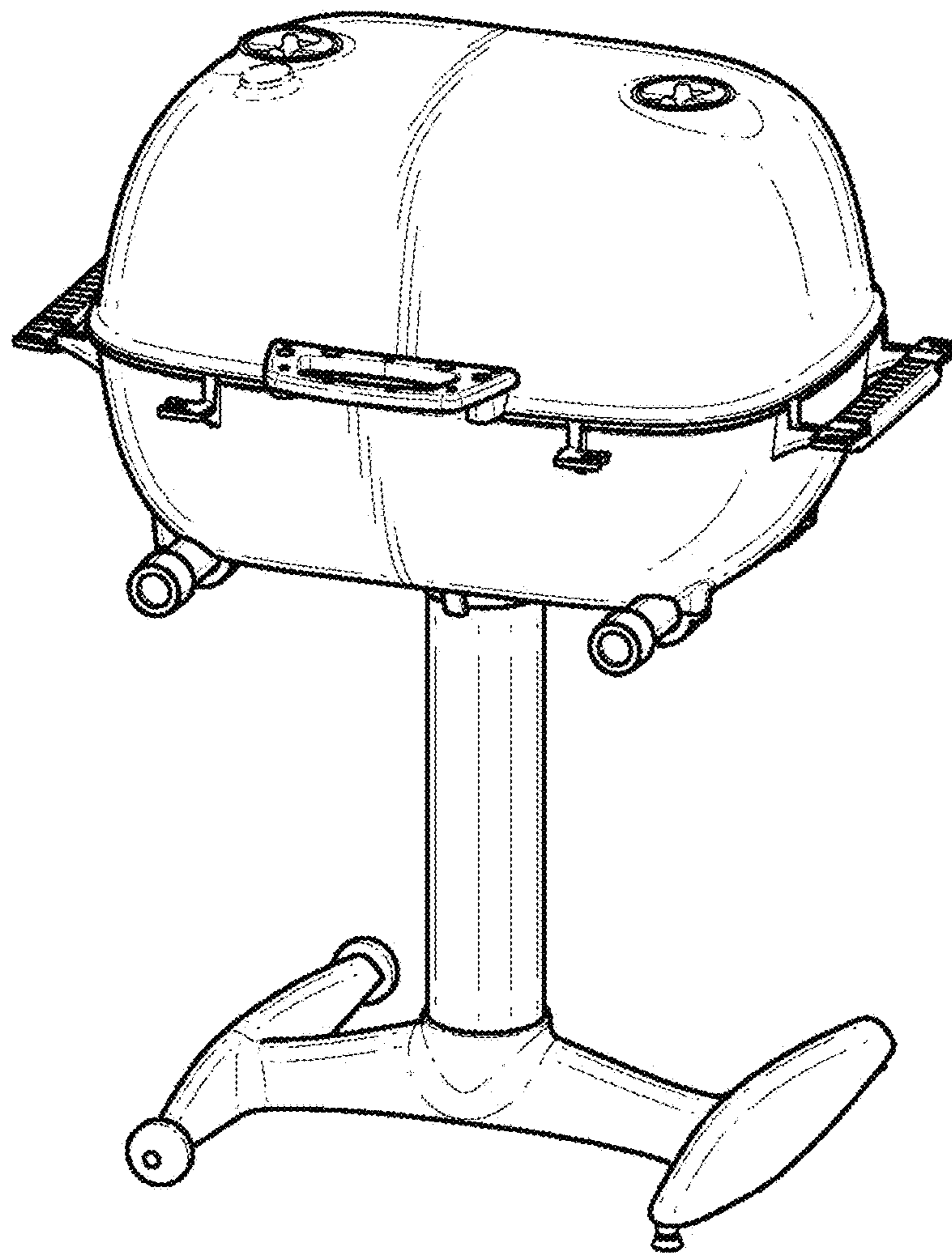


FIG. 8

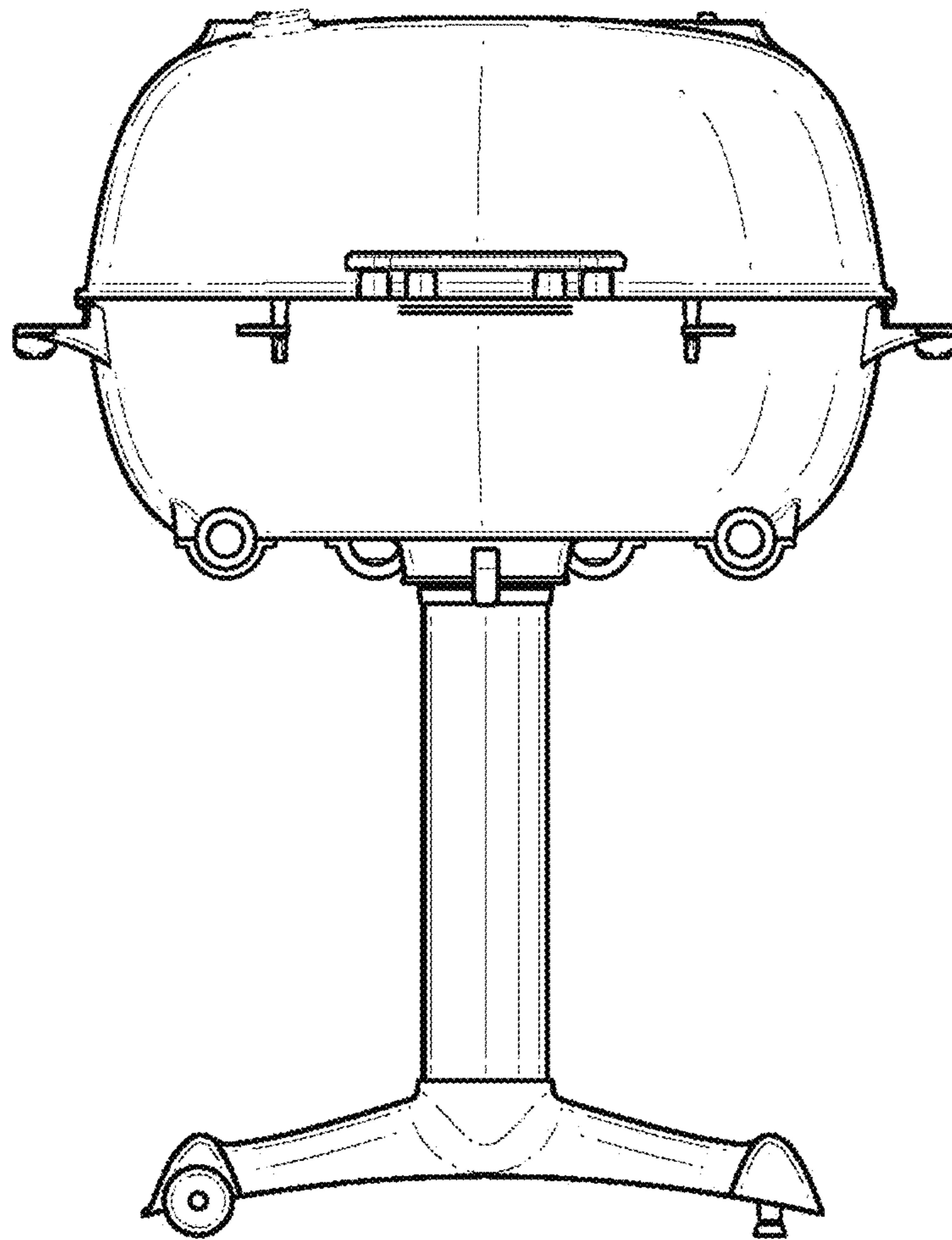


FIG. 9

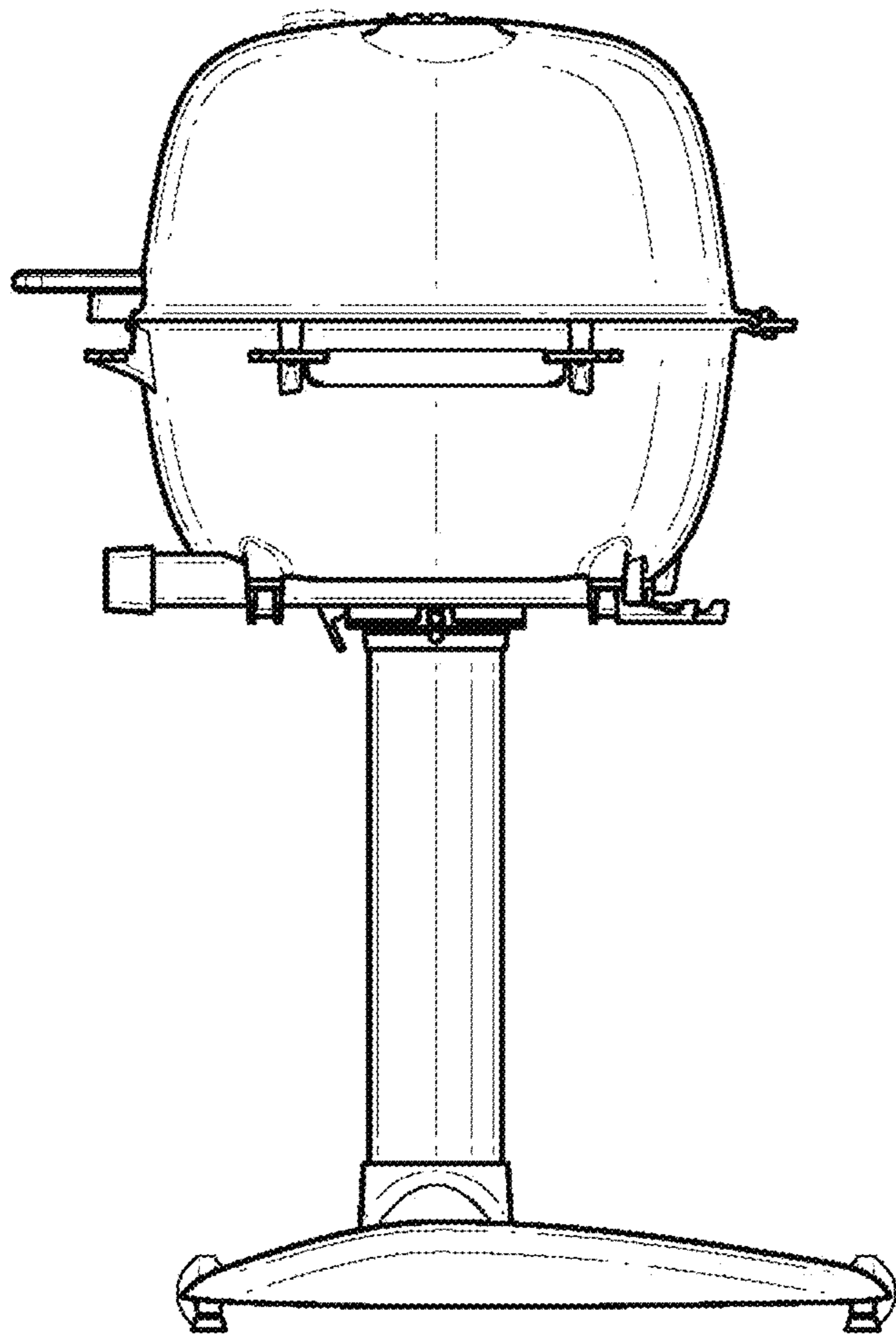


FIG. 10

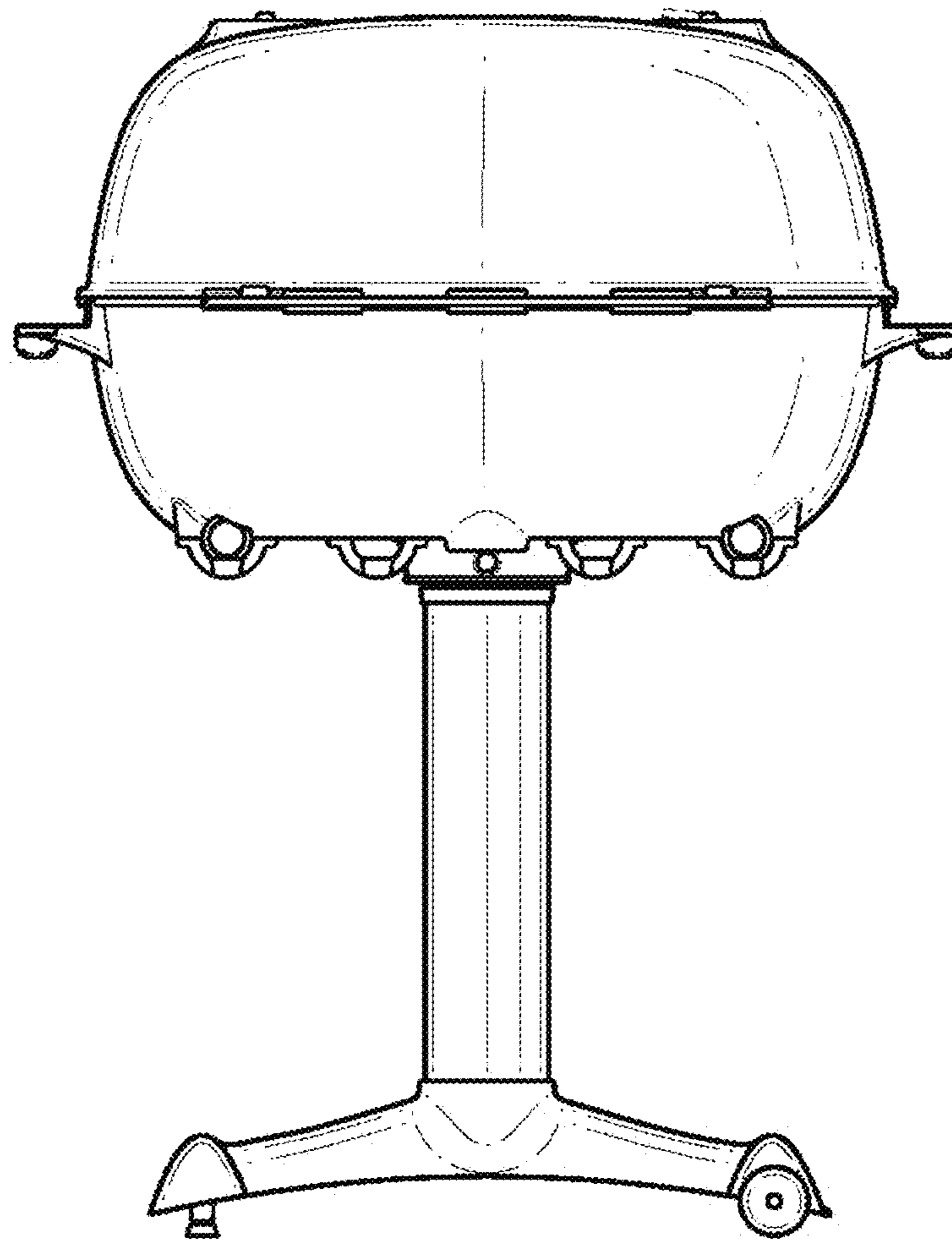


FIG. 11

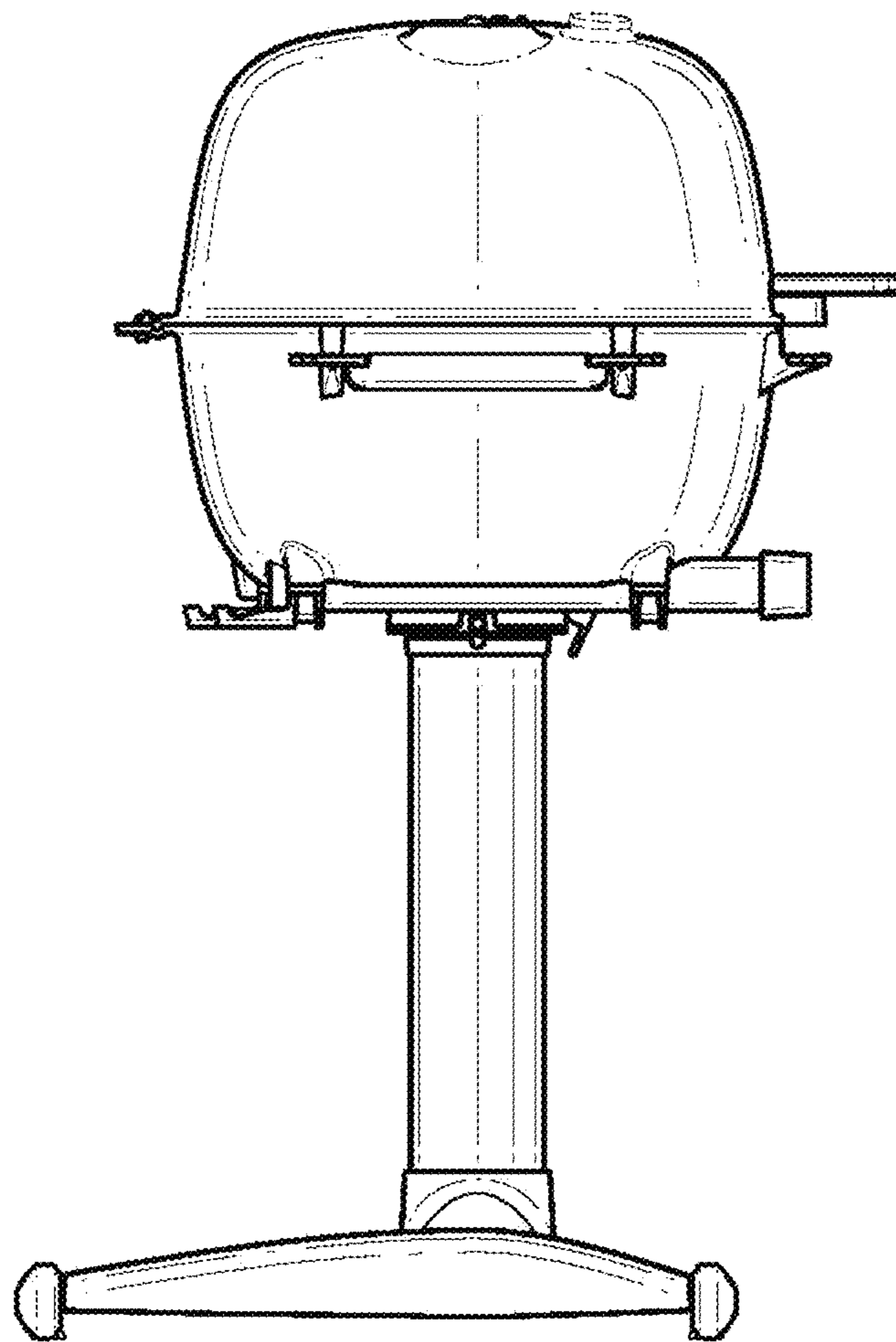


Fig. 12

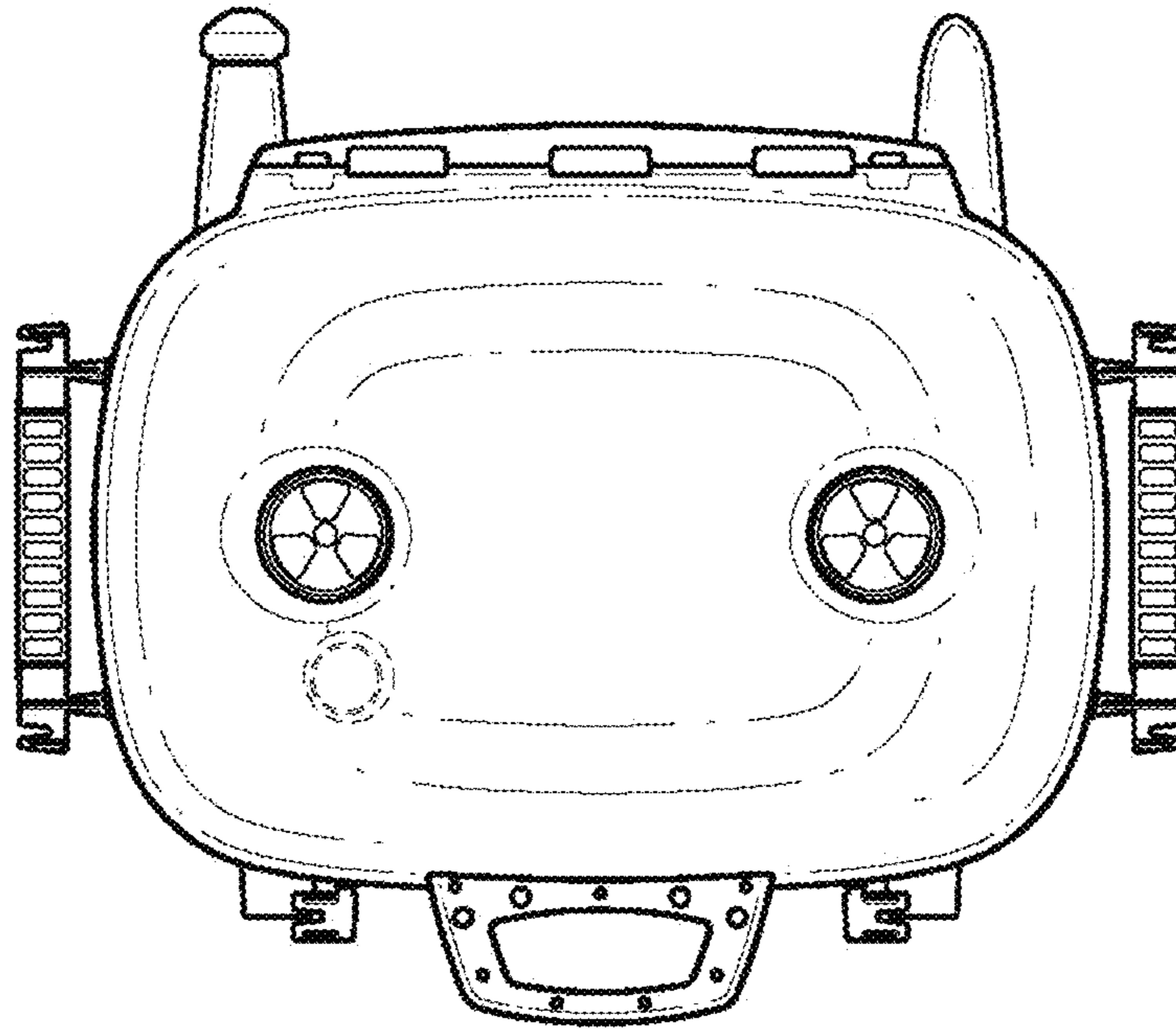


FIG. 13

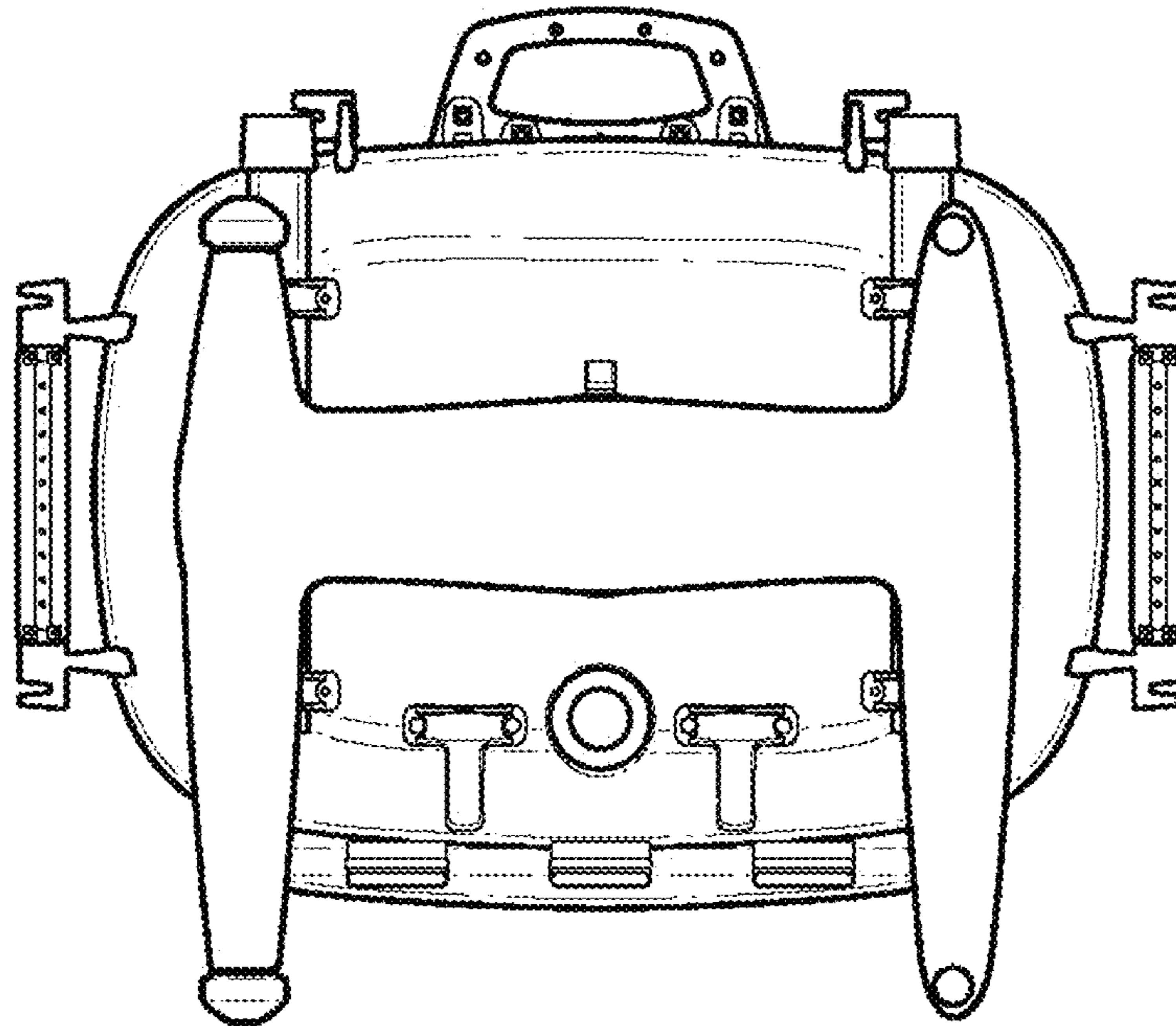


FIG. 14