



US00D796245S

(12) **United States Design Patent** (10) **Patent No.:** **US D796,245 S**  
**Plihal** (45) **Date of Patent:** **\*\* Sep. 5, 2017**

(54) **WATER CONTAINER WITH FILTER**  
(71) Applicant: **BRITA GMBH**, Taunusstein (DE)  
(72) Inventor: **Ulf Plihal**, Köln (DE)  
(73) Assignee: **BRITA GMBH**, Taunusstein (DE)

D520,597 S \* 5/2006 Witte ..... D23/209  
D546,113 S \* 7/2007 Ruoff ..... D23/209  
D636,631 S \* 4/2011 Muddana ..... D7/319  
D682,003 S \* 5/2013 Kuzmin ..... D7/319  
8,480,882 B2 \* 7/2013 Cueman ..... C02F 1/003  
116/298  
D688,909 S \* 9/2013 Chapman ..... D7/317  
8,541,039 B2 \* 9/2013 Lackey ..... C02F 1/003  
426/394  
D708,888 S \* 7/2014 Duran ..... D7/317  
D716,604 S \* 11/2014 Keys ..... D7/392  
9,049,951 B2 \* 6/2015 Keys ..... A47G 19/12  
9,282,836 B2 \* 3/2016 Nishijima ..... A47G 19/12  
D772,635 S \* 11/2016 Zhu ..... D7/317  
2016/0200590 A1 \* 7/2016 Lee ..... B01D 29/56  
210/335

(\*\*) Term: **15 Years**  
(21) Appl. No.: **29/551,684**  
(22) Filed: **Jan. 15, 2016**

(30) **Foreign Application Priority Data**  
Jul. 17, 2015 (DE) ..... 40 2015 100 660  
(51) **LOC (10) Cl.** ..... **07-01**  
(52) **U.S. Cl.**  
USPC ..... **D7/318**; D7/317; D23/209  
(58) **Field of Classification Search**  
USPC ..... D7/316, 317, 318, 319, 303, 302, 312,  
D7/322, 321, 600; D10/46.2; D9/524,  
D9/526, 527; 222/573; D23/212, 211.2,  
D23/207, 209  
CPC ..... B65D 23/06; B65D 47/06; B67D 1/16;  
A47G 19/00; A47J 31/20; C02F 1/003;  
C02F 2201/006  
See application file for complete search history.

\* cited by examiner

*Primary Examiner* — Marianne Pandozzi  
(74) *Attorney, Agent, or Firm* — Hudak, Shunk & Farine  
Co. LPA

(57) **CLAIM**

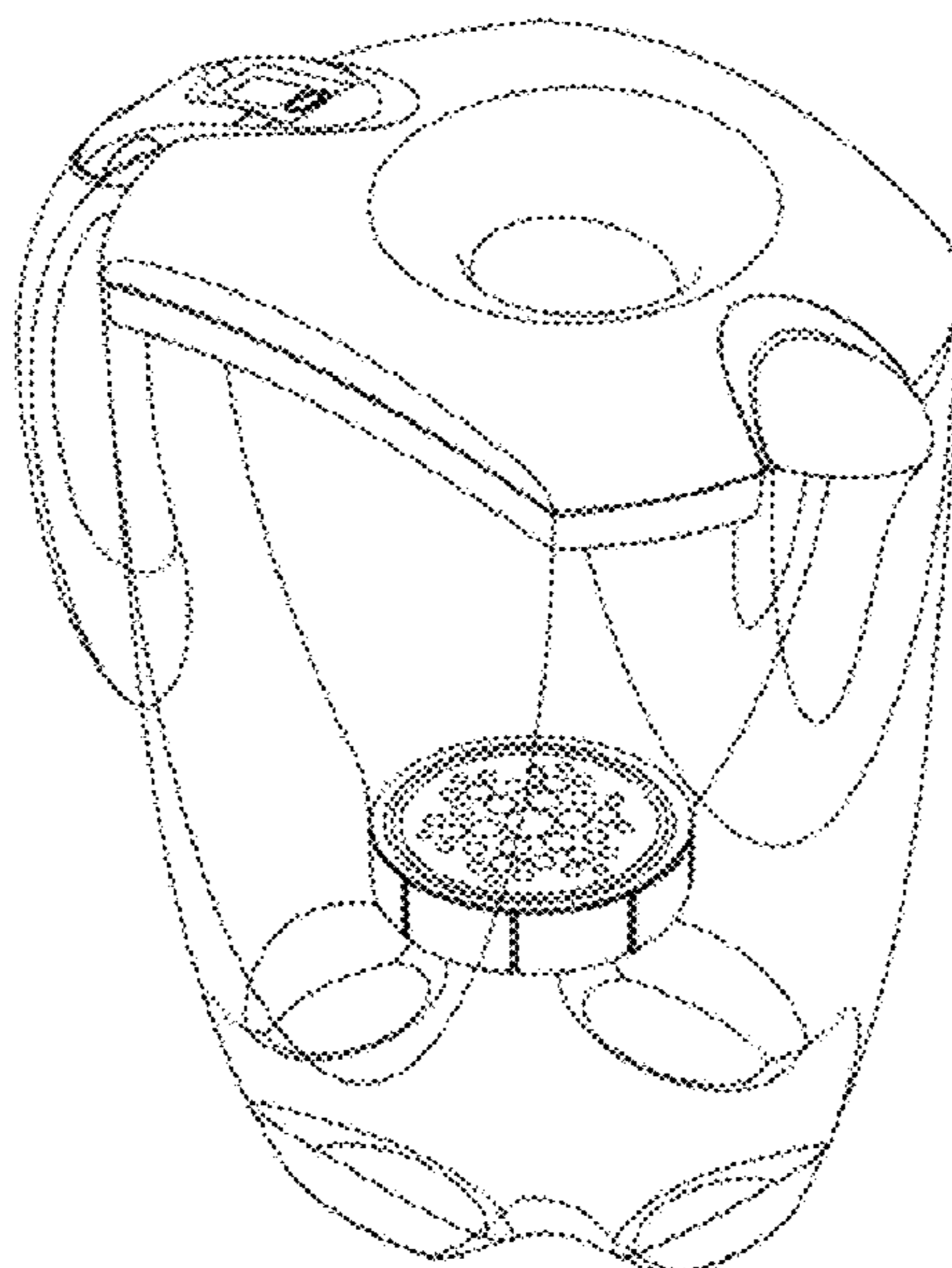
The ornamental design for a “water container with filter,” as shown and described.

**DESCRIPTION**

FIG. 1 is a front left perspective view of a first embodiment of a water container with filter;  
FIG. 2 is a left side view thereof;  
FIG. 3 is a right side view thereof;  
FIG. 4 is a front view thereof;  
FIG. 5 is a rear view thereof;  
FIG. 6 is a bottom view thereof; and,  
FIG. 7 is a top view thereof.

(56) **References Cited**  
U.S. PATENT DOCUMENTS  
D398,184 S \* 9/1998 Silverberg ..... D7/317  
D415,922 S \* 11/1999 Kawasaki ..... D7/317  
D444,662 S \* 7/2001 McGrath ..... D7/317  
D444,987 S \* 7/2001 McGrath ..... D7/317

**1 Claim, 4 Drawing Sheets**



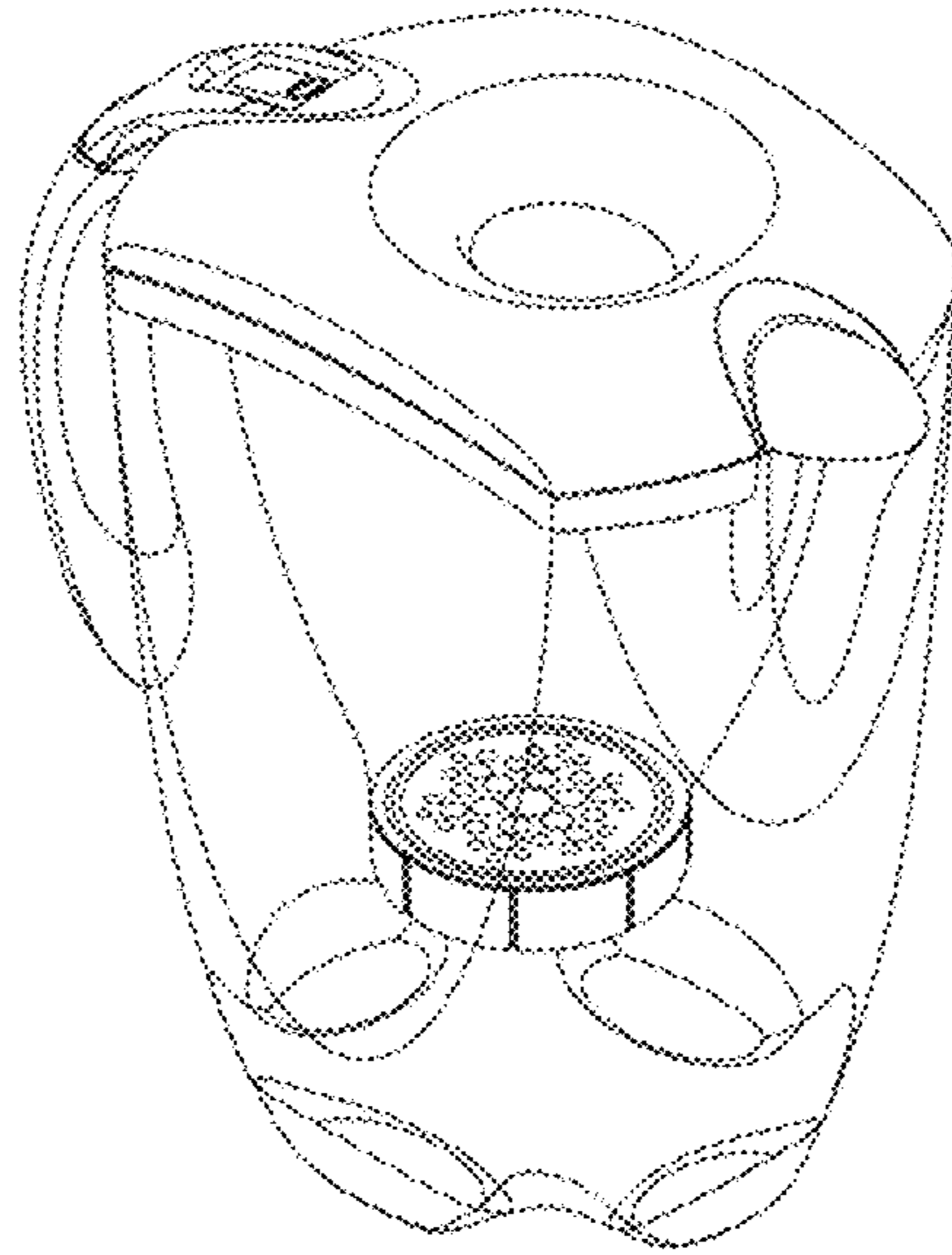


FIG. 1

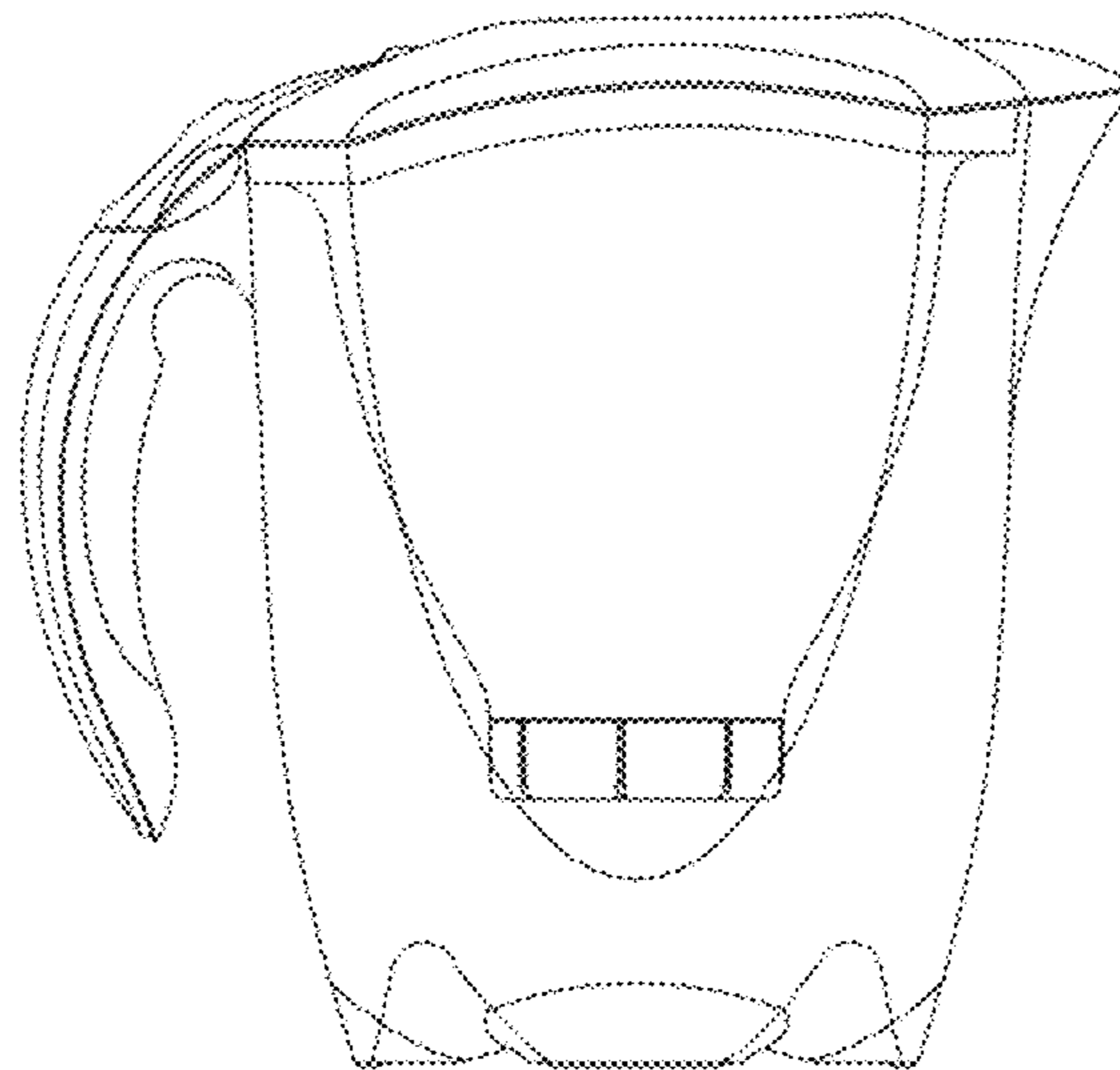


FIG. 2

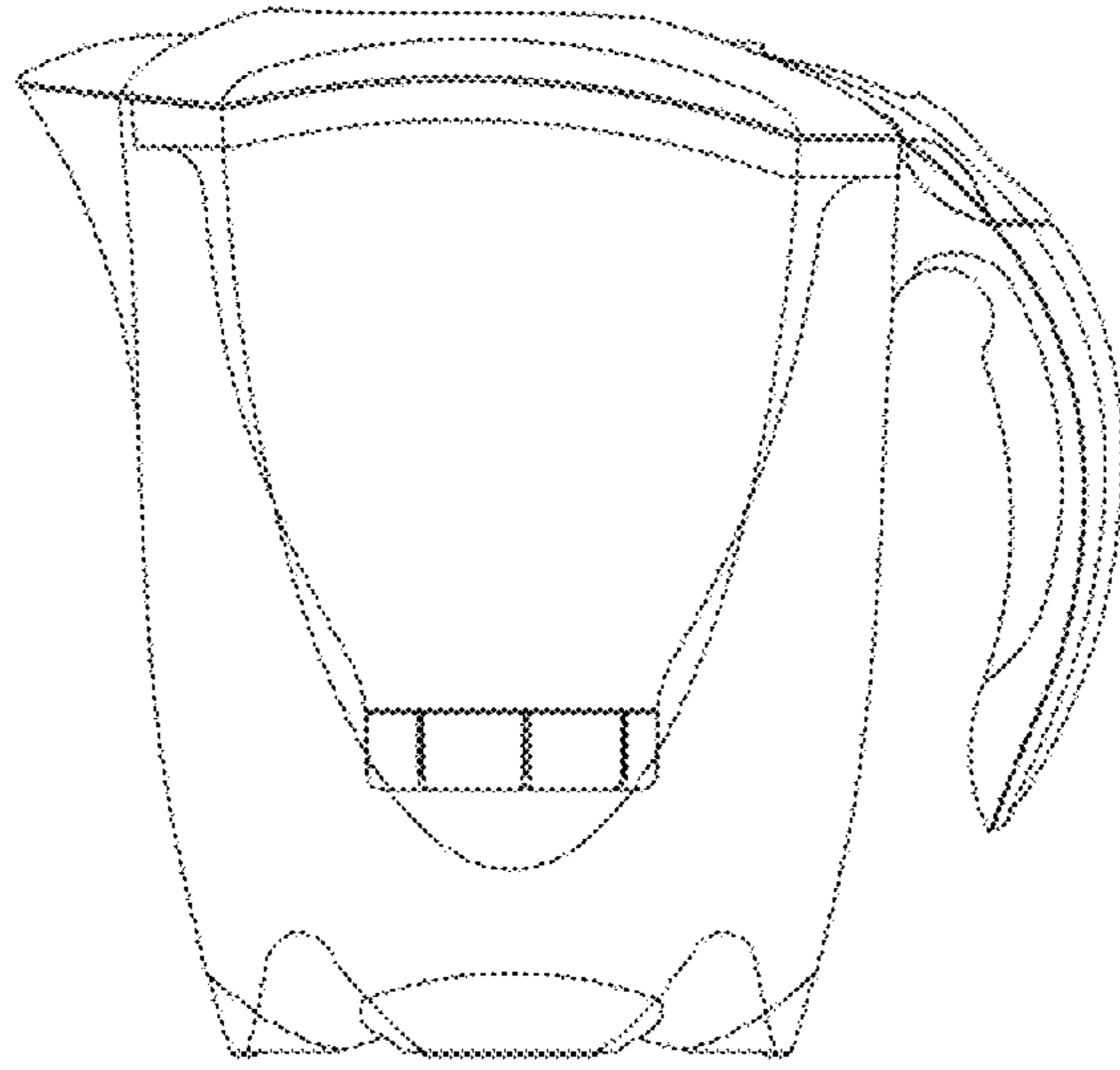


FIG. 3

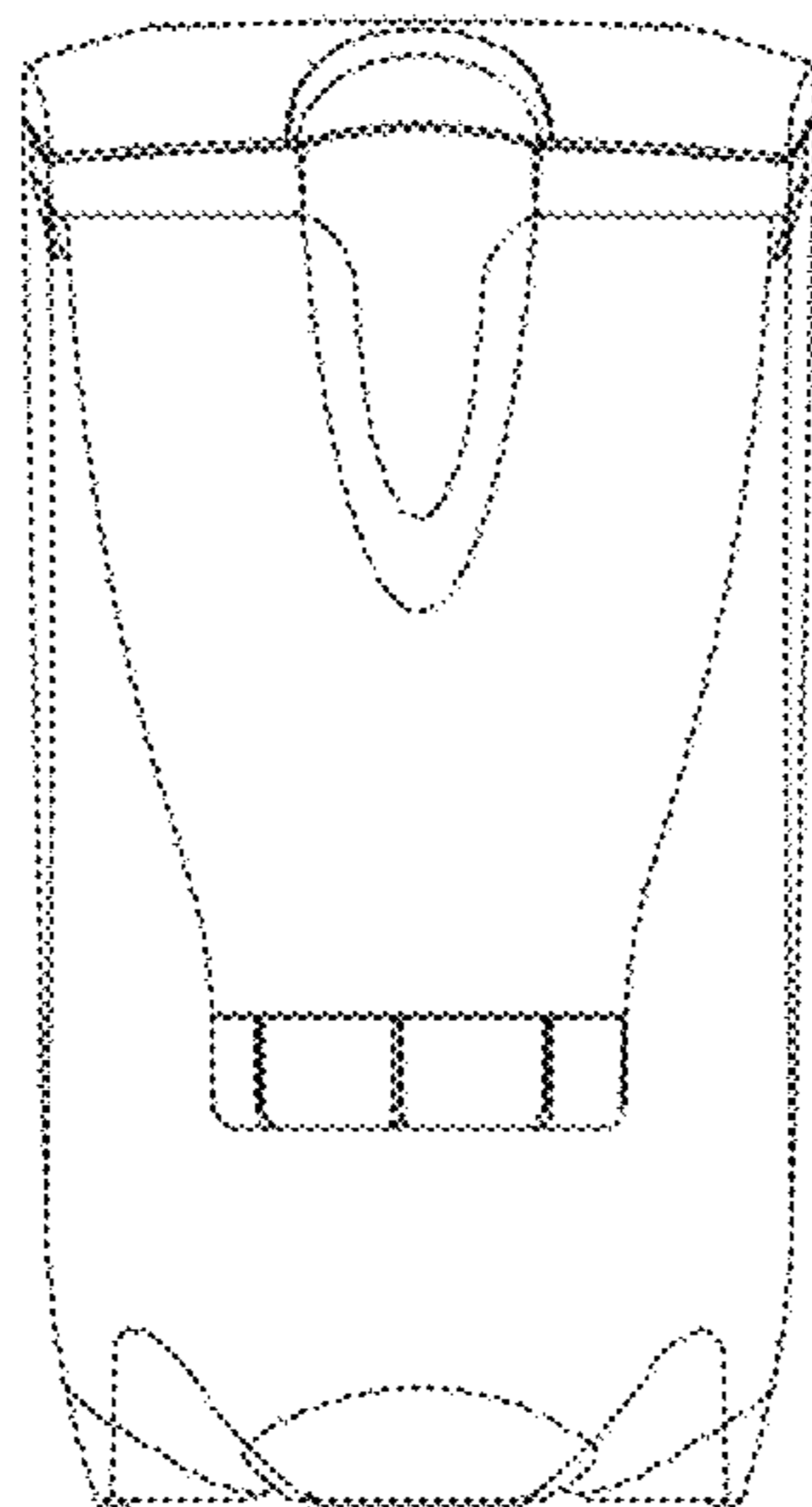


FIG. 4

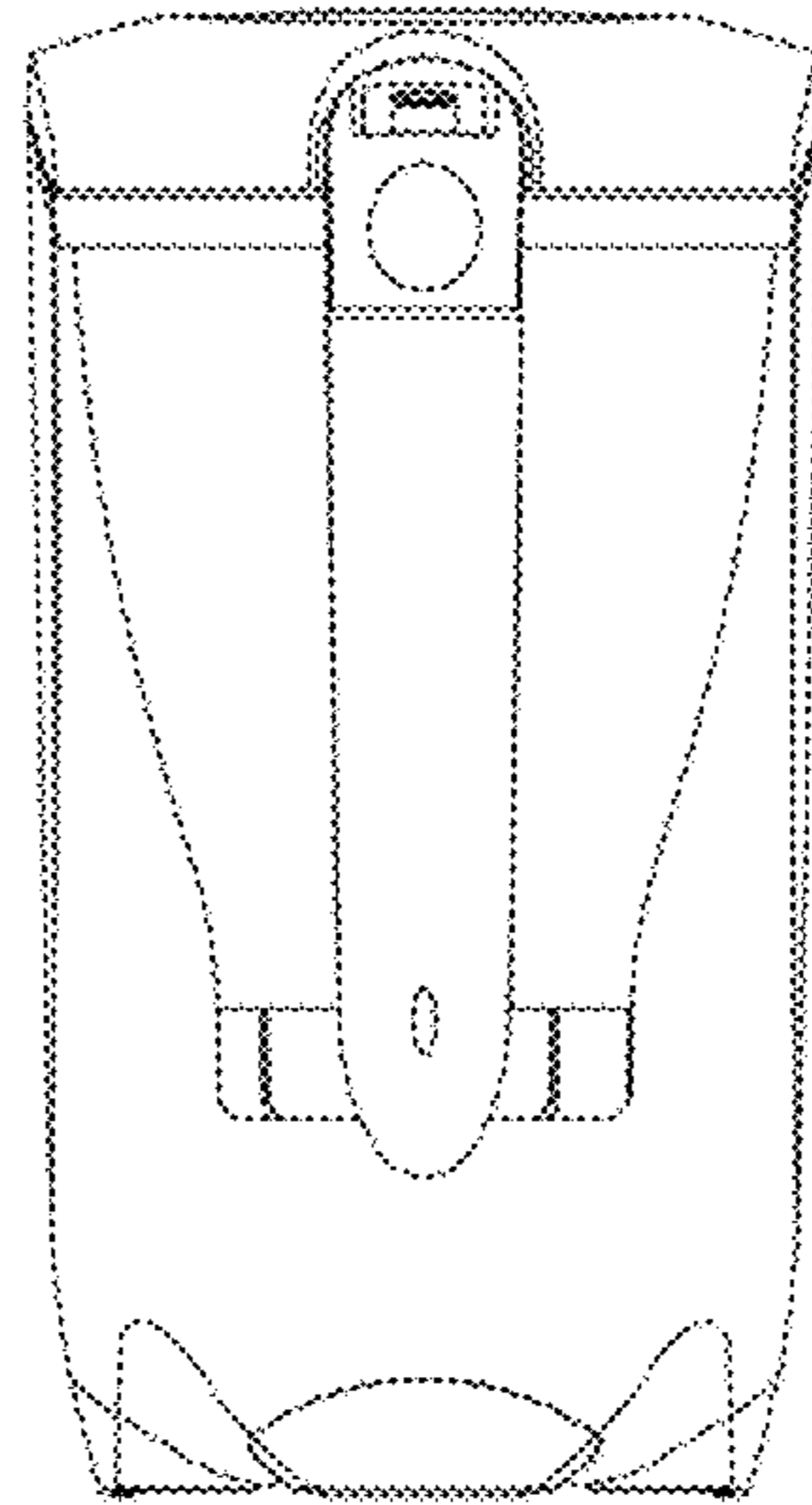


FIG. 5

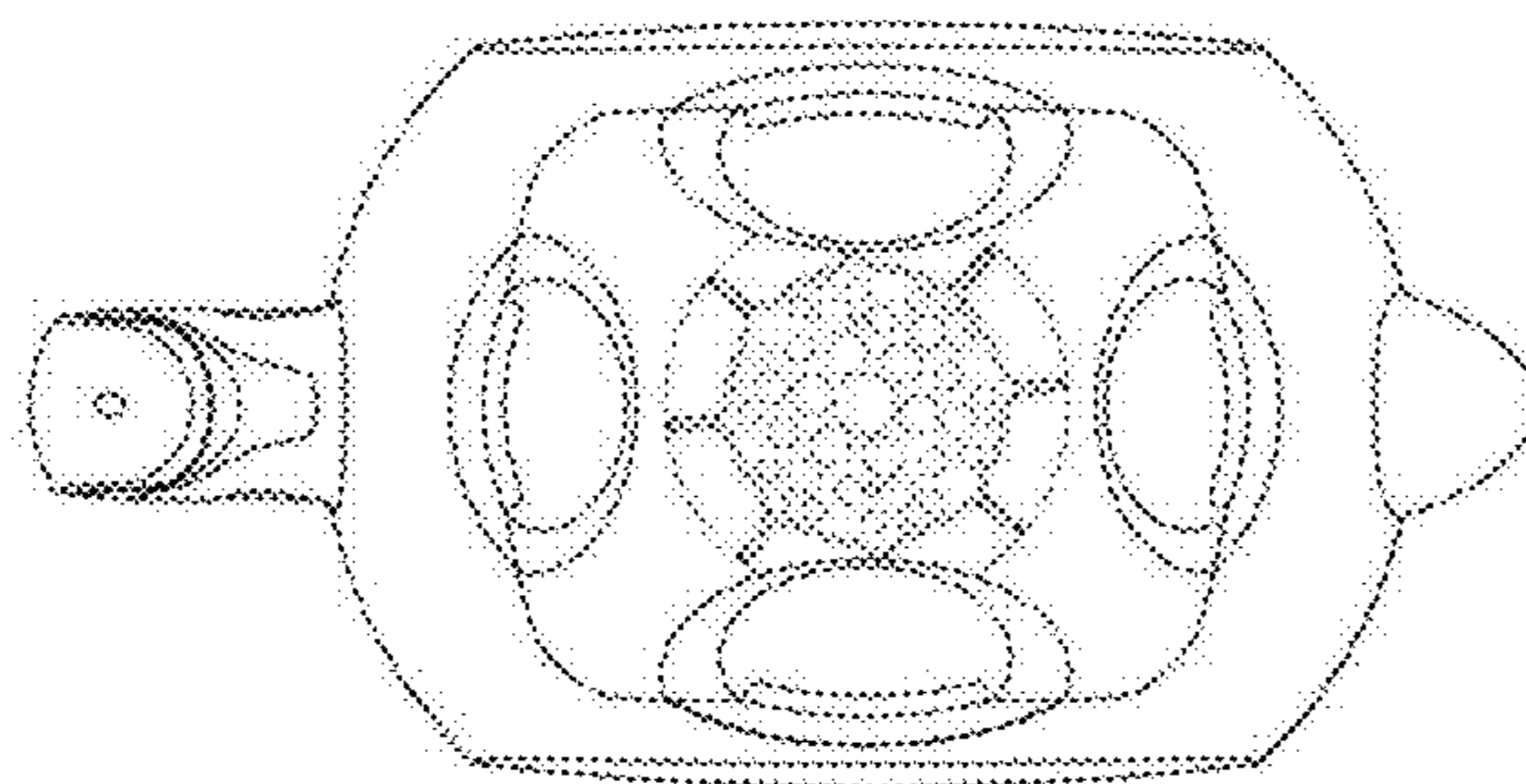


FIG. 6

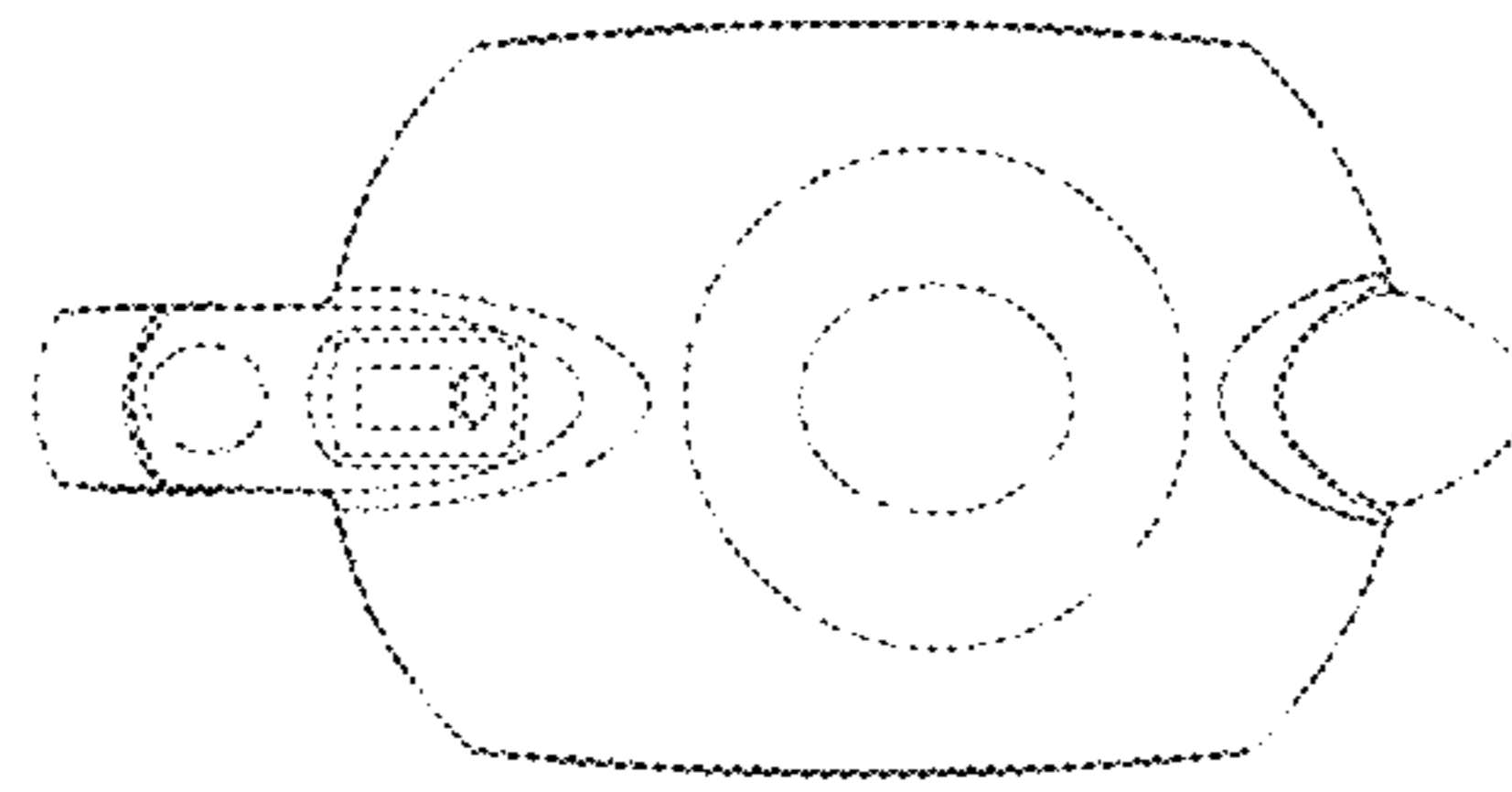


FIG. 7