

US00D796241S

(12) **United States Design Patent** (10) **Patent No.:** **US D796,241 S**  
**Mangold et al.** (45) **Date of Patent:** **\*\* Sep. 5, 2017**

(54) **BEVERAGE BREWER**  
(71) Applicant: **Alpha Dominche Limited**, Salt Lake City, UT (US)  
(72) Inventors: **Adam Roth Mangold**, Salt Lake City, UT (US); **Tymer T. Tilton**, Salt Lake City, UT (US)  
(73) Assignee: **ALPHA DOMINCHE HOLDINGS, INC.**, Dallas, TX (US)

D563,142 S \* 3/2008 Kauer ..... D7/306  
D599,158 S \* 9/2009 Stein ..... D7/301  
D610,857 S \* 3/2010 Pateman ..... D7/306  
D650,625 S \* 12/2011 Fiori ..... D7/306  
D660,079 S \* 5/2012 Ben-David ..... D7/306  
D671,346 S \* 11/2012 Zlatic ..... D23/208  
D702,475 S \* 4/2014 Dalton ..... D7/306  
D722,806 S \* 2/2015 Leyva ..... B67D 1/06  
D728,294 S \* 5/2015 Huang ..... D7/305  
D760,530 S \* 7/2016 Bartoli ..... D7/309  
D761,051 S \* 7/2016 Bartoli ..... D7/309

\* cited by examiner

(\*\*) Term: **15 Years**

*Primary Examiner* — Marianne Pandozzi  
(74) *Attorney, Agent, or Firm* — Phillips Ryther & Winchester; Matthew D. Thayne

(21) Appl. No.: **29/570,563**

(22) Filed: **Jul. 8, 2016**

(51) **LOC (10) Cl.** ..... **07-01**

(52) **U.S. Cl.**  
USPC ..... **D7/306; D7/311; D7/313; D7/309**

(58) **Field of Classification Search**  
USPC ..... D7/305-311, 313; D15/82; 222/129.1, 222/146.6; 99/295  
CPC ..... A47J 31/44; A47J 31/4403; A47J 31/46; A47J 31/4482; A47J 31/369; A47J 31/407; A47J 31/30; A47J 31/20; A47J 4/025; A47J 31/002; B67D 1/36; B67D 2210/0065; B67D 1/0864; B67D 3/0061  
See application file for complete search history.

(57) **CLAIM**

The ornamental design for a beverage brewer, as shown and described.

**DESCRIPTION**

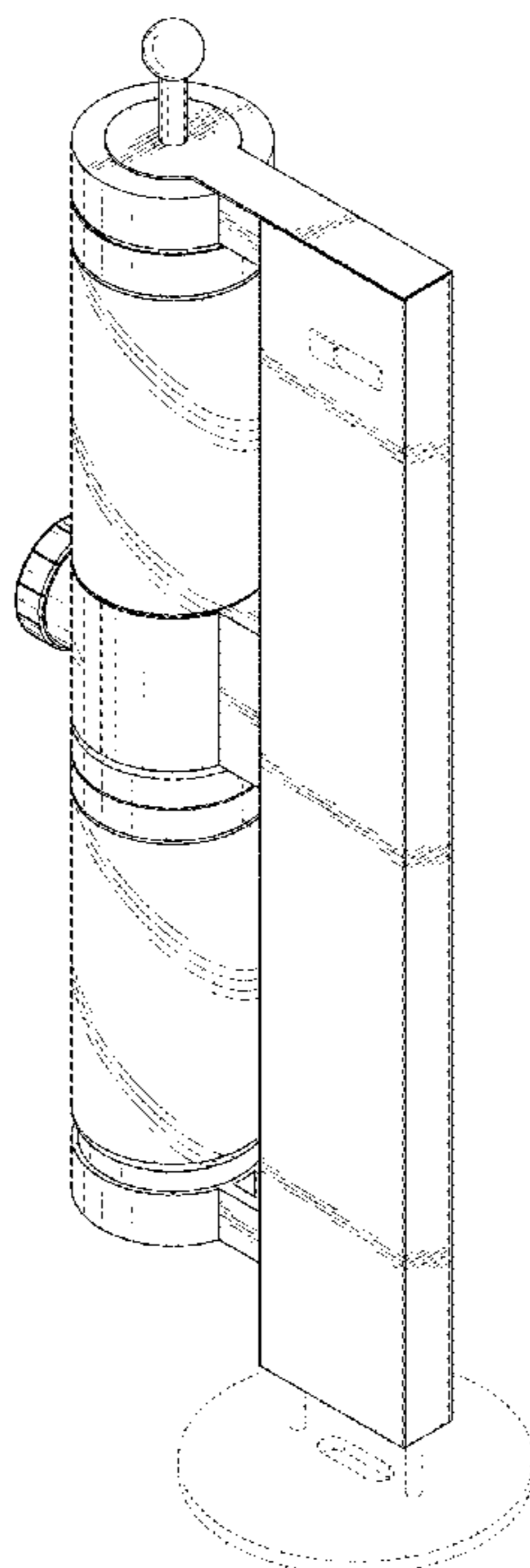
FIG. 1 is an upper, perspective view of a beverage brewer illustrating the new design;  
FIG. 2 is a lower, perspective view thereof;  
FIG. 3 is a first side elevation view thereof;  
FIG. 4 is a rear elevation view thereof;  
FIG. 5 is a second side elevation view thereof opposite from the first side;  
FIG. 6 is a front elevation view thereof;  
FIG. 7 is a bottom plan view thereof; and,  
FIG. 8 is a top plan view thereof.  
The broken lines in the drawing depict portions of the beverage brewer that form no part of the claimed design.

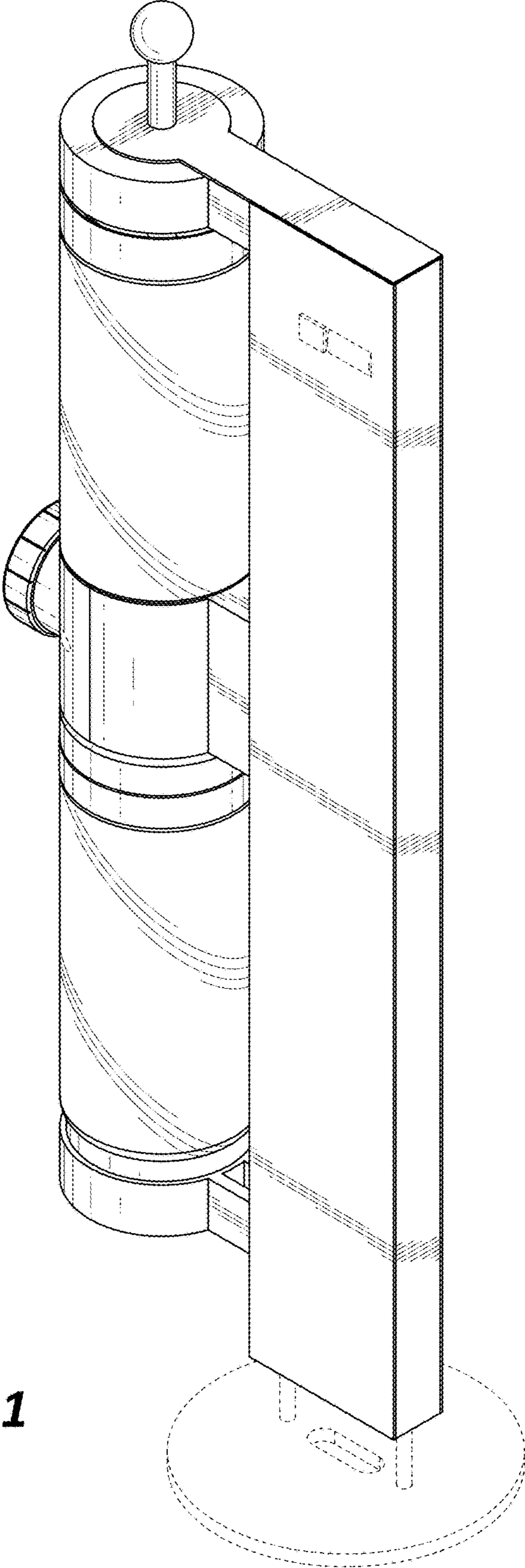
(56) **References Cited**

**U.S. PATENT DOCUMENTS**

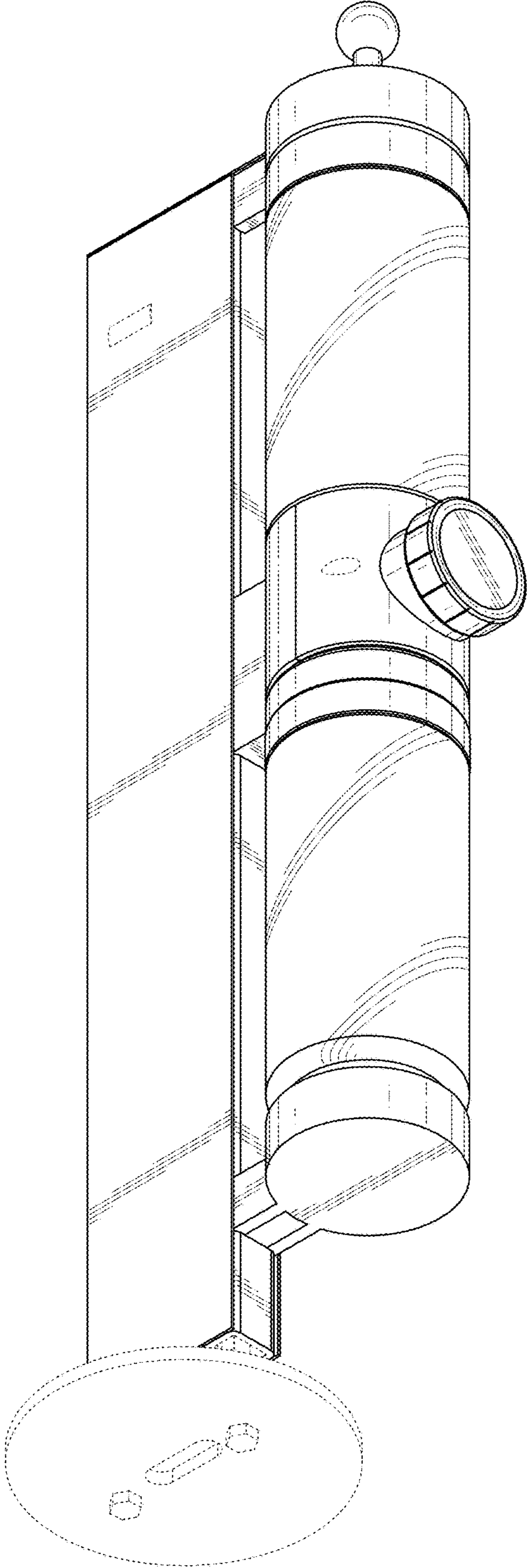
D343,981 S \* 2/1994 Ferrara, Jr. .... D7/309  
D489,214 S \* 5/2004 Noda ..... D7/309  
D552,402 S \* 10/2007 Schwamkrug ..... D7/309

**1 Claim, 5 Drawing Sheets**

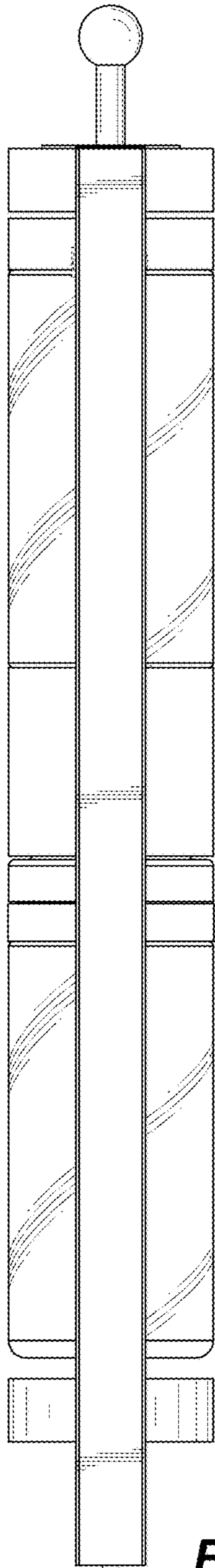




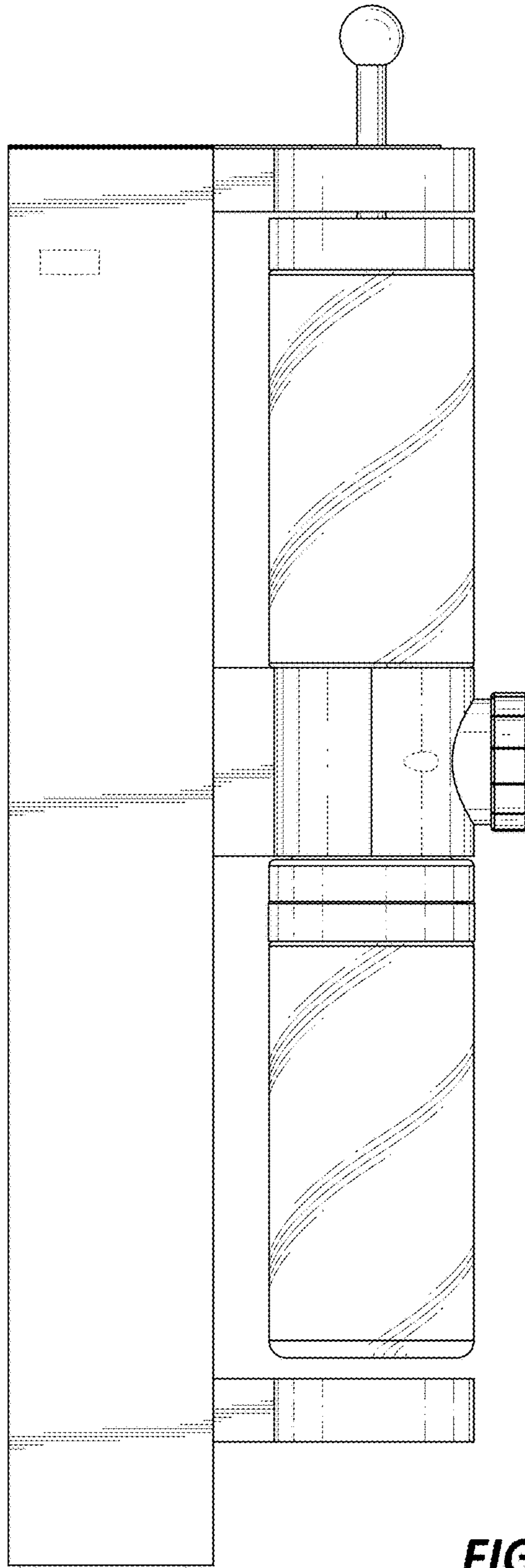
**FIG. 1**



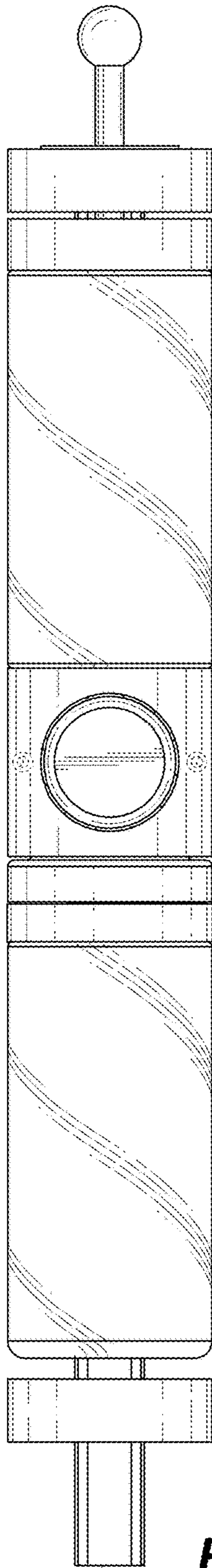
**FIG. 2**



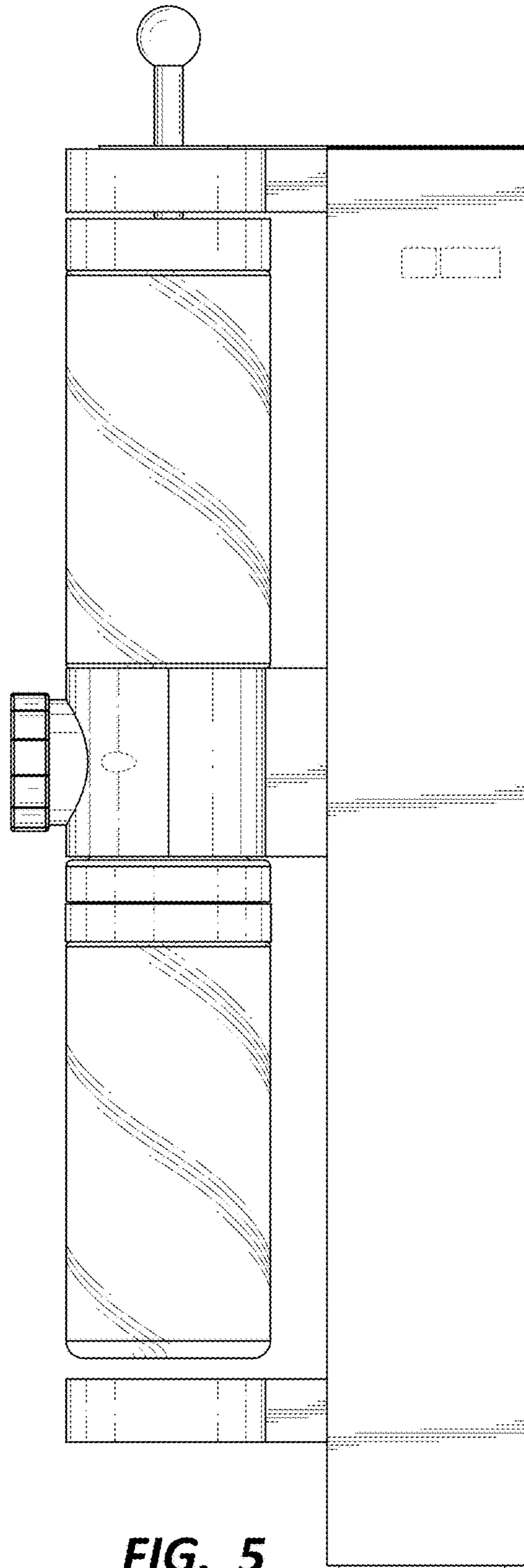
**FIG. 4**



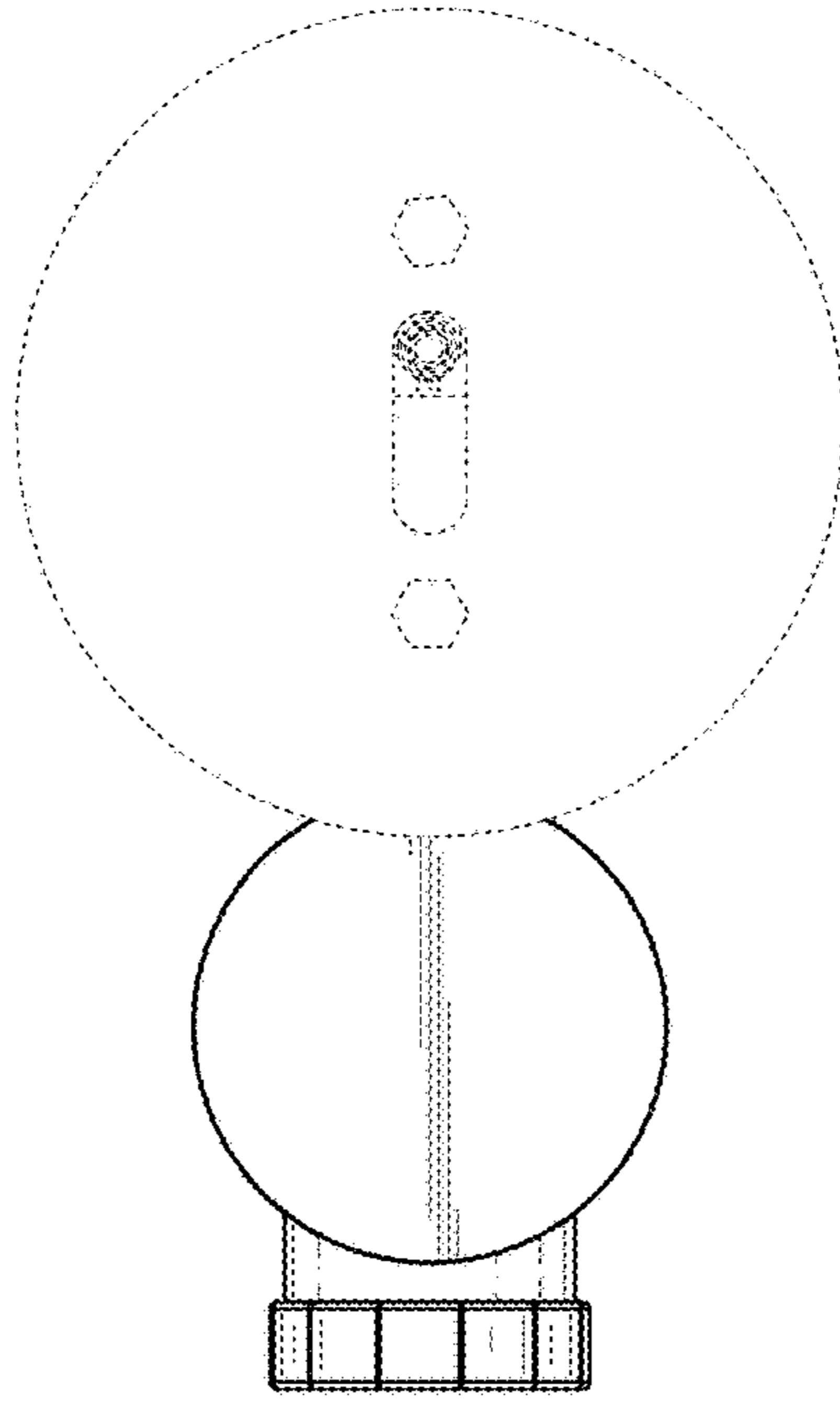
**FIG. 3**



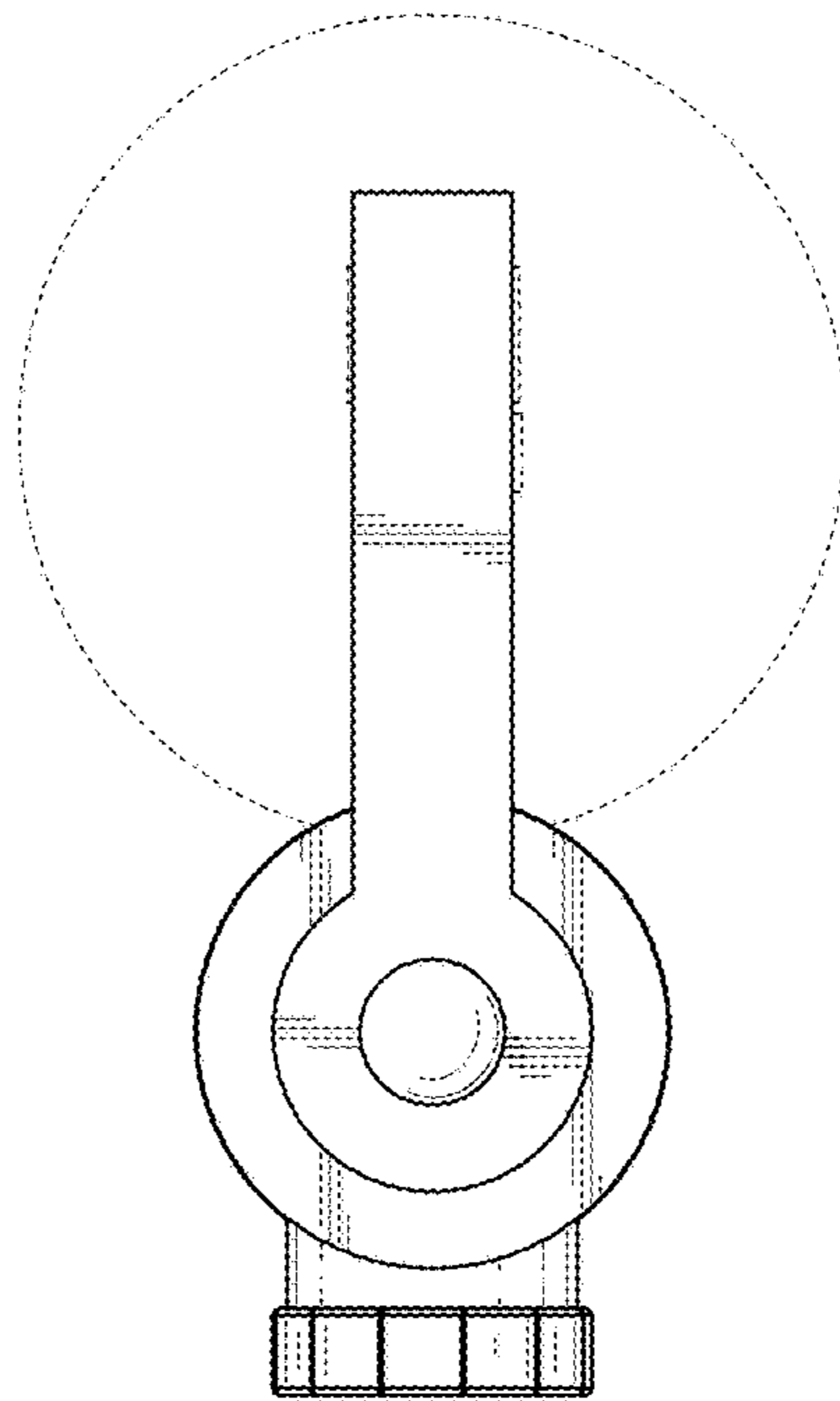
**FIG. 6**



**FIG. 5**



**FIG. 7**



**FIG. 8**