

US00D796240S

(12) **United States Design Patent**
Furuland

(10) **Patent No.:** **US D796,240 S**
(45) **Date of Patent:** **** Sep. 5, 2017**

- (54) **INFANT BED ACCESSORY**
- (71) Applicant: **Enfant Terrible Design AB**, Norrtälje (SE)
- (72) Inventor: **Lisa Furuland**, Norrtälje (SE)
- (73) Assignee: **Enfant Terrible Design AB**, Norrtälje (SE)
- (**) Term: **15 Years**
- (21) Appl. No.: **29/577,777**
- (22) Filed: **Sep. 15, 2016**
- (51) **LOC (10) Cl.** **06-06**
- (52) **U.S. Cl.**
USPC **D6/718; D6/710**
- (58) **Field of Classification Search**
USPC D6/390, 391, 718, 718.26, 718.29, 331, D6/333, 710; D19/163, 185, 195; D8/396
CPC A47D 13/00; A47D 13/063; A47D 13/08; A47D 7/002; A47D 9/005; A47D 15/003
See application file for complete search history.

7,302,724 B2 * 12/2007 Solomon A47D 15/003
5/417
7,766,367 B2 * 8/2010 Dotsey B62B 7/086
280/647
8,024,829 B2 9/2011 Carr et al.
(Continued)

FOREIGN PATENT DOCUMENTS

SE 20080586 8/2009
Primary Examiner — Cathron Brooks
(74) *Attorney, Agent, or Firm* — Ward and Smith, P.A.;
Ryan K. Simmons

(57) **CLAIM**

The ornamental design for an infant bed accessory, as shown and described.

DESCRIPTION

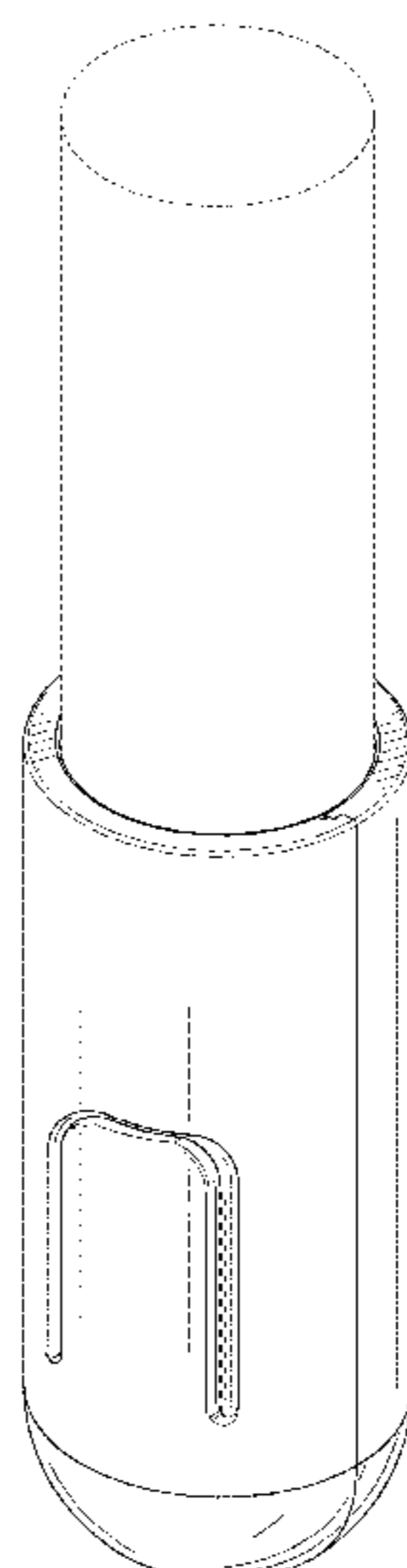
FIG. 1 is a perspective view of an infant bed accessory showing a new design;
FIG. 2 is a front view thereof;
FIG. 3 is a back view thereof;
FIG. 4 is a right side view thereof, the left side being a mirror image thereof;
FIG. 5 is a top view thereof;
FIG. 6 is a bottom view thereof;
FIG. 7 is a right side cross-sectional view thereof;
FIG. 8 is a perspective view of the infant bed accessory in an installed configuration;
FIG. 9 is a right side view thereof;
FIG. 10 is a left side view thereof;
FIG. 11 is a back view thereof;
FIG. 12 is a front view thereof;
FIG. 13 is a top view thereof; and,
FIG. 14 is a bottom view thereof.
The dashed lines in the drawings illustrate both portions of the infant bed accessory and the environment of infant bed accessory, and form no part of the claimed design.

(56) **References Cited**

U.S. PATENT DOCUMENTS

- 2,633,898 A * 4/1953 Worgan A47C 3/38
16/42 R
- D263,192 S * 3/1982 LeVan D6/708
- 4,788,726 A 12/1988 Rafalko
- 4,972,864 A * 11/1990 Almond E04H 15/62
135/118
- D317,232 S * 6/1991 Vogtherr D6/710
- D333,389 S 2/1993 Saito et al.
- 5,299,883 A * 4/1994 Arth, Jr. E01F 15/0469
256/13.1
- D380,274 S * 6/1997 Stamets D25/38.1
- D415,919 S 11/1999 Porter
- D465,585 S * 11/2002 Venegas, Jr. D25/126
- 7,234,199 B2 * 6/2007 Bushey A47B 91/06
16/42 R

1 Claim, 13 Drawing Sheets



(56)

References Cited

U.S. PATENT DOCUMENTS

D652,712 S * 1/2012 Bushey D8/374
D666,843 S 9/2012 Furuland
D673,789 S 1/2013 Furuland
D673,790 S 1/2013 Furuland
D673,791 S 1/2013 Furuland
D716,896 S * 11/2014 Blackwood D21/811
9,464,646 B2 * 10/2016 Burns F16B 1/00
D774,879 S * 12/2016 Martinson D8/394
2004/0064887 A1 * 4/2004 Cheng A47D 13/06
5/310
2006/0026766 A1 2/2006 Brewin
2008/0213039 A1 * 9/2008 Chen A47D 9/00
403/325
2015/0330549 A1 * 11/2015 Drane F16L 57/005
138/89

* cited by examiner

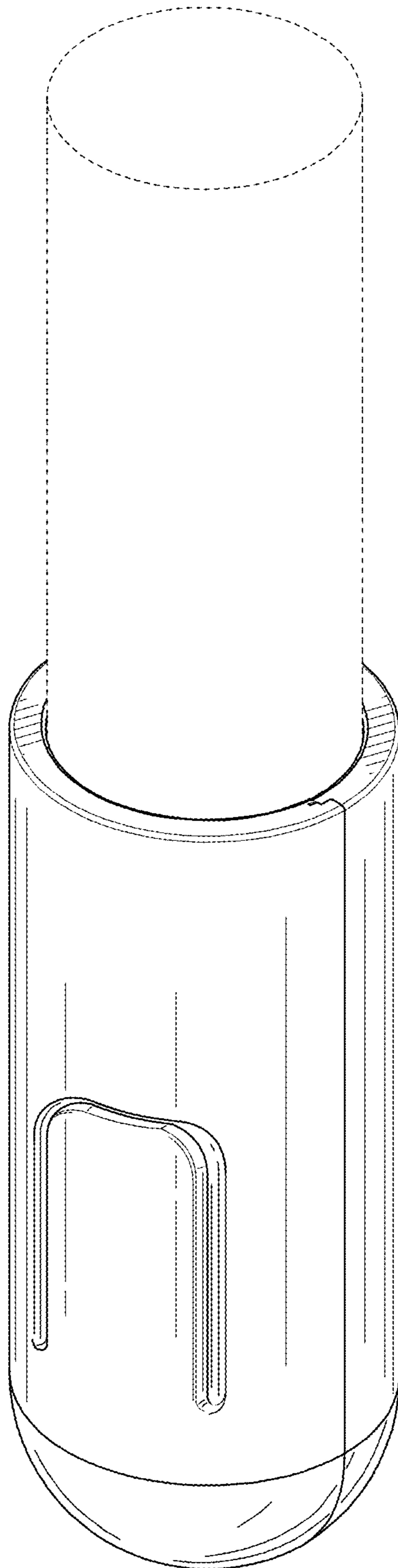


FIG. 1

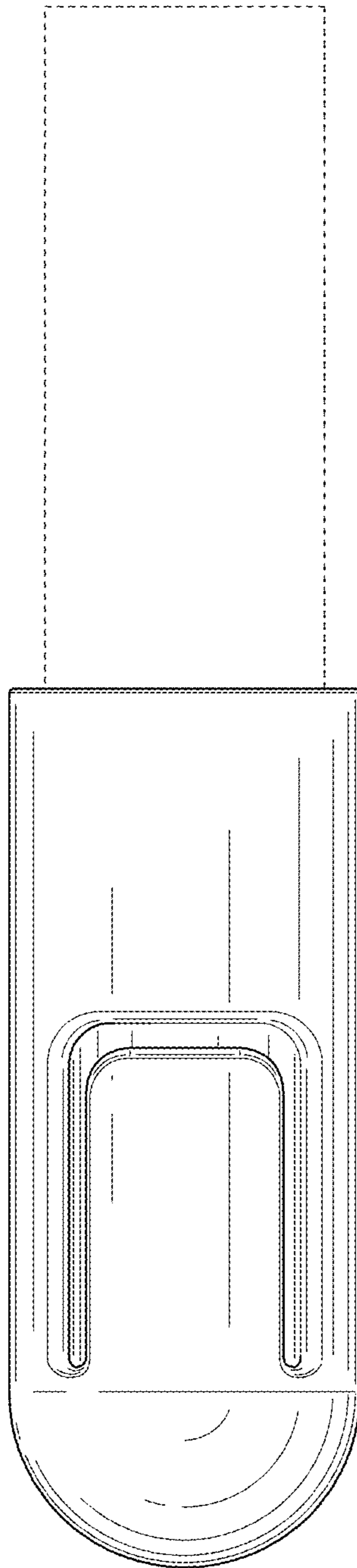


FIG. 2

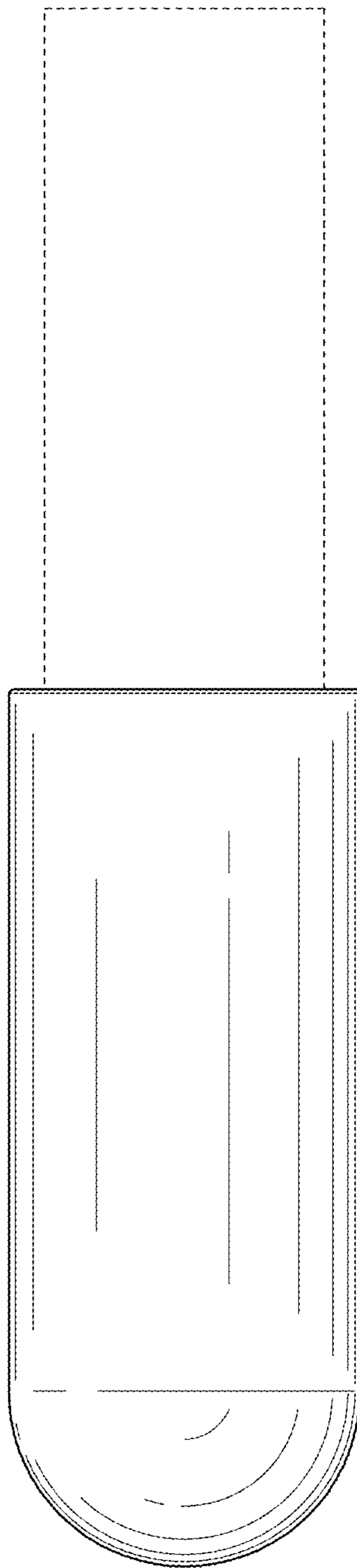


FIG. 3

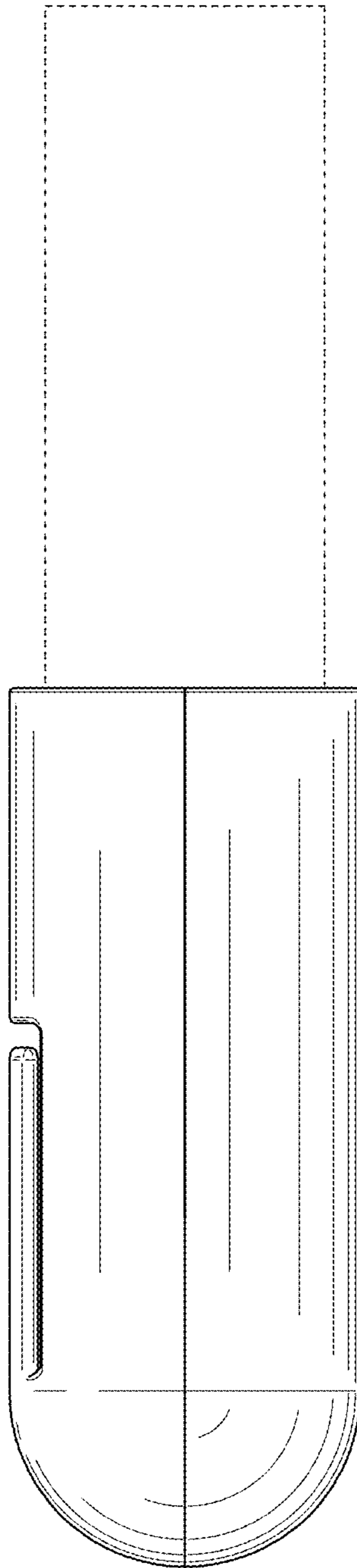


FIG. 4

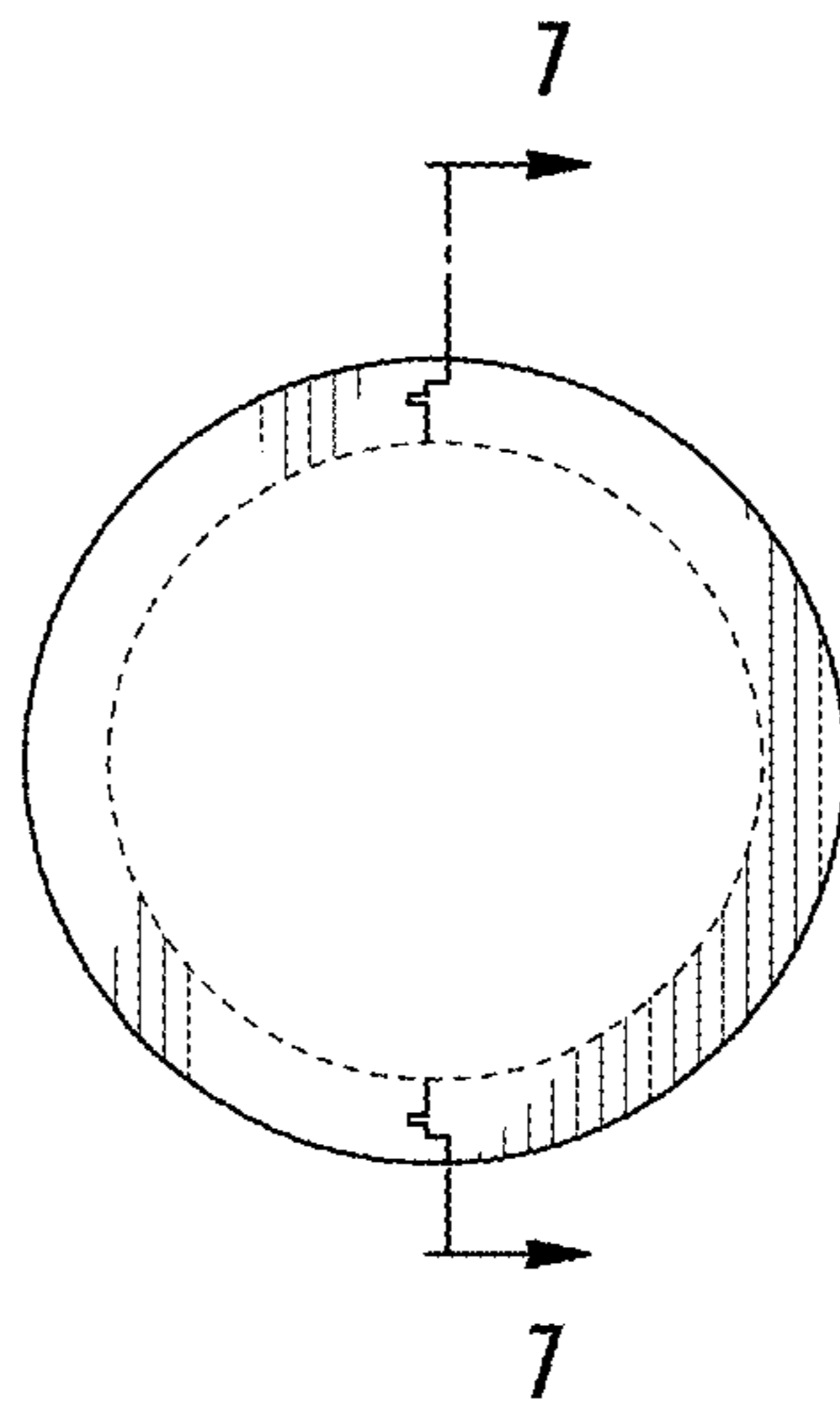


FIG. 5

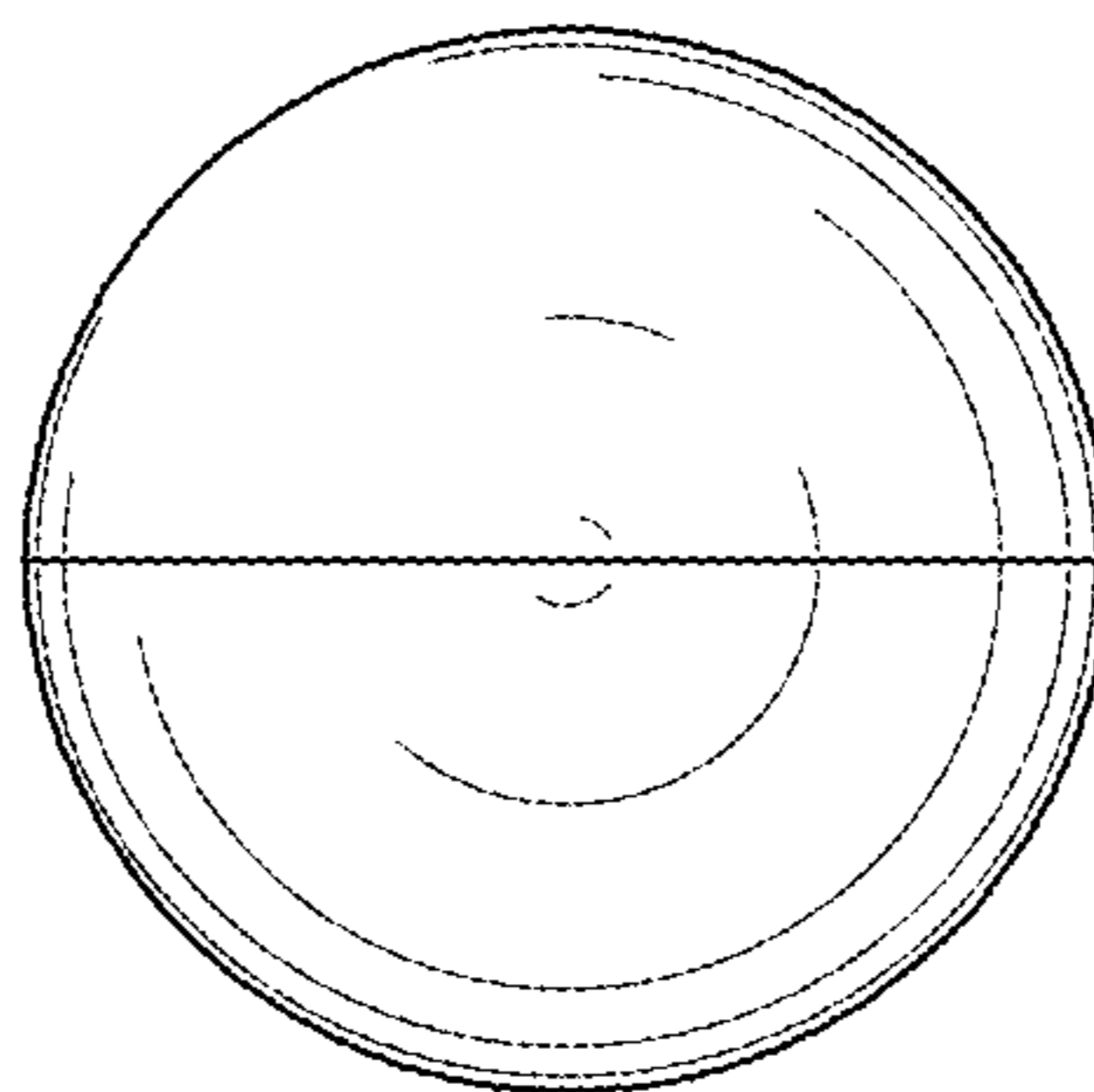


FIG. 6

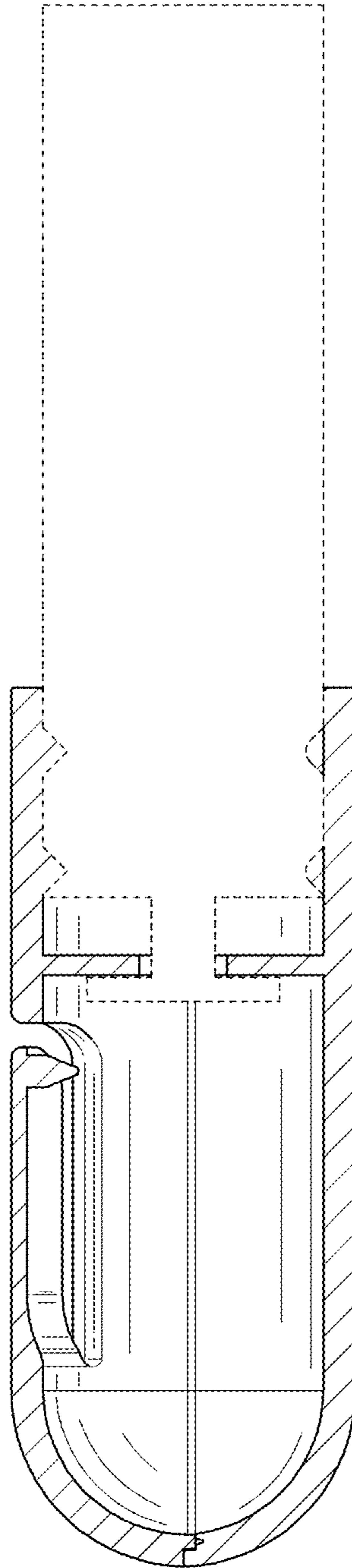


FIG. 7

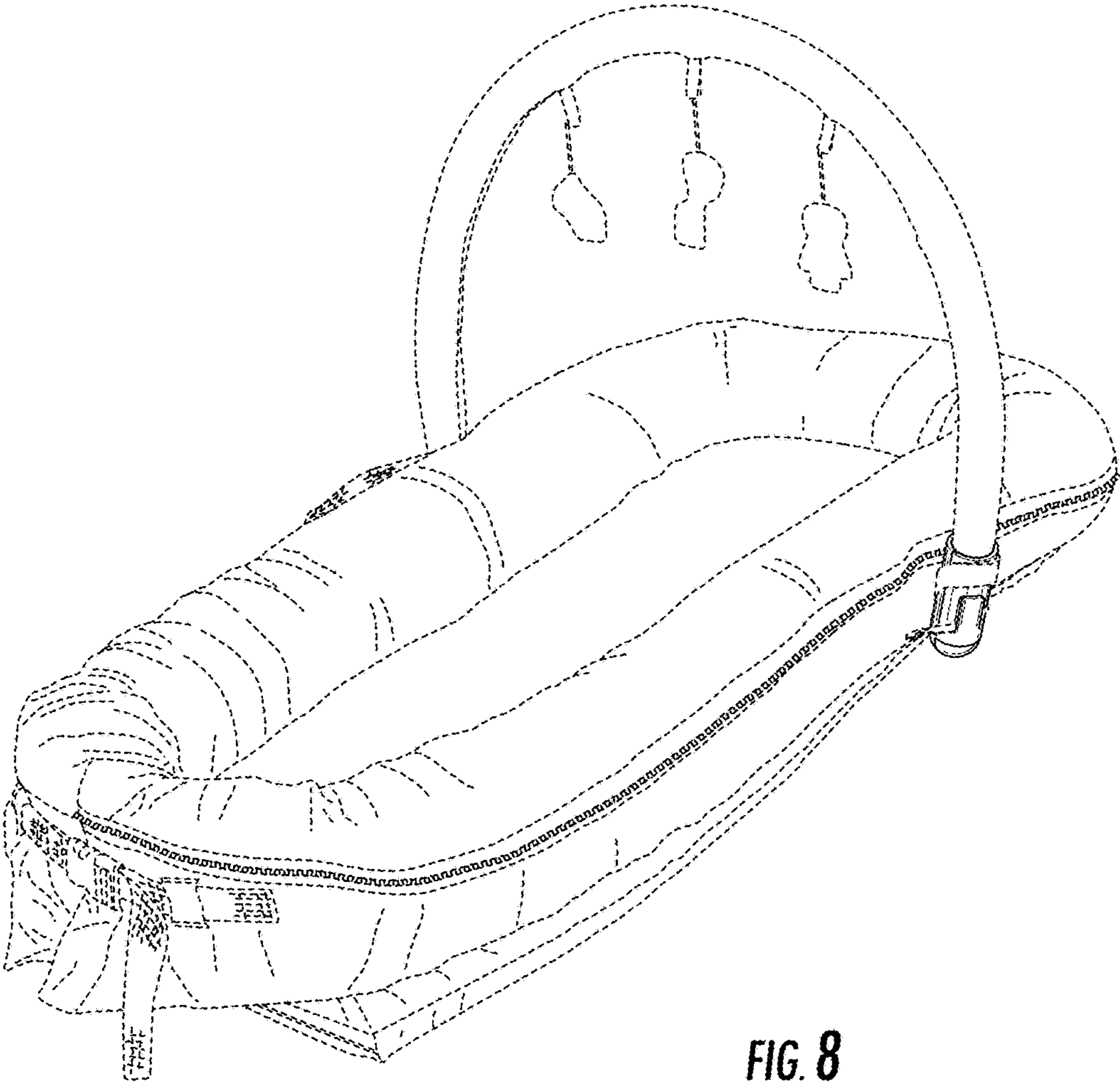


FIG. 8

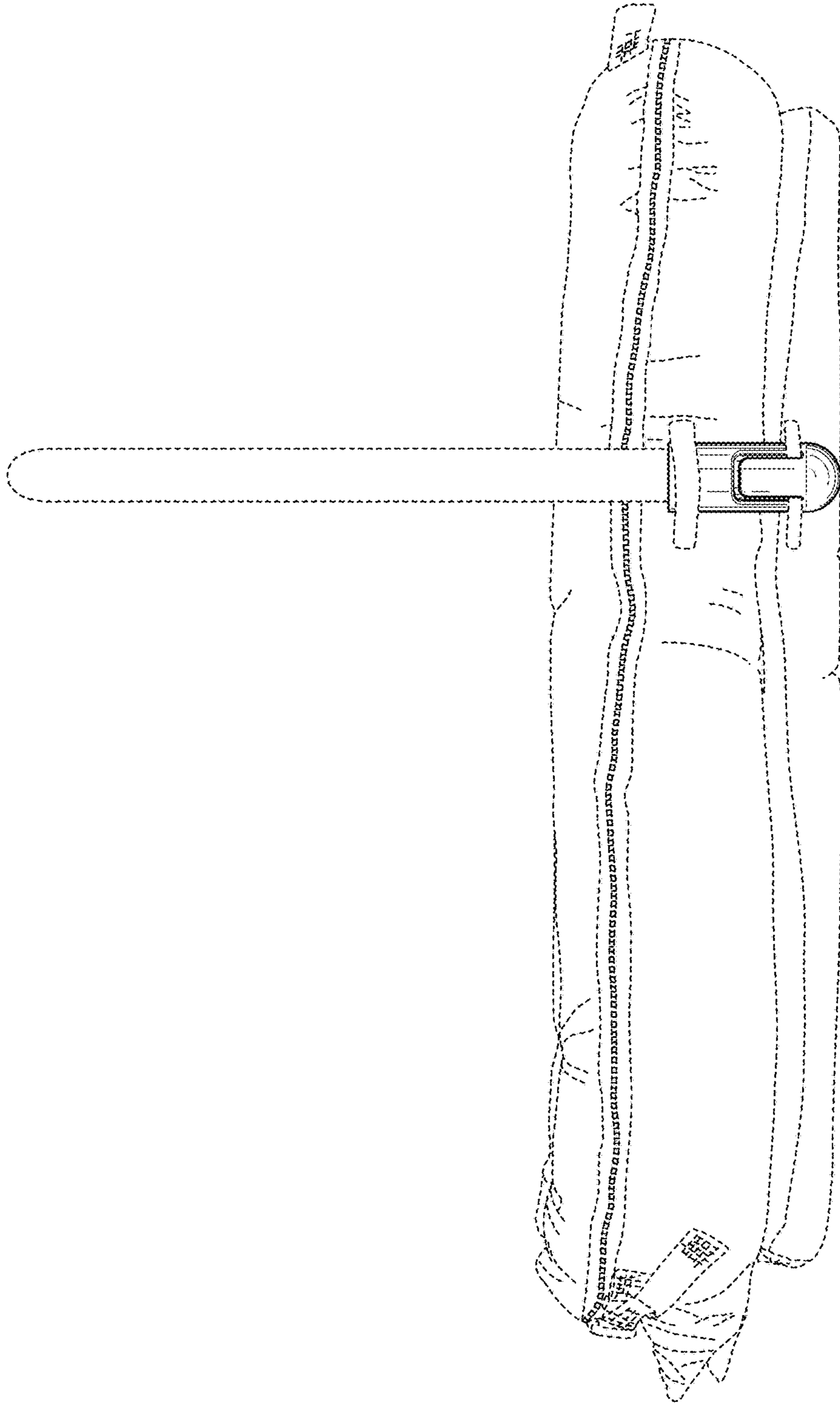


FIG. 9

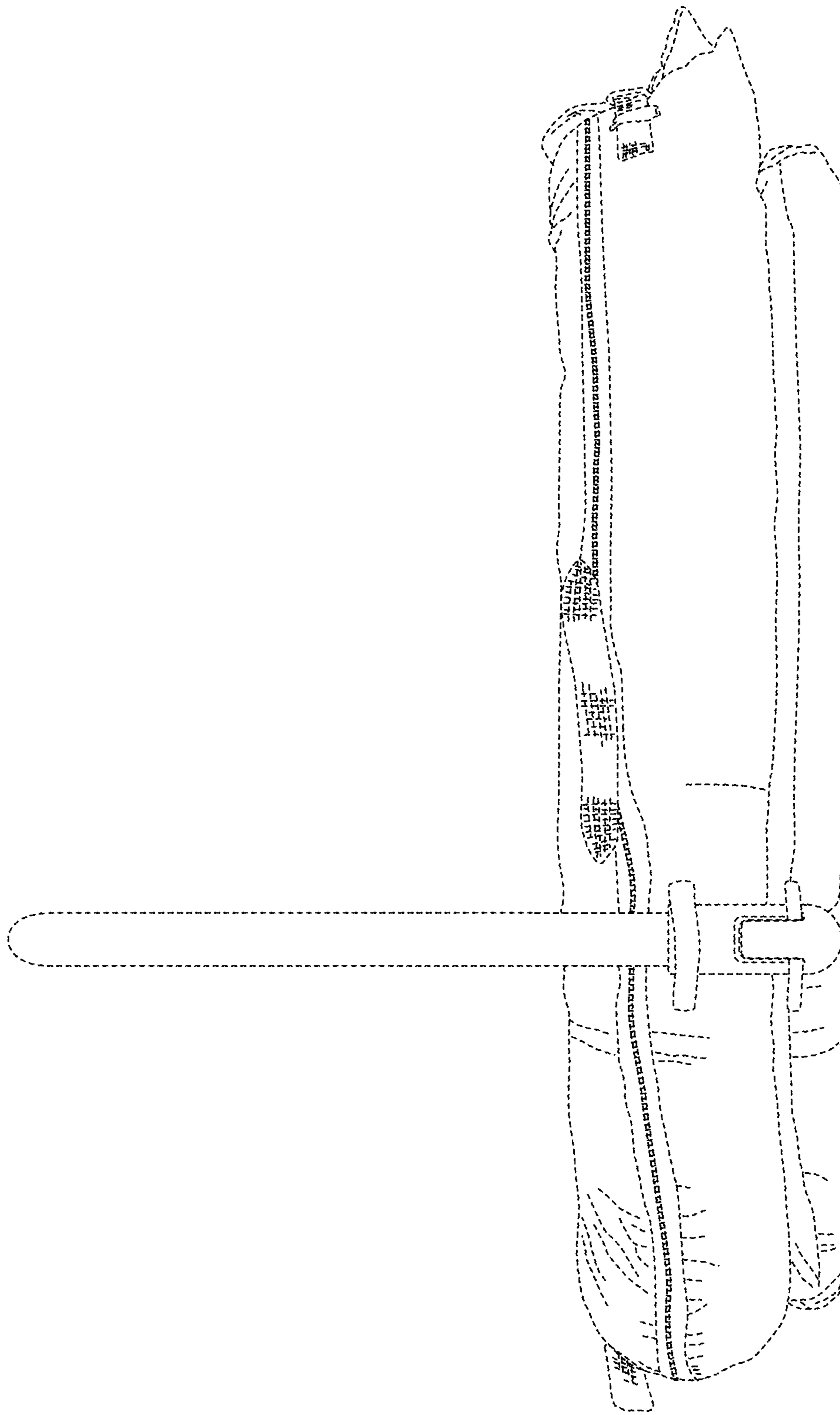


FIG. 10

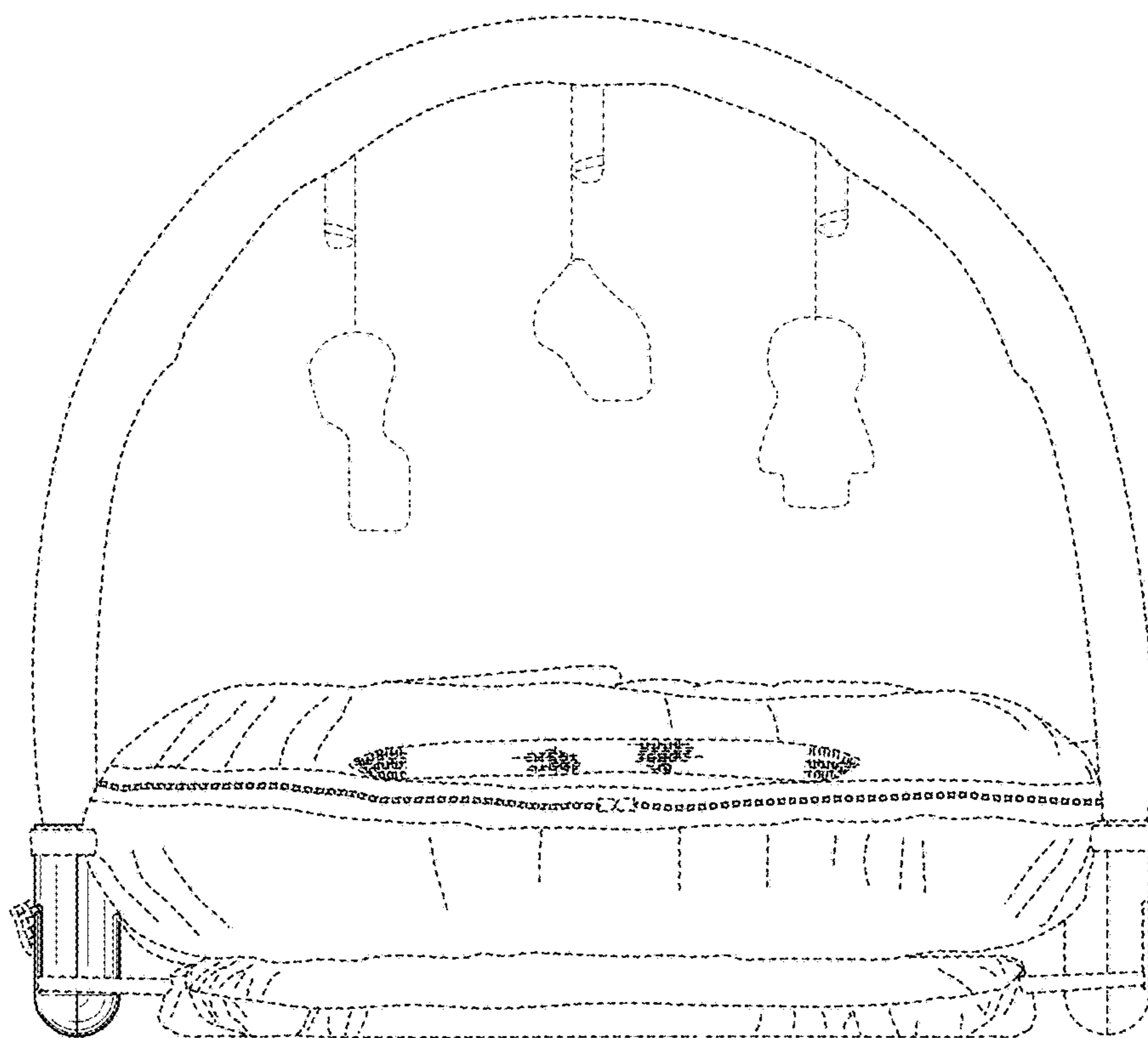


FIG. 11

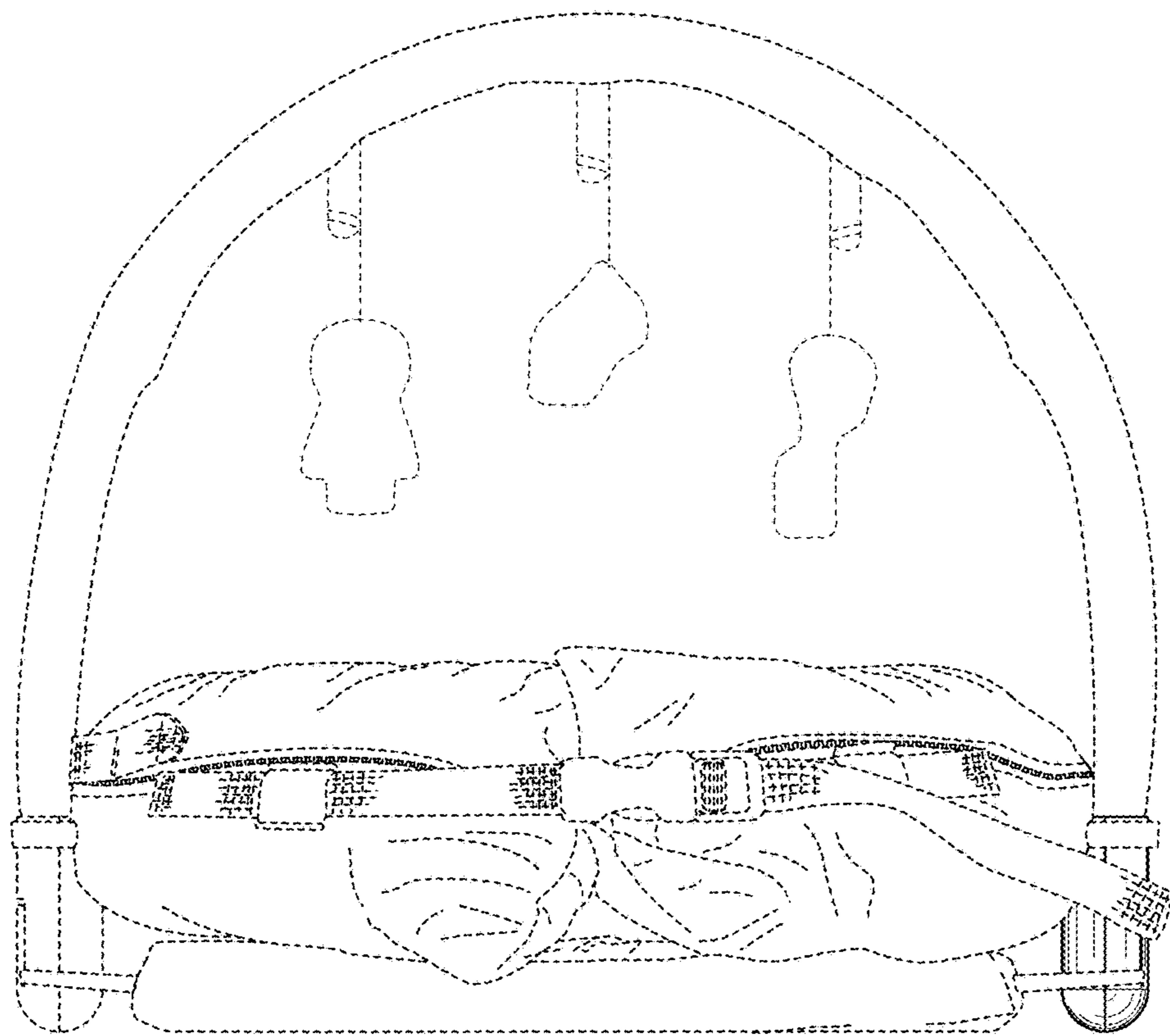


FIG. 12

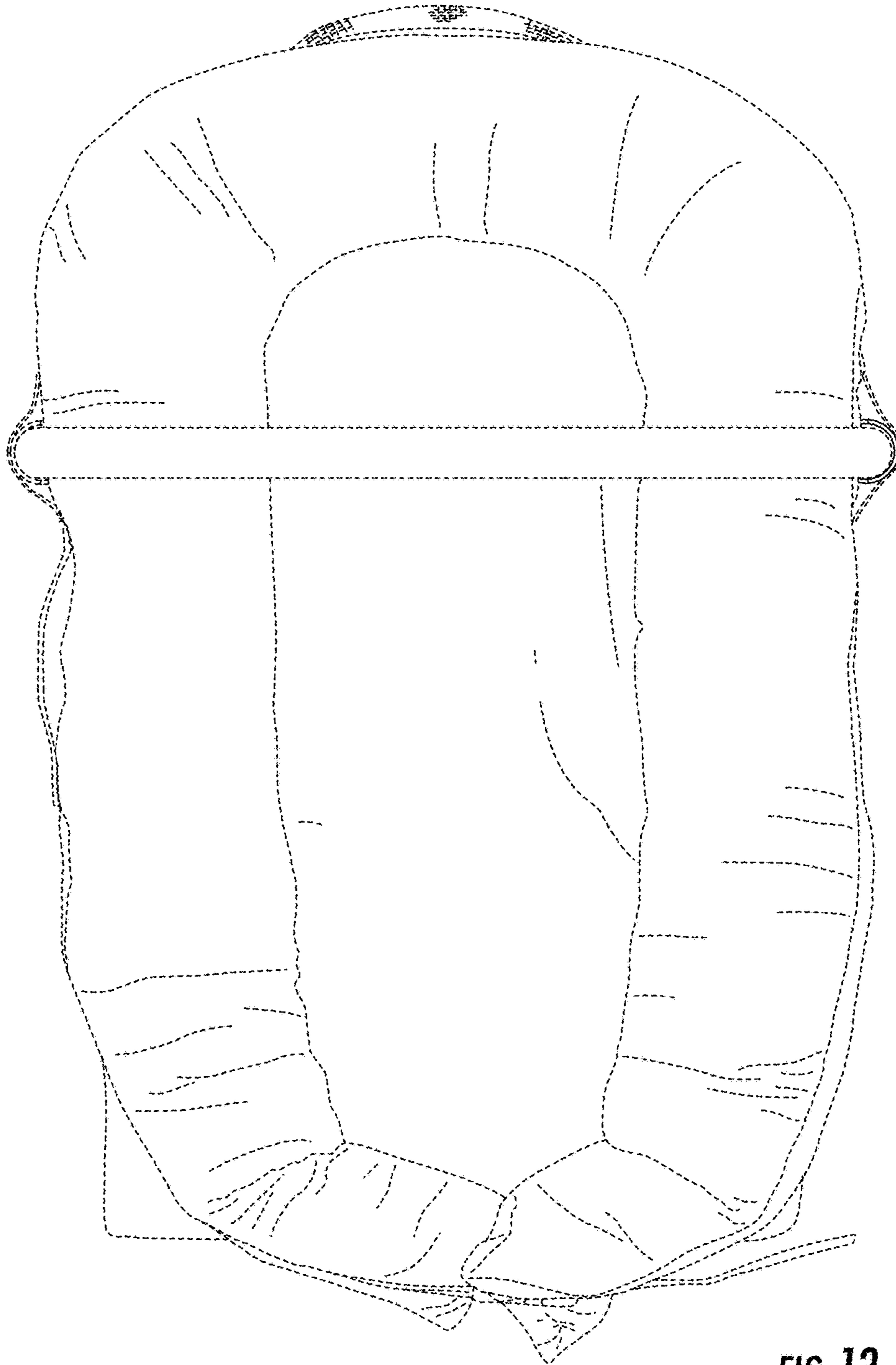


FIG. 13

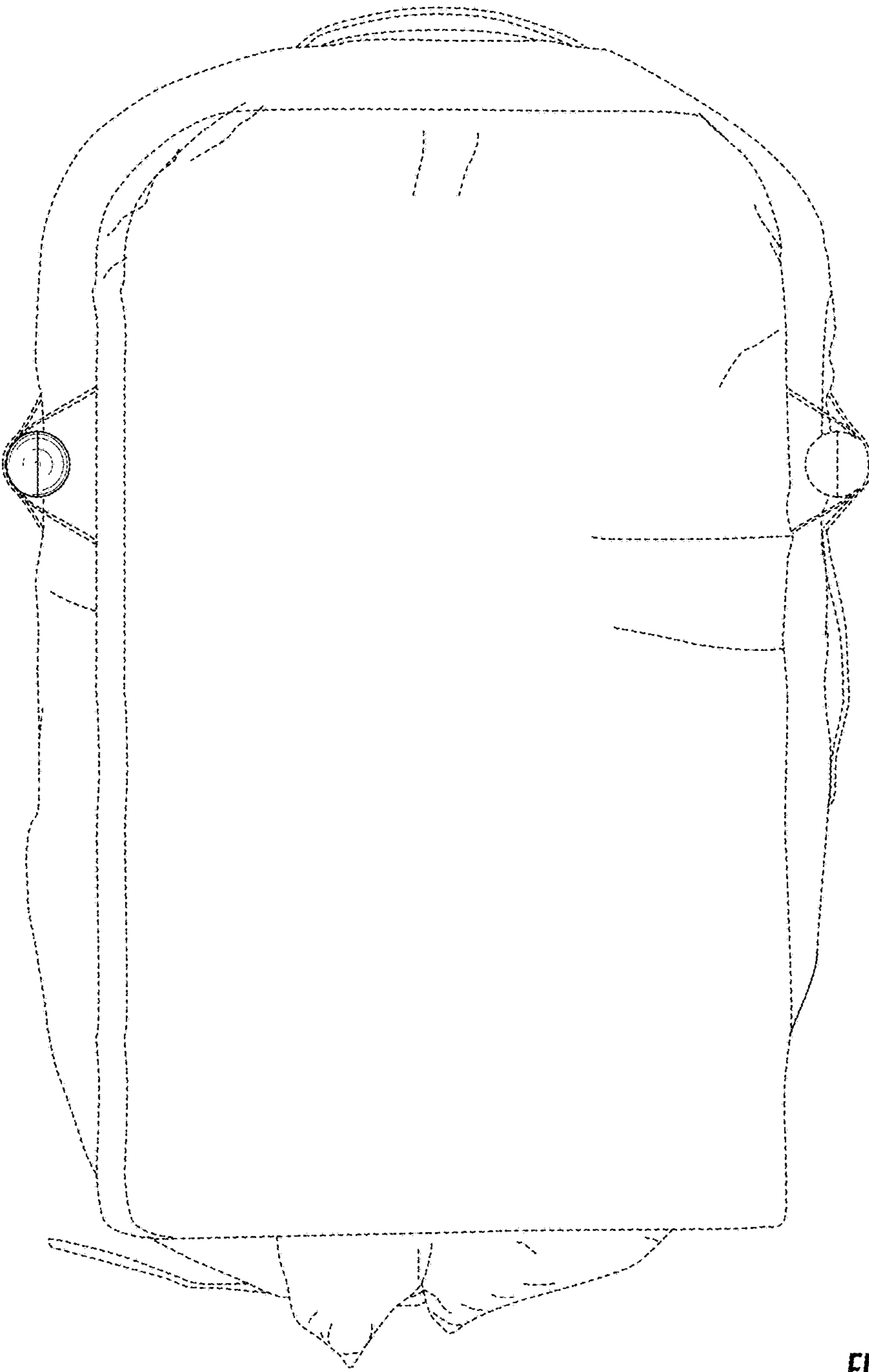


FIG. 14