



US00D796238S

(12) **United States Design Patent** (10) **Patent No.:** **US D796,238 S**  
**Shah et al.** (45) **Date of Patent:** **\*\* Sep. 5, 2017**

(54) **CABINET** D384,519 S \* 10/1997 Bergelin ..... D6/668.2  
5,735,586 A 4/1998 Cheng  
(71) Applicant: **NewAge Products, Inc.**, Vaughan (CA) D396,577 S \* 8/1998 Zaidman ..... D6/671.1  
D409,613 S 5/1999 McGee  
(72) Inventors: **Parag Shah**, Toronto (CA); **Frank Spano**, Toronto (CA); **Robert Vandenharm**, North York (CA) D439,782 S 4/2001 Melillo  
D471,377 S 3/2003 Gledhill  
(Continued)

(73) Assignee: **NEWAGE PRODUCTS, INC.**, Vaughan, Ontario (CA) CA 2 167 256 A1 7/1997  
CA 108997 11/2006  
(\*\*) Term: **15 Years** (Continued)

(21) Appl. No.: **29/590,691** OTHER PUBLICATIONS  
(22) Filed: **Jan. 12, 2017** Garage Fabricators, "Installed Garage Setup", downloaded from www.garagefabricators.com on Jul. 17, 2013, 1 page.  
(Continued)

**Related U.S. Application Data**  
(62) Division of application No. 29/491,497, filed on May 21, 2014.  
(51) **LOC (10) Cl.** ..... **06-06**  
(52) **U.S. Cl.**  
USPC ..... **D6/703**  
(58) **Field of Classification Search**  
USPC ..... D6/703, 703.3, 705.5, 657, 559, 661, D6/663, 664, 668, 668.1, 668.2, 671, D6/671.1-671.4; 312/138.1, 217, 224, 312/257.1, 293.2; D34/27; D3/247; D8/351  
CPC ..... A47B 88/22; A47B 17/04; A47B 53/02; A47B 67/00; A47B 67/02; A47B 67/04; A47B 67/005  
See application file for complete search history.

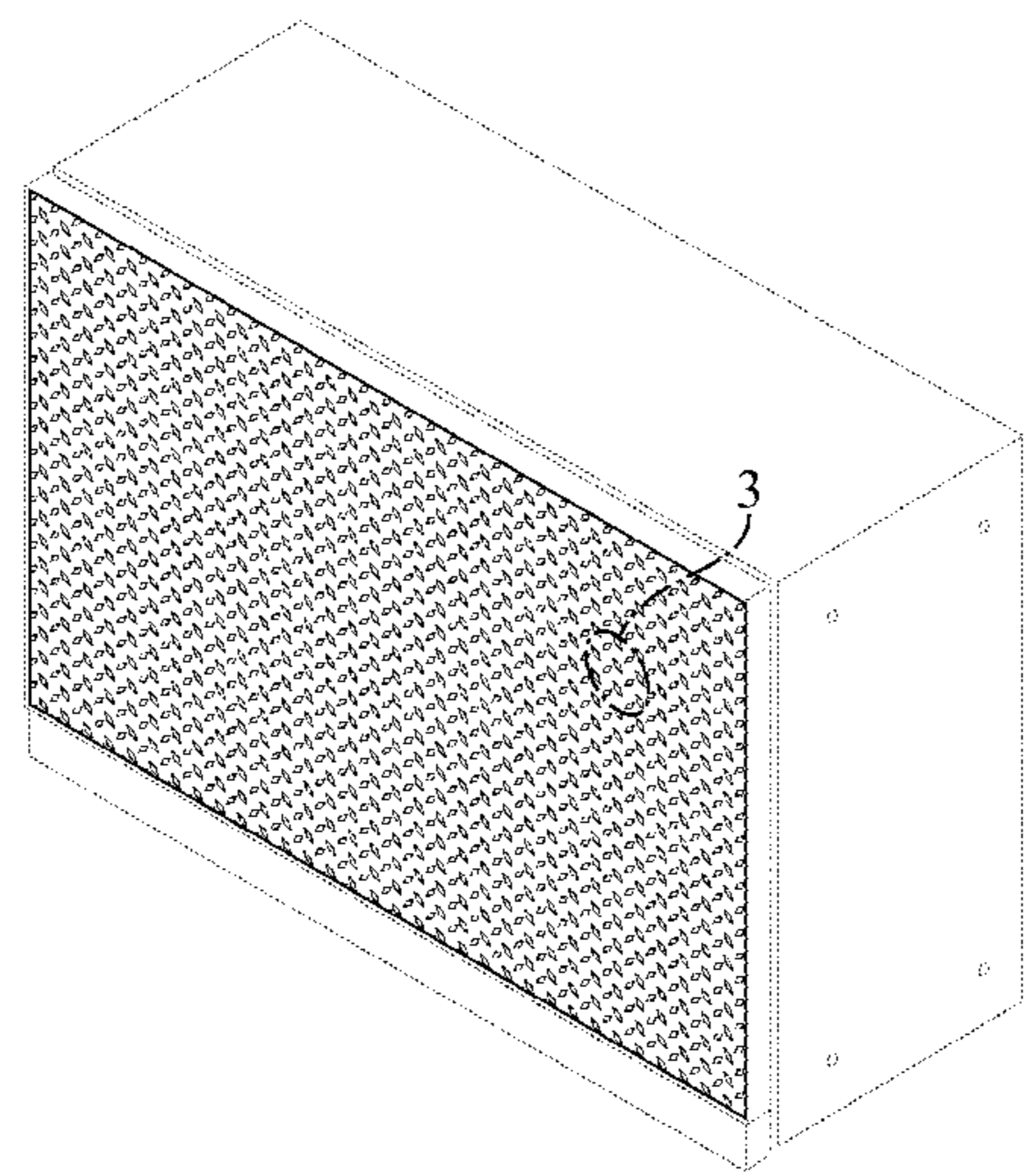
(56) **References Cited**  
U.S. PATENT DOCUMENTS  
D95,158 S 4/1935 Surerus  
D349,091 S 7/1994 Dickinson  
D372,011 S 7/1996 Tyler  
D373,989 S 9/1996 Dickinson

*Primary Examiner* — Susan Bennett Hattan  
*Assistant Examiner* — Rebecca Tsehaye  
(74) *Attorney, Agent, or Firm* — Howard & Howard Attorneys PLLC

(57) **CLAIM**  
An ornamental design for a cabinet, as shown and described.

**DESCRIPTION**  
FIG. 1 is a right front perspective view of the design for a cabinet of the invention  
FIG. 2 is a front elevational view of the cabinet of FIG. 1. The ornamental design is not visible in the rear view, top plan view, bottom view or side views; and,  
FIG. 3 is an enlarged view of the pattern on the door of the cabinet of FIG. 1.  
The broken lines in the drawings depict parts of the cabinet that form no part of the claimed design.  
The characteristic feature of the ornamental design resides in the use of a pattern on the doors of the cabinet.

**1 Claim, 3 Drawing Sheets**



(56)

References Cited

U.S. PATENT DOCUMENTS

D474,563 S \* 5/2003 Bresciani ..... D25/109  
 6,764,144 B2 7/2004 Insalaco  
 D495,912 S 9/2004 Schmidt  
 D497,921 S 11/2004 Schmidt  
 6,811,043 B2 11/2004 Perkins  
 D500,059 S 12/2004 Schmidt  
 D502,556 S 3/2005 Zimmerle  
 D503,839 S 4/2005 Schmidt  
 D503,840 S \* 4/2005 Schmidt ..... D34/27  
 D505,237 S 5/2005 Schmidt  
 D507,390 S 7/2005 Schmidt  
 D507,914 S 8/2005 Schmidt  
 D508,503 S 8/2005 Schmidt  
 D508,504 S 8/2005 Schmidt  
 D508,627 S 8/2005 Schmidt  
 6,926,160 B2 8/2005 Perkins  
 6,926,376 B2 8/2005 Arent  
 D509,582 S 9/2005 Redetzke  
 D510,831 S 10/2005 Schmidt  
 D510,832 S 10/2005 Schmidt  
 D513,809 S 1/2006 Zimmerle et al.  
 D514,854 S 2/2006 Schmidt  
 D515,342 S 2/2006 Schmidt  
 D518,984 S 4/2006 Schmidt  
 D520,784 S 5/2006 Schmidt  
 D521,285 S 5/2006 Schmidt  
 7,055,703 B2 6/2006 Perkins  
 D524,679 S 7/2006 Gibbons  
 D526,781 S 8/2006 Feldmann  
 D527,212 S \* 8/2006 Schmidt ..... D6/703.3  
 D528,337 S 9/2006 Schmidt  
 7,140,701 B2 11/2006 Arent  
 7,147,115 B2 12/2006 Perkins  
 7,147,290 B2 12/2006 Arent  
 7,150,591 B1 12/2006 Kent  
 7,216,914 B2 5/2007 Lovell  
 D543,741 S 6/2007 Gaska  
 D544,259 S 6/2007 Schmidt  
 7,228,977 B2 6/2007 Perkins  
 D546,093 S \* 7/2007 Boerner ..... D6/671.1  
 D546,597 S 7/2007 Schmidt  
 D546,598 S 7/2007 Schmidt  
 D547,577 S 7/2007 Gaska  
 D547,636 S 7/2007 Bartrom  
 D548,066 S 8/2007 Welch  
 D548,502 S 8/2007 Gaska  
 D548,508 S 8/2007 Tonelli  
 D549,499 S 8/2007 Gaska  
 D549,500 S 8/2007 Gaska  
 D549,501 S 8/2007 Gaska  
 D550,004 S 9/2007 Gaska  
 D550,012 S 9/2007 Schmidt  
 D551,883 S 10/2007 Gaska  
 7,296,695 B2 11/2007 Perkins  
 D561,080 S 2/2008 Soshkin  
 D561,506 S 2/2008 Gaska  
 D563,137 S 3/2008 Schmidt  
 D563,699 S 3/2008 Schmidt  
 D568,078 S \* 5/2008 Kohagen ..... D6/705.5  
 D579,697 S 11/2008 Schmidt  
 D586,595 S 2/2009 Gaska  
 D587,503 S 3/2009 Schmidt  
 D593,321 S 6/2009 Went  
 D595,870 S 7/2009 Moller, Jr. et al.  
 D595,983 S 7/2009 Schmidt  
 D597,019 S 7/2009 Zarza  
 D599,419 S 9/2009 Chiuchiarelli  
 7,591,385 B2 9/2009 Brooks  
 D603,161 S 11/2009 Harris  
 D605,446 S 12/2009 Schmidt  
 D611,252 S 3/2010 Fiscus  
 7,686,353 B2 3/2010 Lewis  
 D614,428 S 4/2010 Bauchet  
 D614,898 S 5/2010 Schmidt  
 D618,019 S 6/2010 Gaska

D618,020 S 6/2010 Gaska  
 D621,193 S 8/2010 Bauchet  
 D623,316 S 9/2010 Moore  
 D623,881 S 9/2010 Schmidt  
 7,866,490 B1 1/2011 Bellis  
 D632,518 S 2/2011 Schmidt  
 D635,378 S \* 4/2011 Schmidt ..... D6/703.3  
 D637,849 S 5/2011 Schmidt  
 D651,022 S 12/2011 Koehn  
 D654,293 S 2/2012 Gaska  
 D654,736 S 2/2012 Gaska  
 D658,782 S 5/2012 Norris  
 D664,379 S 7/2012 Schmidt  
 D665,201 S 8/2012 Gaska  
 D665,202 S 8/2012 Gaska  
 D665,605 S 8/2012 Gaska  
 D665,606 S 8/2012 Gaska  
 D666,034 S 8/2012 Gaska  
 D668,078 S 10/2012 Daino  
 D670,510 S 11/2012 Daino  
 D677,080 S 3/2013 Schmidt  
 D677,081 S 3/2013 Schmidt  
 D692,243 S 10/2013 Weaver et al.  
 D696,160 S 12/2013 Kittoe  
 D703,982 S \* 5/2014 Schmidt ..... D6/703.3  
 D715,578 S 10/2014 Swandal et al.  
 D734,070 S 7/2015 Zhao  
 D734,071 S 7/2015 Zhao  
 D737,603 S \* 9/2015 Shah ..... D6/671.1  
 2004/0074856 A1 4/2004 Gros  
 2005/0145707 A1 7/2005 Leni

FOREIGN PATENT DOCUMENTS

CA	105998	3/2007
CA	112522	3/2007
CA	133276	7/2010
CA	136910	6/2011
CA	137677	10/2011

OTHER PUBLICATIONS

Garage Fabricators, "Wall Cabinet", downloaded from www.garagefabricators.com on Jul. 17, 2013, 2 pages.  
 Hayneedle, "Excel 10 Drawer Roller Tool Combo", downloaded on Jul. 16, 2013, 2 pages.  
 Remline, "Remline 41 inch 21 drawer Tread Plate Chest/Cabinet Combo", downloaded from www.homedepot.com on Jul. 12, 2013, 2 pages.  
 Remline, "Remline 17950/93905-DS 10-Drawer XQL Roller Cabinet and 5-Drawer XQL Roller Cabinet with Ball Bearing Slides", downloaded from www.sears.com on Jul. 12, 2013, 1 page.  
 Remline, "Remline Locker with 2 Adjustable Shelves", downloaded from www.walmart.com on Jul. 12, 2013, 1 page.  
 Remline, "Catalog: Remline Tool Storage—The Professional's Choice", downloaded Jul. 12, 2013, 5 pages.  
 Remline, "Remline Professional 5-Drawer 26" Tread Plate Roller Cabinet", downloaded from www.walmart.com on Jul. 12, 2013, 1 page.  
 Remline, "Remline Tread", downloaded from www.walmart.com on Jul. 12, 2013, 2 pages.  
 Tools in Stock, "Topchest 5 Drawer with Ball Bearing Runners Tread Plate", downloaded from www.toolsinstock.com on Jul. 17, 2013, 3 pages.  
 Universal Pit Products, "8 Foot Base Cabinet/Desk", 2012, downloaded from www.pitproducts.com on Jul. 12, 2013, 2 pages.  
 Whirlpool Corporation, Brochure: Gladiator Storage & Organization—Fully Welded Construction, 2009, 6 pages.  
 Whirlpool Corporation, Brochure: Gladiator Garageworks—How to Get Started Transforming Your Garage, 2007, 29 pages.  
 Whirlpool Corporation, Gladiator Medium Garage 25 Piece Package, downloaded on Jul. 12, 2013, 2 pages.  
 Whirlpool Corporation, Gladiator Small Garage 4 Piece Package, downloaded on Jul. 12, 2013, 1 page.

(56)

**References Cited**

OTHER PUBLICATIONS

Whirlpool Corporation, Gladiatoré Small Garage 5 Piece Package,  
downloaded on Jul. 12, 2013, 1 page.

\* cited by examiner

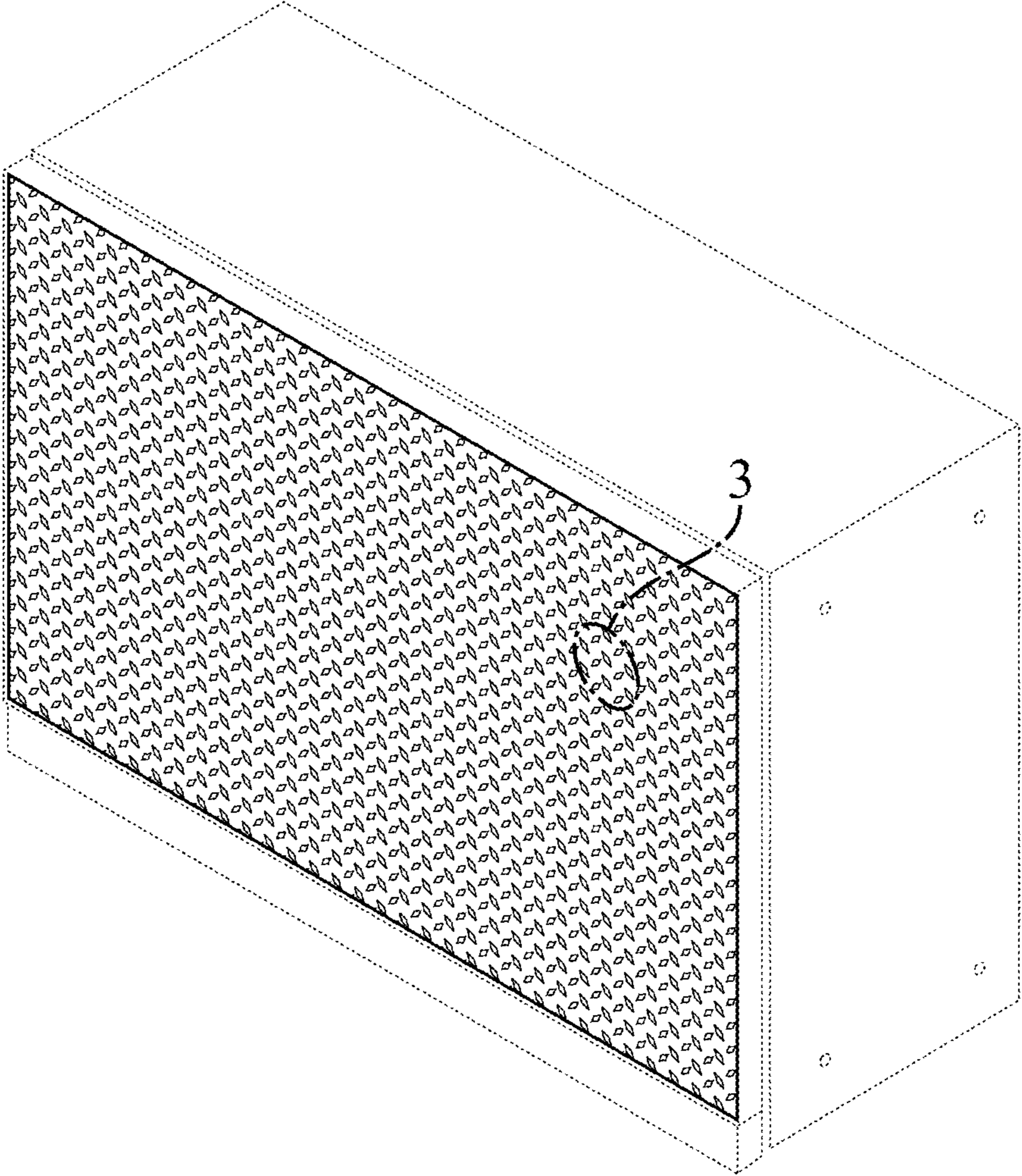


FIG. 1

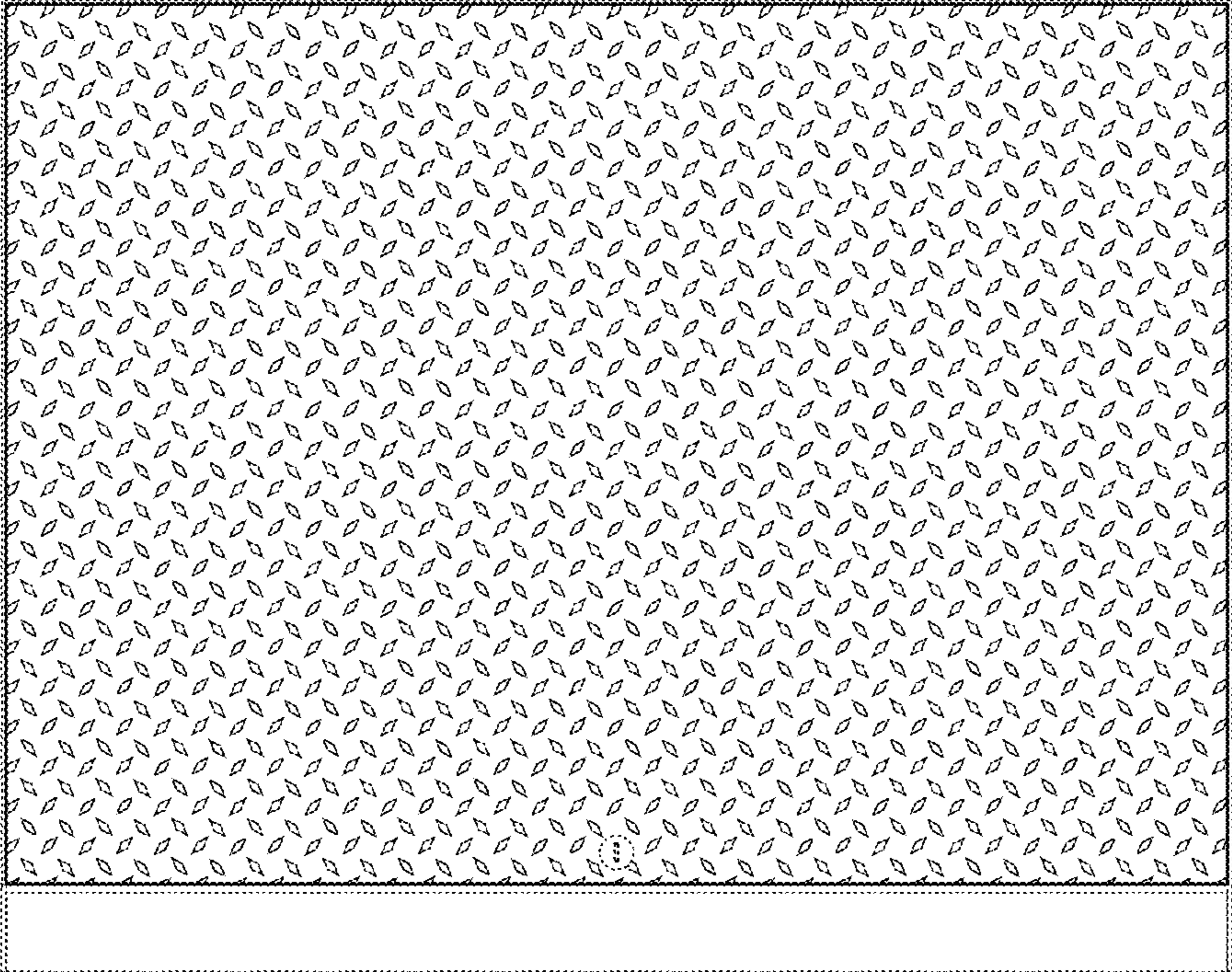


FIG. 2

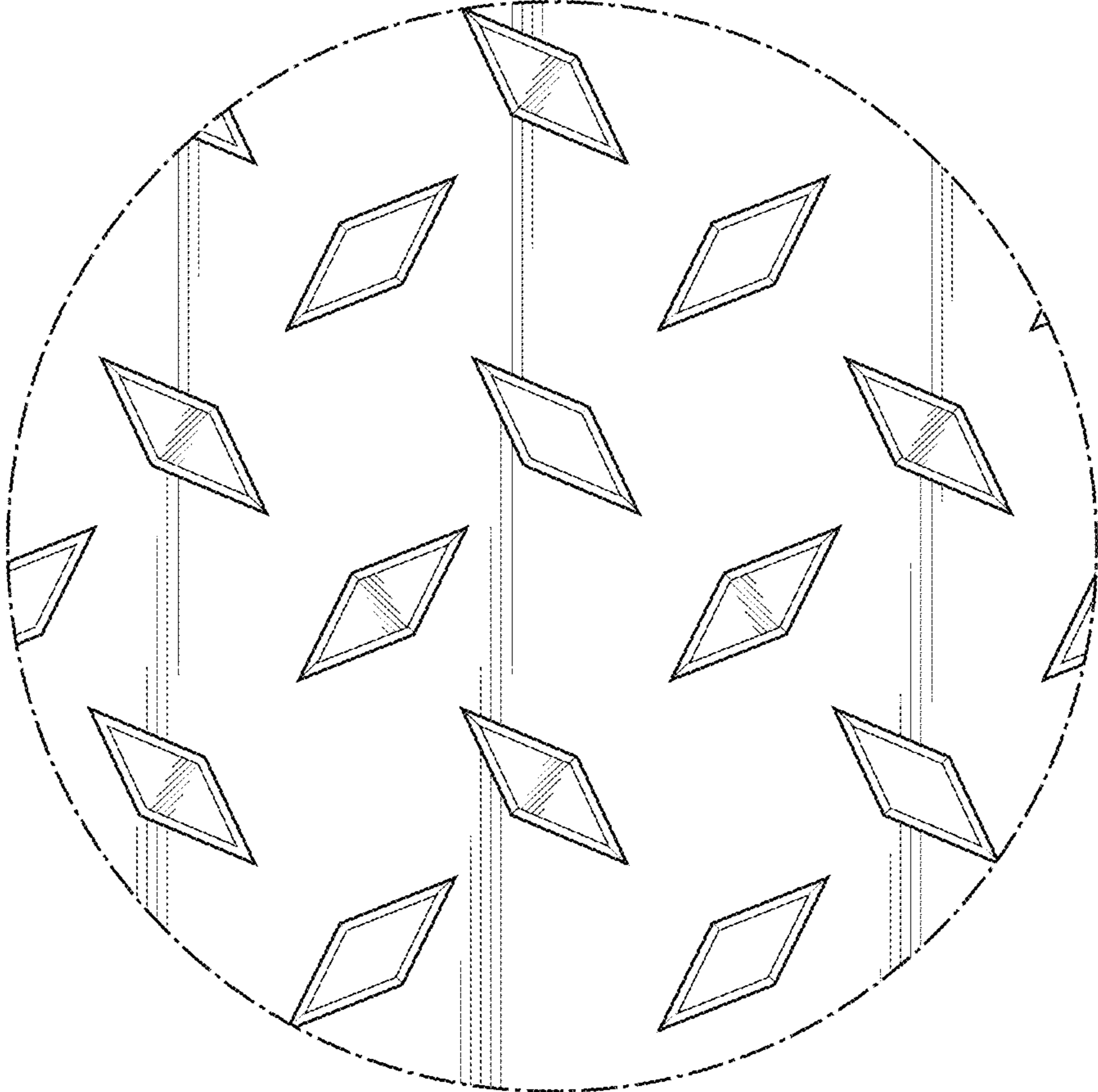


FIG. 3