



US00D796237S

(12) **United States Design Patent** (10) **Patent No.:** **US D796,237 S**
Audi (45) **Date of Patent:** **** Sep. 5, 2017**

(54) **CURVED SOFA TABLE WITH TWO-LEVEL TOP**

(71) Applicant: **Edward J. Audi**, Fayetteville, NY (US)

(72) Inventor: **Edward J. Audi**, Fayetteville, NY (US)

(73) Assignee: **L. & J.G. Stickley, Inc.**, Manlius, NY (US)

(**) Term: **15 Years**

(21) Appl. No.: **29/562,629**

(22) Filed: **Apr. 27, 2016**

(51) **LOC (10) Cl.** **06-03**

(52) **U.S. Cl.**
USPC **D6/697**

(58) **Field of Classification Search**
USPC D6/641, 671, 675, 677, 685, 687, 690,
D6/691, 691.1, 691.2, 691.3, 691.4,
D6/691.5, 691.9, 693, 695, 695.2, 696,
D6/696.1, 697, 697.1, 698, 699, 699.2,
D6/703, 707, 708, 709, 709.2, 709.21
CPC A47B 7/00; A47B 13/08; A47B 13/10;
A47B 21/00; A47B 2009/006; A47B
11/00

See application file for complete search history.

(56) **References Cited**

U.S. PATENT DOCUMENTS

D62,604 S * 7/1923 De Shields D6/349
D120,018 S * 4/1940 Remler D6/699
D139,893 S * 1/1945 Roberts 312/140.1

D201,971 S * 8/1965 Mohon D6/650
D203,602 S * 2/1966 Duman D6/650
D210,131 S * 2/1968 Rourke D6/707.15
D266,296 S * 9/1982 Bergquist D6/689
D276,109 S * 10/1984 Gordon D6/338
D276,764 S * 12/1984 Shipman D6/337
D366,373 S * 1/1996 Reese D6/650
D383,017 S * 9/1997 Kelly D6/696.3
D422,429 S * 4/2000 Belka D6/648.2
D579,059 S * 10/2008 Chan D21/335
D584,546 S * 1/2009 Chu D6/707

* cited by examiner

Primary Examiner — Mary Ann Calabrese

Assistant Examiner — Sloan Rozin

(74) *Attorney, Agent, or Firm* — Bernhard P. Molldrem, Jr.

(57) **CLAIM**

The ornamental design for a curved sofa table with two-level top, as shown and described.

DESCRIPTION

FIG. 1 is a front perspective view of a sofa table showing my design.

FIG. 2 is a front elevational view thereof.

FIG. 3 is a top plan view thereof.

FIG. 4 is a left side elevational view thereof.

FIG. 5 is a rear elevational view thereof.

FIG. 6 is rear elevational view thereof; and,

FIG. 7 is a bottom view thereof.

Elements shown in broken line do not form part of the claimed design.

1 Claim, 6 Drawing Sheets

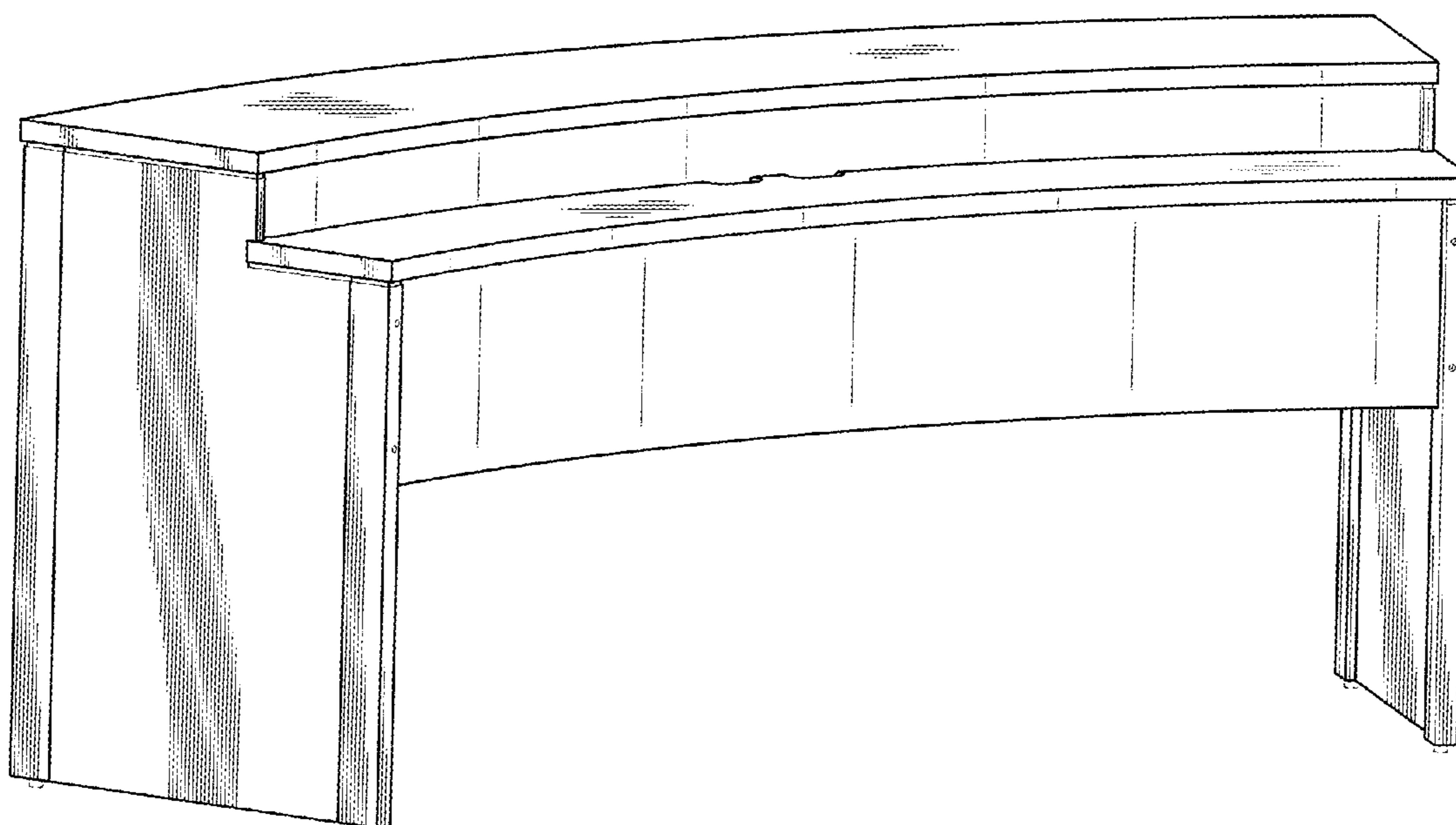




FIG. 1

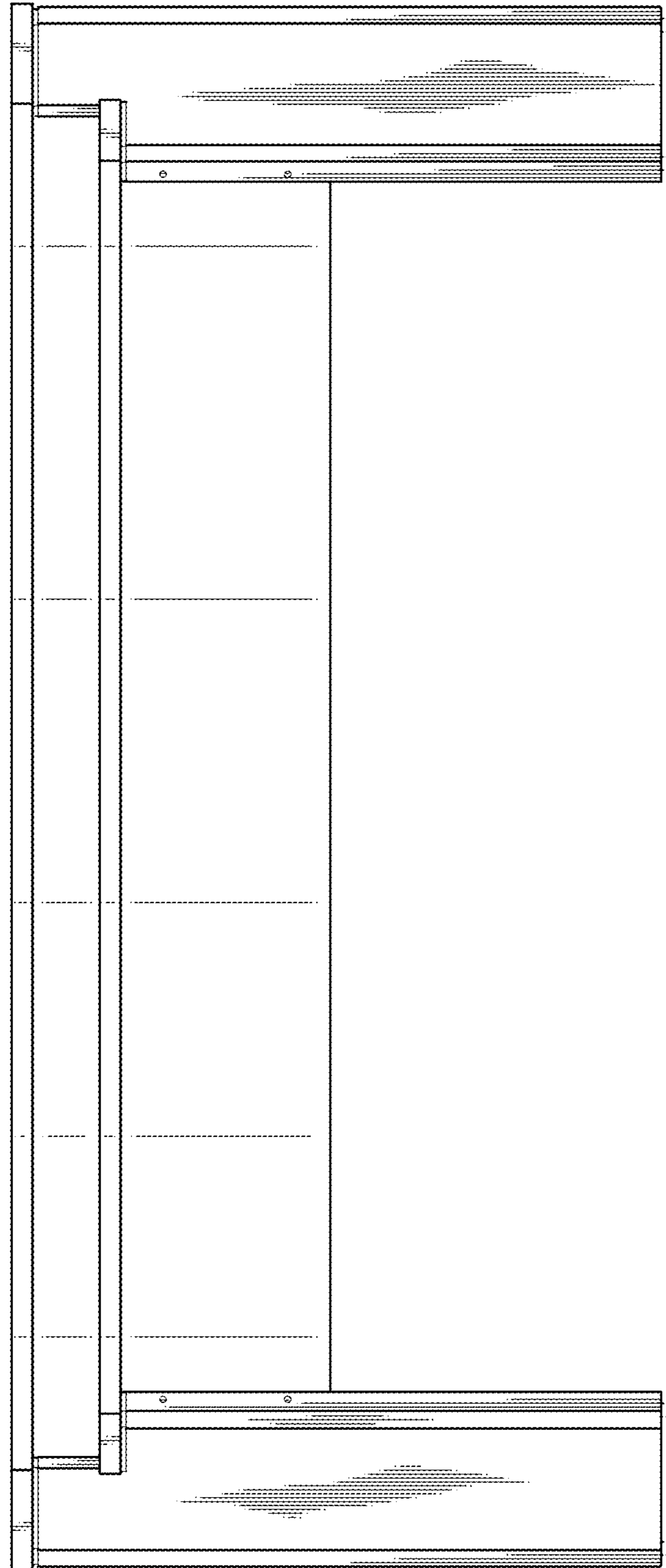


FIG. 2

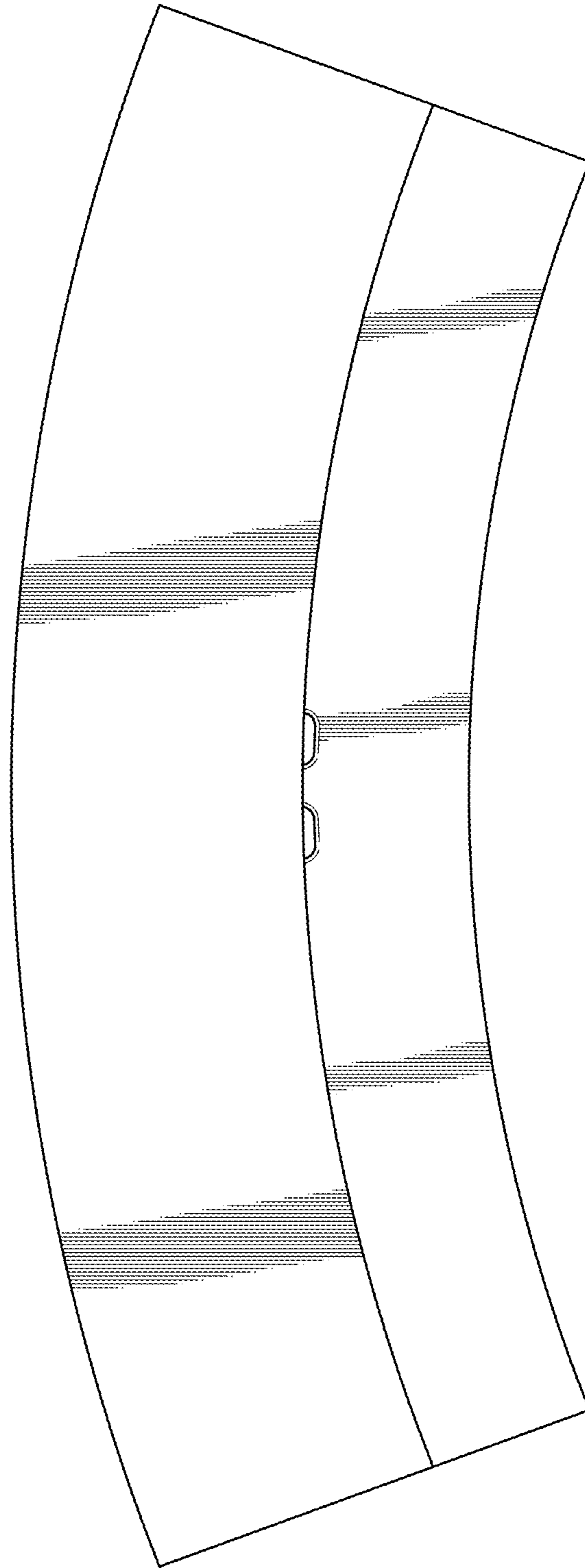


FIG. 3

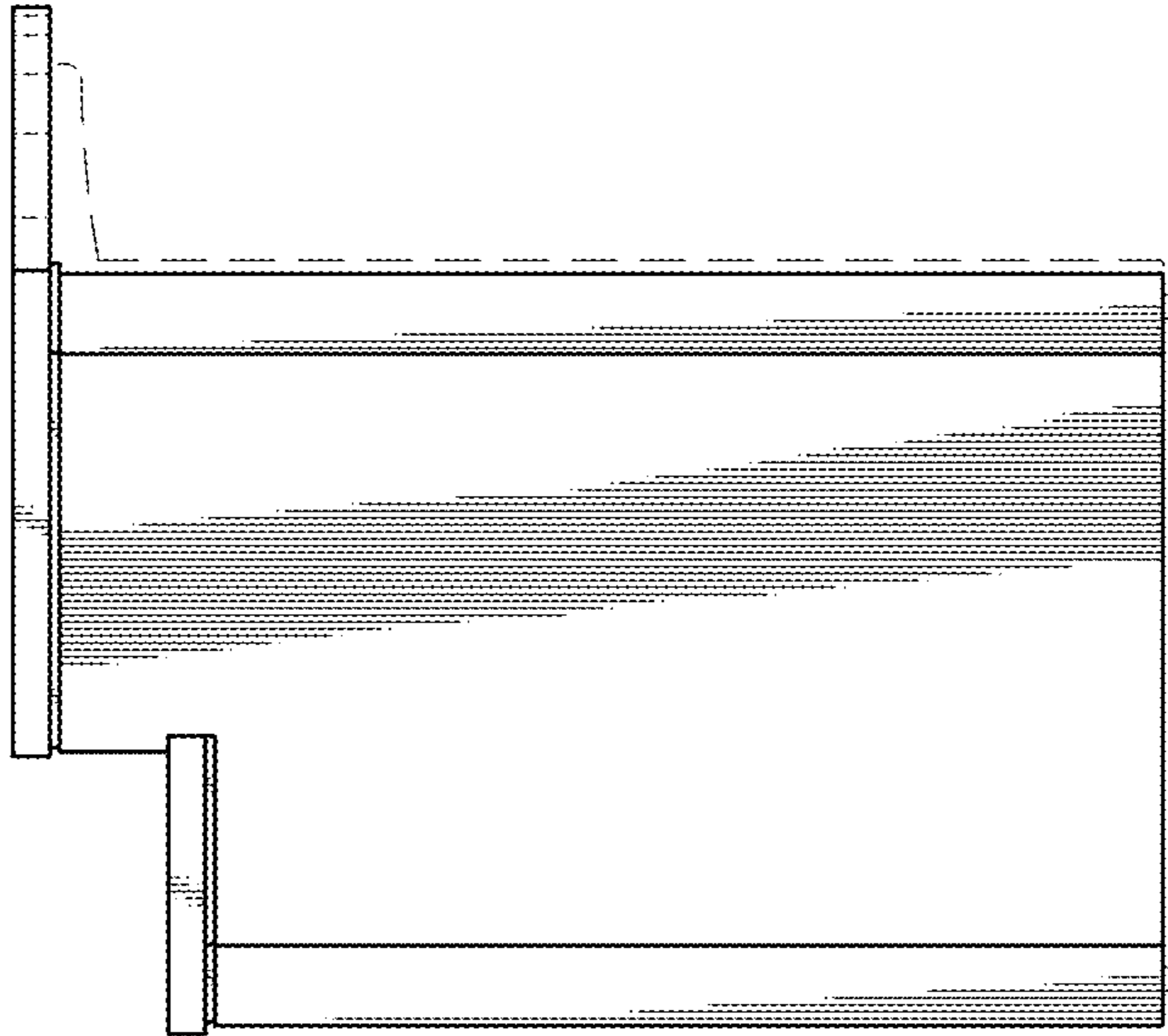


FIG. 5

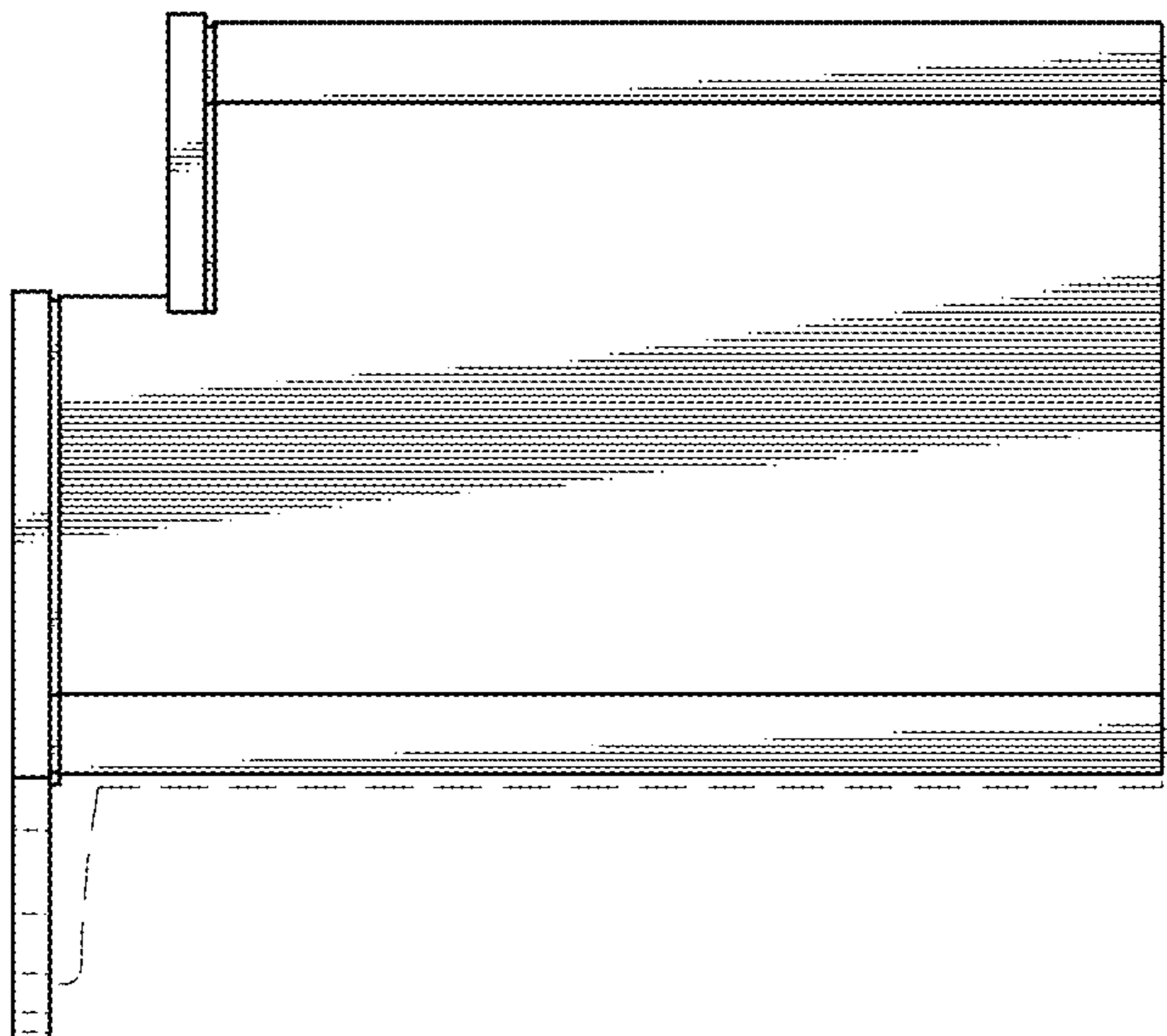


FIG. 4

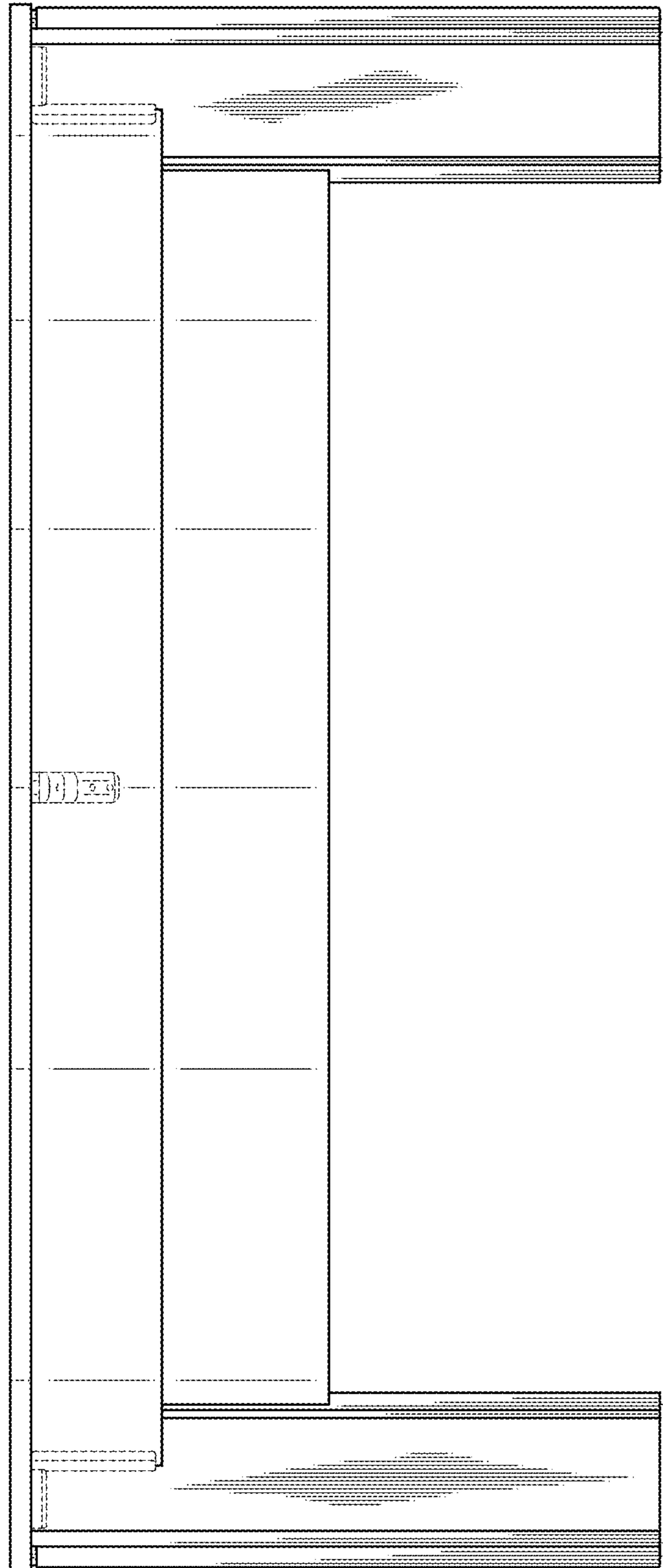


FIG. 6

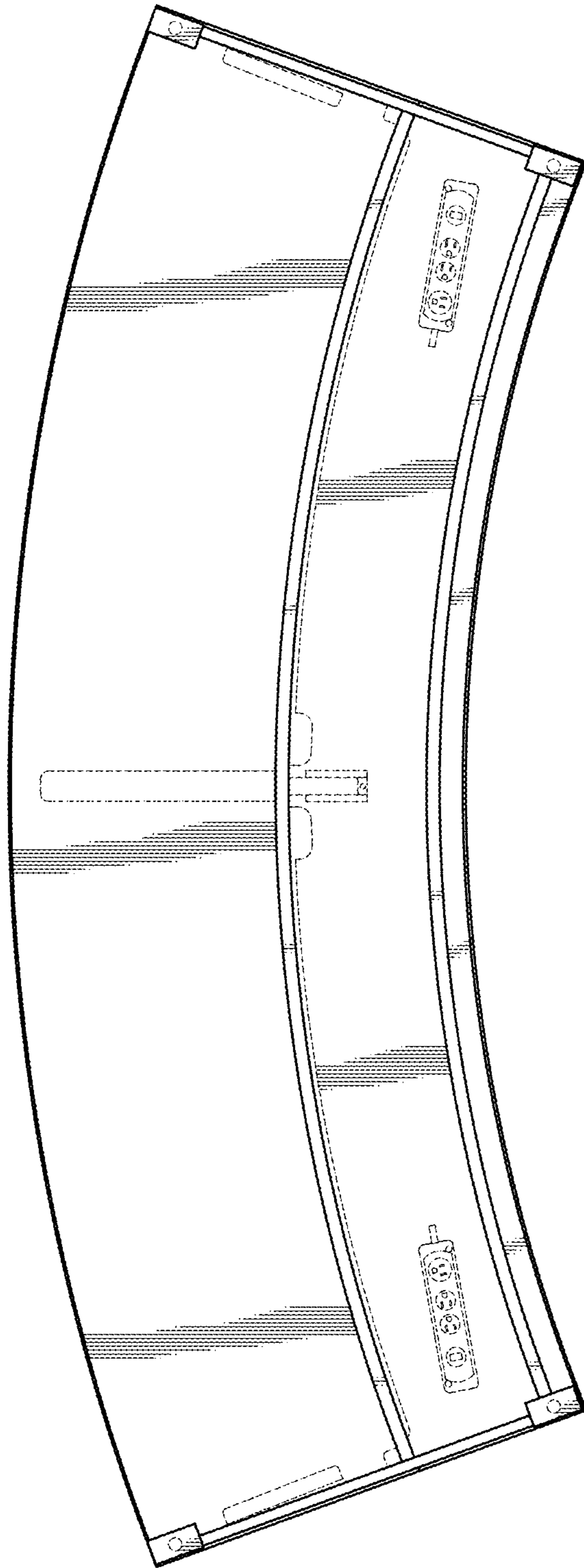


FIG. 7