



US00D796236S

(12) **United States Design Patent** (10) **Patent No.:** **US D796,236 S**
Menayan (45) **Date of Patent:** **** Sep. 5, 2017**

(54) **TABLE LEG**
(71) Applicant: **Steelcase Inc.**, Grand Rapids, MI (US)
(72) Inventor: **Jesse M. Menayan**, Sausalito, CA (US)
(73) Assignee: **Steelcase Inc.**, Grand Rapids, MI (US)
(**) Term: **15 Years**
(21) Appl. No.: **29/528,224**
(22) Filed: **May 27, 2015**
(51) **LOC (10) Cl.** **06-03**
(52) **U.S. Cl.**
USPC **D6/691.6**
(58) **Field of Classification Search**
USPC D6/480, 481, 482, 483, 484, 485, 486,
D6/487, 488, 489, 495, 496, 497, 498,
D6/499, 685, 686, 687, 688, 688.1,
D6/688.15, 688.16, 688.24, 689-691,
D6/691.4, 691.6, 691.7, 692, 692.2,
D6/692.4, 692.5, 693, 693.1, 693.2,
D6/694.1, 695, 695.2, 695.4, 695.5,
D6/695.8, 696, 696.1, 696.3, 696.4,
D6/696.7, 697, 697.1, 697.2, 698, 708,
D6/708.16, 708.17, 708.23, 709.2, 709.22
See application file for complete search history.

(56) **References Cited**
U.S. PATENT DOCUMENTS
1,806,169 A * 5/1931 Kohler, Jr. E03C 1/328
108/156
1,858,381 A * 5/1932 Vance A47B 91/00
248/188.8
2,047,346 A * 7/1936 Weston A47B 91/00
248/188.8
D134,388 S * 11/1942 Waltman D6/692
D155,369 S * 9/1949 Wallace 138/DIG. 11
2,710,781 A 6/1955 Haynes, Sr.

2,738,246 A * 3/1956 Hogan, Jr. A47B 13/021
248/188.8
D186,896 S * 12/1959 Monroe D6/709
D186,984 S * 1/1960 Cohen D6/709.2
D189,825 S * 2/1961 Jakobsen D19/184
D248,350 S * 7/1978 Blodee D6/709.21
D293,987 S * 2/1988 Raftery D34/27
D303,742 S 10/1989 Reid
D303,886 S 10/1989 Reid
D303,887 S 10/1989 Reid
D314,681 S 2/1991 Reid
5,203,528 A 4/1993 Oke
D358,050 S * 5/1995 Koning D6/709.21
5,438,937 A 8/1995 Ball et al.
5,715,761 A 2/1998 Frattini
(Continued)

FOREIGN PATENT DOCUMENTS

DE 9416757.5 1/1995
JP 2011092441 5/2011

Primary Examiner — Garth Rademaker
Assistant Examiner — Christopher J Matthews
(74) *Attorney, Agent, or Firm* — Price Heneveld LLP

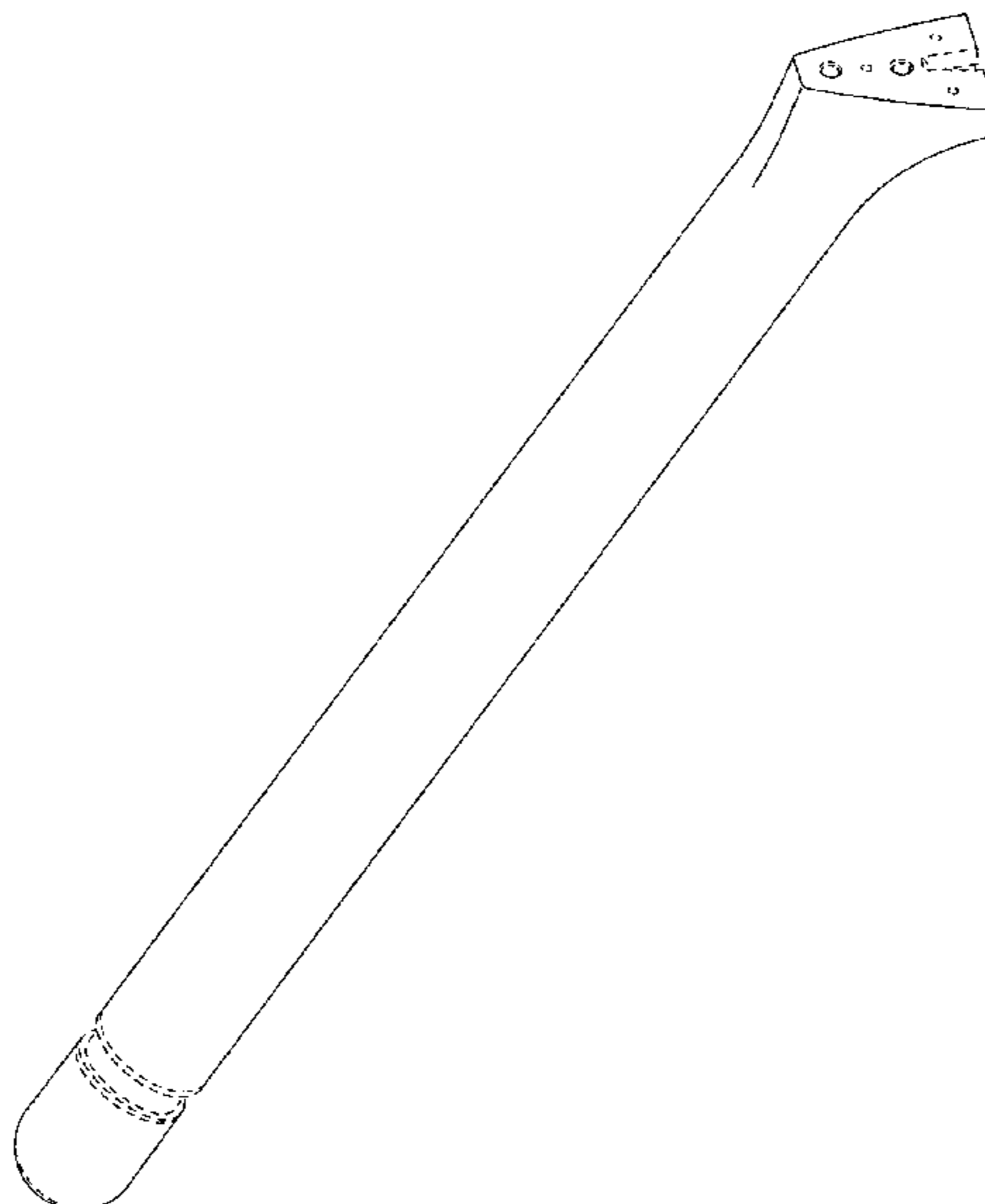
(57) **CLAIM**

I claim the ornamental design for a table leg, as shown and described.

DESCRIPTION

FIG. 1 is a front perspective view of a table leg embodying the present invention;
FIG. 2 is a front elevational view of the table leg;
FIG. 3 is a first side elevational view of the table leg;
FIG. 4 is a rear perspective view of the table leg;
FIG. 5 is a second side elevational view of the table leg;
FIG. 6 is a top plan view of the table leg; and,
FIG. 7 is a bottom plan view of the table leg.
The broken lines show portions of the article that form no part of the claim.

1 Claim, 4 Drawing Sheets



(56)

References Cited

U.S. PATENT DOCUMENTS

5,934,203	A	8/1999	Glass	
D418,699	S	1/2000	Burns et al.	
D423,832	S	5/2000	Kane et al.	
D456,183	S *	4/2002	Brown	D6/709
6,415,723	B1	7/2002	Kopish et al.	
D467,453	S	12/2002	Kwon	
6,523,795	B2	2/2003	Gutgsell et al.	
D476,179	S	6/2003	Lenger	
D476,512	S	7/2003	Glass	
D476,597	S *	7/2003	West	D11/181
D478,437	S	8/2003	Wang	
D499,585	S	12/2004	Williams et al.	
D517,843	S *	3/2006	Barefoot	D6/709.21
D519,305	S	4/2006	Pesso	
D520,271	S *	5/2006	Yim Chi Ming	D6/709.2
D553,396	S	10/2007	Vargo	
D575,968	S *	9/2008	Saffell	D6/709.21
D580,687	S	11/2008	Saffell et al.	
D600,476	S	9/2009	Stoller	
D652,289	S *	1/2012	Vu	D6/709
D652,714	S *	1/2012	Vu	D6/709
D653,532	S *	2/2012	Vu	D6/709
8,146,514	B2	4/2012	Hamilton et al.	
D665,248	S *	8/2012	Vu	D6/709
8,317,140	B1 *	11/2012	Chung	A47C 9/105 248/163.1
D673,793	S *	1/2013	McKsymick	D6/691.6
8,667,908	B2	3/2014	Martin et al.	
D719,773	S	12/2014	Korte	
D720,170	S	12/2014	Korte	
D721,245	S	1/2015	Agati et al.	
D731,120	S	6/2015	Otsuka	
2006/0096506	A1	5/2006	Brauning	

* cited by examiner

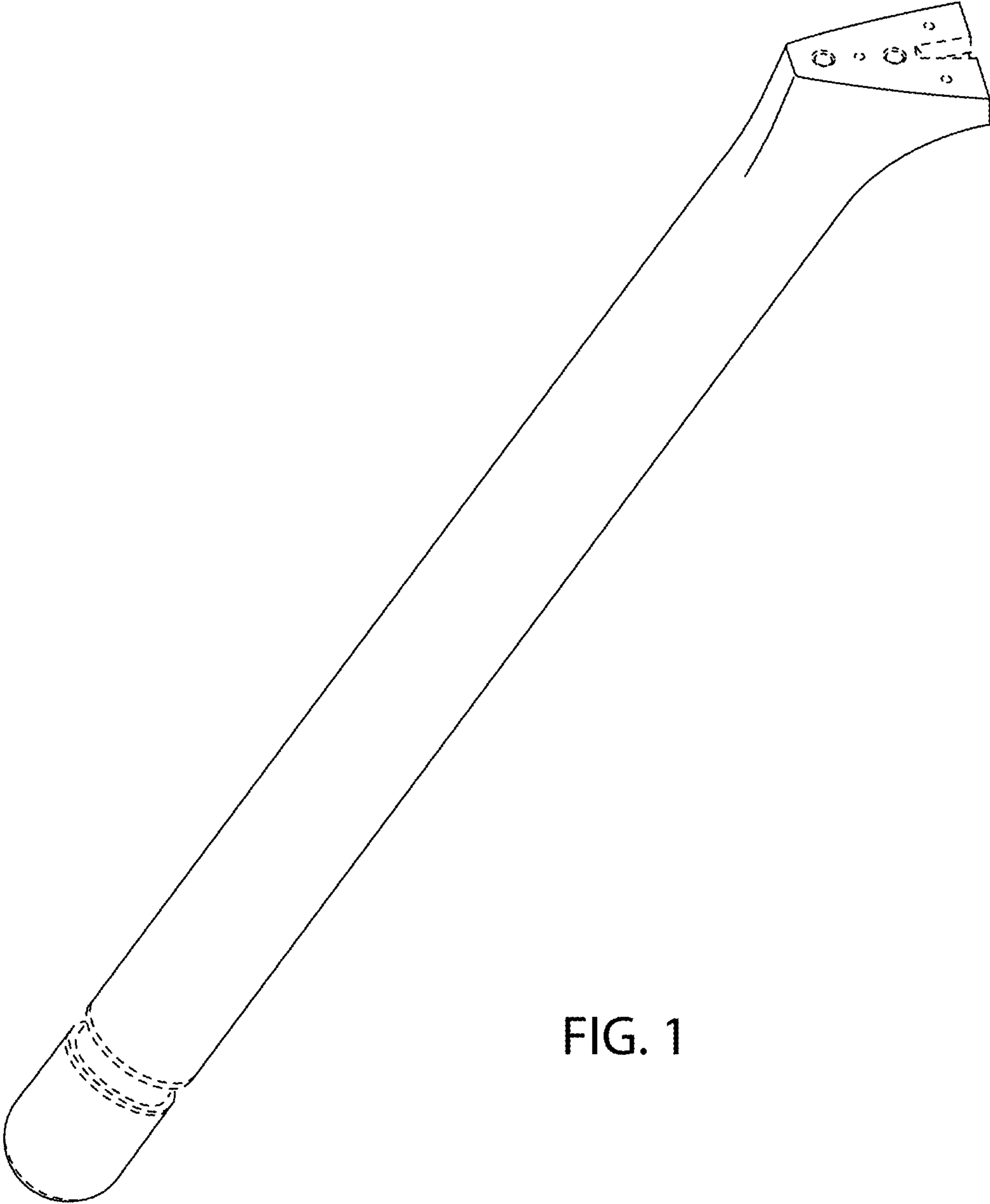


FIG. 1

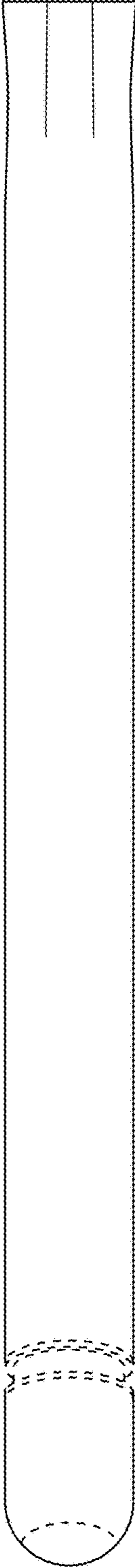


FIG. 2

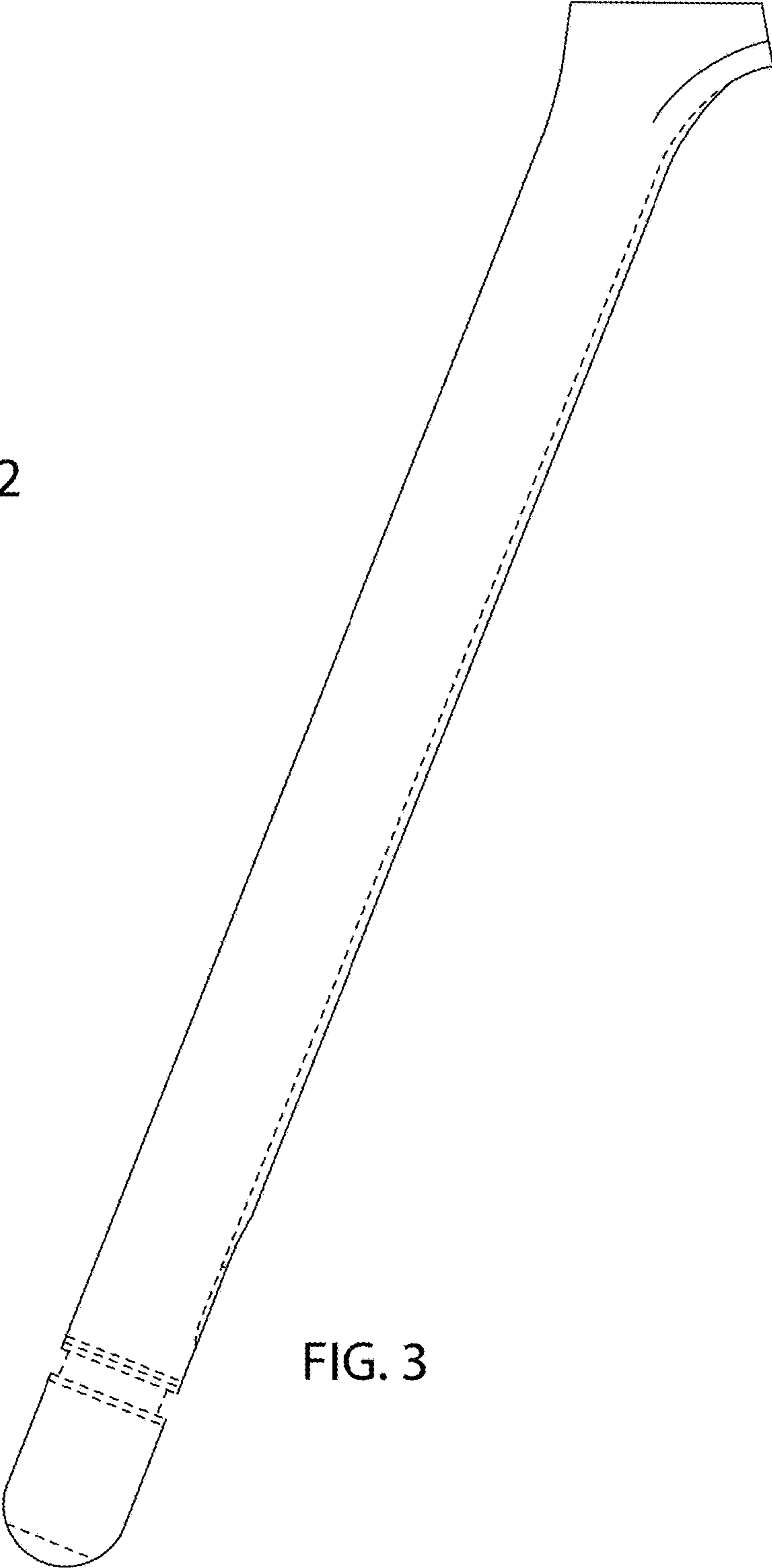


FIG. 3

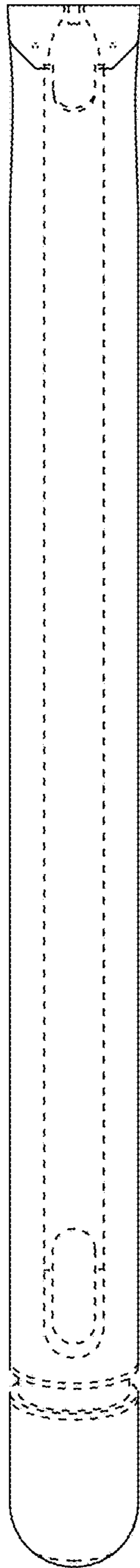


FIG. 4

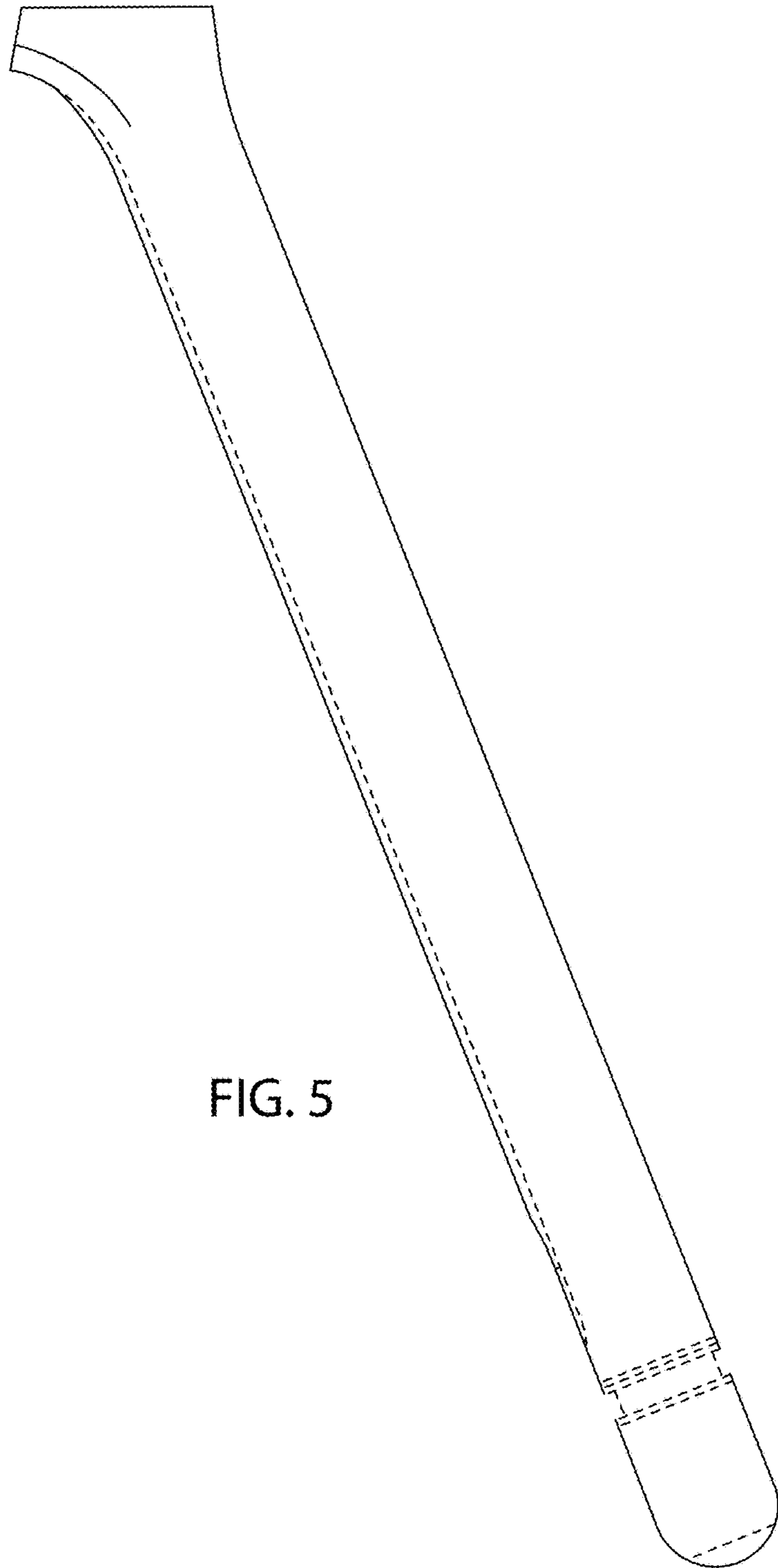


FIG. 5

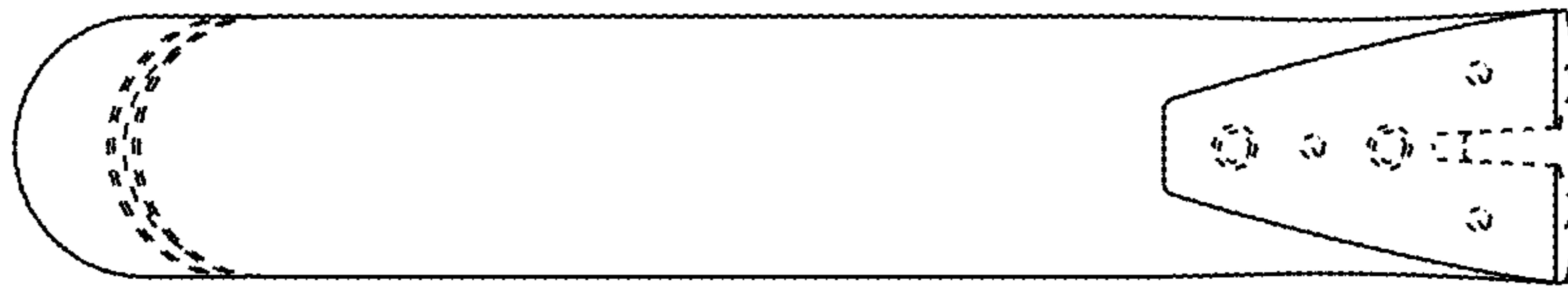


FIG. 6

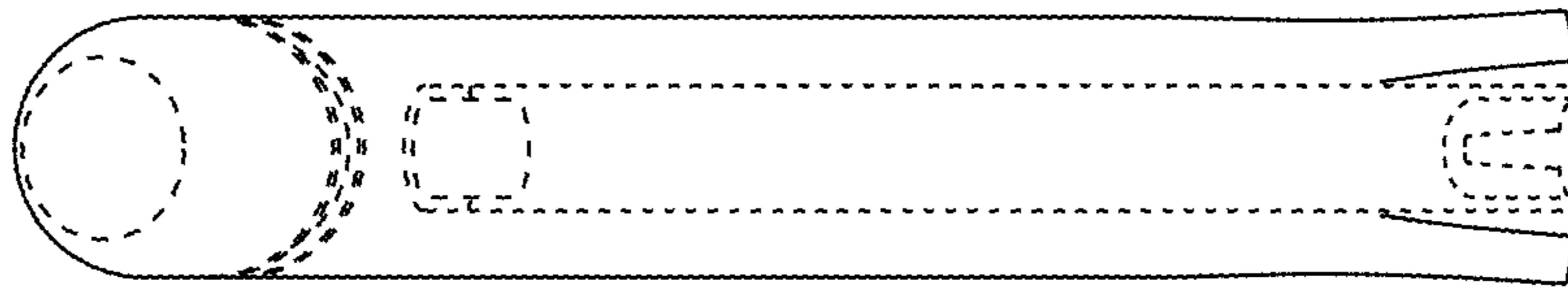


FIG. 7