



US00D796234S

(12) **United States Design Patent** (10) **Patent No.:** **US D796,234 S**
Thaler et al. (45) **Date of Patent:** **** Sep. 5, 2017**

(54) **DISPLAY STRUCTURE**
(71) Applicant: **Apple Inc.**, Cupertino, CA (US)
(72) Inventors: **Frank Craig Thaler**, Santa Cruz, CA (US); **Russell John Kaaihue Heirakuji**, Cupertino, CA (US); **Carly Lynn Marasco**, Los Gatos, CA (US)
(73) Assignee: **Apple Inc.**, Cupertino, CA (US)

5,577,817 A 11/1996 Reynolds
D398,653 S 9/1998 Hiraguchi et al.
D438,256 S 2/2001 Timmermans et al.
D477,474 S * 7/2003 Milligan D6/671.1
D553,879 S * 10/2007 Juneau D6/671
D560,929 S * 2/2008 Woodward D6/671.1
D560,930 S * 2/2008 Woodward D6/671.1
D573,593 S 7/2008 Sasaki et al.

(Continued)

(**) Term: **15 Years**
(21) Appl. No.: **29/600,909**
(22) Filed: **Apr. 17, 2017**

FOREIGN PATENT DOCUMENTS

JP D1418952 S 7/2011
WO DM/041938 10/1997
WO DM/078462 5/2012

OTHER PUBLICATIONS

Japanese Patent Office document HB24003431, reported by JPO as dated Mar. 2012, p. 88.

Primary Examiner — Kelley Donnelly
(74) *Attorney, Agent, or Firm* — Sterne, Kessler, Goldstein & Fox P.L.L.C.

Related U.S. Application Data

(63) Continuation of application No. 29/526,384, filed on May 8, 2015, now Pat. No. Des. 785,975, which is a continuation of application No. 29/507,089, filed on Oct. 23, 2014, now Pat. No. Des. 770,203.

(51) **LOC (10) Cl.** **06-06**
(52) **U.S. Cl.**
USPC **D6/675**

(58) **Field of Classification Search**
USPC D6/332, 512, 513, 657, 672-673, D6/675-675.1, 682
CPC A47F 5/0018; A47F 5/0043; A47F 2005/0075; A47F 7/00
See application file for complete search history.

(57) **CLAIM**

The ornamental design for a display structure, as shown and described.

DESCRIPTION

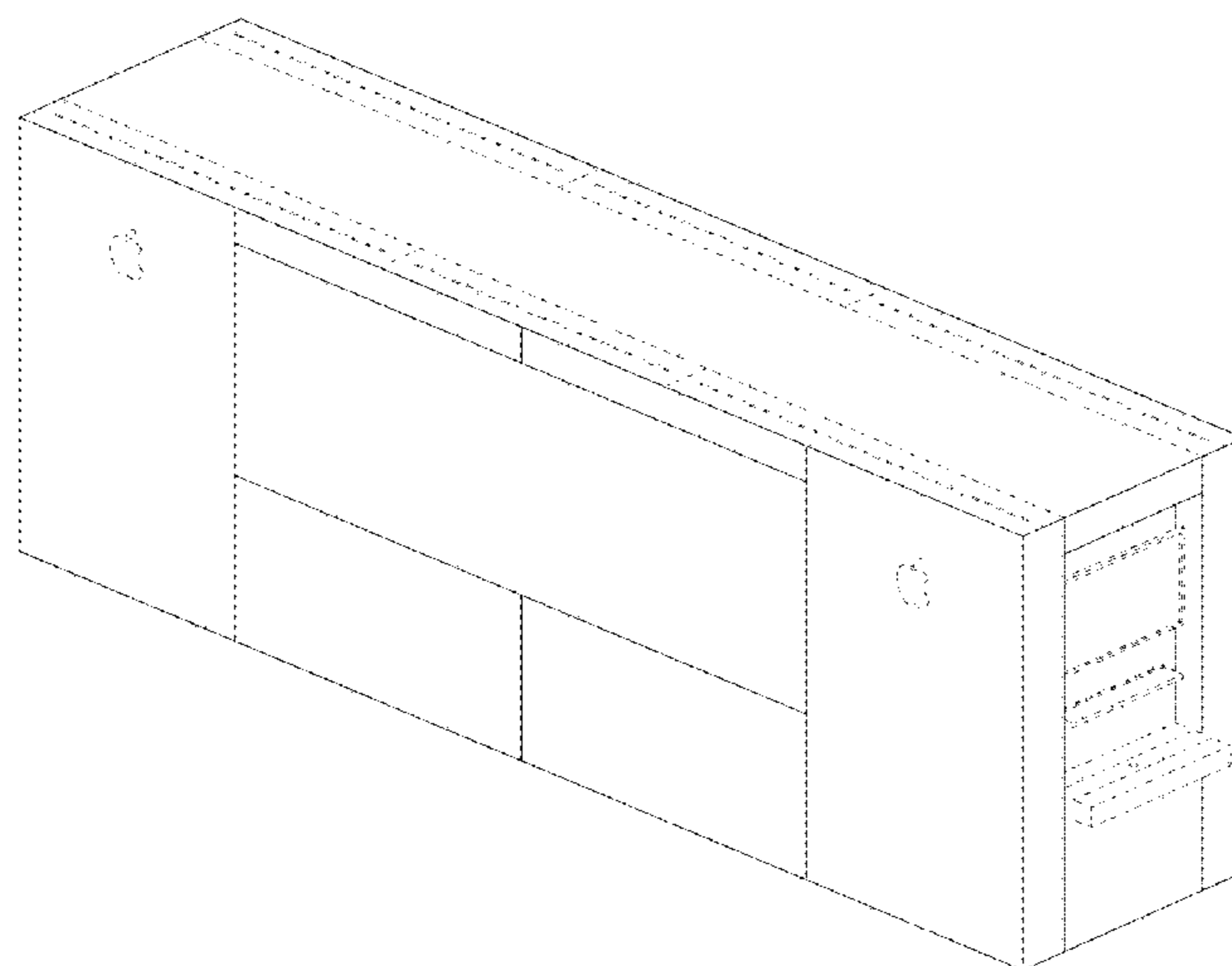
FIG. 1 is a top front perspective view of a display structure showing the claimed design;
FIG. 2 is a top rear perspective view thereof;
FIG. 3 is a right side view thereof;
FIG. 4 is a left side view thereof;
FIG. 5 is a rear view thereof;
FIG. 6 is a front view thereof;
FIG. 7 is a top view thereof; and,
FIG. 8 is a bottom view thereof.
The broken lines in the figures show portions of the display structure that form no part of the claimed design.

(56) **References Cited**

U.S. PATENT DOCUMENTS

D218,325 S 8/1970 Sherman
4,116,509 A 9/1978 Smith
D250,868 S 1/1979 Ornatek
D274,203 S 6/1984 Everett
D288,997 S 3/1987 Kraynak
D290,204 S 6/1987 Bruget
D323,944 S 2/1992 Maas
D354,638 S 1/1995 Todd et al.

1 Claim, 6 Drawing Sheets



(56)

References Cited

U.S. PATENT DOCUMENTS

D576,426 S	9/2008	Yuen-Schat et al.	D688,494 S	8/2013	Hamm et al.	
D580,926 S	11/2008	McCarty et al.	D693,156 S	11/2013	Hamm et al.	
D590,630 S	4/2009	Singler et al.	D707,991 S	7/2014	Woelfel et al.	
D591,078 S	4/2009	Singler et al.	D711,170 S	8/2014	Lawlor et al.	
D591,079 S	4/2009	Singler et al.	D713,658 S	9/2014	Tio et al.	
D591,974 S	5/2009	Singler et al.	D722,794 S	2/2015	Luong	
D592,422 S	5/2009	Rheault	D723,026 S	2/2015	Birgeoglu	
D593,775 S	6/2009	Singler et al.	D725,947 S	4/2015	Tio et al.	
D602,932 S	10/2009	Sasaki et al.	D728,283 S	5/2015	Weshler et al.	
D610,832 S	3/2010	Rheault	D729,560 S	5/2015	Hamm et al.	
D632,903 S	2/2011	Paul	D732,318 S *	6/2015	Engebretson	D6/657
D639,086 S	6/2011	Curbbun et al.	D734,965 S	7/2015	Tio et al.	
D641,987 S *	7/2011	Giroux	D741,094 S *	10/2015	Martell	D6/702
D657,978 S	4/2012	Hamm et al.	D741,628 S *	10/2015	Held	D6/675
D661,124 S	6/2012	Curbbun et al.	D747,901 S	1/2016	Kanagy et al.	
D661,922 S	6/2012	Mitri	D758,106 S	6/2016	Hamm et al.	
D671,535 S	11/2012	Terashima et al.	D770,203 S	11/2016	Thaler et al.	
D676,430 S	2/2013	Blaser	D776,463 S	1/2017	Boaz et al.	
D678,696 S	3/2013	Hamm et al.	D787,239 S *	5/2017	Denby	D6/657
D679,521 S	4/2013	Hamm et al.	D790,260 S *	6/2017	Tio	D6/675
D682,581 S	5/2013	Kikkert et al.	2005/0279033 A1	12/2005	Faber et al.	
D684,792 S	6/2013	Kikkert et al.	2007/0170823 A1	7/2007	Stannis et al.	
			2015/0036326 A1	2/2015	Maciulewicz	
			2015/0170552 A1	6/2015	Woelfel et al.	

* cited by examiner

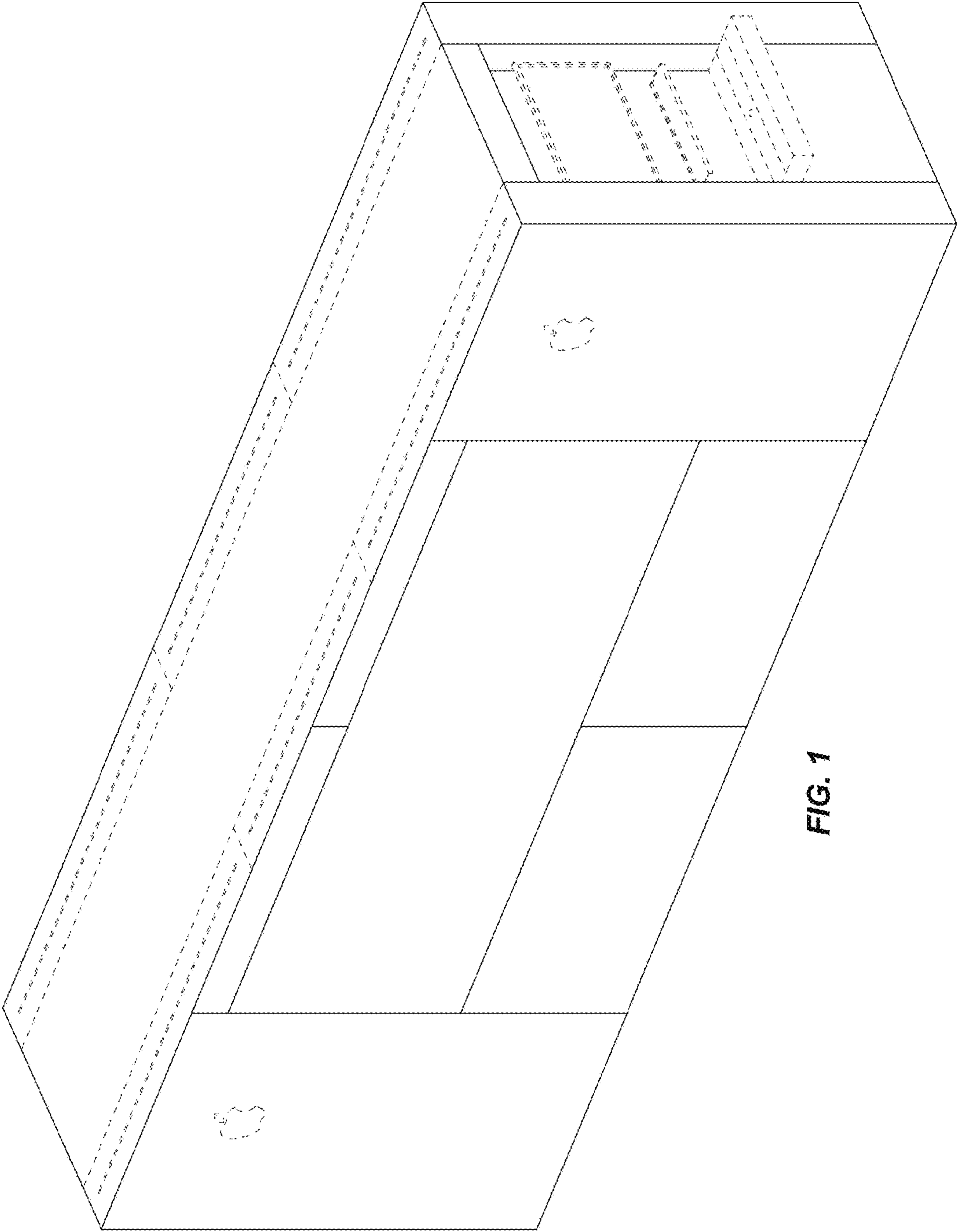
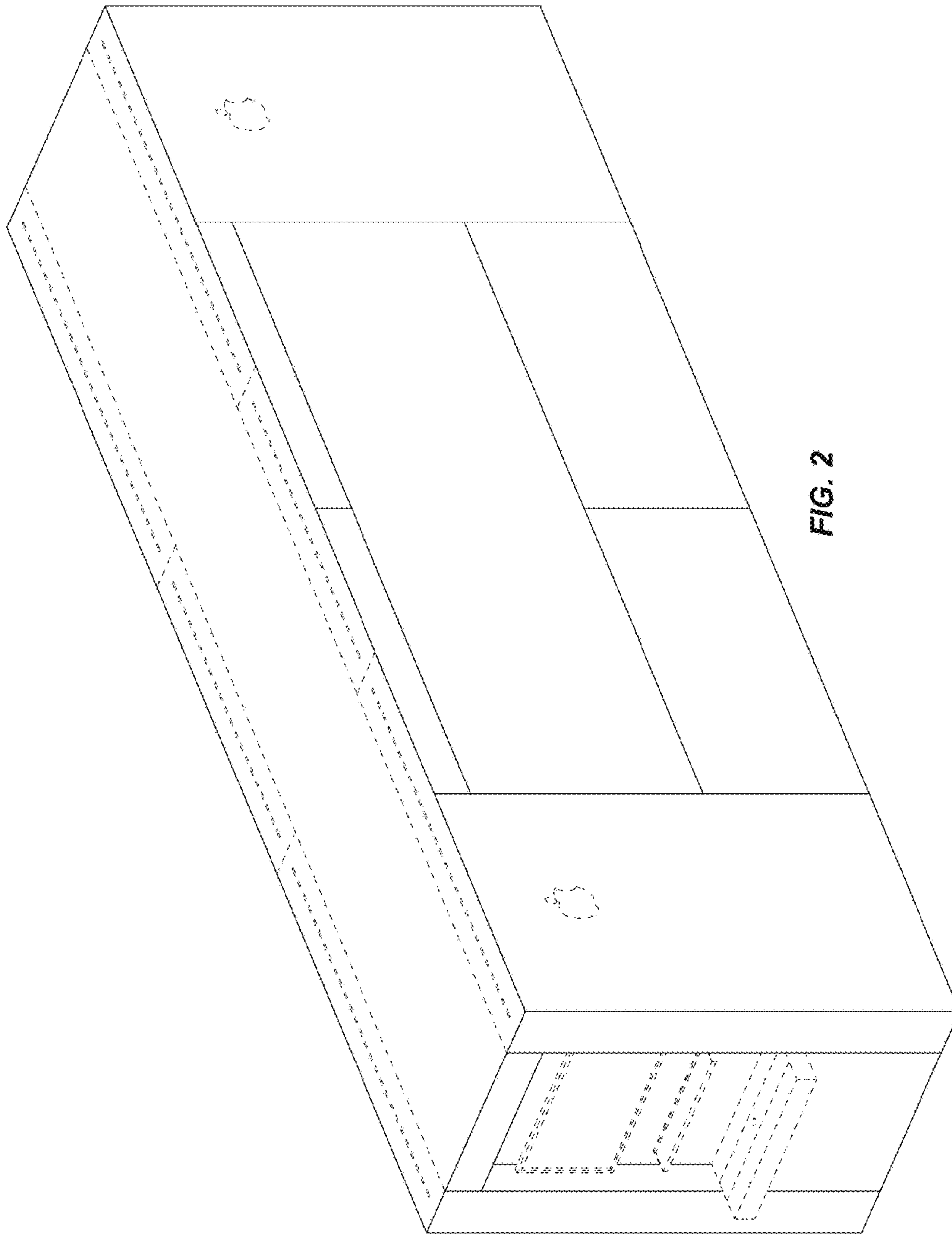


FIG. 1



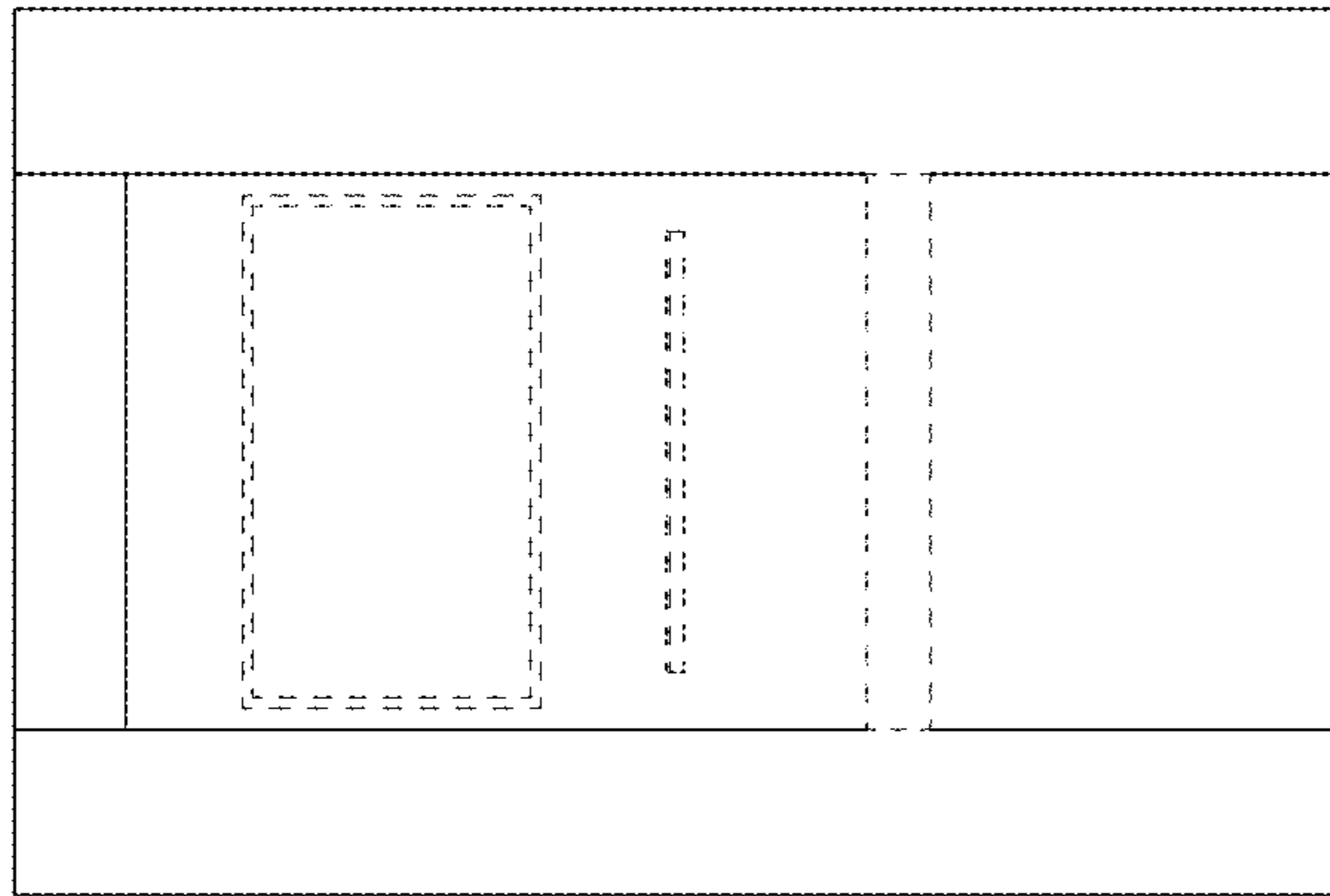


FIG. 4

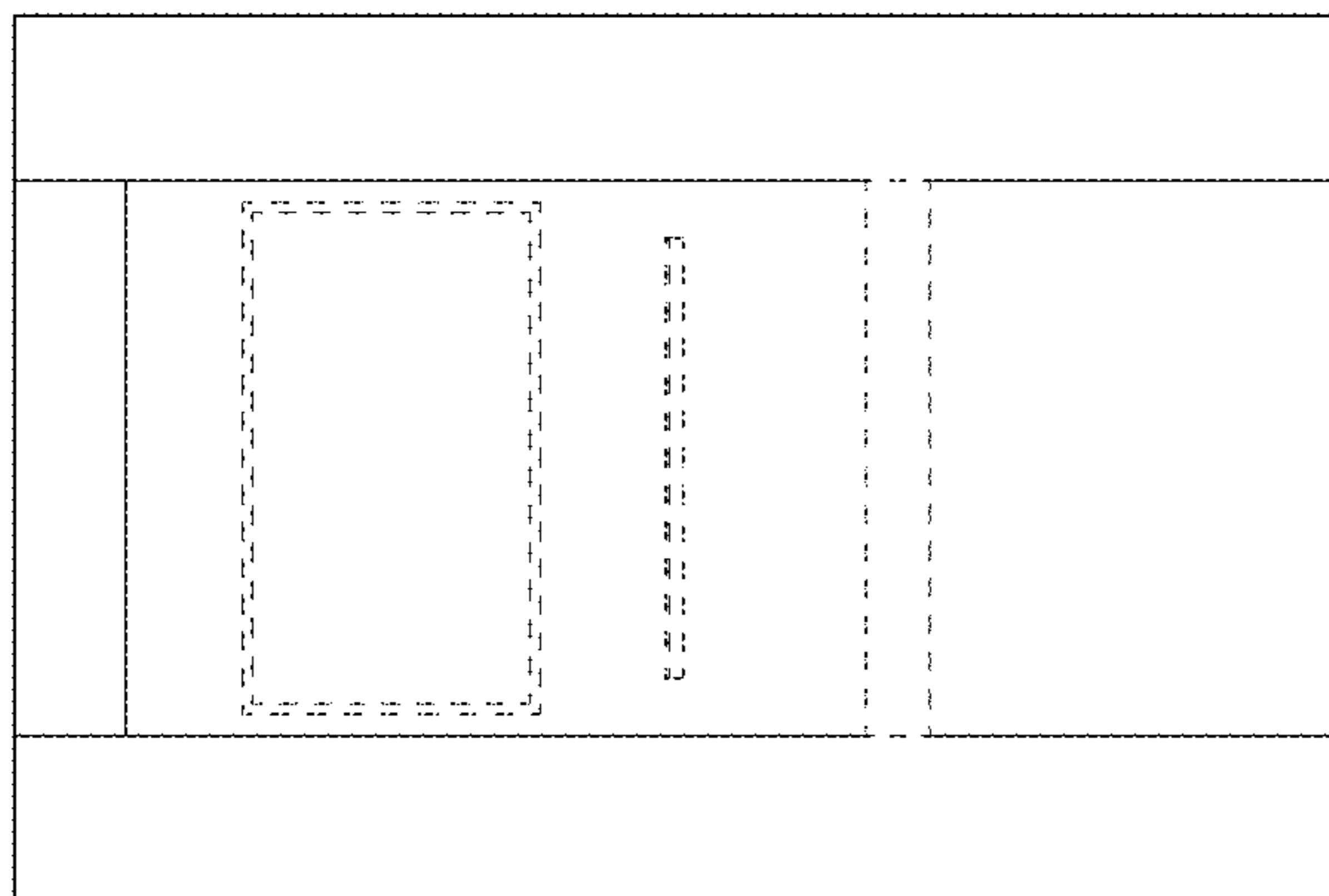


FIG. 3

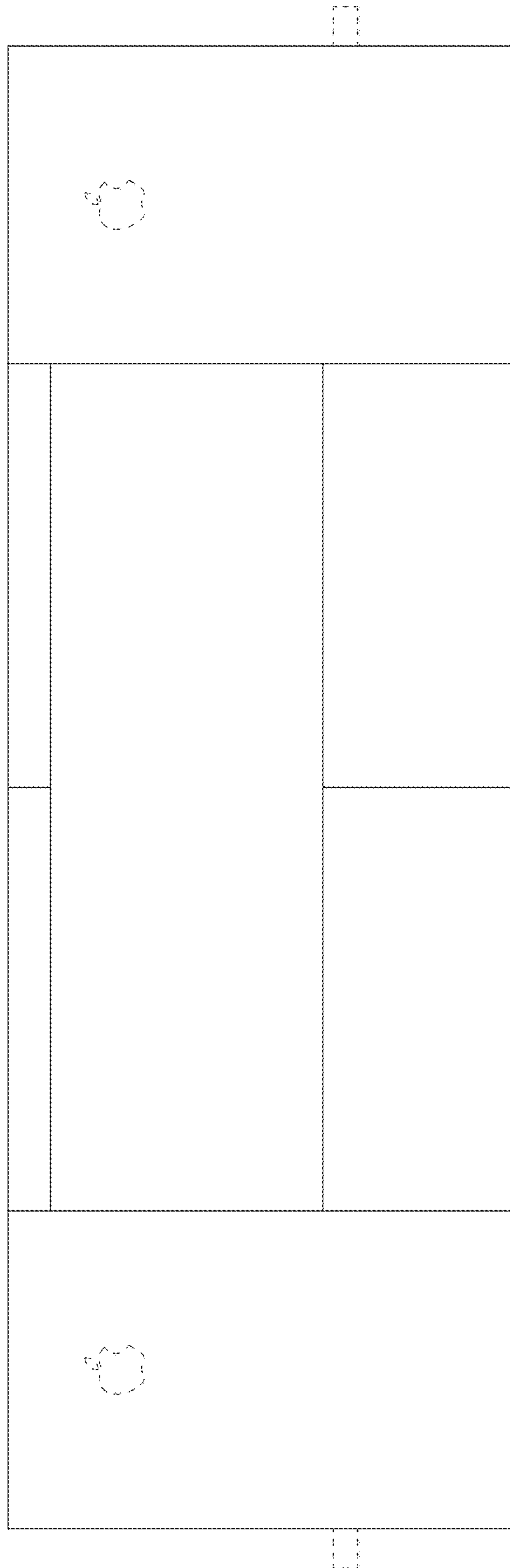


FIG. 5

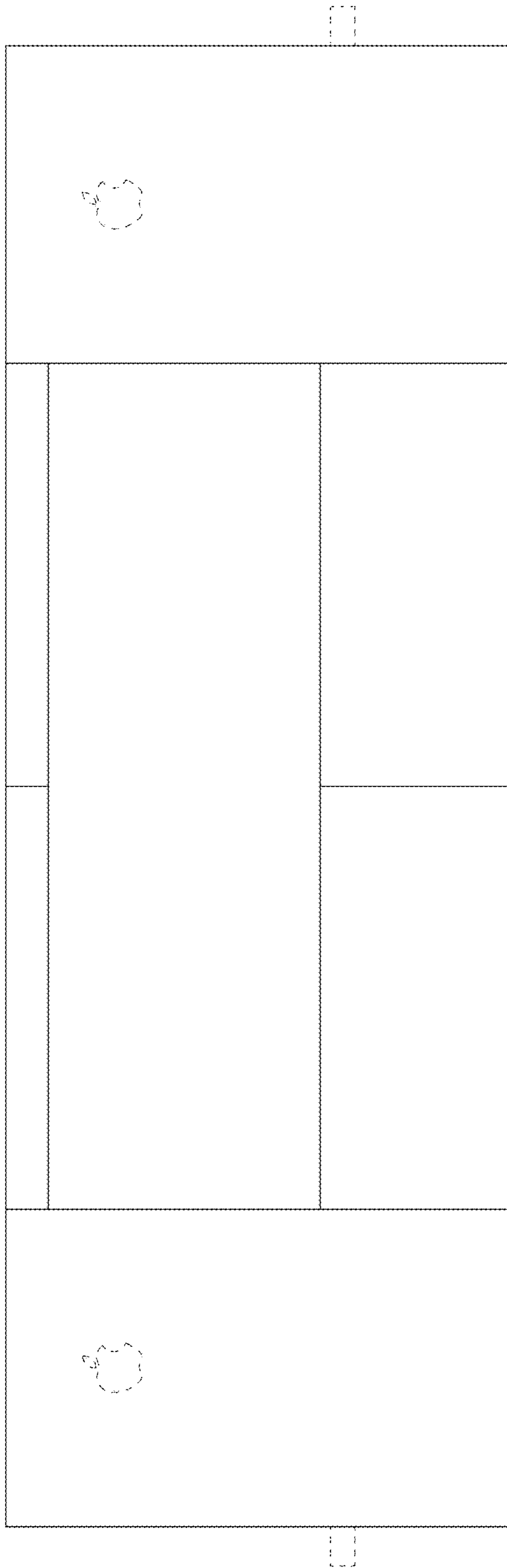


FIG. 6

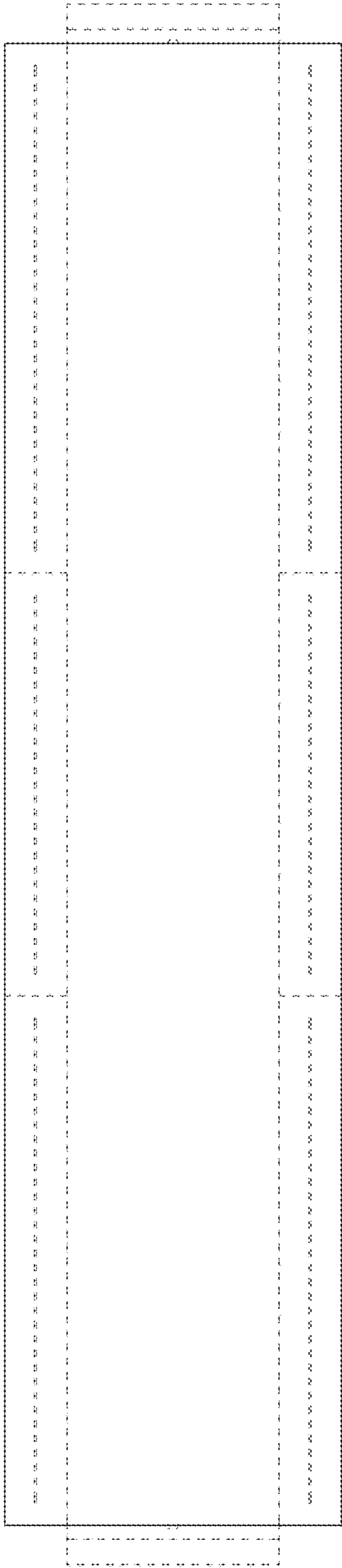


FIG. 7

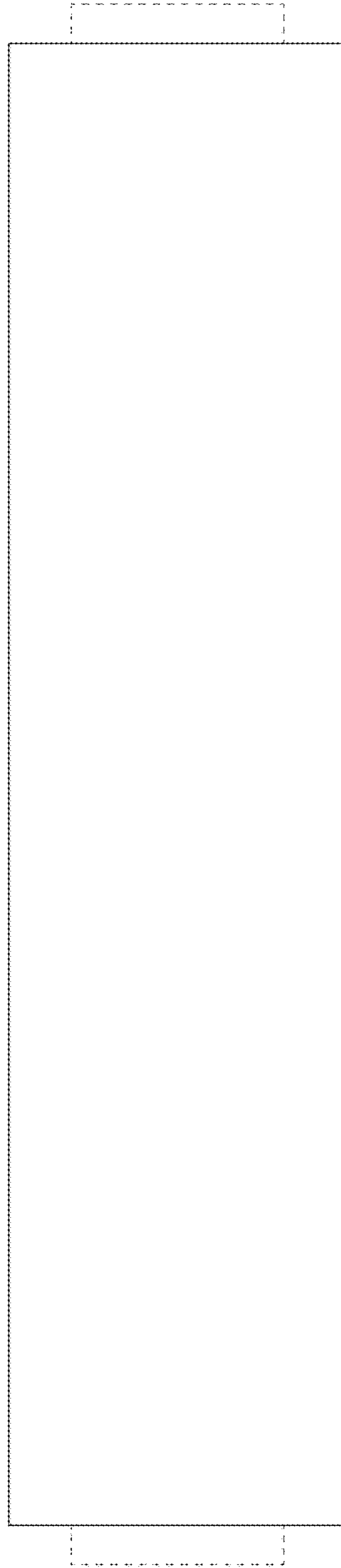


FIG. 8