



US00D796226S

(12) **United States Design Patent**
Joseph

(10) **Patent No.:** **US D796,226 S**
(45) **Date of Patent:** **** Sep. 5, 2017**

(54) **SINK ACCESSORIES**
(71) Applicant: **JOSEPH JOSEPH LTD**, London (GB)
(72) Inventor: **Antony Joseph**, London (GB)
(73) Assignee: **Joseph Joseph Ltd.**, London (GB)
(**) Term: **15 Years**
(21) Appl. No.: **29/562,293**
(22) Filed: **Apr. 25, 2016**

(30) **Foreign Application Priority Data**

Oct. 27, 2015 (EM) 002837997-0004

(51) **LOC (10) Cl.** **23-02**

(52) **U.S. Cl.**
USPC **D6/530**

(58) **Field of Classification Search**
USPC D6/530, 524, 525, 536, 540, 553, 566;
211/13.1, 74, 71.01, 86.01, 75, 126.1,
211/133.5, 134, 181.1; D3/315; D32/55
CPC A47K 17/00; A47K 3/281; A47K 3/001;
A47K 5/00; B23P 17/04; A47B 57/265;
A47B 57/565; A47B 57/26; A47J 47/16;
A47J 47/20
See application file for complete search history.

(56) **References Cited**

U.S. PATENT DOCUMENTS

D414,362 S * 9/1999 Olmos D6/525
D531,844 S * 11/2006 Snell D6/542

D555,405 S * 11/2007 Bueno D6/530
D731,187 S * 6/2015 Thompson D3/315
D731,728 S * 6/2015 Evans D32/55
D781,069 S * 3/2017 Marshall D6/553

* cited by examiner

Primary Examiner — Wan Laymon
Assistant Examiner — Mark Booker

(74) *Attorney, Agent, or Firm* — Millen White Zelano & Branigan, P.C.

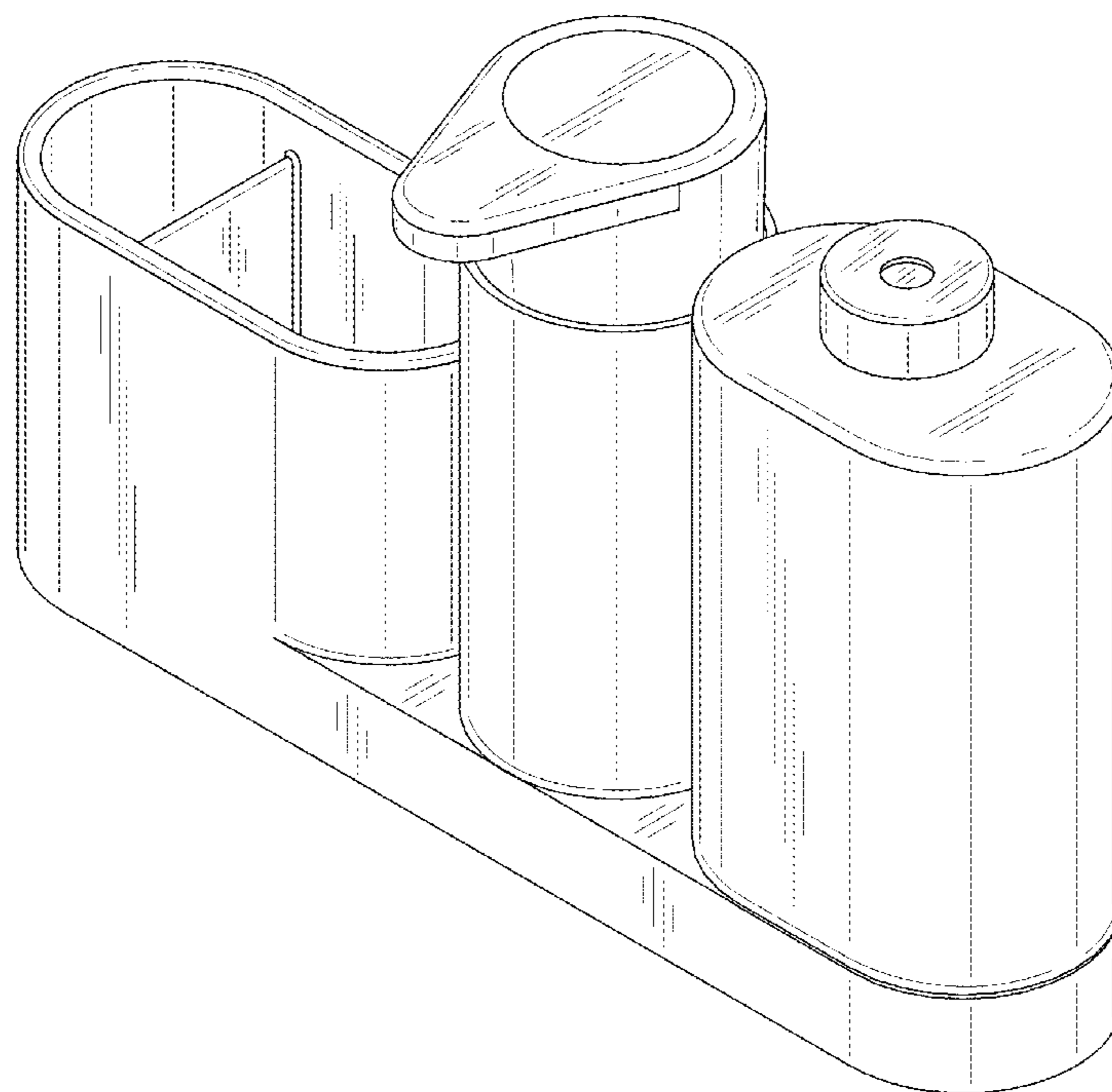
(57) **CLAIM**

The ornamental design for a sink accessories, as shown and described.

DESCRIPTION

FIG. 1 is a top perspective view of the sink accessories showing my new design.
FIG. 2 is a front view thereof.
FIG. 3 is a back view thereof.
FIG. 4 is a top view thereof.
FIG. 5 is a bottom view thereof.
FIG. 6 is a side view thereof.
FIG. 7 is another side view thereof.
FIG. 8 is a bottom perspective view thereof; and,
FIG. 9 is a top perspective exploded view thereof.
The broken lines in the drawings illustrate portions of the sink accessories which form no part of the claimed design.

1 Claim, 9 Drawing Sheets



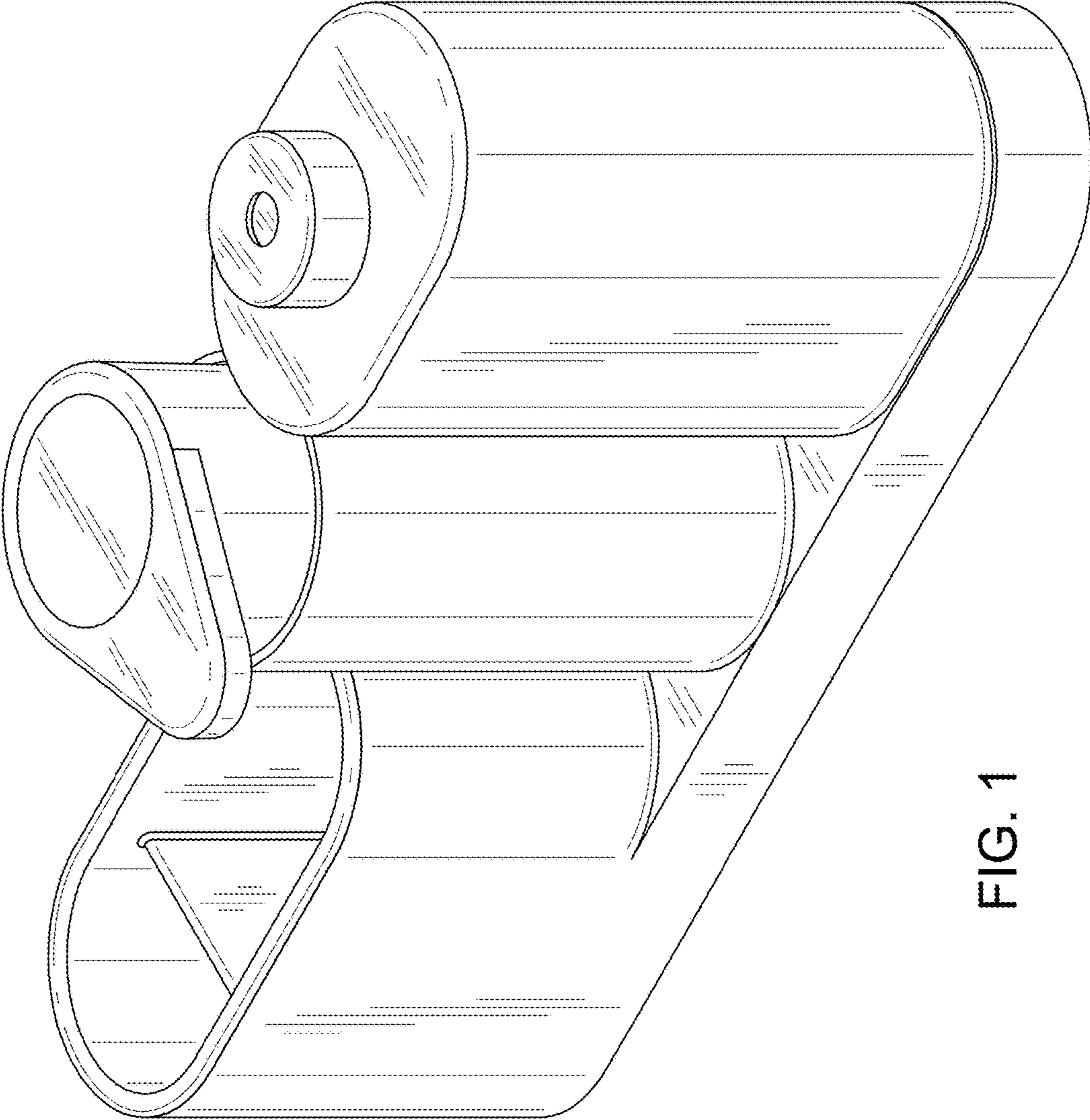


FIG. 1

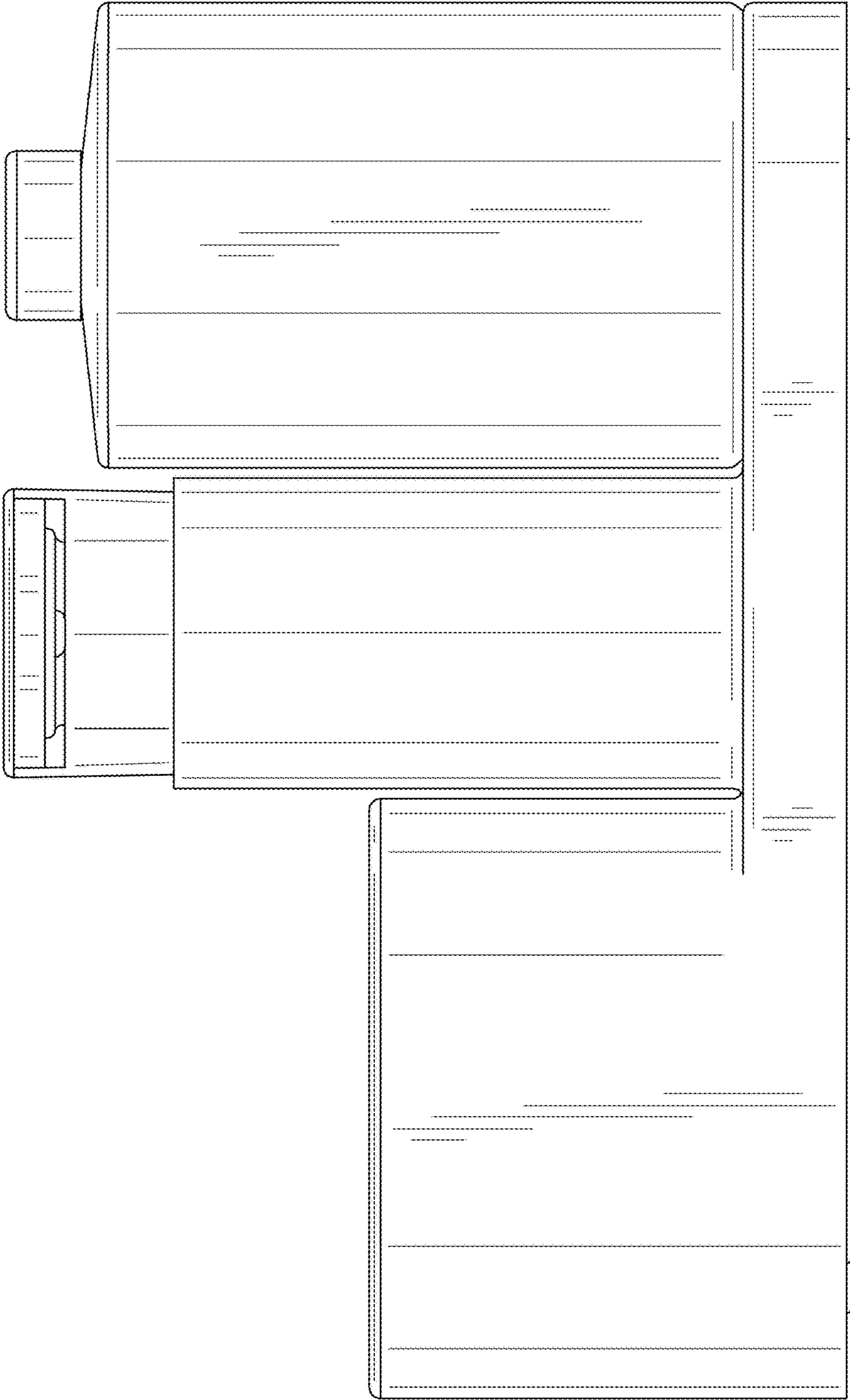


FIG. 2

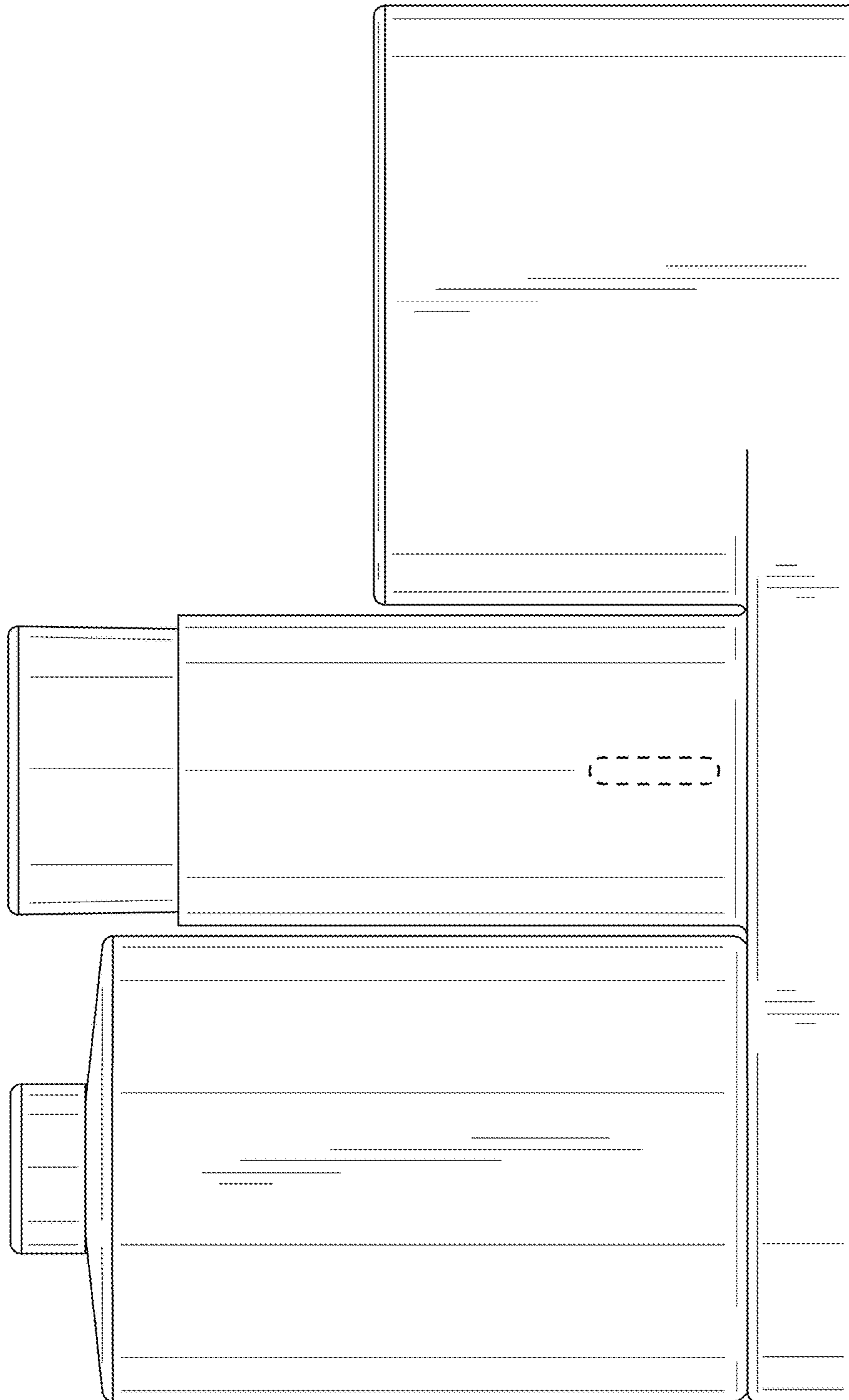


FIG. 3

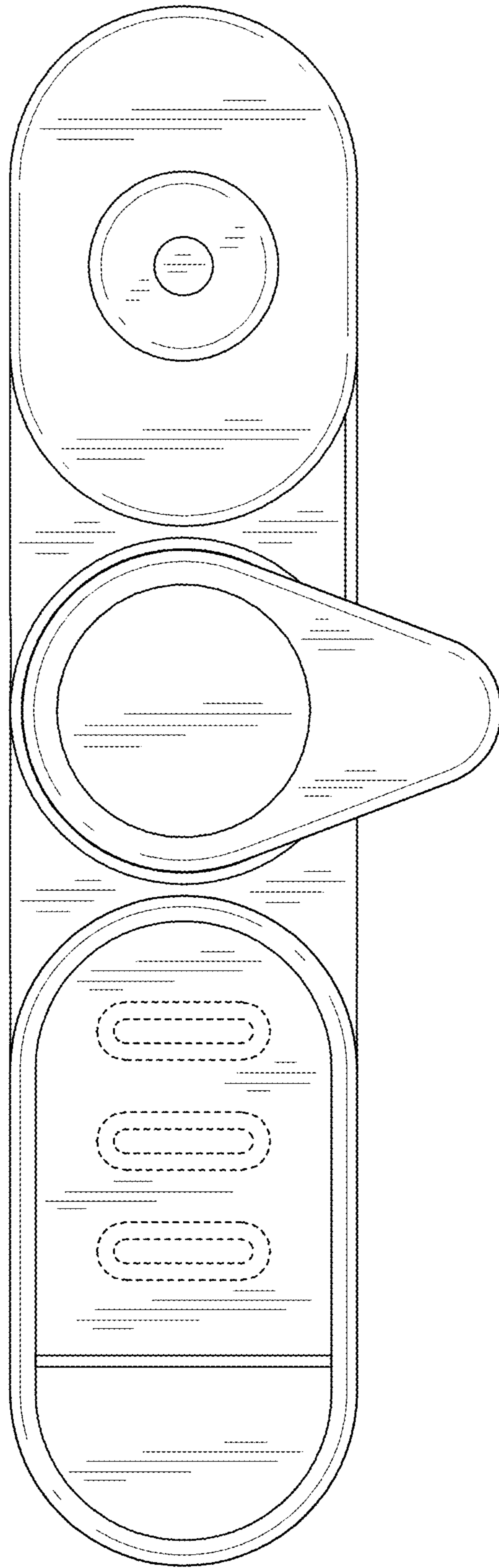


FIG. 4

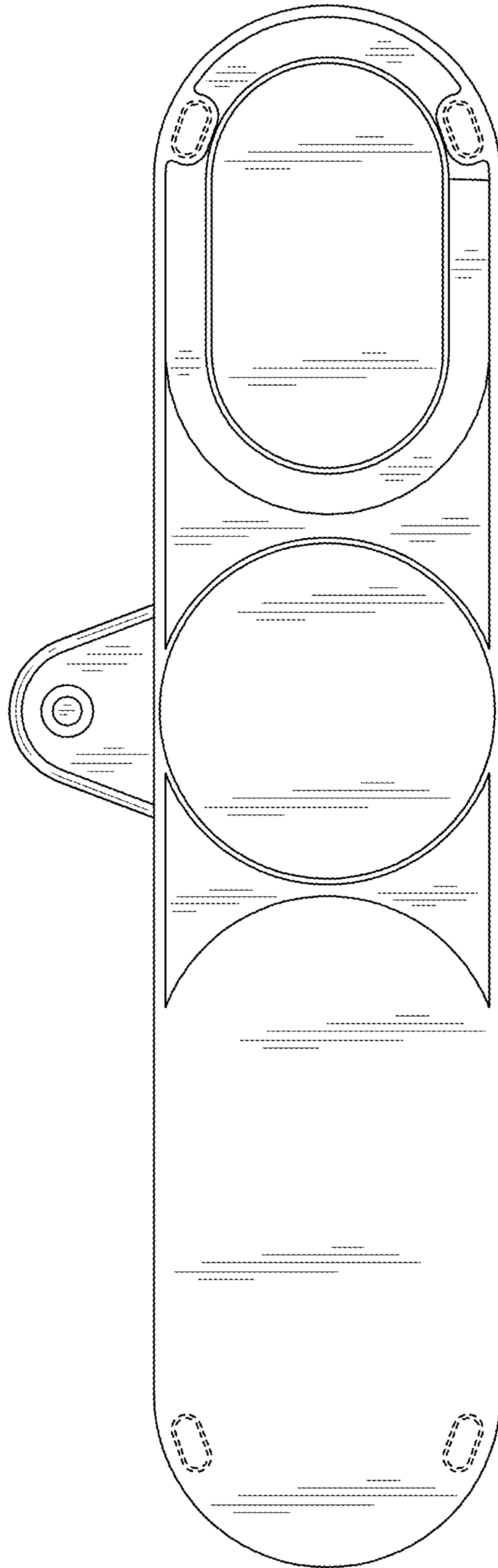


FIG. 5

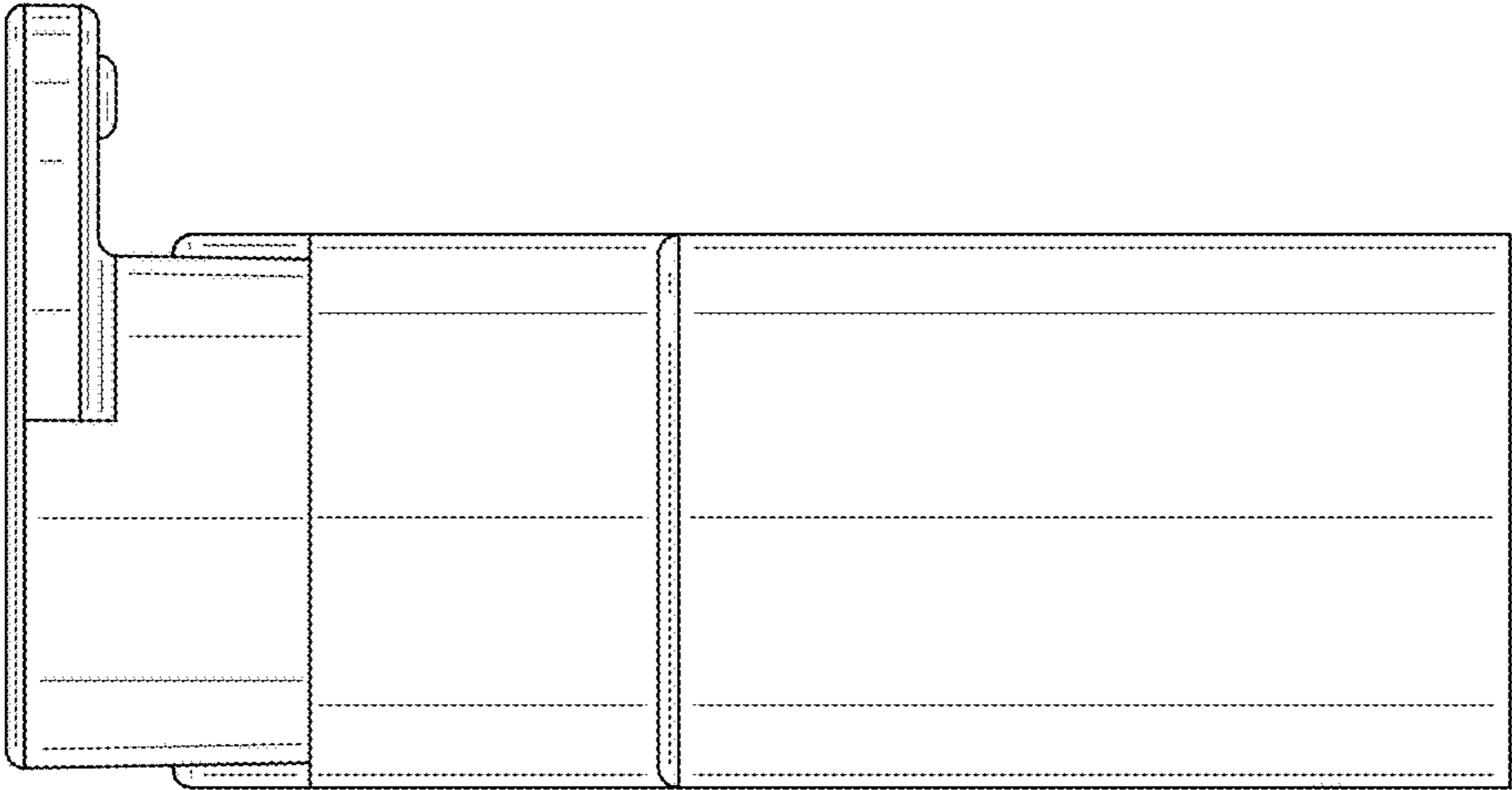


FIG. 6

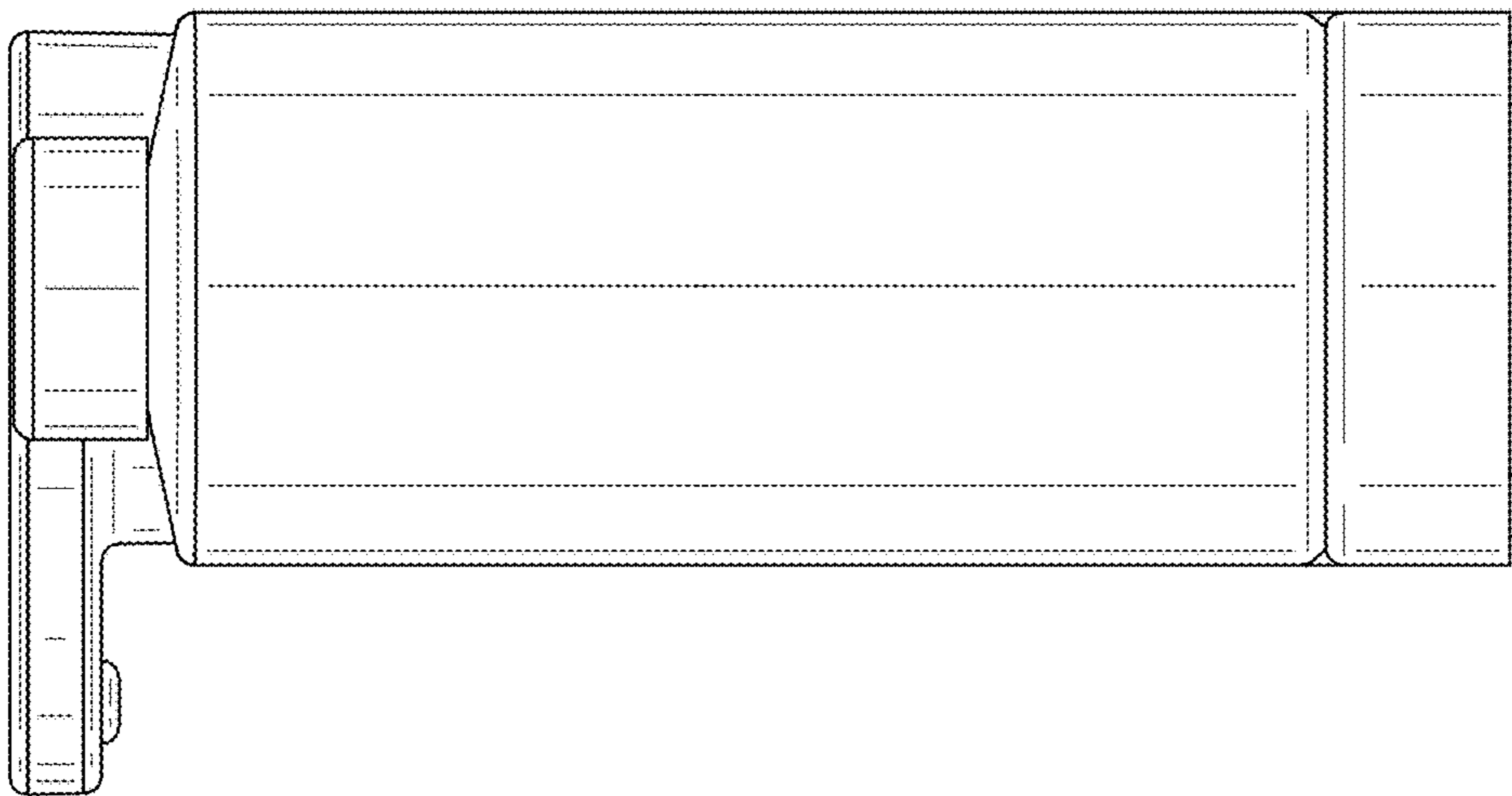


FIG. 7

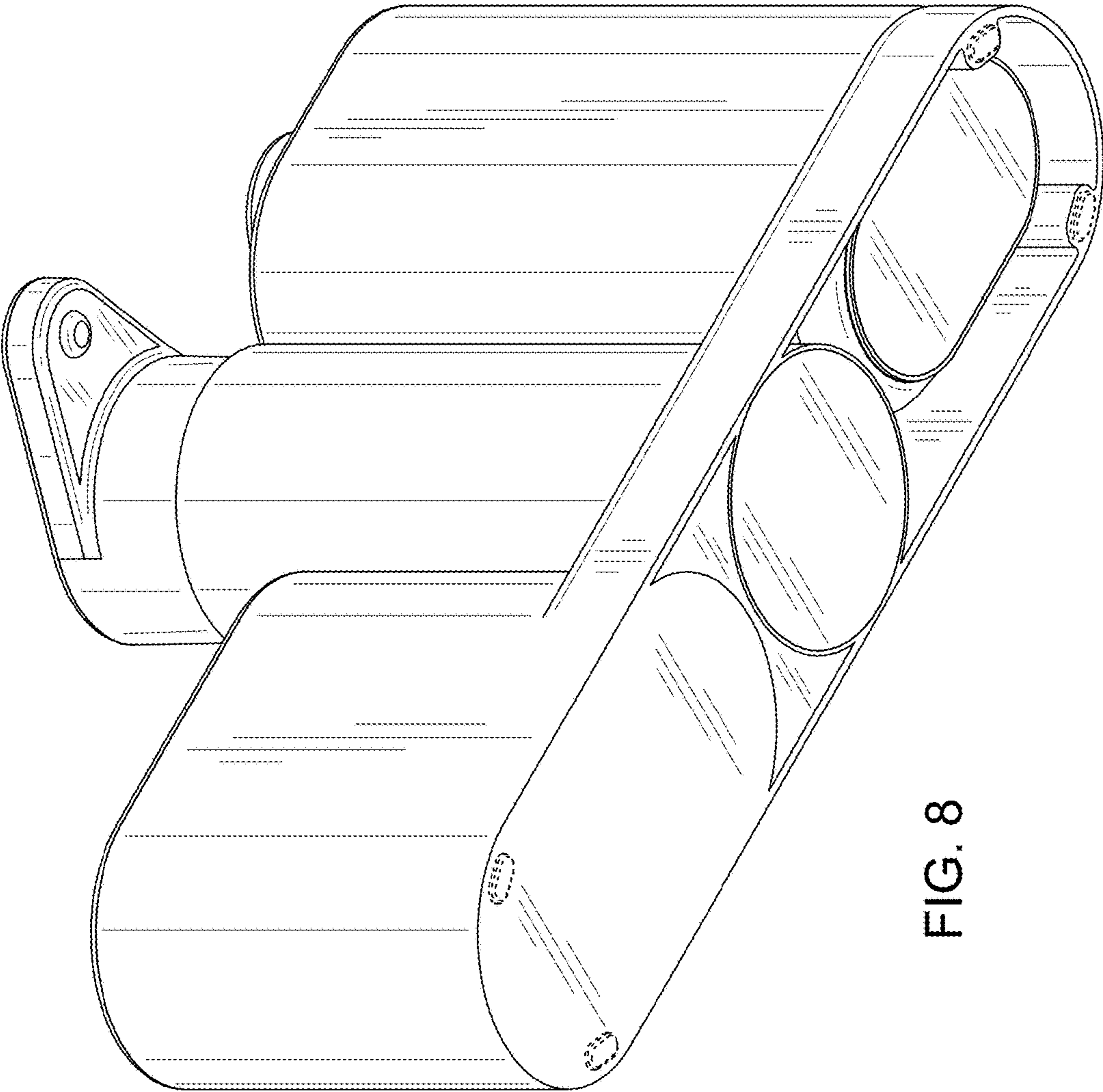


FIG. 8

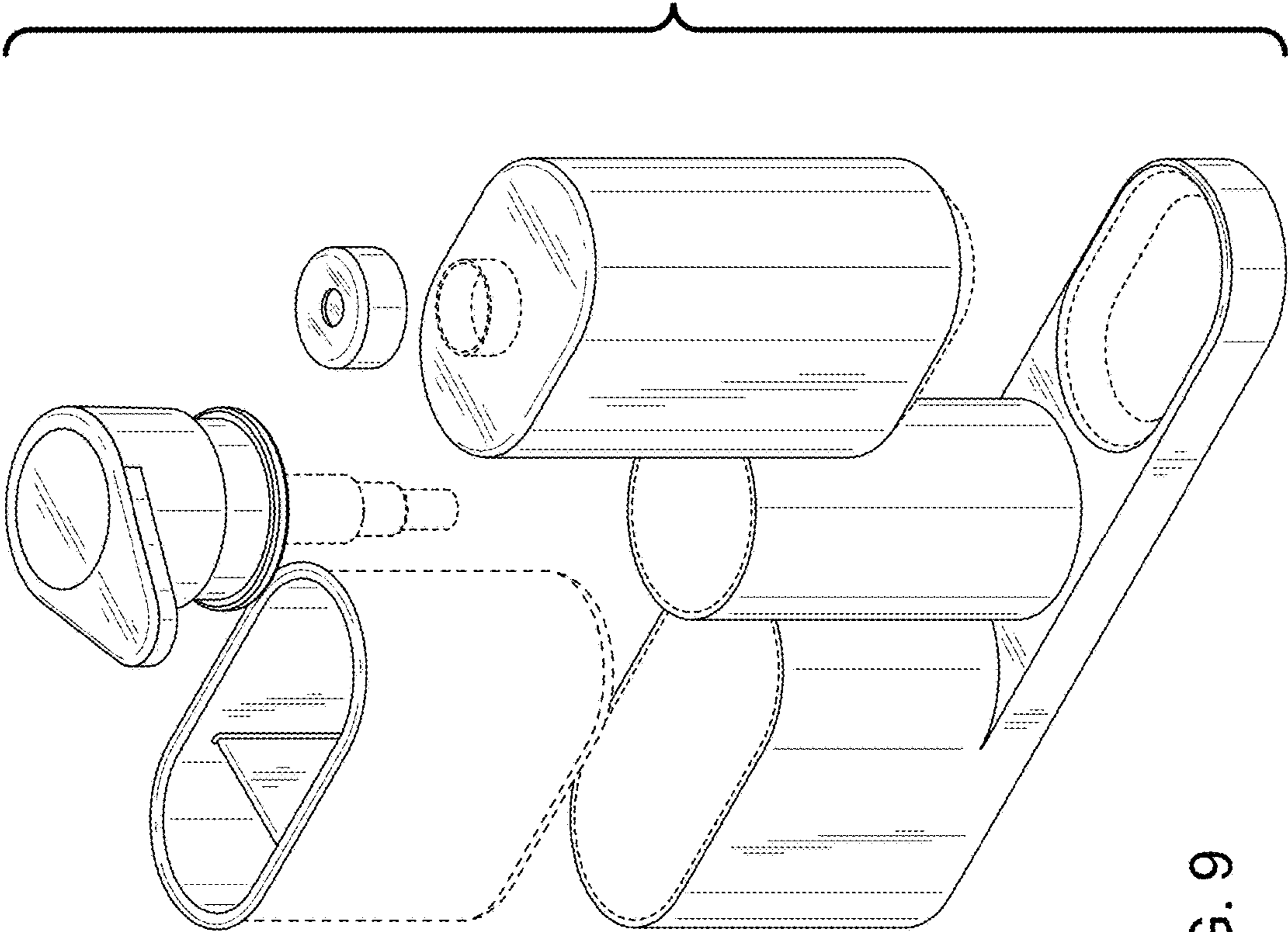


FIG. 9