



US00D796224S

(12) **United States Design Patent** (10) **Patent No.:** **US D796,224 S**  
**McDonnell** (45) **Date of Patent:** **\*\* Sep. 5, 2017**

- (54) **PAPER TOWEL HOLDER WITH CLAMP**
- (71) Applicant: **Joseph A. McDonnell**, Weston, FL (US)
- (72) Inventor: **Joseph A. McDonnell**, Weston, FL (US)
- (\*\*) Term: **15 Years**
- (21) Appl. No.: **29/541,738**
- (22) Filed: **Oct. 7, 2015**
- (51) **LOC (10) Cl.** ..... **07-07**
- (52) **U.S. Cl.**  
USPC ..... **D6/522**
- (58) **Field of Classification Search**  
USPC ..... D6/518-523; D8/300, 370, 315, 71-74, D8/394-399, 354, 355, 356, 59; 108/28-29; 211/13.1, 16, 85.5, 86.01, 211/87.01, 88.04, 100, 105.1, 105.2, 106, 211/113, 123, 181.1, 182-183; 248/49, 248/175, 176.1, 200, 201, 205.1, 251, 248/302, 309.1, 315; 242/570, 590, 242/595-598  
CPC ..... A47K 10/22; A47K 2010/3233; A47K 2010/3246; A47K 2201/00  
See application file for complete search history.

- 5,662,288 A \* 9/1997 Chiang ..... A47K 10/38 242/596
- D426,992 S \* 6/2000 Walker ..... D6/522
- D551,478 S \* 9/2007 Dretzka ..... D6/522
- D608,576 S \* 1/2010 Goodman ..... D6/522
- D667,724 S \* 9/2012 Mangano ..... D8/395
- D719,807 S \* 12/2014 Robinson ..... D8/72
- D725,462 S \* 3/2015 Zilisch ..... D8/395
- D739,158 S \* 9/2015 Pan ..... D6/518
- 2014/0332618 A1\* 11/2014 McNicholas ..... A47K 10/22 242/591

\* cited by examiner

*Primary Examiner* — David Muller  
*Assistant Examiner* — Nathan Johnston  
(74) *Attorney, Agent, or Firm* — Bass, Berry & Sims PLC

(57) **CLAIM**

The ornamental design for a paper towel holder with clamp, as shown and described.

**DESCRIPTION**

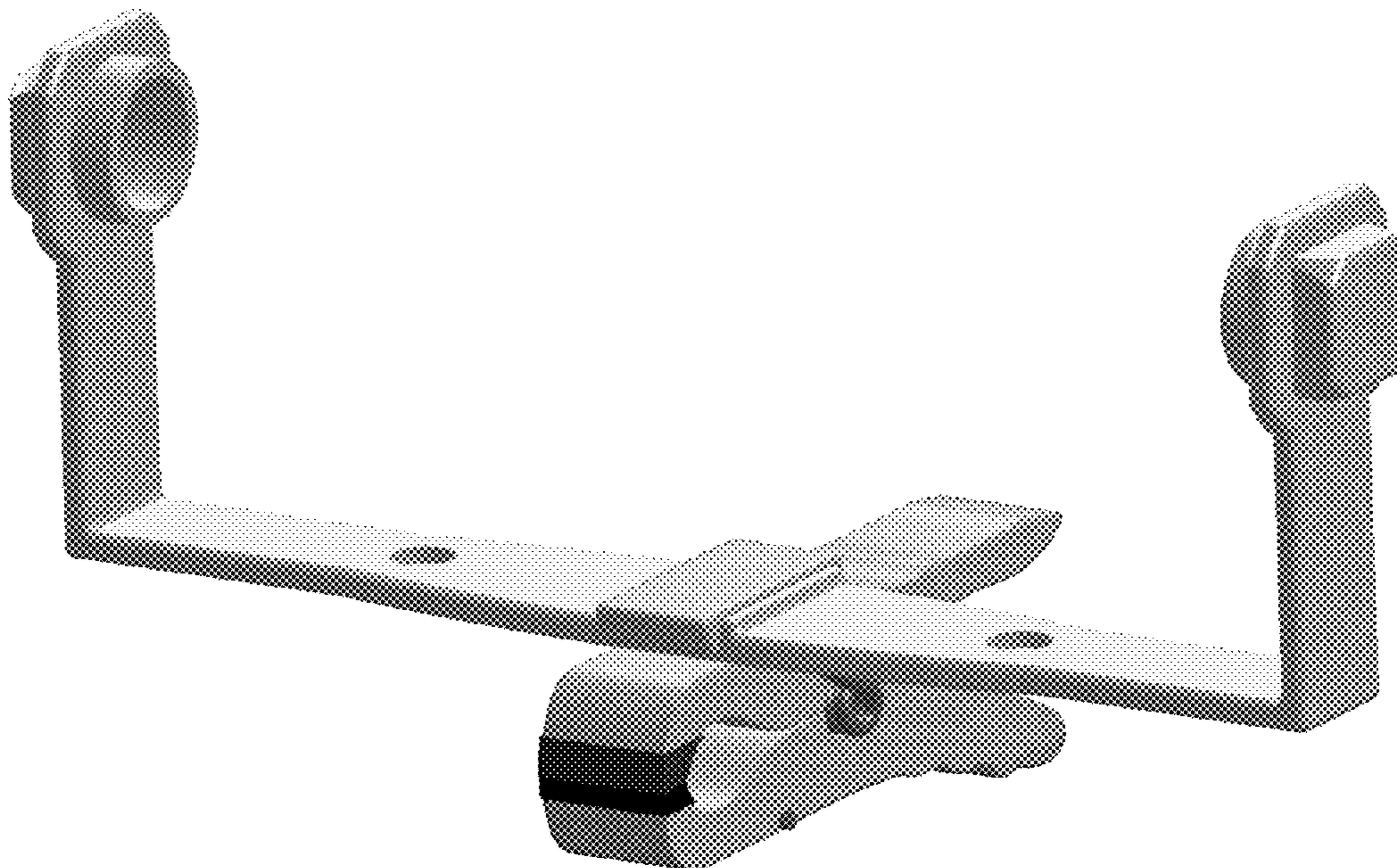
FIG. 1 is a front perspective view of a paper towel holder with clamp showing my new design;  
FIG. 2 is a right side elevation view thereof;  
FIG. 3 is a front elevation view thereof;  
FIG. 4 is a top perspective view thereof;  
FIG. 5 is a rear perspective view thereof with the paper towel holder component moved partially out of the retaining clip on the clamp component;  
FIG. 6 is a front perspective view of the clamp component shown separately for ease of illustration; and,  
FIG. 7 is a side perspective view of a top component of the clamp component shown separately for ease of illustration.

**1 Claim, 7 Drawing Sheets**

(56) **References Cited**

U.S. PATENT DOCUMENTS

- 4,097,002 A \* 6/1978 Krueger ..... A47K 10/40 242/160.1
- D264,406 S \* 5/1982 Arnott ..... D6/522
- D308,891 S \* 6/1990 Harris ..... D19/69
- D372,178 S \* 7/1996 Gossett ..... D8/395



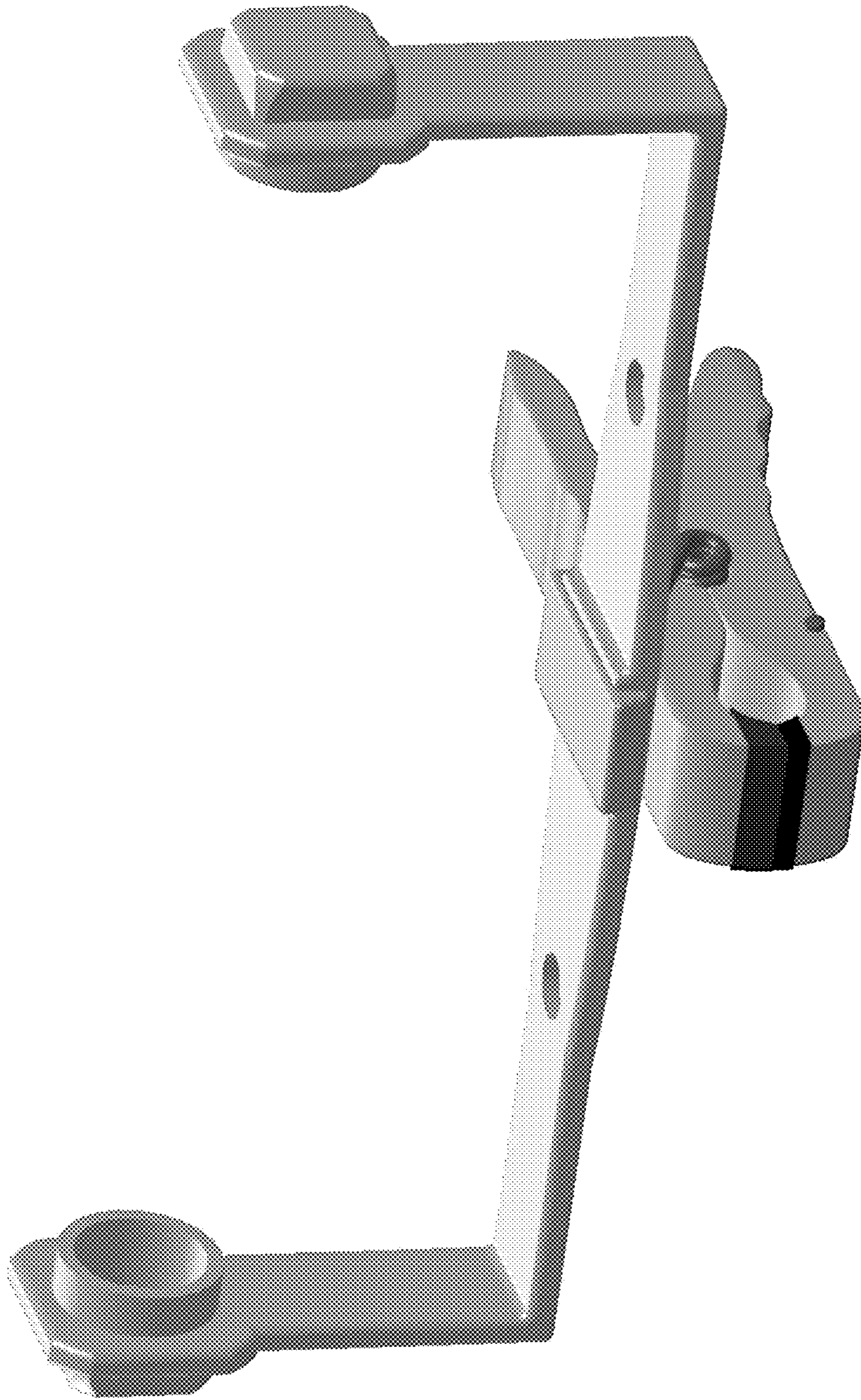


FIG. 1

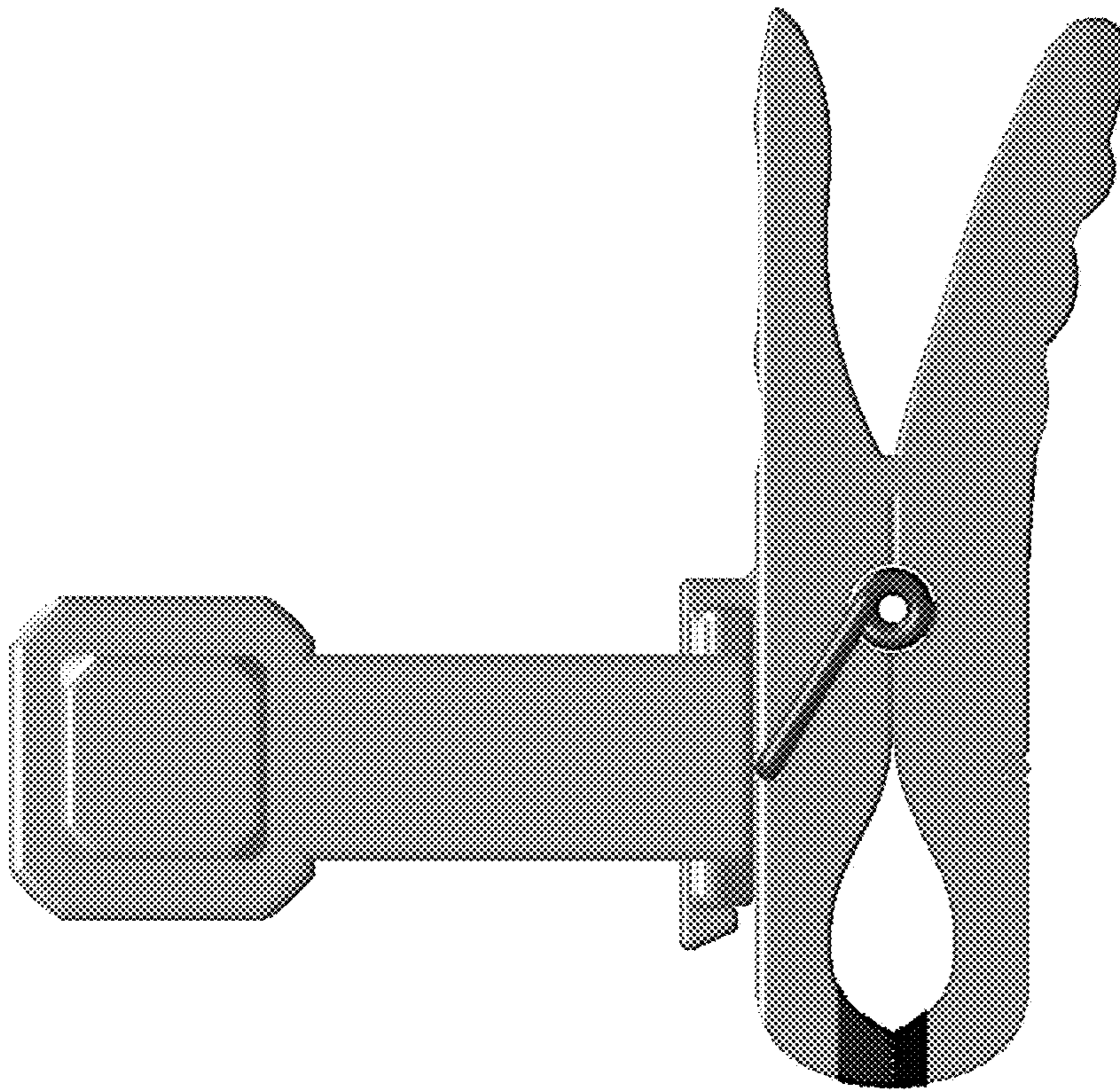


FIG. 2

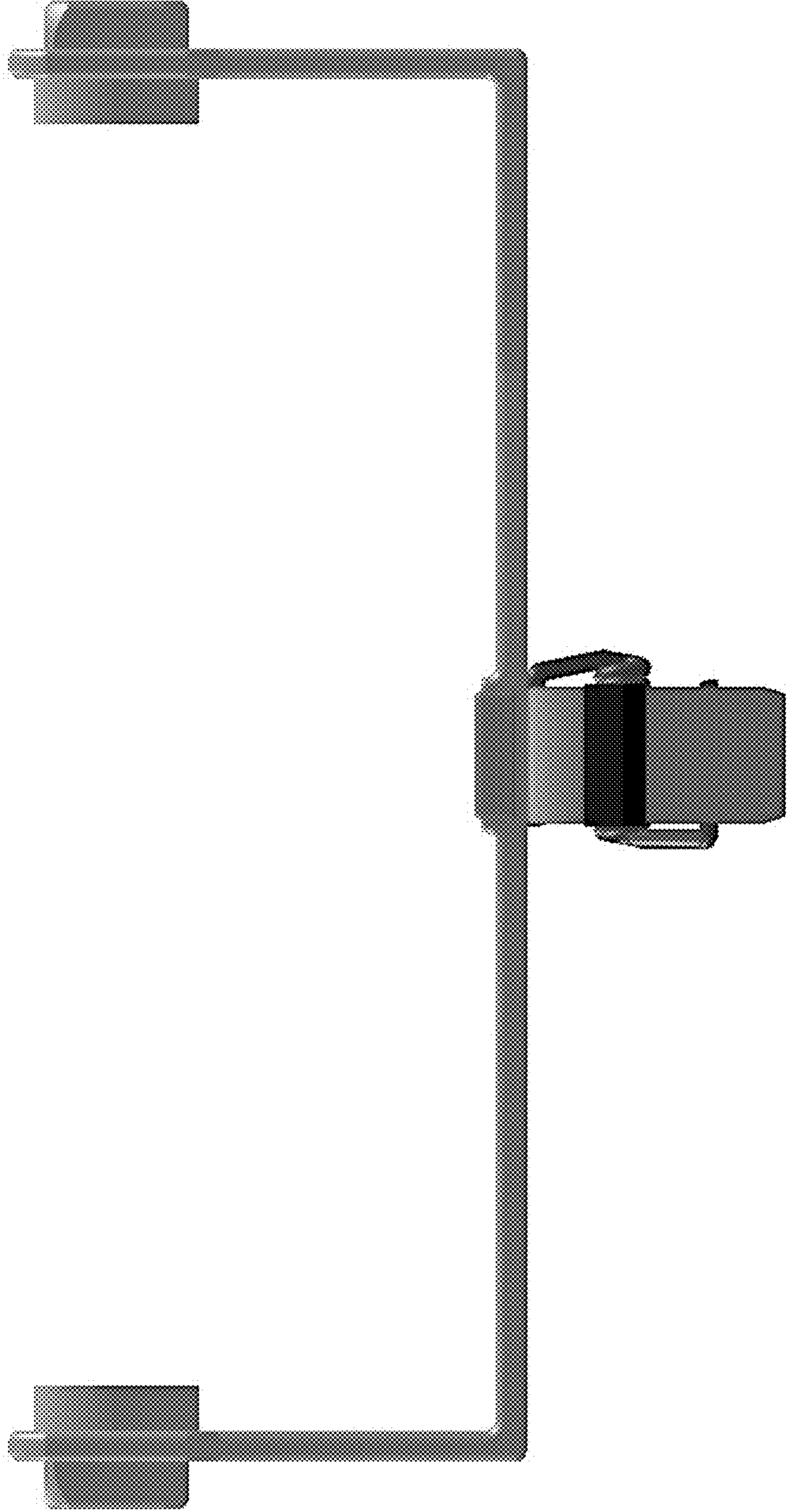


FIG. 3

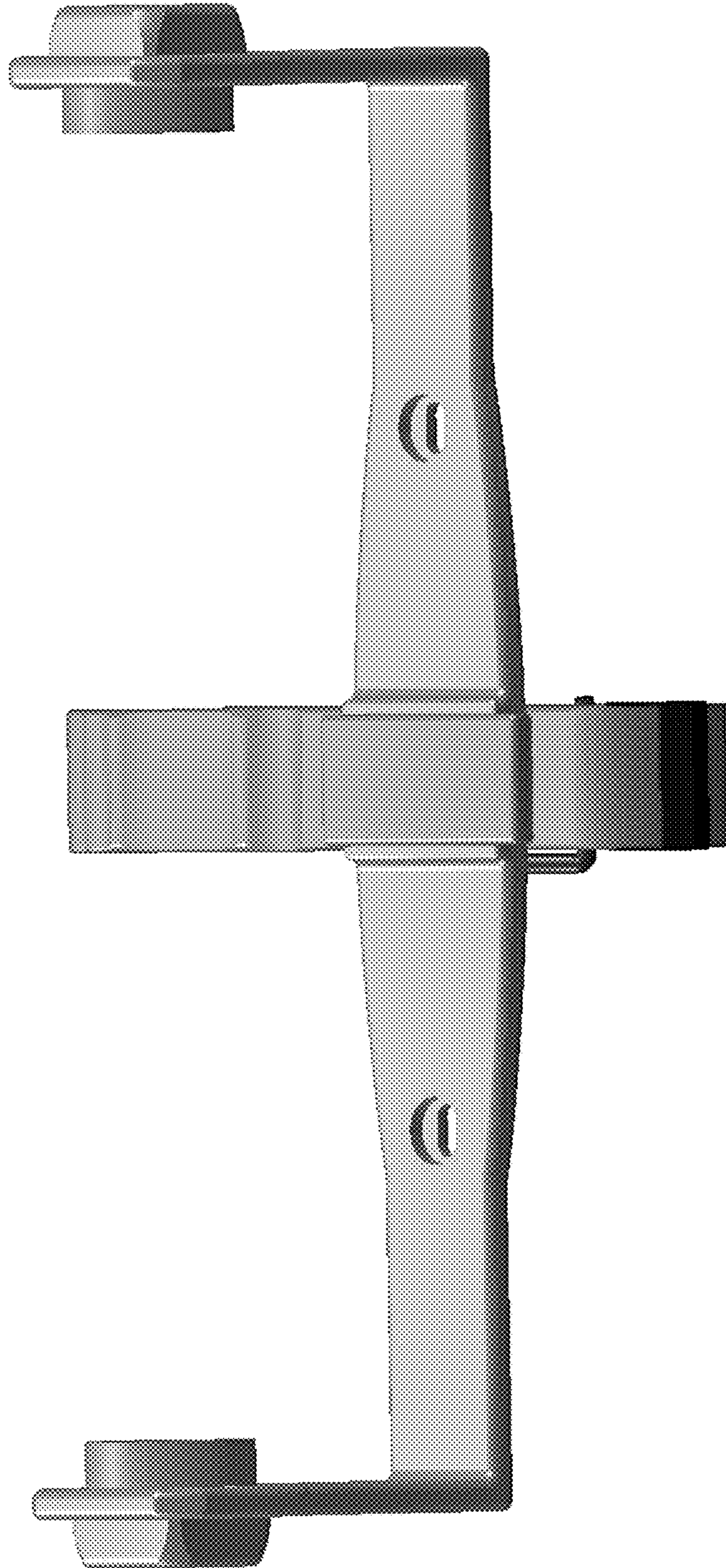


FIG. 4

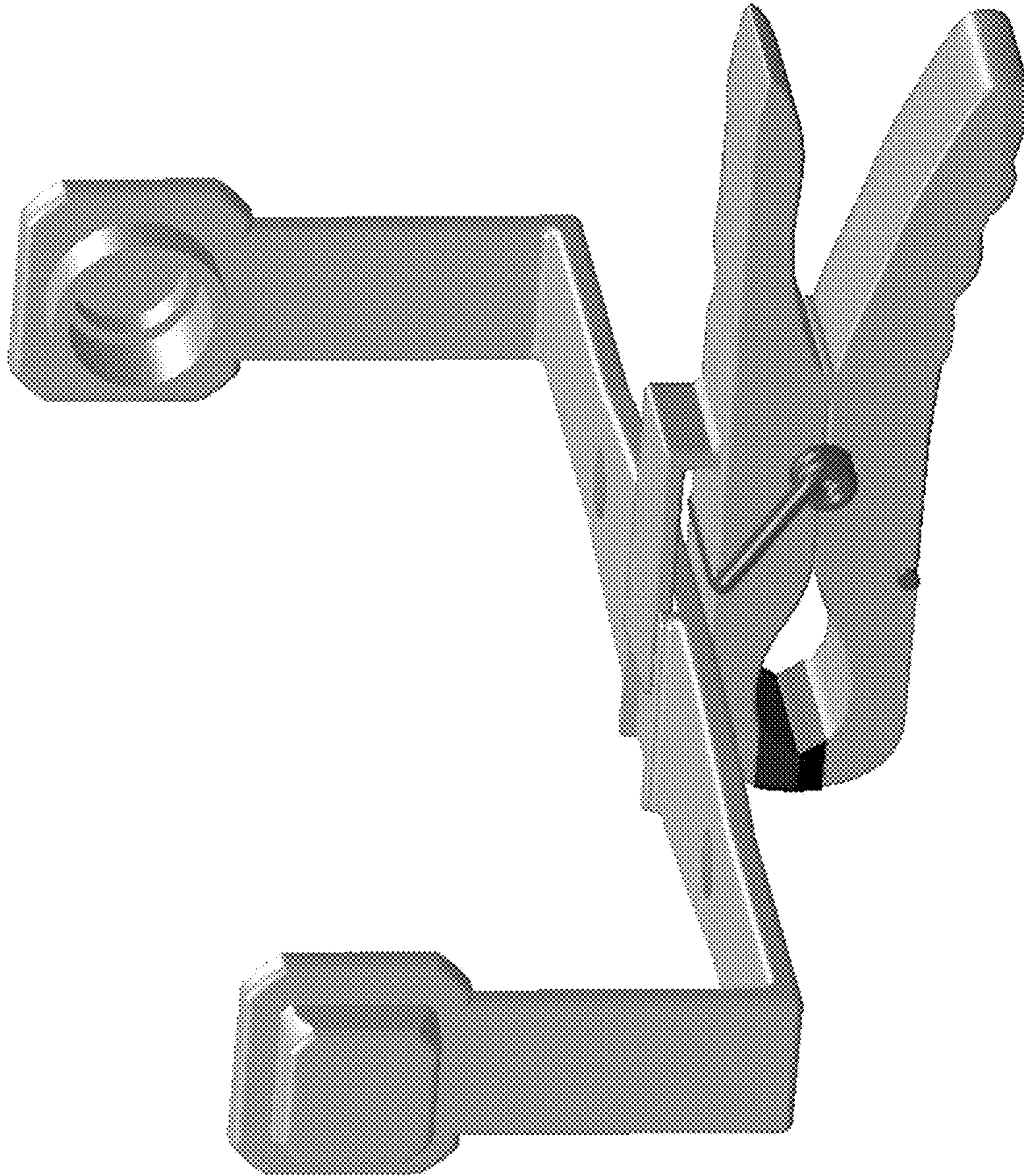


FIG. 5

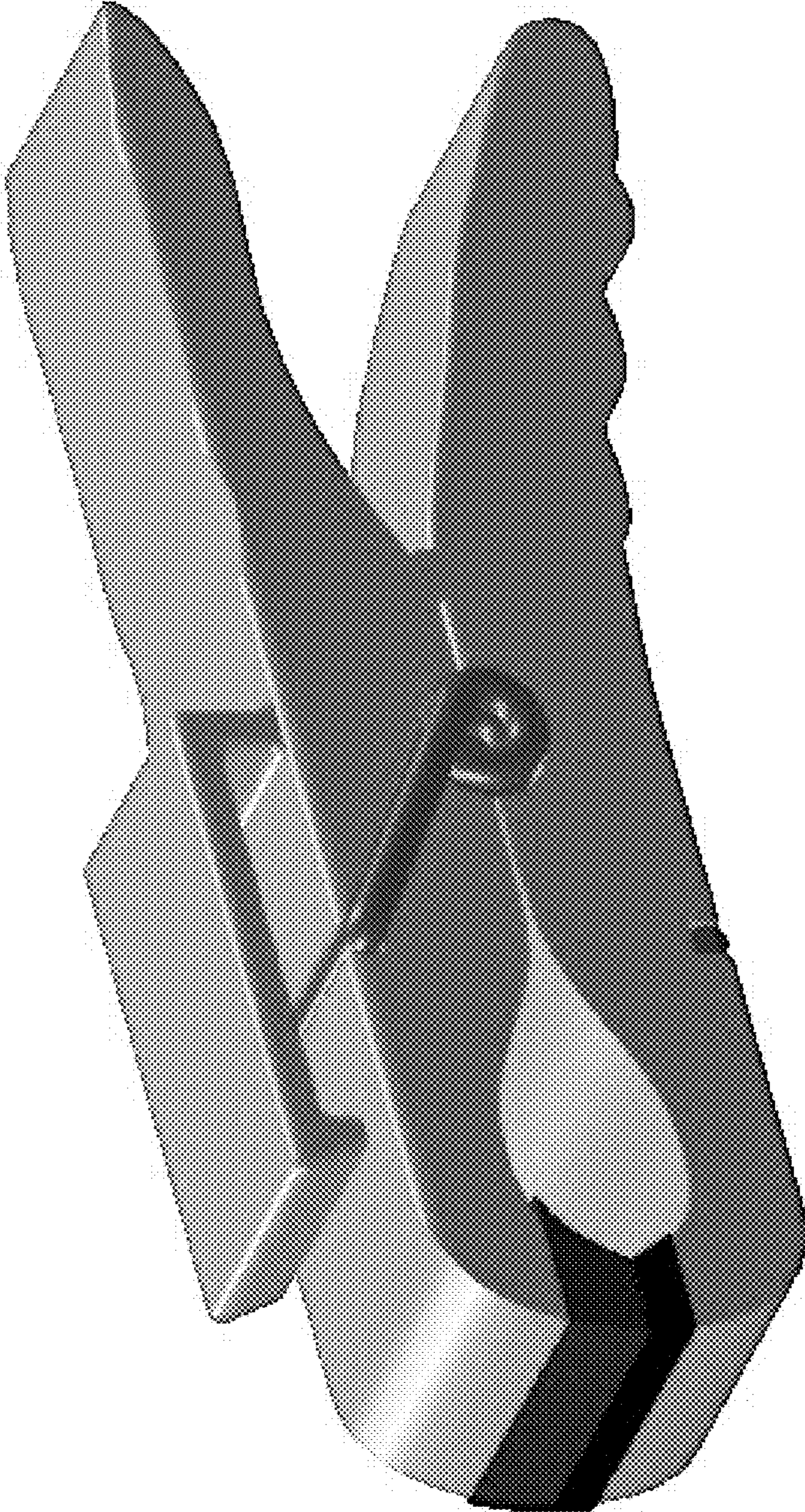


FIG. 6

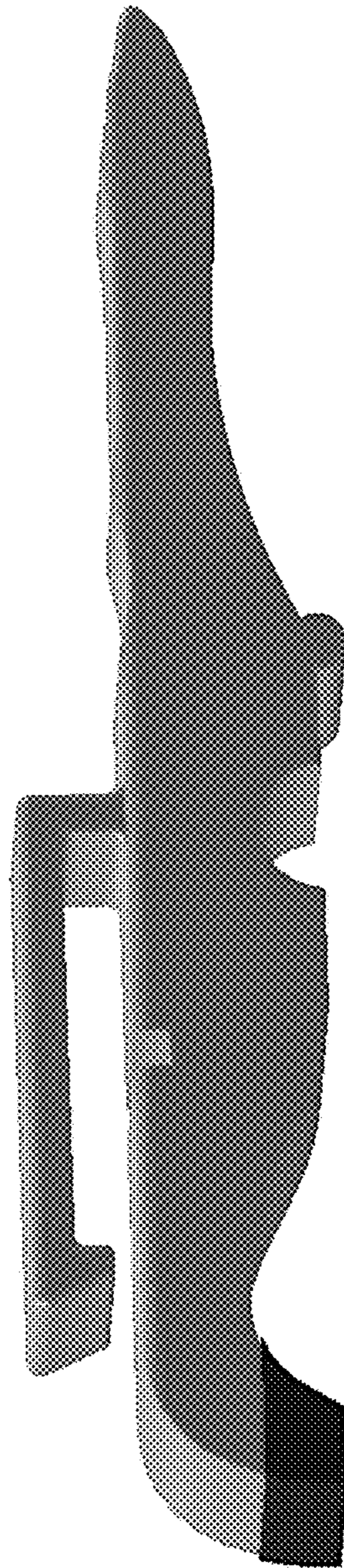


FIG. 7