



US00D796219S

(12) **United States Design Patent** (10) **Patent No.:** **US D796,219 S**
Lin (45) **Date of Patent:** **** Sep. 5, 2017**

(54) **MASSAGE CHAIR**
(71) Applicant: **Shanghai Rongtai Health Technology Corporation Limited, Shanghai (CN)**
(72) Inventor: **Qi Lin, Shanghai (CN)**
(73) Assignee: **Shanghai Rongtai Health Technology Corporation Limited, Shanghai (CN)**

D609,932 S * 2/2010 Lee D6/367
D613,099 S * 4/2010 Tran D6/367
D653,468 S * 2/2012 Hsieh D6/367
D656,331 S * 3/2012 Kita D6/367
D657,970 S * 4/2012 Hwang D6/367
D699,961 S * 2/2014 Le D6/367
D704,947 S * 5/2014 Zhou Honglie D6/367
D705,562 S * 5/2014 Ouchi D6/367
2010/0198120 A1 * 8/2010 Tago A61H 1/0237
601/134

(**) Term: **14 Years**

* cited by examiner

(21) Appl. No.: **29/520,577**

Primary Examiner — Ricky Pham

(22) Filed: **Mar. 16, 2015**

(74) *Attorney, Agent, or Firm* — Osha Liang LLP

(30) **Foreign Application Priority Data**

(57) **CLAIM**

Sep. 16, 2014 (CN) 2014 3 0341009

The ornamental design for a massage chair, as shown and described.

(51) **LOC (10) Cl.** **06-01**

DESCRIPTION

(52) **U.S. Cl.** **D6/367**

USPC **D6/367**

(58) **Field of Classification Search**

USPC D6/333-348, 361, 367, 371, 373, 379,
D6/716, 716.1-716.6

CPC A47C 1/0352; A47C 1/0355; A47C 7/50;
A47C 7/506; A61G 5/12; A61G
2005/128; A61H 1/003; A61H 1/0237;
A61H 7/001; A61H 15/0078; A61H
23/01; A61H 2201/1669

See application file for complete search history.

FIG. 1 is a perspective view of the design according to the invention.

FIG. 2 is another perspective view of the design according to the invention.

FIG. 3 is a front view of the design according to the invention.

FIG. 4 is a back view of the design according to the invention.

FIG. 5 is a top view of the design according to the invention.

FIG. 6 is a right side view of the design according to the invention; and,

FIG. 7 is a left side view of the design according to the invention.

The bottom of the design is flat and unornamented and, therefore, a bottom view of the design is disclaimed.

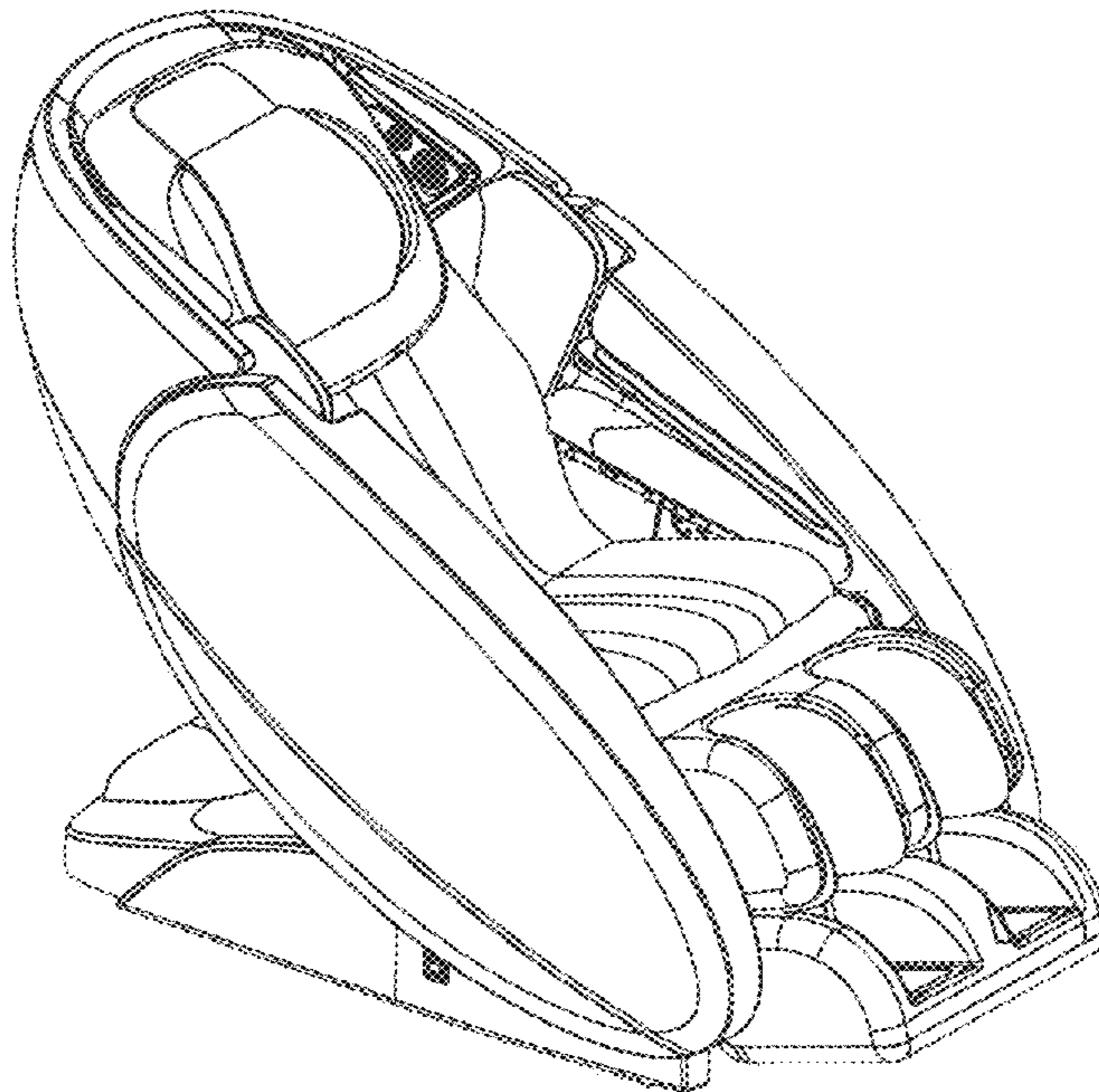
The broken lines depict unclaimed portions of the massage chair and form no part of the claimed design.

(56) **References Cited**

U.S. PATENT DOCUMENTS

D405,277 S * 2/1999 Onishi D6/333
D550,468 S * 9/2007 Ng D6/367

1 Claim, 7 Drawing Sheets



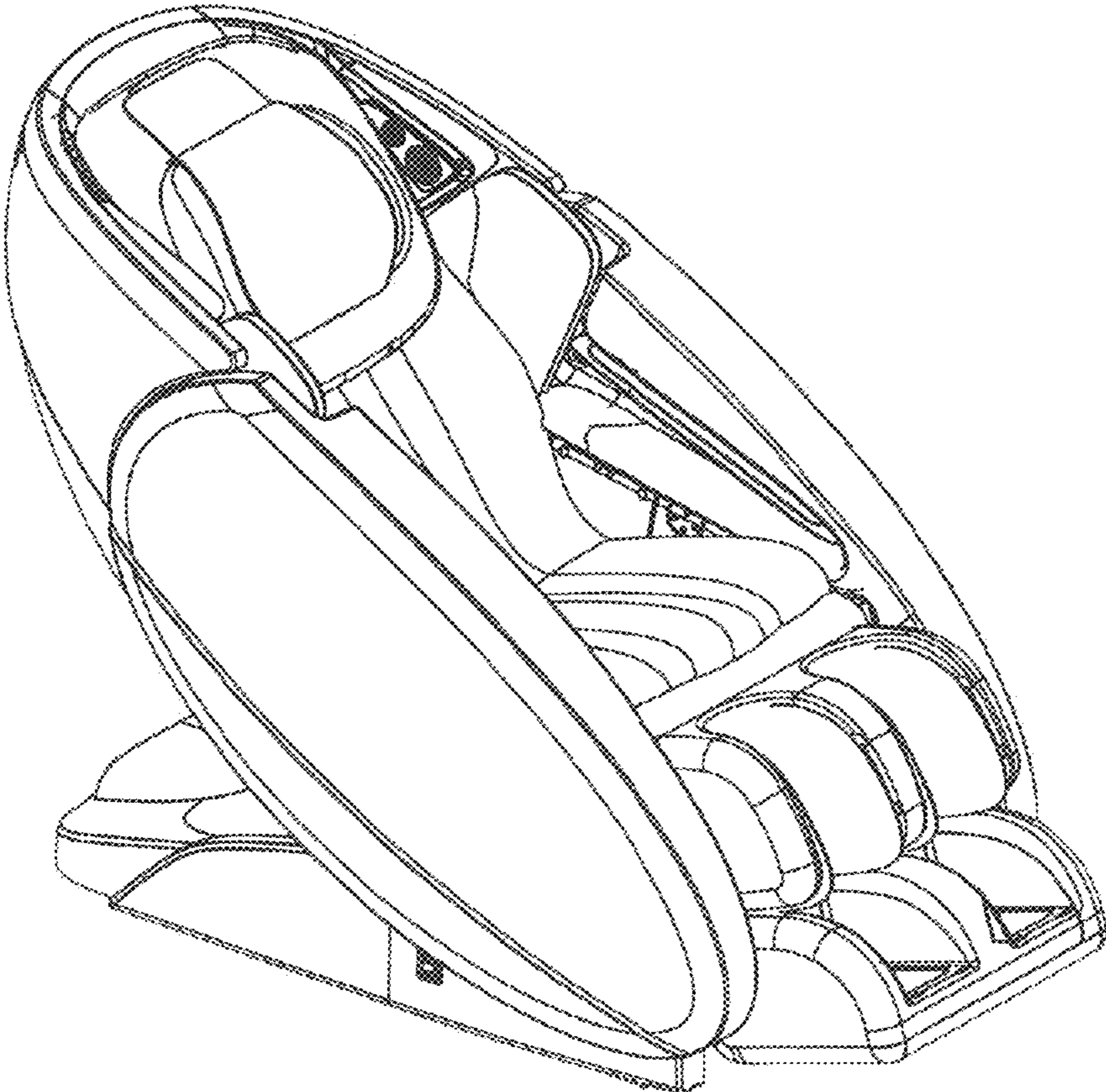


FIG. 1

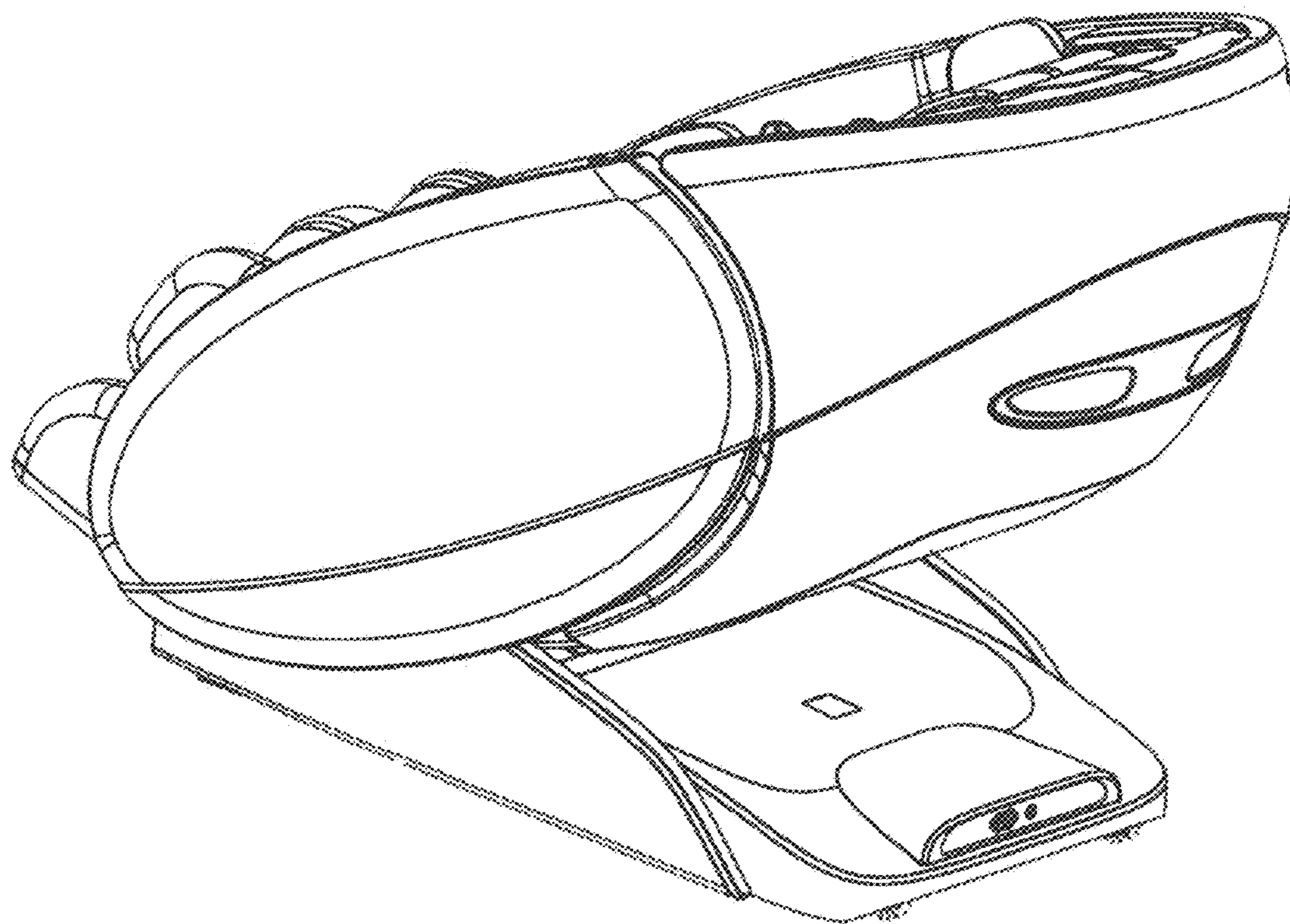


FIG. 2

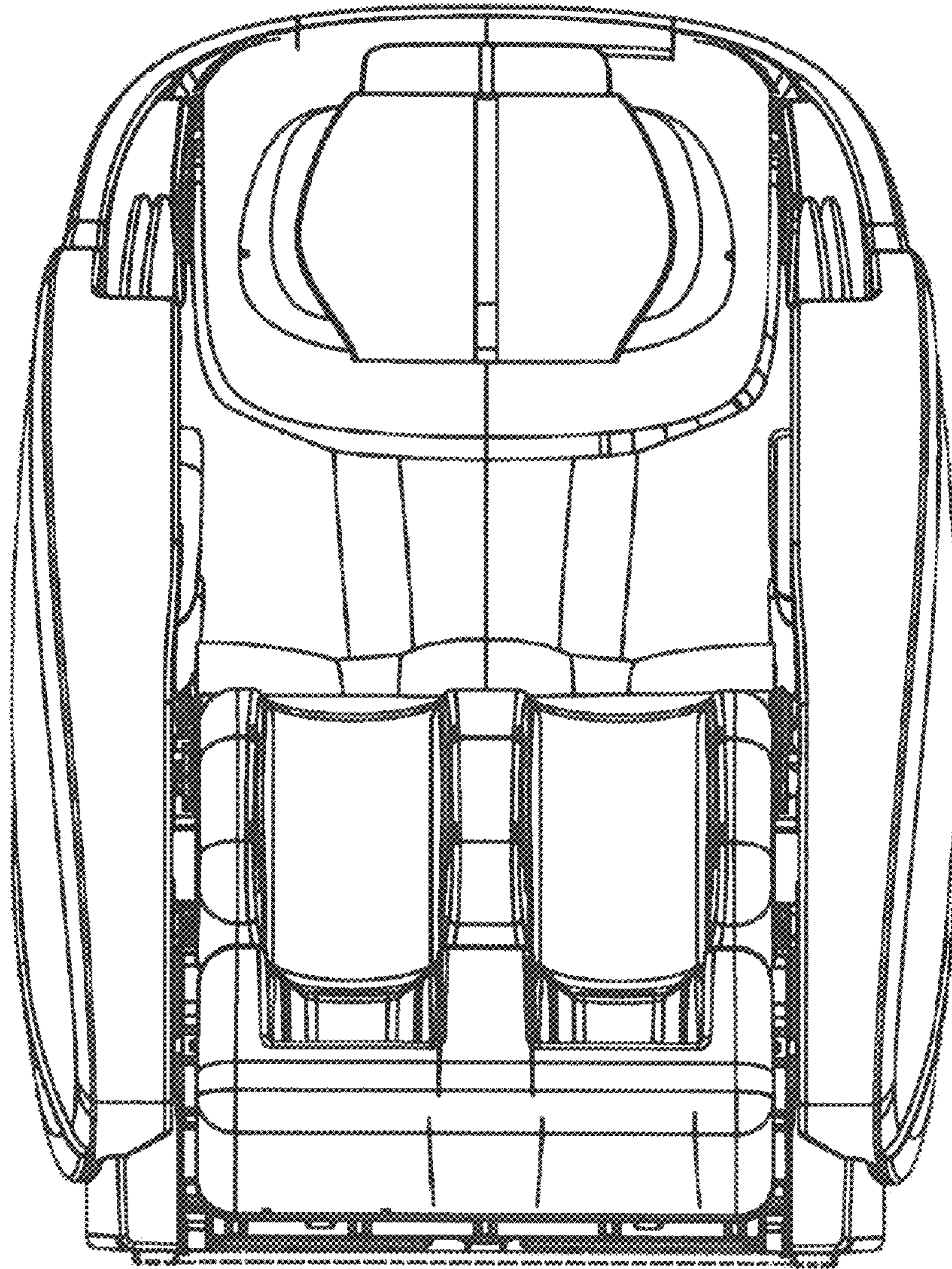


FIG. 3

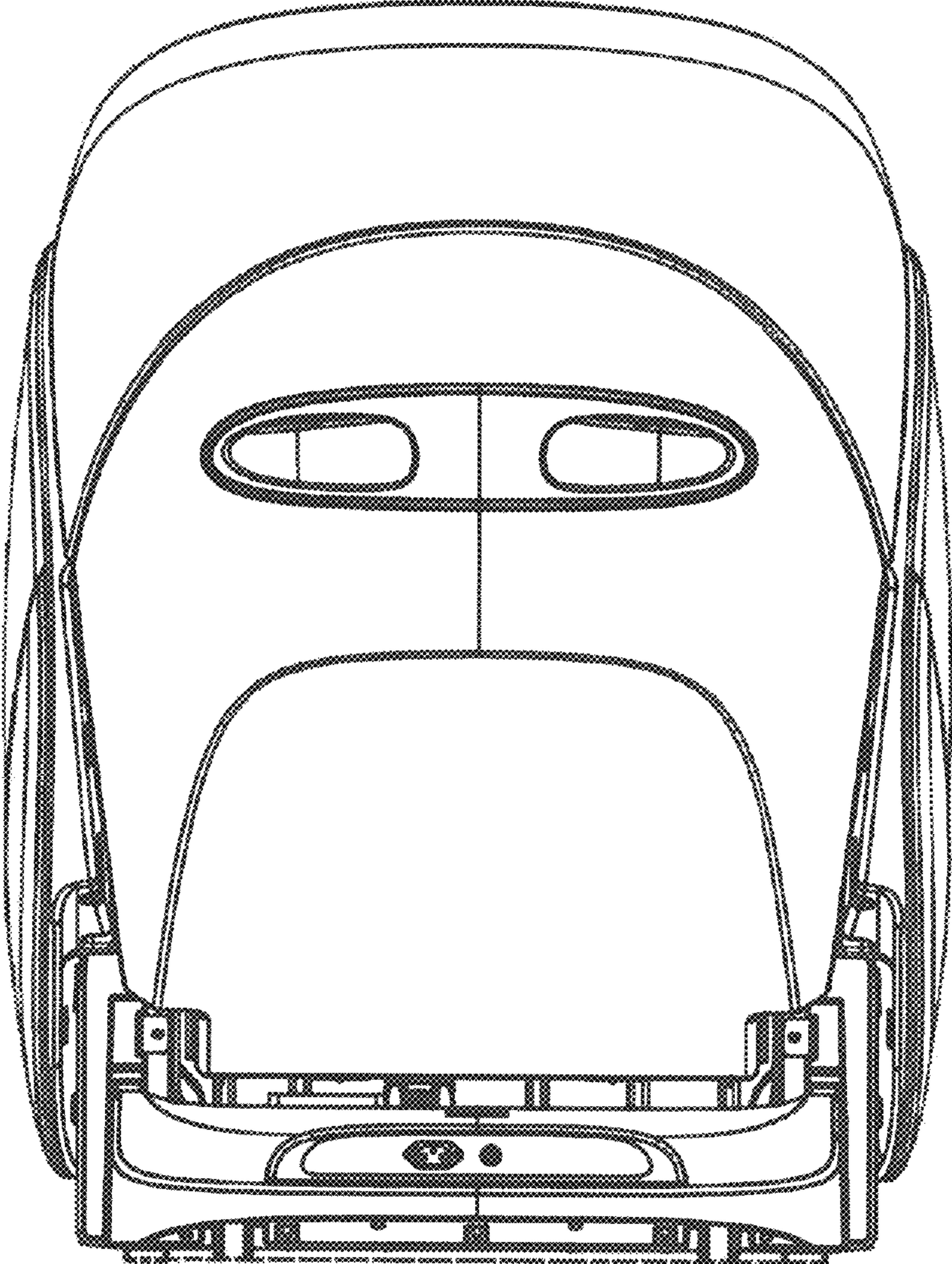


FIG. 4

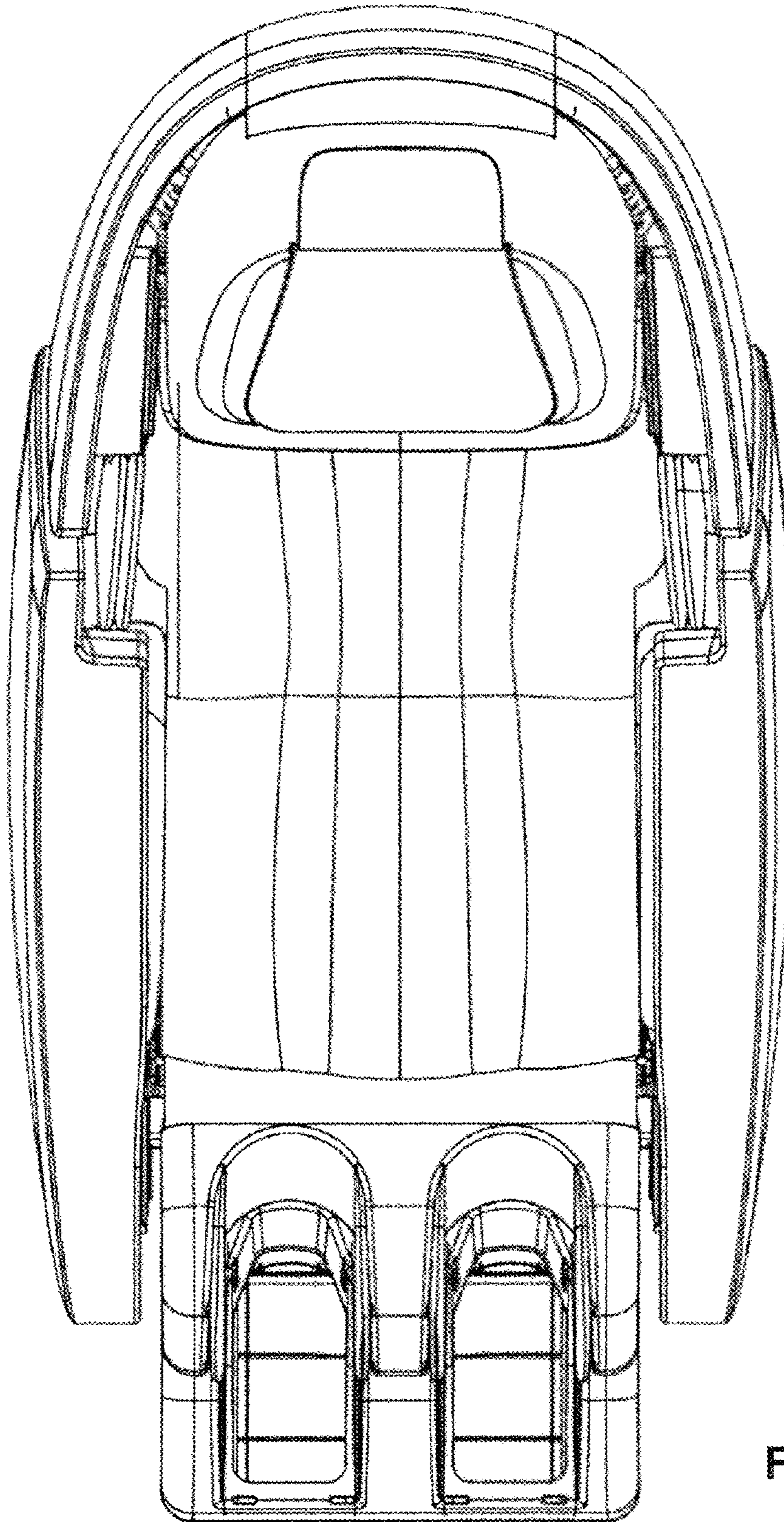


FIG. 5

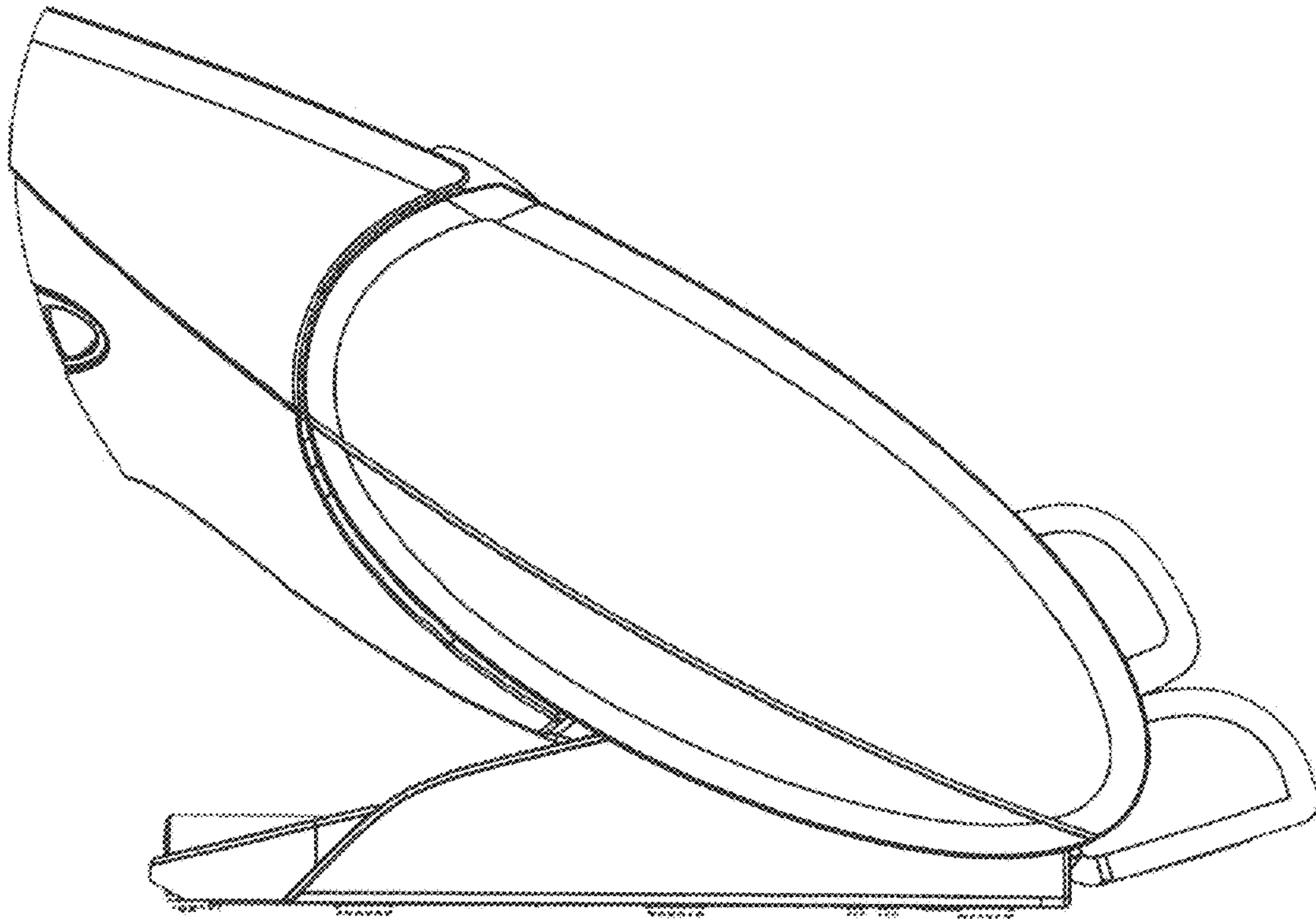


FIG. 6

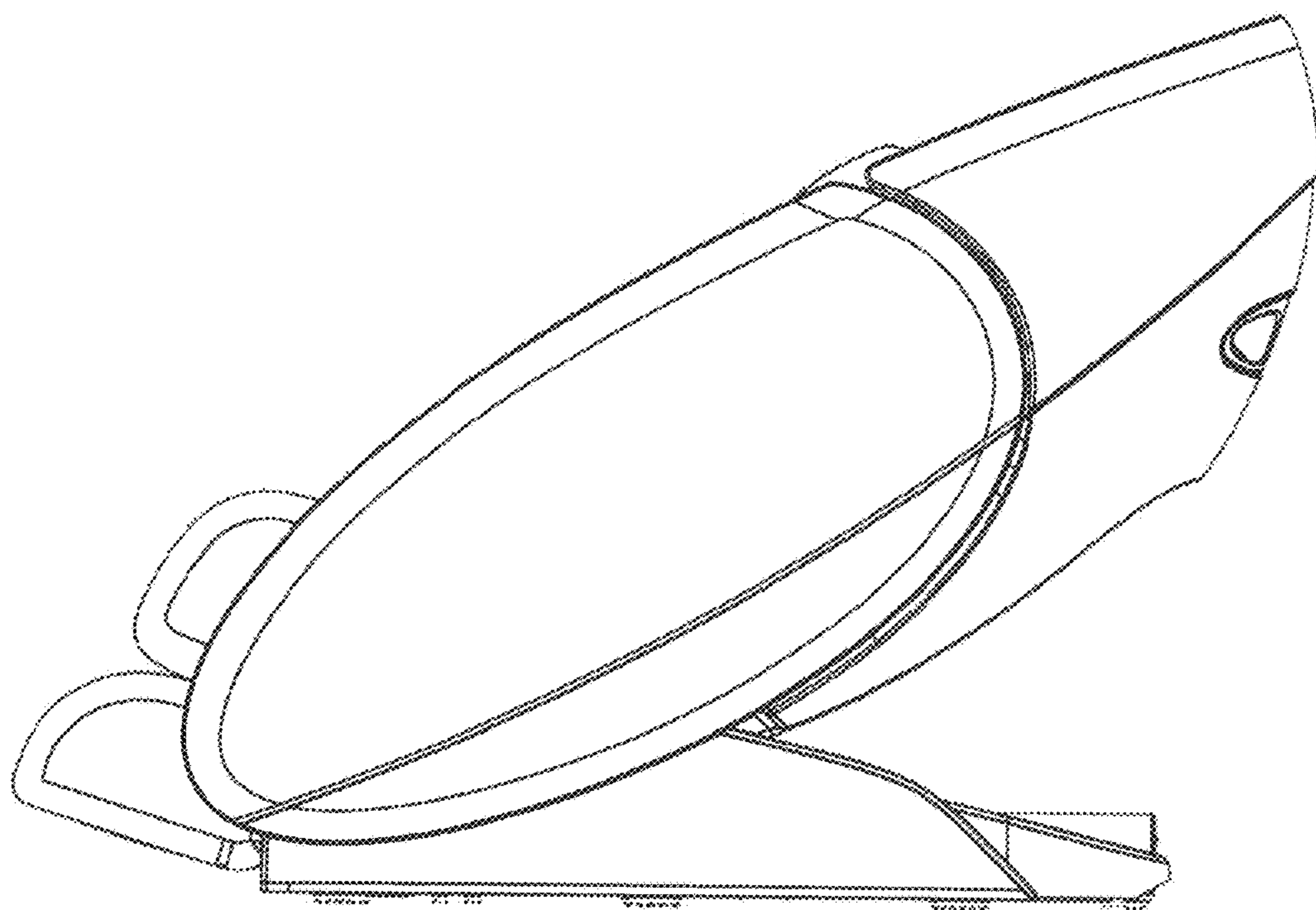


FIG. 7