



US00D796217S

(12) **United States Design Patent**  
**Meoli**

(10) **Patent No.:** **US D796,217 S**

(45) **Date of Patent:** **\*\* Sep. 5, 2017**

- (54) **CHAIR**
- (71) Applicant: **Rudy Meoli**, Anaheim, CA (US)
- (72) Inventor: **Rudy Meoli**, Anaheim, CA (US)
- (\*\*) Term: **15 Years**
- (21) Appl. No.: **29/554,236**
- (22) Filed: **Feb. 9, 2016**
- (51) **LOC (10) Cl.** ..... **06-01**
- (52) **U.S. Cl.**  
USPC ..... **D6/336; D6/368**
- (58) **Field of Classification Search**  
USPC ..... D6/334, 335, 336, 360, 361, 367, 368,  
D6/371-375, 379-381, 716, 716.1-716.8  
CPC .... A47C 7/00; A47C 7/62; A47C 7/18; A47C  
7/54; A47C 4/00; A47C 4/028; A47C  
4/28; A47C 3/16; A47C 3/04; A47C 3/12;  
A47C 1/02; A47C 1/14  
See application file for complete search history.

4,566,731	A *	1/1986	Marchesini	.....	A47C 4/32
					297/440.11
5,873,624	A *	2/1999	Simpson	.....	A47C 7/70
					297/173
D456,628	S *	5/2002	Satoshi	.....	D6/368
D522,263	S *	6/2006	Hart	.....	D6/368
D536,886	S *	2/2007	Hart	.....	D6/336
D593,759	S *	6/2009	Oliphant	.....	A47C 4/286
					D6/335
D631,673	S *	2/2011	Schulenberg	.....	D6/338
D683,155	S *	5/2013	Chen	.....	D6/368
D691,821	S *	10/2013	Mercieca	.....	D6/368
D710,121	S *	8/2014	Citterio	.....	D6/368
9,332,849	B2 *	5/2016	Wagner	.....	A47C 7/021
2014/0015287	A1 *	1/2014	Zhu	.....	A47C 4/28
					297/35
2015/0054314	A1 *	2/2015	Grace	.....	A47C 7/70
					297/45

\* cited by examiner

*Primary Examiner* — Deanna L Pratt  
(74) *Attorney, Agent, or Firm* — QuickPatents, LLC;  
Kevin Prince

(57) **CLAIM**

The ornamental design for chair, as shown and described.

(56) **References Cited**

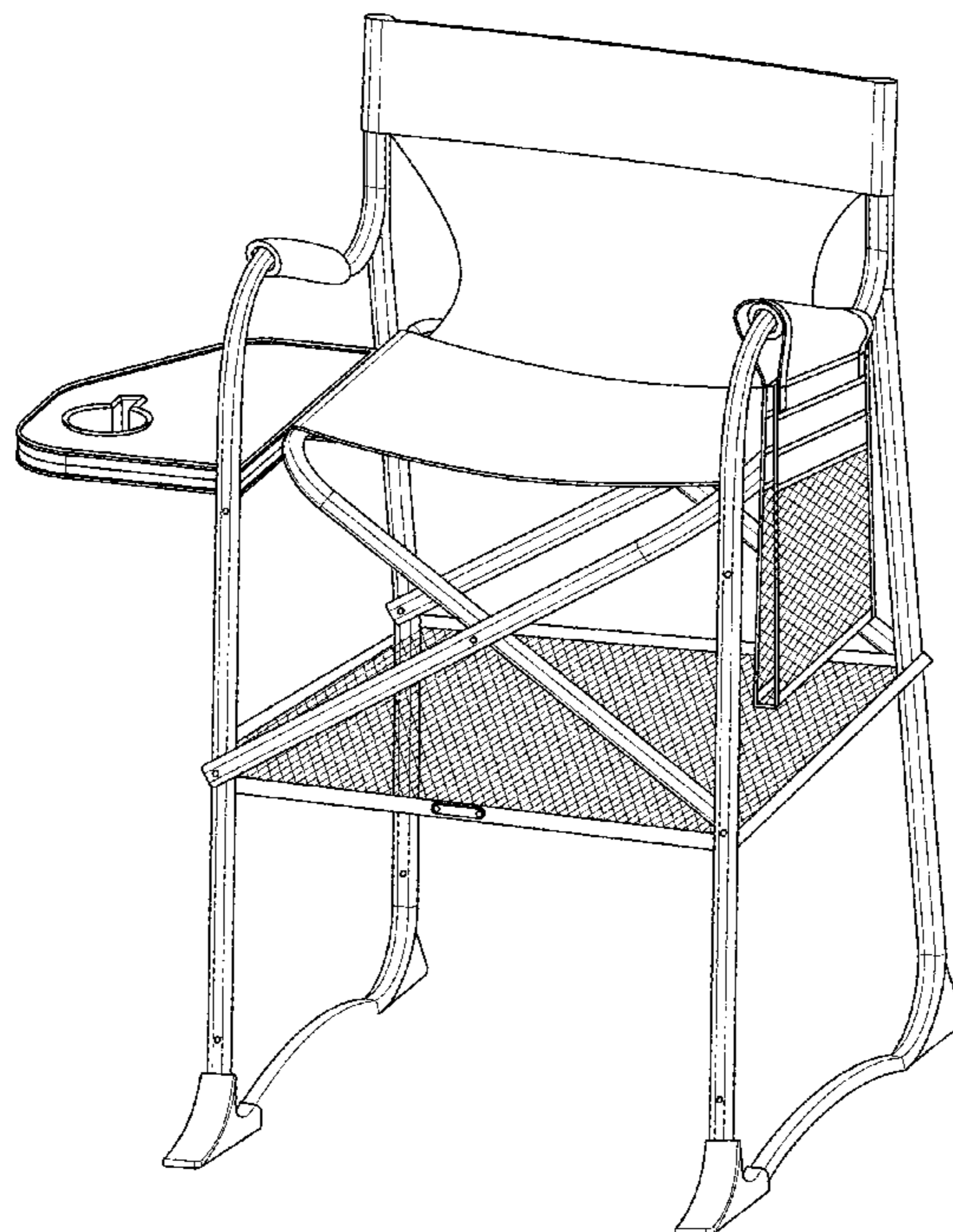
U.S. PATENT DOCUMENTS

2,096,237	A *	10/1937	Frey	.....	A47C 4/283
					297/45
4,065,173	A *	12/1977	Gittings	.....	A47C 4/283
					16/366
4,105,244	A *	8/1978	Colby	.....	A47C 4/283
					297/440.11
D261,577	S *	11/1981	Heritage	.....	D6/338
D261,578	S *	11/1981	Heritage	.....	D6/338
D261,579	S *	11/1981	Heritage	.....	D6/341
D265,444	S *	7/1982	Nii	.....	D6/373
D277,813	S *	3/1985	Grady	.....	D6/349

**DESCRIPTION**

FIG. 1 is a perspective view of the chair;  
FIG. 2 is a right side elevational view of the chair;  
FIG. 3 is a left side elevational view of the chair;  
FIG. 4 is a front view of the chair;  
FIG. 5 is a rear view of the chair;  
FIG. 6 is a top view of the chair; and,  
FIG. 7 is bottom view of the chair.

**1 Claim, 6 Drawing Sheets**



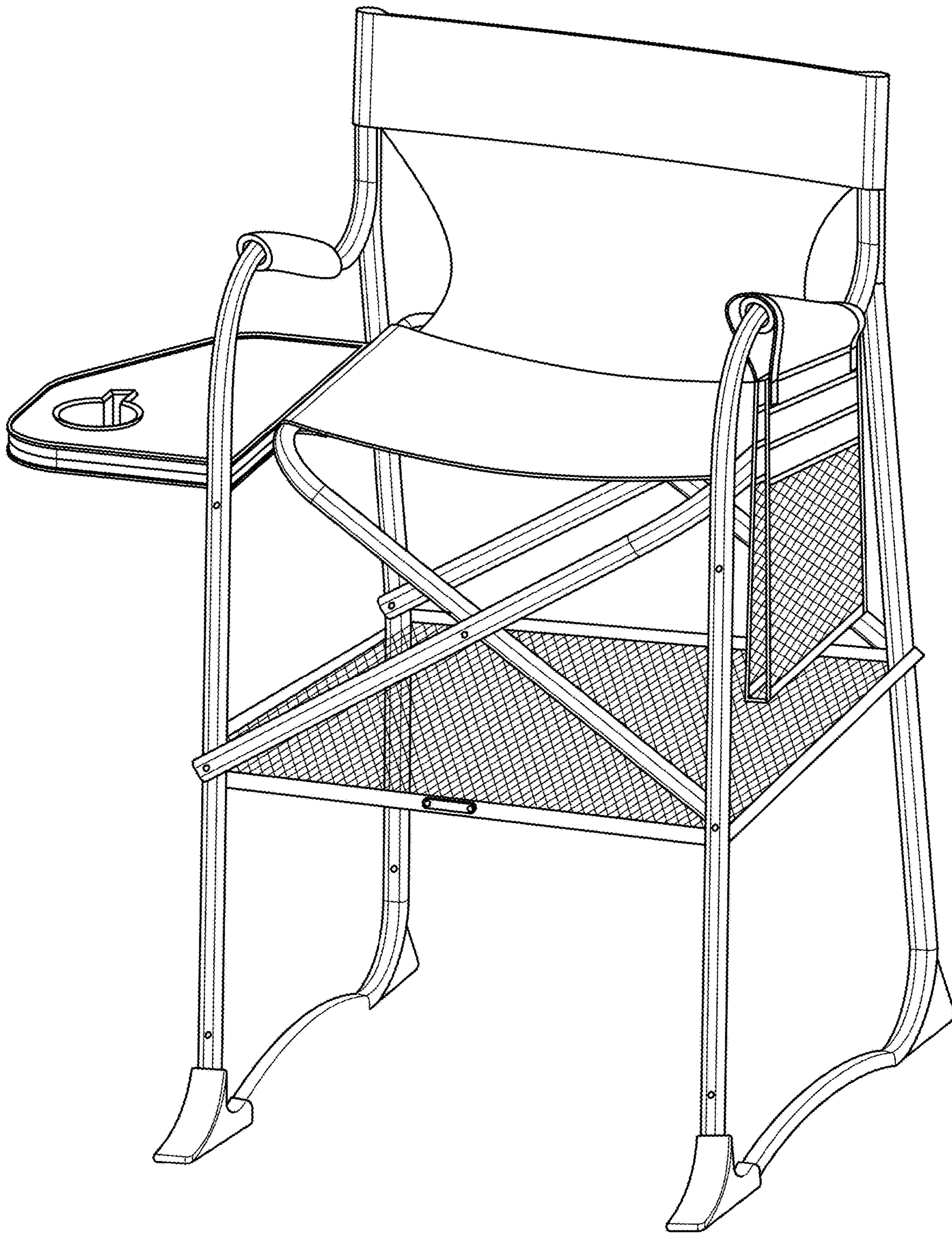


FIG. 1



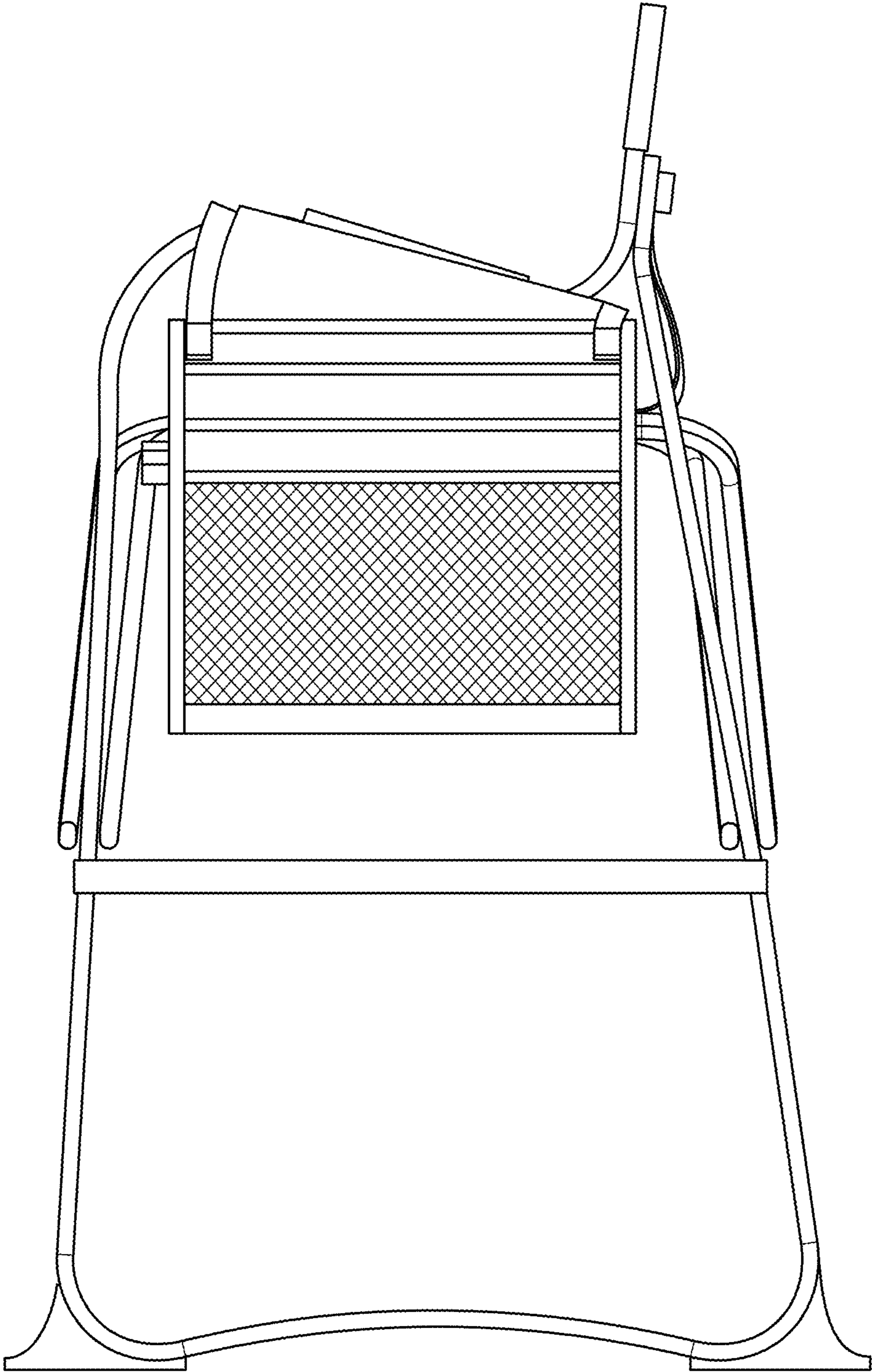


FIG. 2

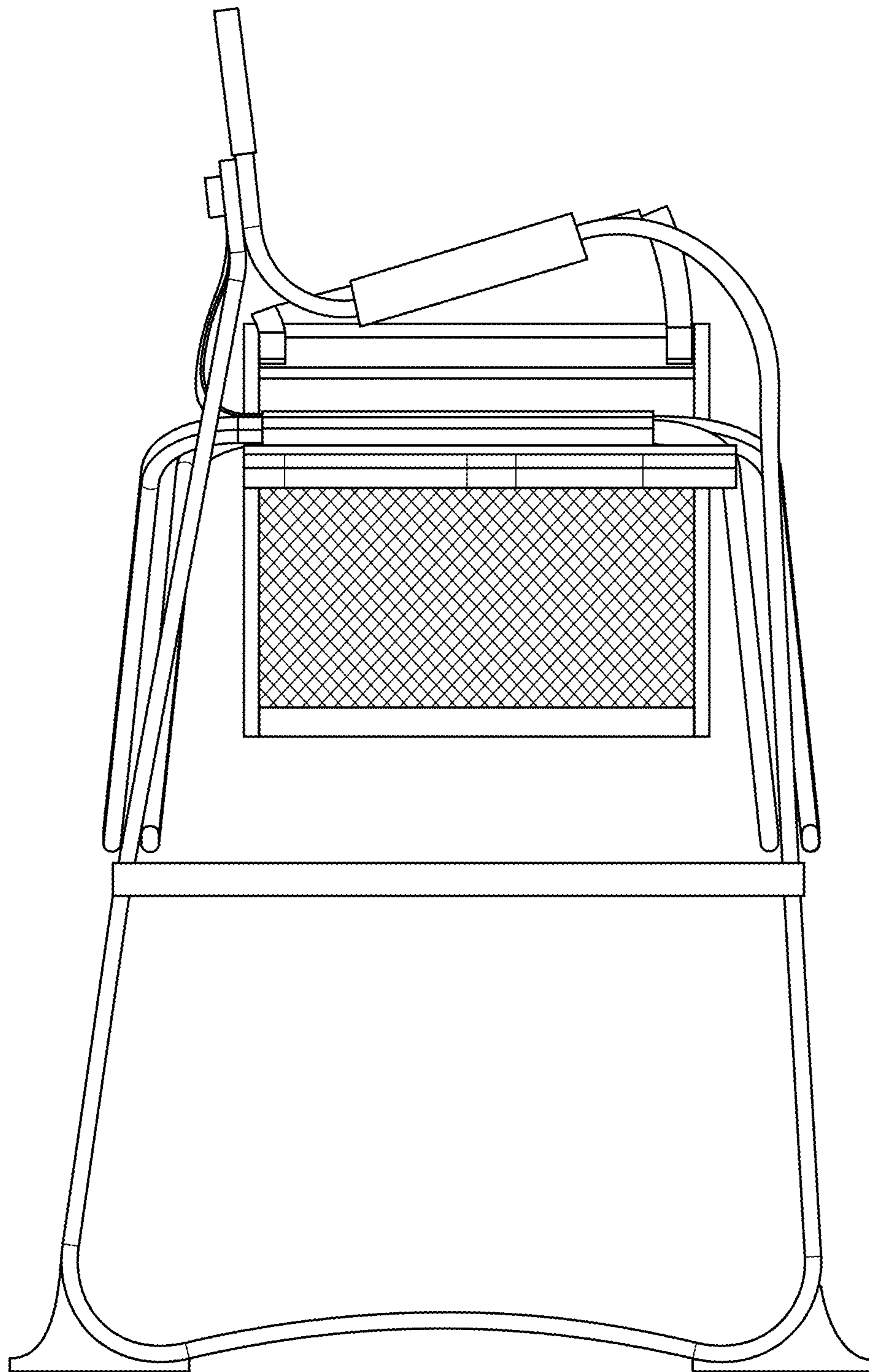


FIG. 3

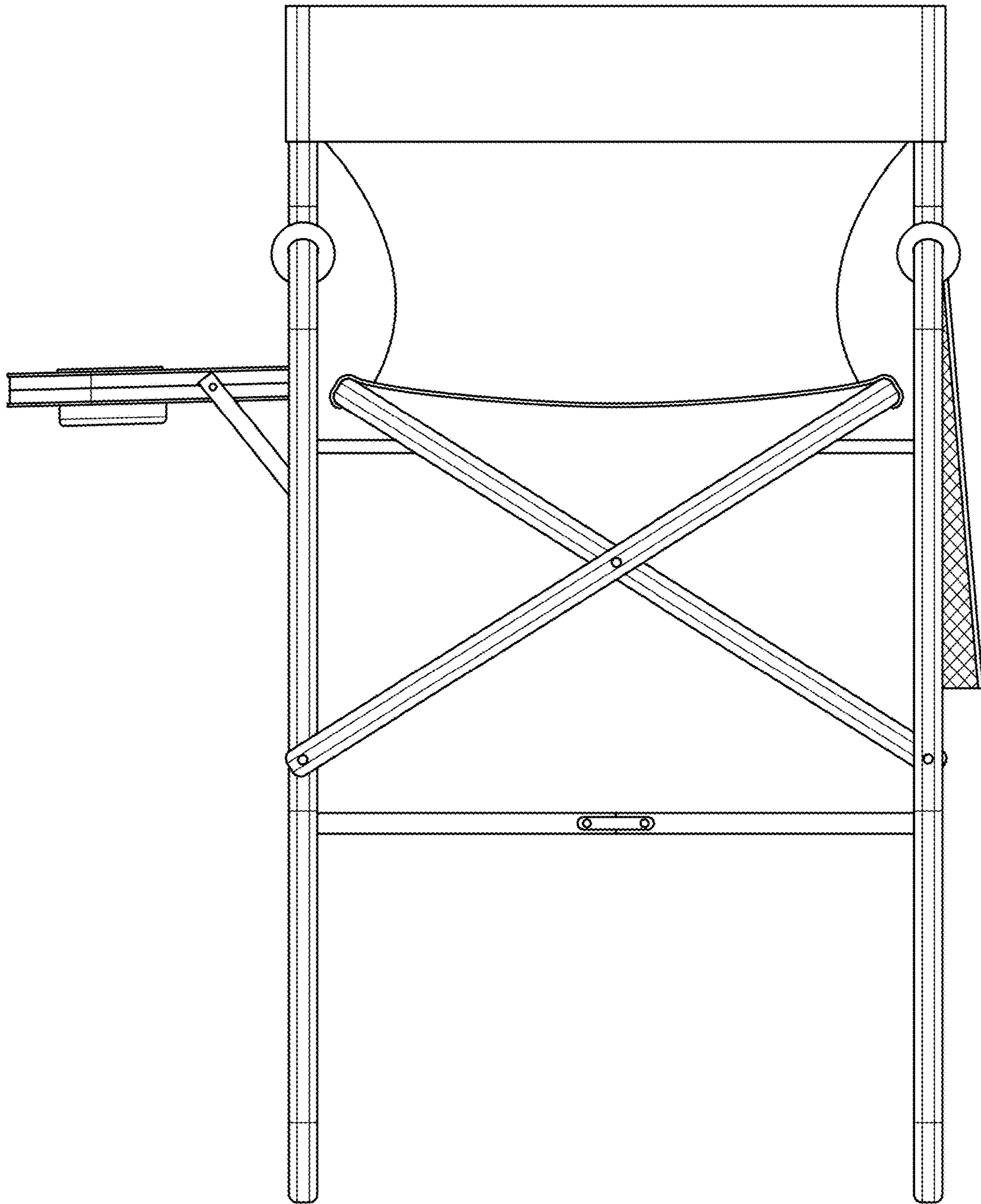


FIG. 4

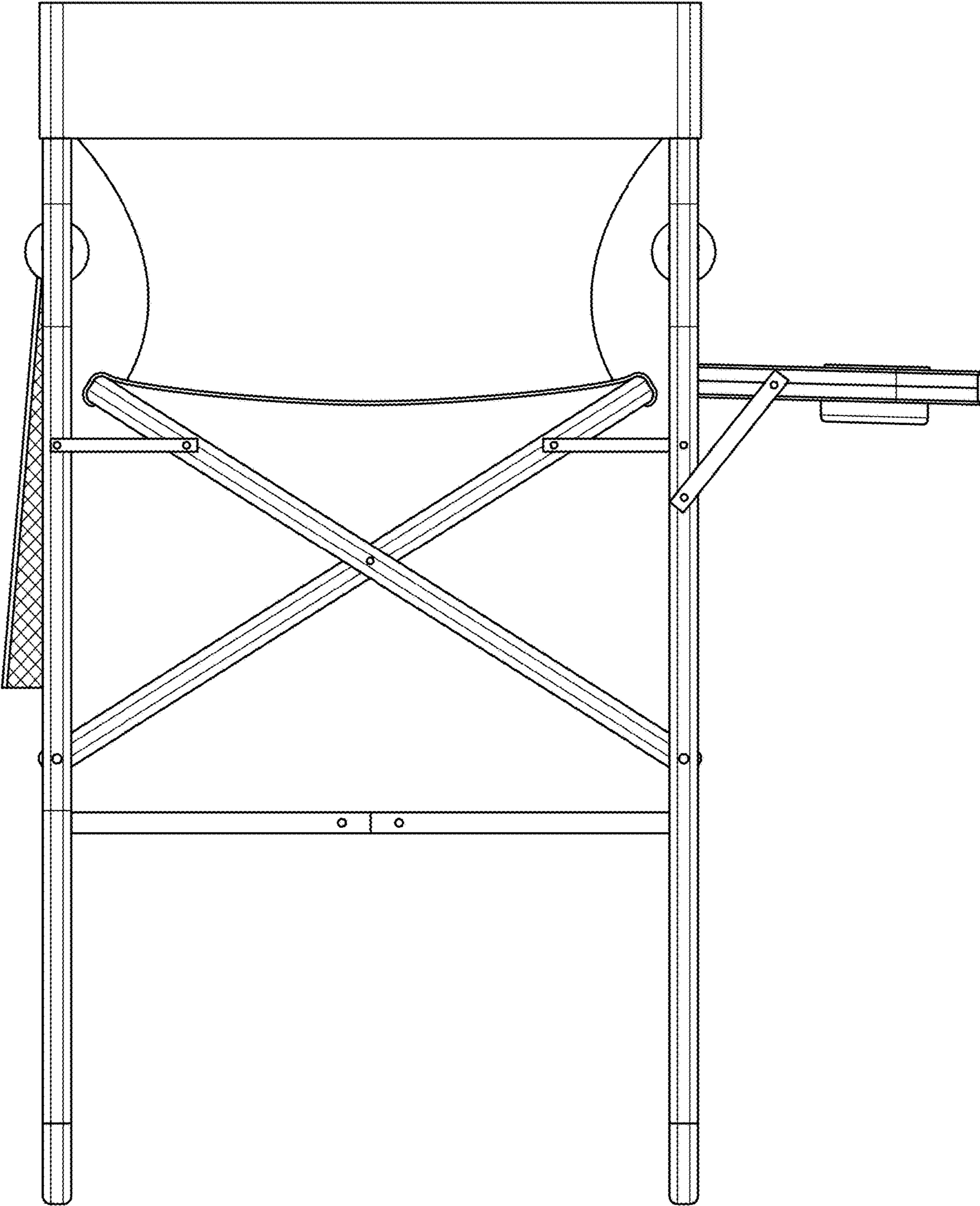


FIG. 5



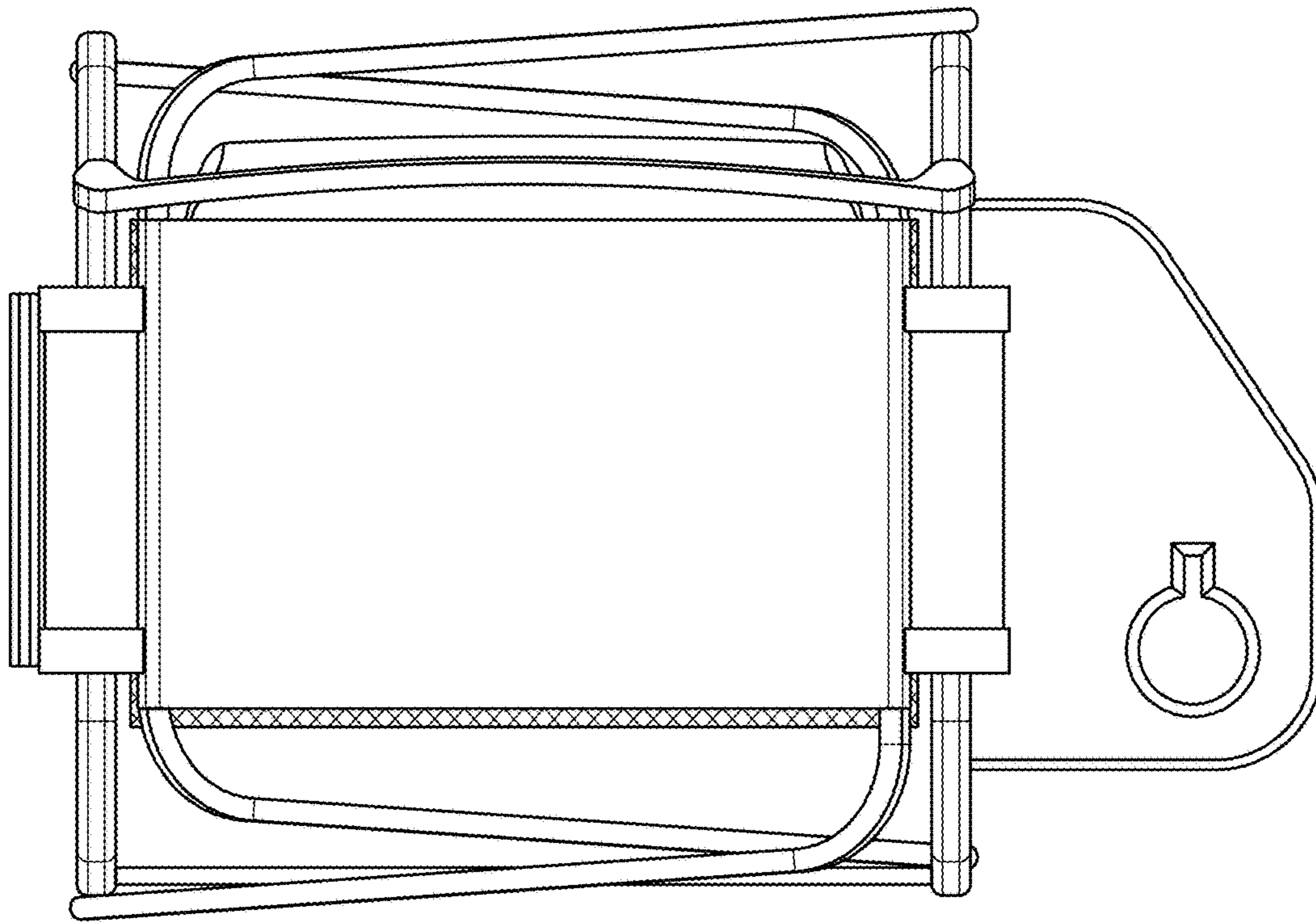


FIG. 6

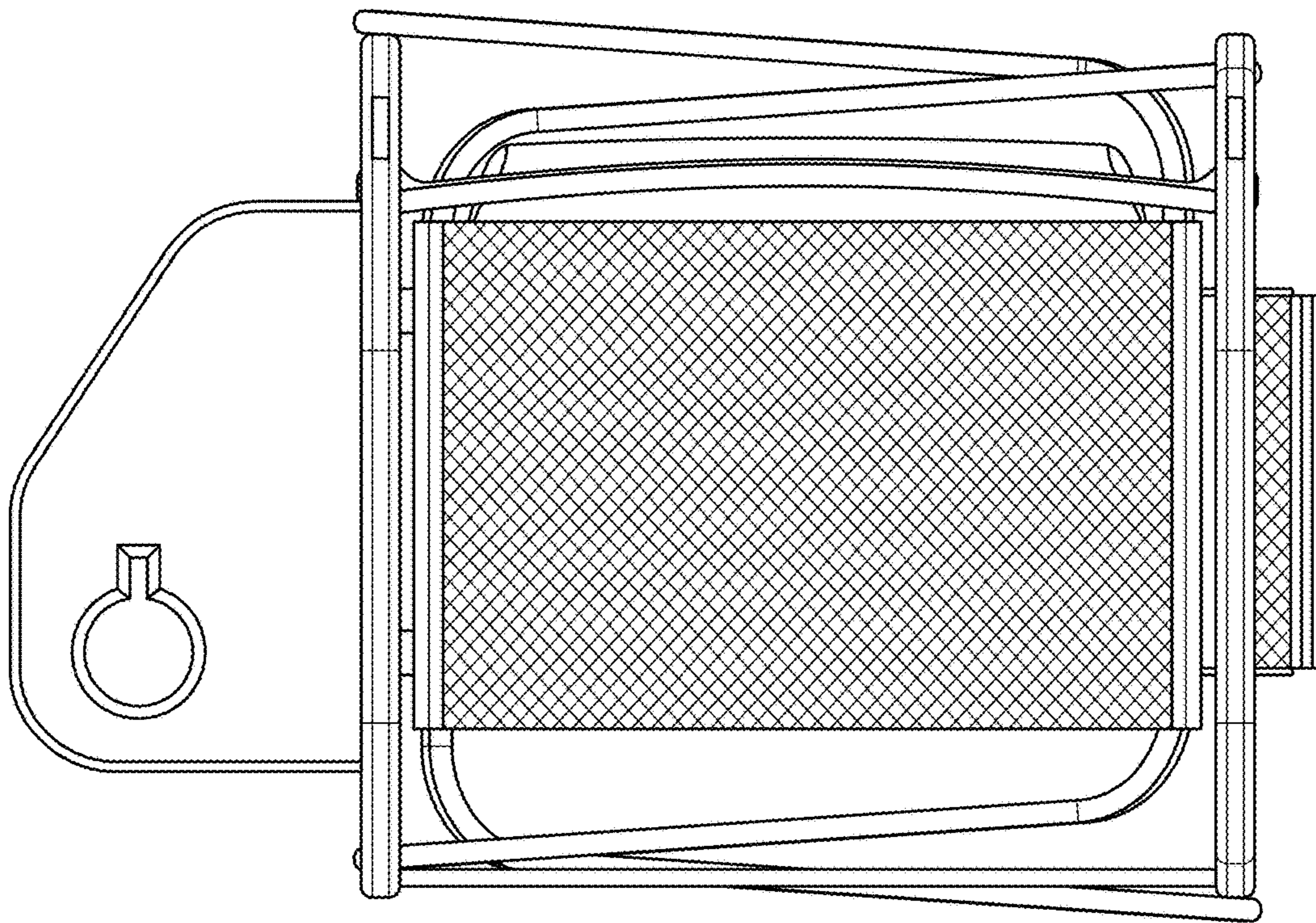


FIG. 7