



US00D796216S

(12) **United States Design Patent**
Rockwell et al.

(10) **Patent No.:** **US D796,216 S**

(45) **Date of Patent:** **** Sep. 5, 2017**

(54) **SCREEN**
(71) Applicant: **Knoll, Inc.**, East Greenville, PA (US)
(72) Inventors: **David Rockwell**, New York, NY (US);
Barry Richards, New York, NY (US)
(73) Assignee: **Knoll, Inc.**, East Greenville, PA (US)
(**) Term: **15 Years**

(21) Appl. No.: **29/562,119**
(22) Filed: **Apr. 22, 2016**
(51) **LOC (10) Cl.** **06-06**
(52) **U.S. Cl.**
USPC **D6/332**
(58) **Field of Classification Search**
USPC D6/332; D25/58
CPC E04B 2/74; E04B 2/7401; E04B 2/7405;
E04B 2/7407; E04B 2/7416; E04B
2/7422; E04B 2/7433; E04B 2/7437;
E04B 2/76; E04B 2/766; E04B 2/7809;
E04B 2002/7487; E04B 2/7438; E04B
1/8227; E04B 2/7409; E04B 2002/7479;
A47B 2220/02; A47G 5/00
See application file for complete search history.

(56) **References Cited**
U.S. PATENT DOCUMENTS
3,497,029 A * 2/1970 Stark E04B 1/8227
181/30
3,592,288 A * 7/1971 Walter E04B 1/8227
160/351
3,605,851 A * 9/1971 Miles et al. E04B 2/74
160/135
3,713,474 A * 1/1973 Orlando E04B 2/7409
160/351
3,718,306 A * 2/1973 Murray E04B 2/7422
248/188.8
3,949,827 A * 4/1976 Witherspoon E04B 2/7437
181/284

4,127,196 A * 11/1978 Boucher A47F 5/0815
160/351
4,158,936 A * 6/1979 Fulton E04B 2/7425
160/135
4,172,334 A * 10/1979 Nielsen A47F 5/105
40/605
D257,601 S * 12/1980 Cyplik D6/332
D257,602 S * 12/1980 Cyplik D6/332
D257,604 S * 12/1980 Cyplik D6/332
(Continued)

OTHER PUBLICATIONS

Office Partition Screens—Curved (on-line), dated Mar. 18, 2015.
Retrieved from Internet May 1, 2017, URL: <https://web-beta.archive.org/web/20150318145527/https://www.xldisplays.co.uk/categories/Office-Partition-Screens/> (1 page).
(Continued)

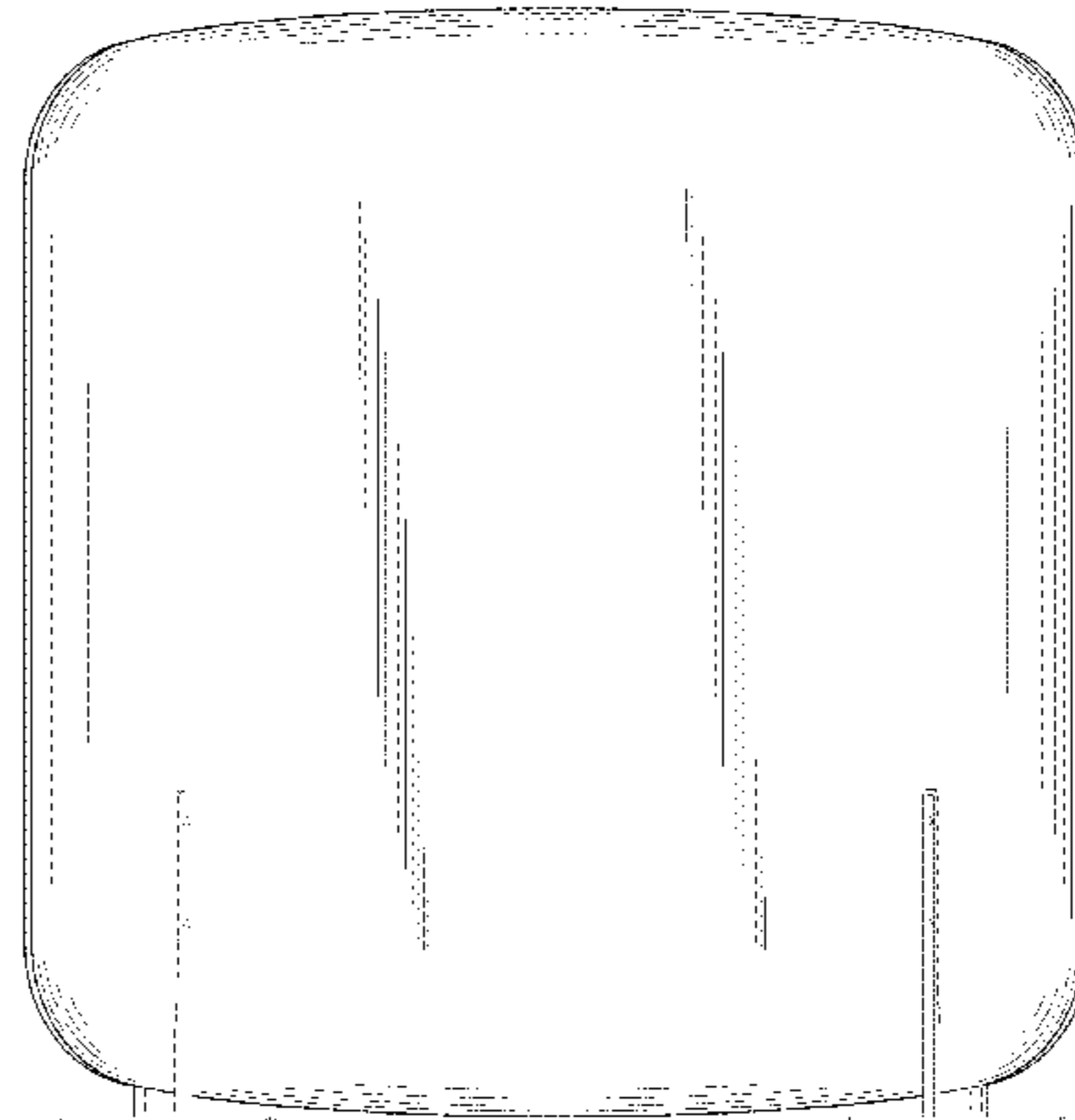
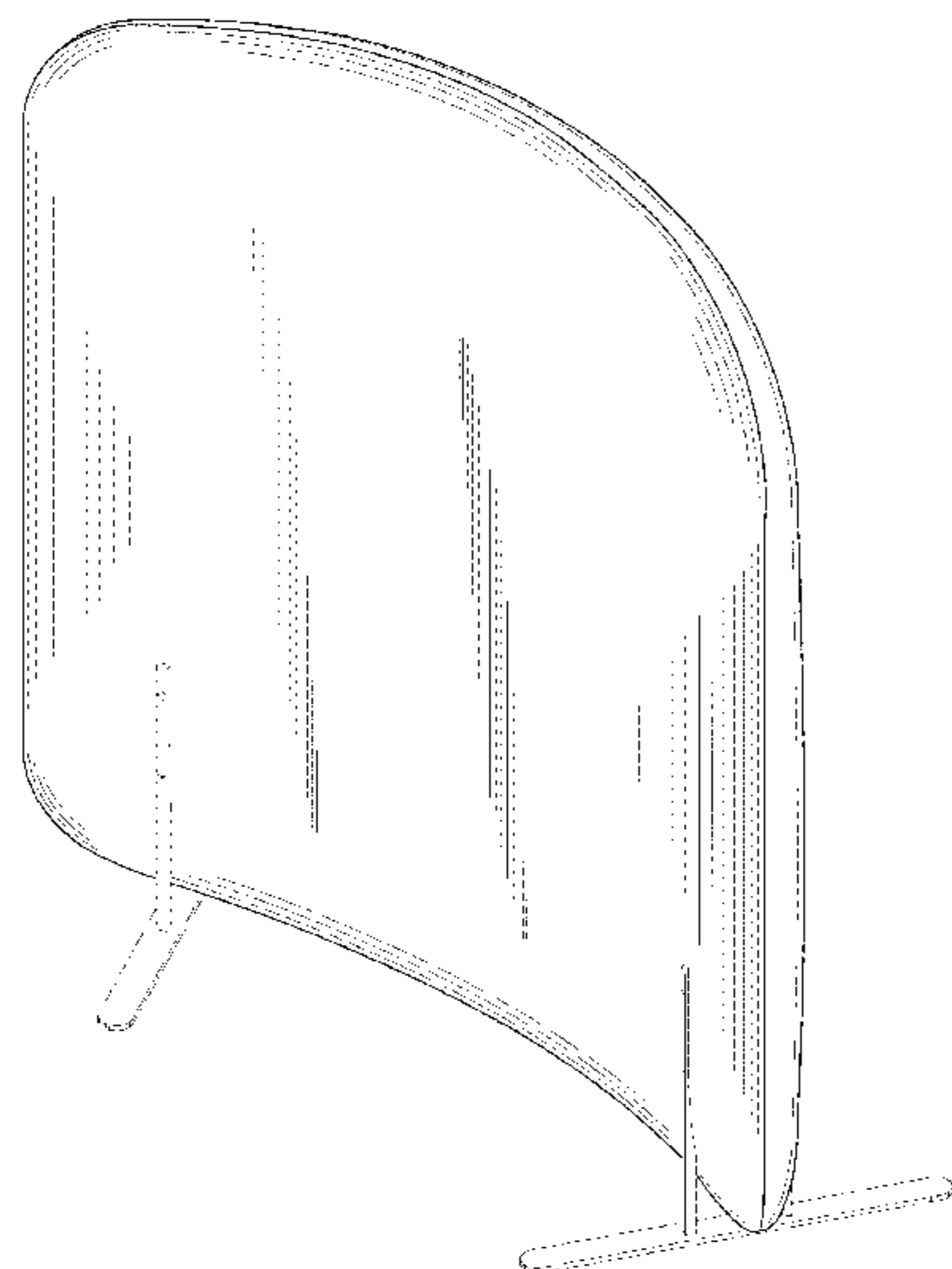
Primary Examiner — Vy Koenig
Assistant Examiner — Kimberly Barnes
(74) *Attorney, Agent, or Firm* — Buchanan Ingersoll &
Rooney PC

(57) **CLAIM**
The ornamental design for a screen, as shown and described.

DESCRIPTION

FIG. 1 is a perspective view of a screen showing our new design;
FIG. 2 is a front elevational view thereof;
FIG. 3 is a rear elevational view thereof;
FIG. 4 is a top plan view thereof;
FIG. 5 is a bottom plan view thereof;
FIG. 6 is a left side elevational view thereof; and,
FIG. 7 is a right side elevational view thereof.
The broken lines shown in the drawing figures illustrate portions of the screen that form no part of the claimed design.

1 Claim, 5 Drawing Sheets



(56)

References Cited

U.S. PATENT DOCUMENTS

D257,605 S * 12/1980 Cyplik D6/332
D257,606 S * 12/1980 Cyplik D6/332
D257,812 S * 1/1981 Cyplik D6/332
D275,579 S * 9/1984 Brown D20/10
4,508,231 A * 4/1985 Honickman A47B 57/34
160/236
D279,942 S * 8/1985 Vasquez D21/800
D400,361 S * 11/1998 Sobrito 160/351
D450,465 S * 11/2001 Overthun D6/332
D481,546 S * 11/2003 Dowd D6/332
D560,072 S * 1/2008 Willis D6/332
D653,862 S * 2/2012 Hairston D6/332
9,403,400 B2 * 8/2016 McManus
9,414,697 B2 * 8/2016 Parshad A47G 5/00
D782,835 S * 4/2017 Parshad D6/332

OTHER PUBLICATIONS

Shade by Saba Italia (on-line), production year 2014. Retrieved from Internet May 1, 2017, URL: <http://sabaitalia.it/prodotto/shade/> (4 pages).*

Superior Jubilee 62mm Thick Acoustic Curved Office Screens (on-line), no date available. Retrieved from Internet May 1, 2017, URL: <http://www.scribirect.com/OFFICE/superior-jubilee-62mm-thick-acoustic-curved-office-screens.html> (1 page).*

* cited by examiner

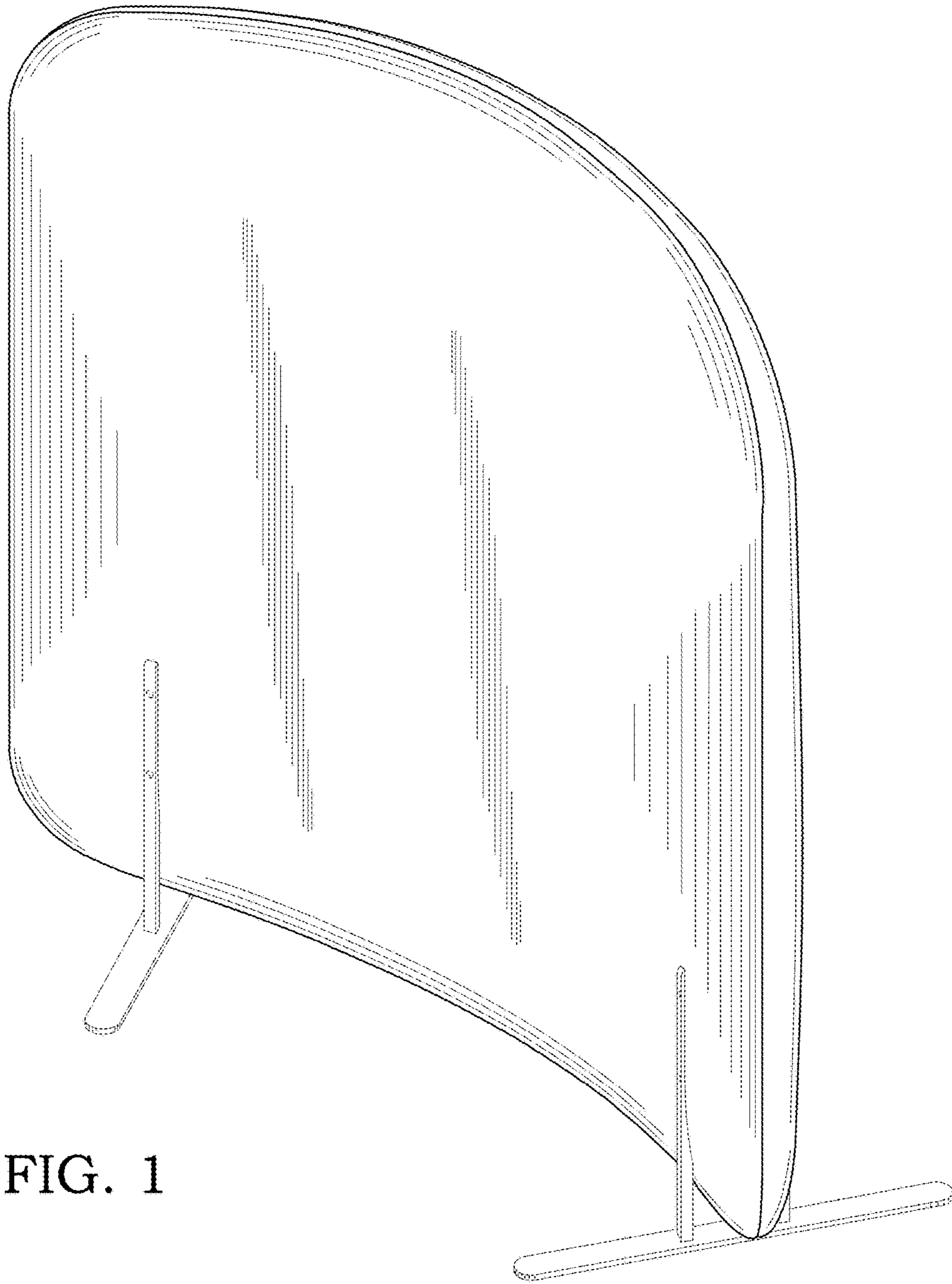


FIG. 1

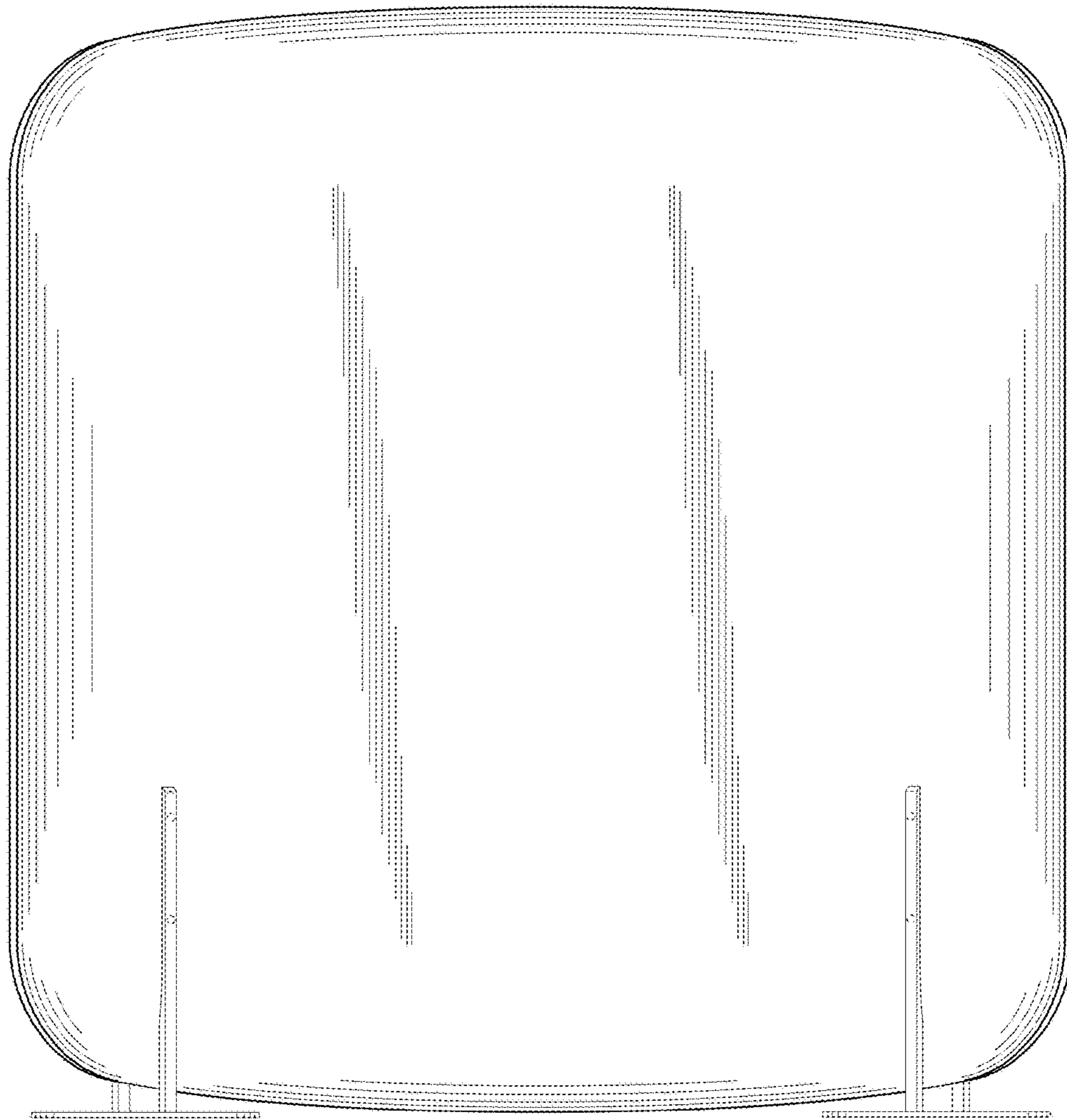


FIG. 2

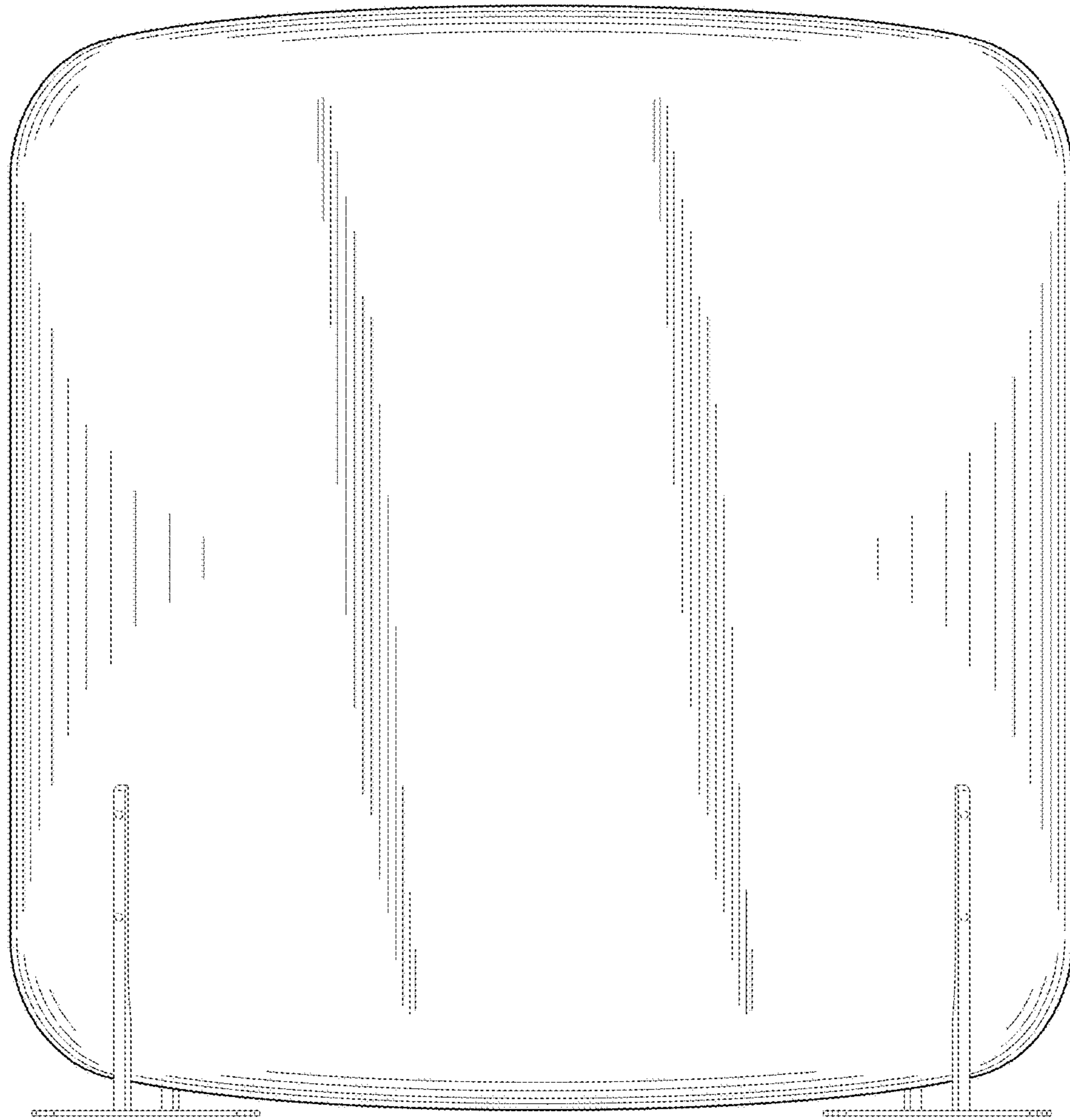


FIG. 3

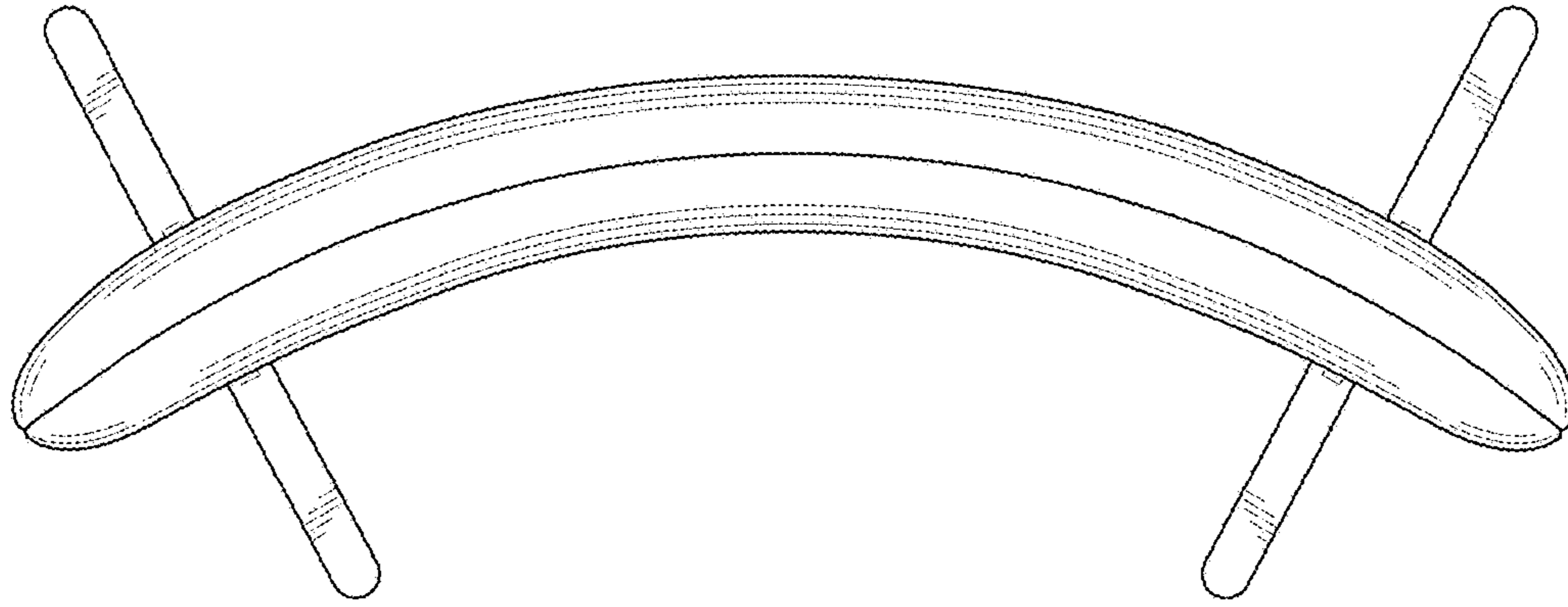


FIG. 4

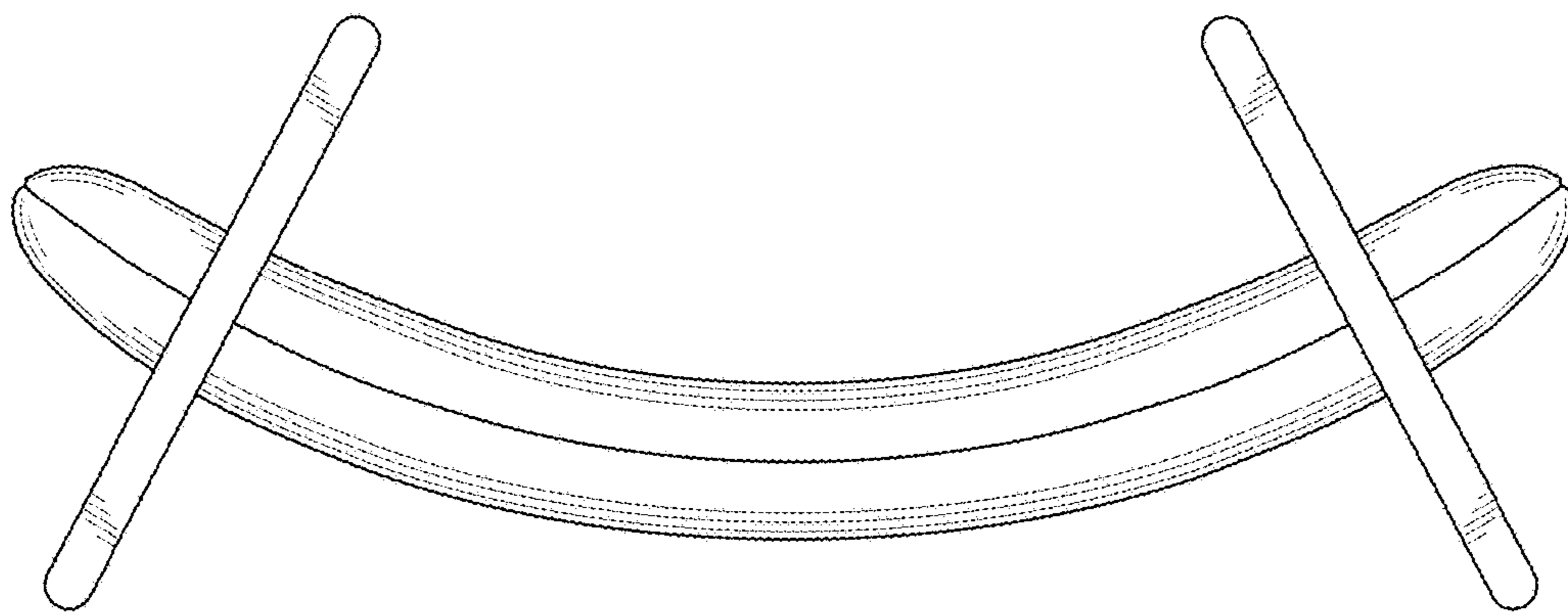


FIG. 5

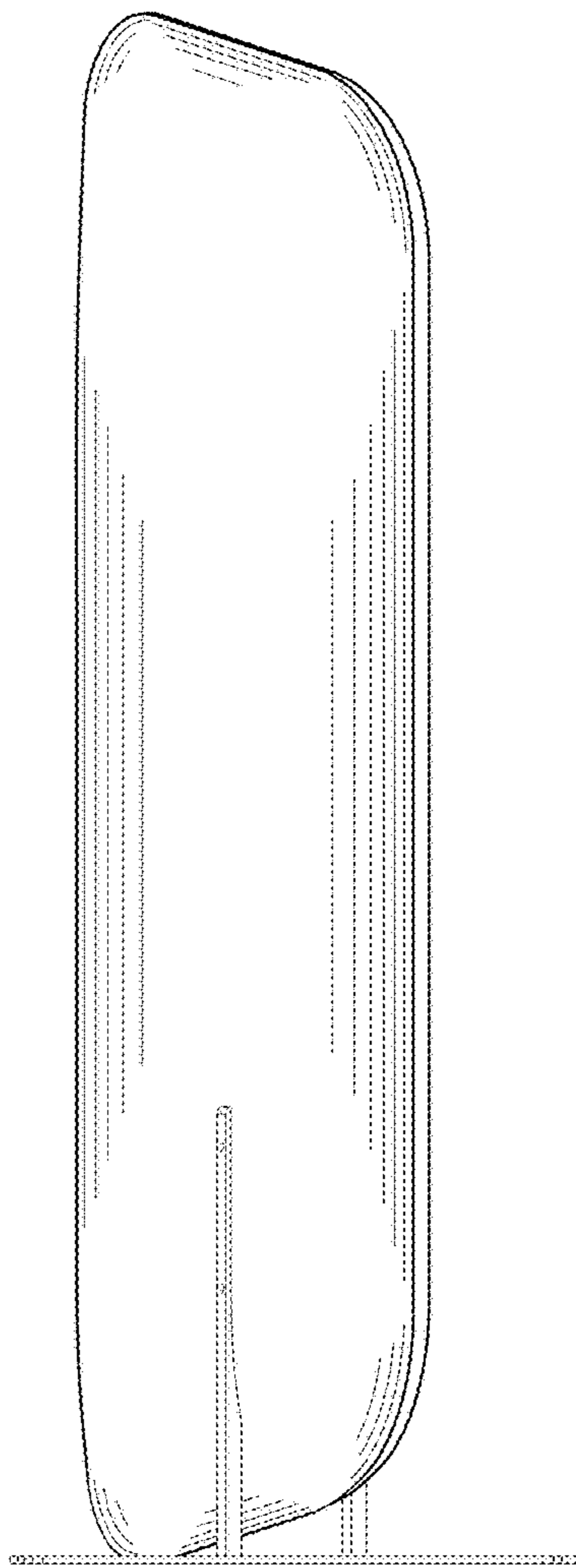


FIG. 6

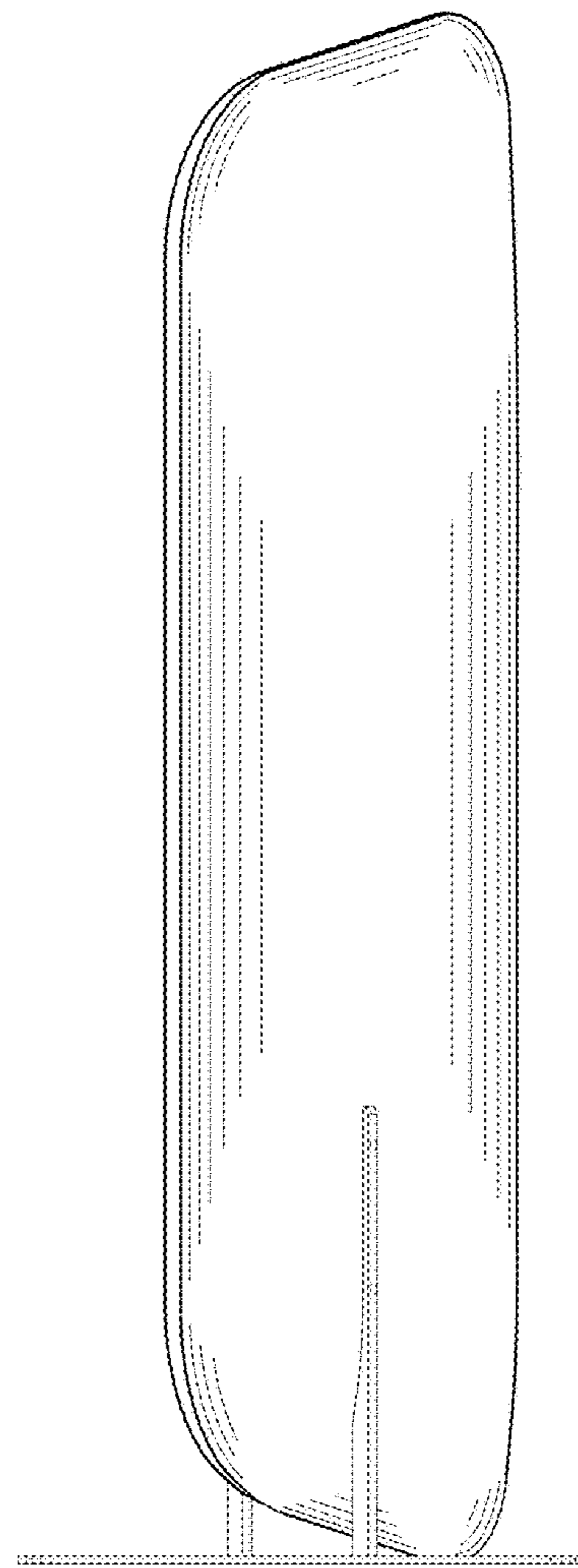


FIG. 7