



US00D796212S

(12) **United States Design Patent** (10) **Patent No.:** **US D796,212 S**
Thornton (45) **Date of Patent:** **** Sep. 5, 2017**

- (54) **SKIN BRUSH**
- (71) Applicant: **Pamela M. Thornton**, Swansea, MA (US)
- (72) Inventor: **Pamela M. Thornton**, Swansea, MA (US)
- (73) Assignee: **MYSKINCAREGIRL, LLC**, Swansea, MA (US)
- (**) Term: **15 Years**
- (21) Appl. No.: **29/560,356**
- (22) Filed: **Apr. 6, 2016**
- (51) **LOC (10) Cl.** **04-02**
- (52) **U.S. Cl.**
USPC **D4/127**
- (58) **Field of Classification Search**
USPC D4/122, 127, 131, 132, 133, 134, 135, D4/130, 199, 138; D24/211, 212, 213, D24/214, 215, 218; D28/7, 63; D32/40, D32/43, 45
CPC .. A46B 5/02; A46B 9/02; A46B 9/026; A46B 2200/102; A46B 2200/1006
See application file for complete search history.

(56) **References Cited**

U.S. PATENT DOCUMENTS

1,012,653	A	12/1911	Knickerbocker	
1,491,016	A	4/1924	McGowan	
D89,461	S	3/1933	Aufsesser	
2,153,207	A	4/1939	Petty	
3,870,419	A	3/1975	Sage	
D266,116	S *	9/1982	Deconinck	D4/127
D295,911	S *	5/1988	Zogg	D32/40
5,070,864	A *	12/1991	Lemons	A61H 23/04 239/383
D333,922	S	3/1993	Strickler	
5,378,419	A *	1/1995	Capoccia	A46B 9/02 15/160

5,419,434 A * 5/1995 Capoccia A46B 9/02
206/361

5,438,728 A 8/1995 Kubes
D369,220 S 4/1996 Huang
(Continued)

FOREIGN PATENT DOCUMENTS

CN 300859738 * 12/2008
CN 302940251 * 9/2014
(Continued)

OTHER PUBLICATIONS

Octo Vie Skin Brush [on-line]. First publication date unknown; retrieved from the Internet May 23, 2017. URL: <https://octovieskinbrush.com/>. (5 pages).*

(Continued)

Primary Examiner — Karen E Eldridge Powers
(74) *Attorney, Agent, or Firm* — Chace Ruttenberg & Freedman, LLP

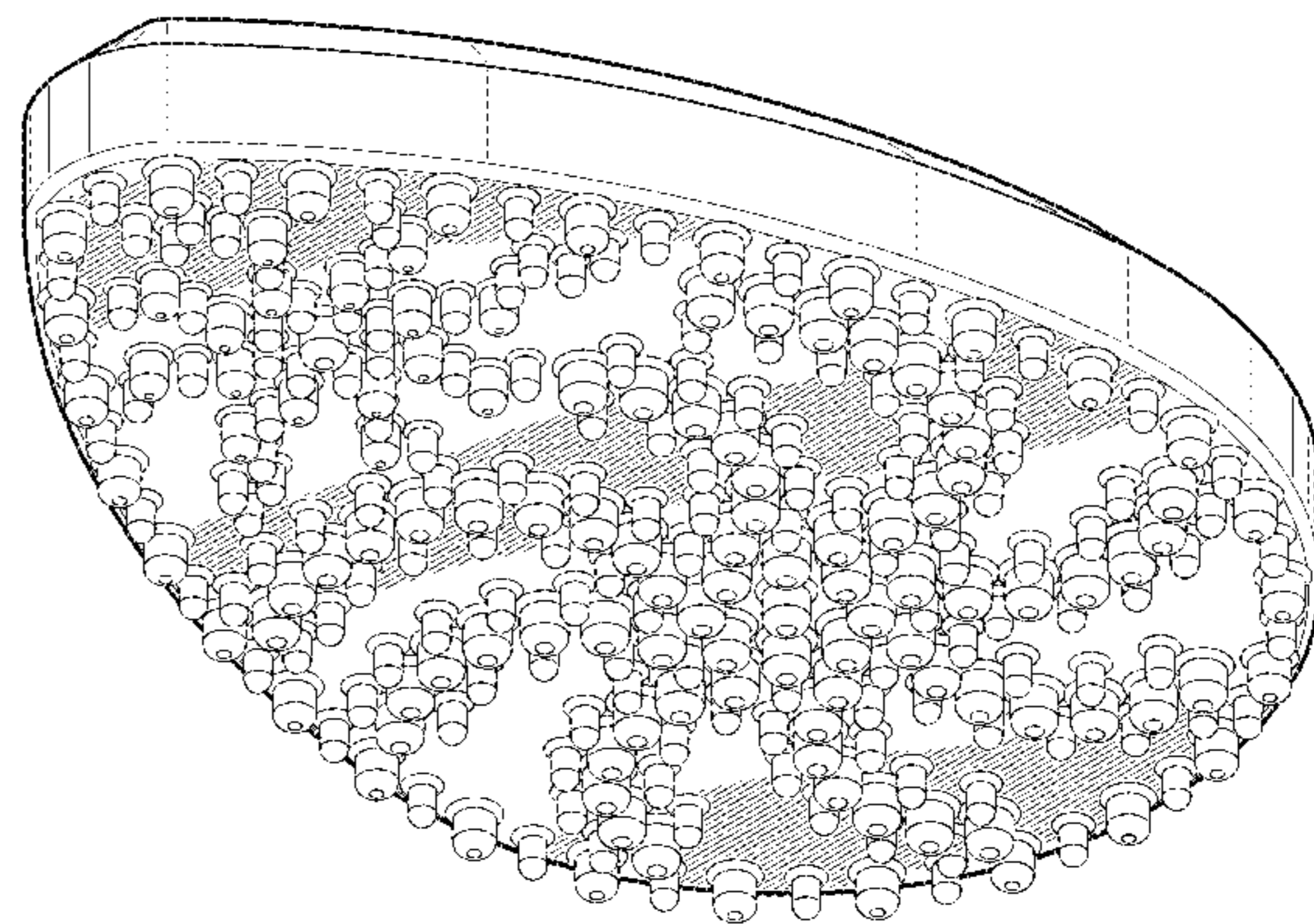
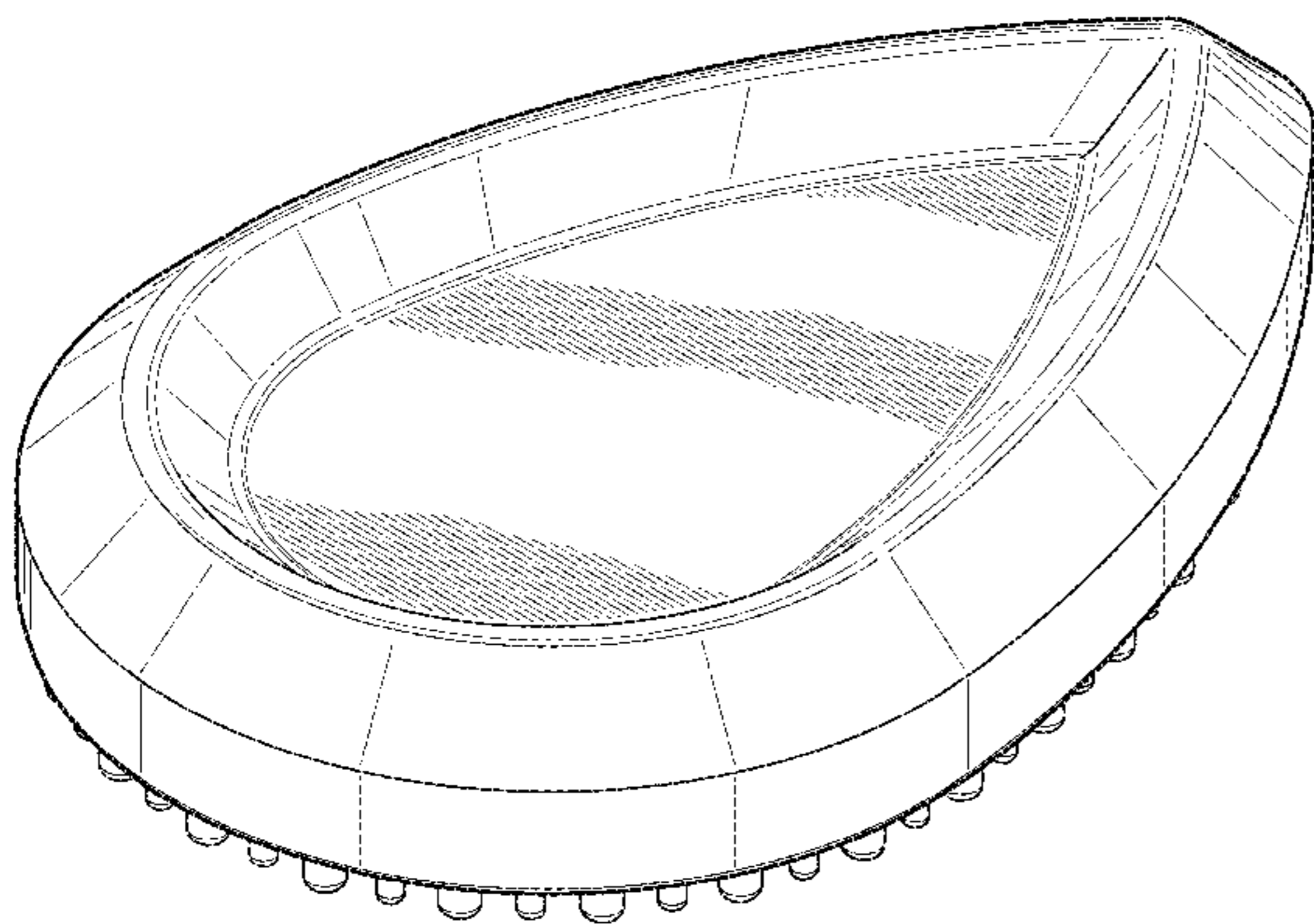
(57) **CLAIM**

The ornamental design for a skin brush, as shown and described.

DESCRIPTION

FIG. 1 is a top left rear perspective view of a skin brush; FIG. 2 is a bottom right front perspective view of a skin brush; FIG. 3 is a left side elevational view of a skin brush design; FIG. 4 is a rear elevational view of a skin brush; FIG. 5 is a right side elevational view of a skin brush; FIG. 6 is a front elevational view of a skin brush; FIG. 7 is a top plan view of a skin brush; and, FIG. 8 is a bottom plan view of a skin brush. Dashed lines represent unclaimed environment and form no part of the claimed design.

1 Claim, 6 Drawing Sheets



(56)

References Cited

U.S. PATENT DOCUMENTS

5,778,481 A 7/1998 Amsden
D405,572 S * 2/1999 Bouchez D32/40
5,915,436 A 6/1999 Johnson
D422,366 S 4/2000 Chen
D440,770 S * 4/2001 Chen D28/63
D514,328 S * 2/2006 Huang D24/211
D538,473 S * 3/2007 Rhoades D28/7
7,500,282 B1 3/2009 Park
D623,802 S * 9/2010 Lee D28/63
D628,707 S 12/2010 Bauerfeind
D640,873 S * 7/2011 Seehoff D4/120
D644,030 S * 8/2011 Gates D4/137
8,272,801 B2 9/2012 Linzell
D687,200 S * 7/2013 Bickel D32/40
8,745,807 B2 6/2014 Varner
D716,961 S 11/2014 Sedie
D773,064 S * 11/2016 Sedic D24/214
D774,266 S * 12/2016 Baldwin D32/40
D777,448 S * 1/2017 Saputo D4/119
2010/0043162 A1 2/2010 Zimmermann
2014/0194900 A1 7/2014 Sedie
2016/0235272 A1 * 8/2016 Azelton A47K 5/1201

FOREIGN PATENT DOCUMENTS

CN 303171538 * 4/2015
CN 304060219 * 2/2017
EM 002122663-0001 * 11/2012
EM 003149616-0001 * 6/2016
JP D1205335 * 5/2004
JP D1205336 * 5/2004

OTHER PUBLICATIONS

Facebook entry for “The Spectator,” [on-line], entitled “New skin care product released by Swansea resident.” Published on the Internet Nov. 4, 2016; retrieved from the Internet May 23, 2017. URL: <<https://www.facebook.com/SomersetSwanseaSpectator/posts/1373340696010839>>. (1 page).*

Octo Vie Skin & Beauty Brush—Reviews [on-line]. Oldest review dated Jul. 30, 2016. Retrieved from the Internet May 23, 2017. URL: <<https://www.facebook.com/pg/octovie/reviews/>>. (3 pages).*

* cited by examiner

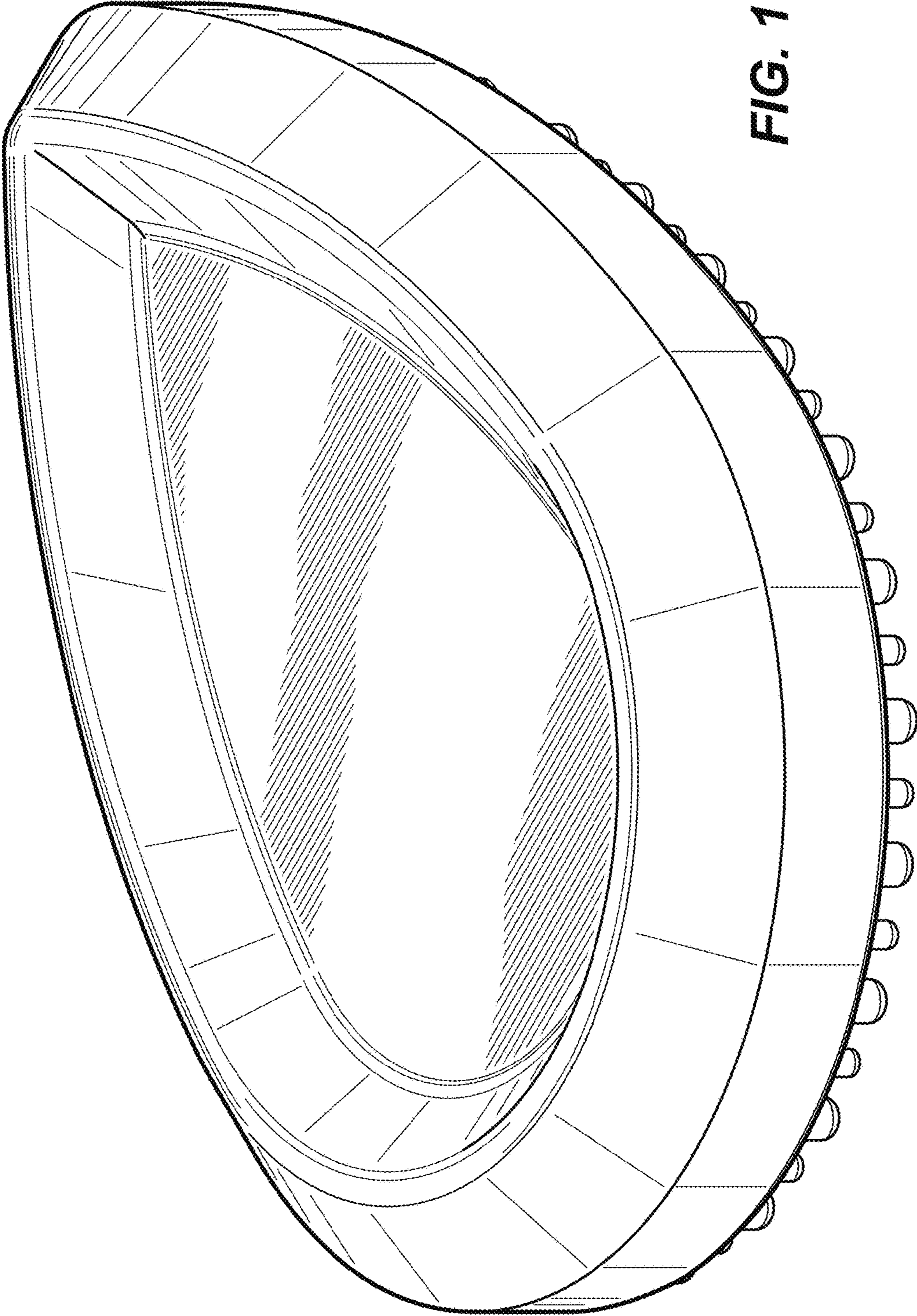


FIG. 1

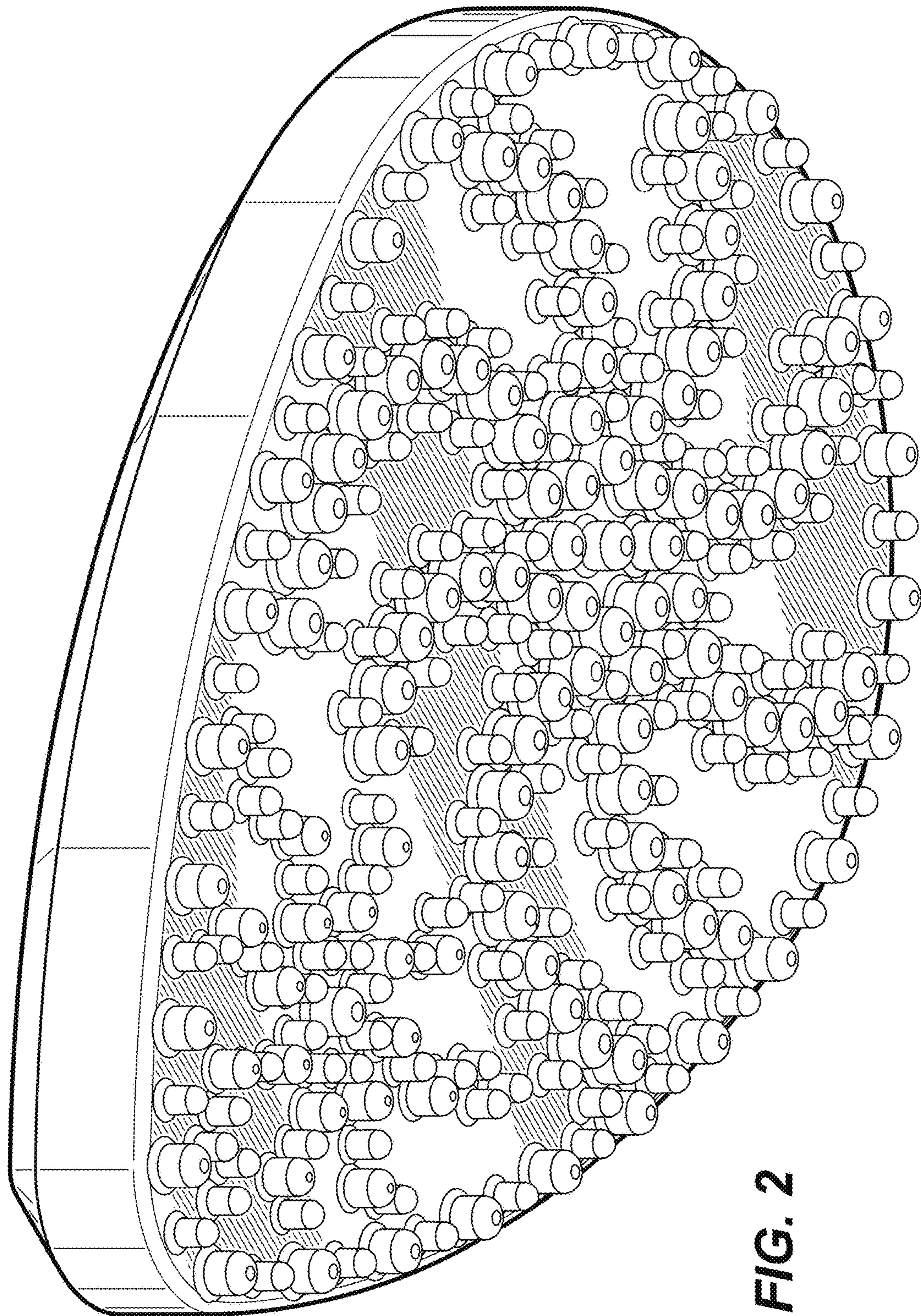


FIG. 2

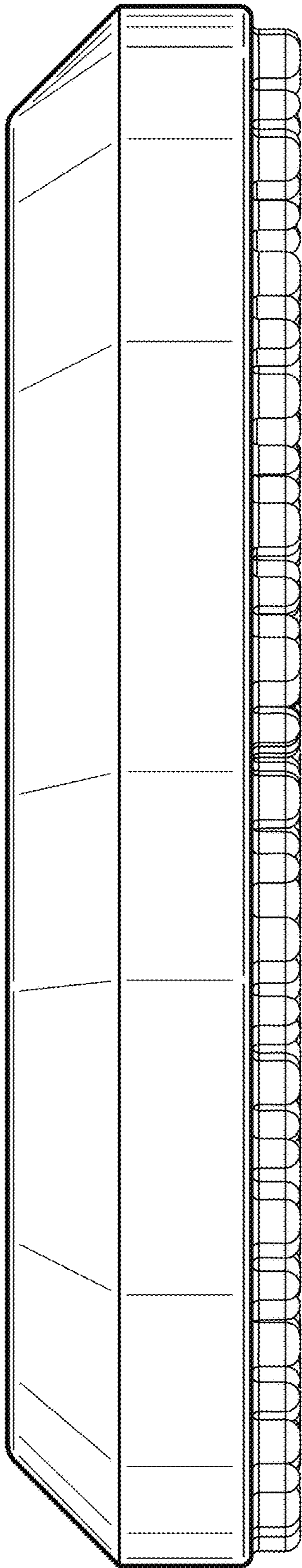


FIG. 3

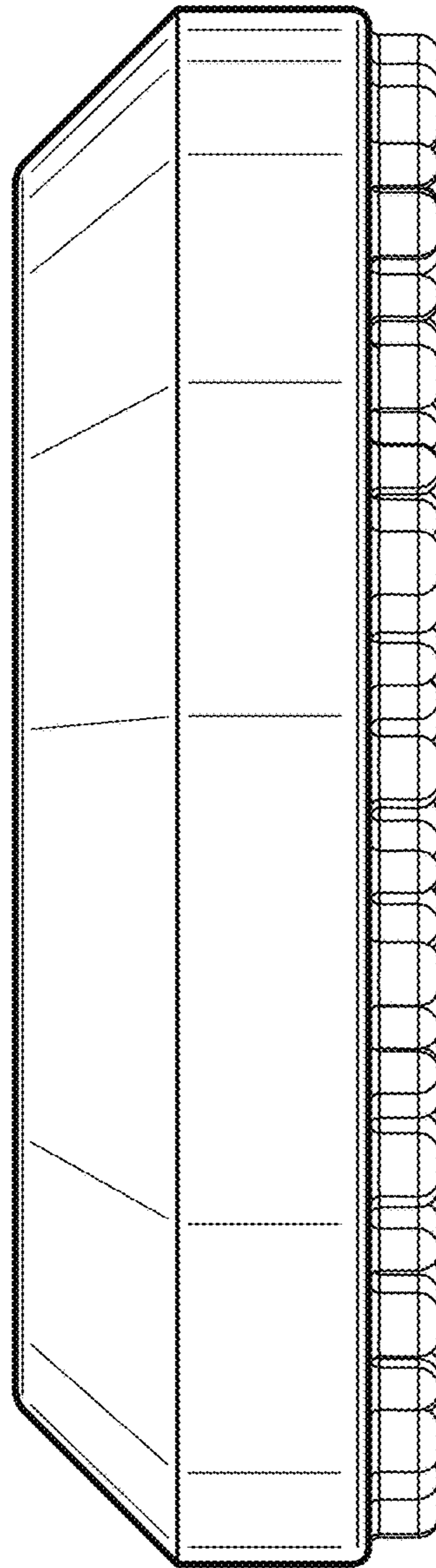


FIG. 4

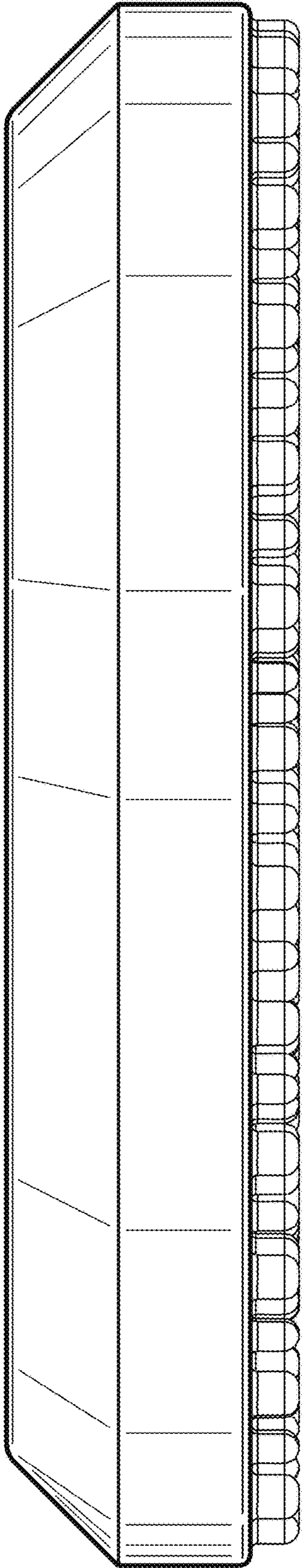


FIG. 5

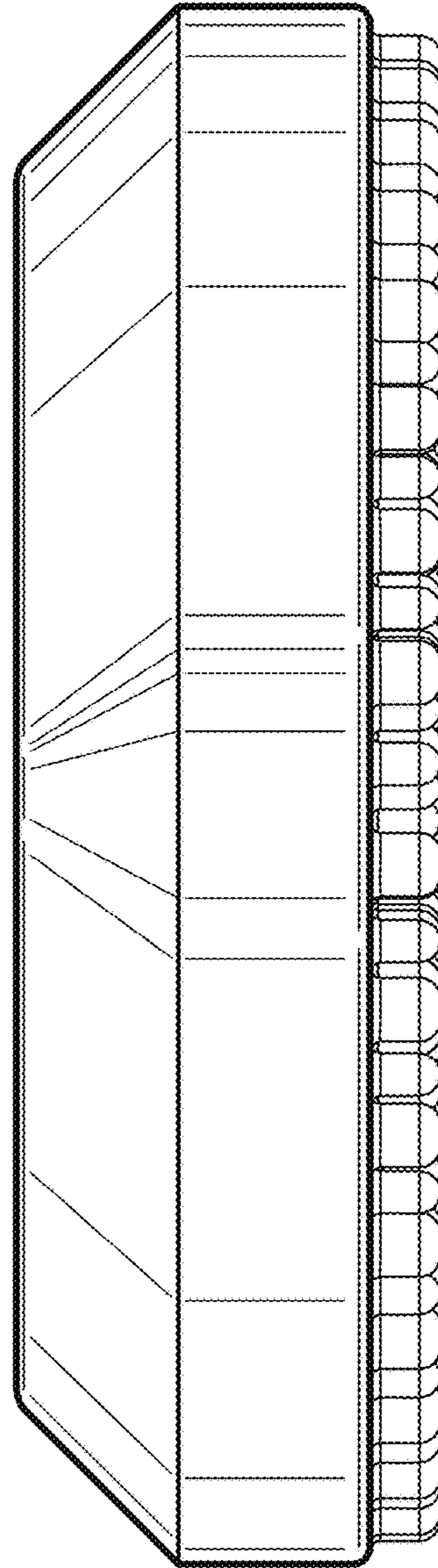


FIG. 6

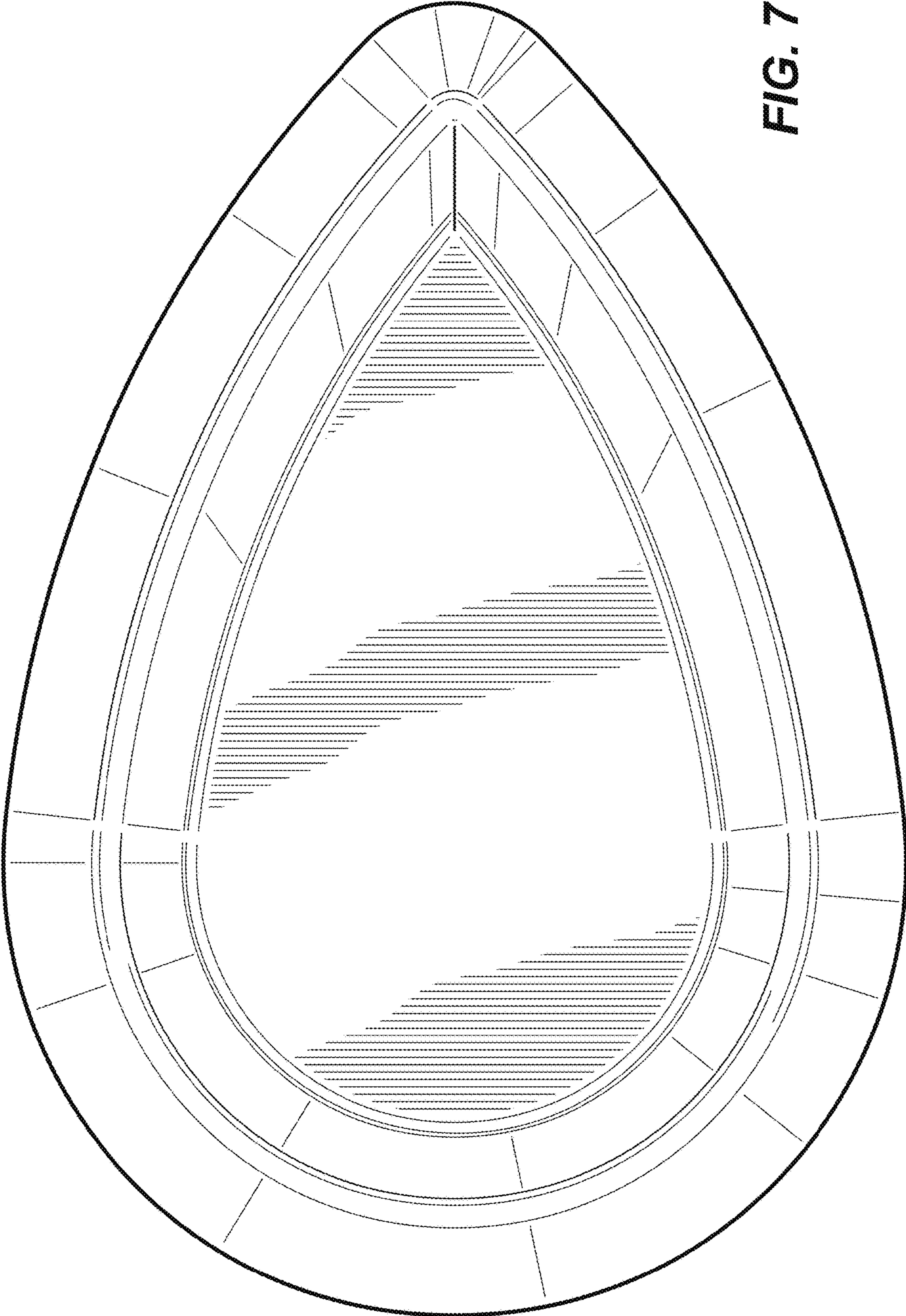


FIG. 7

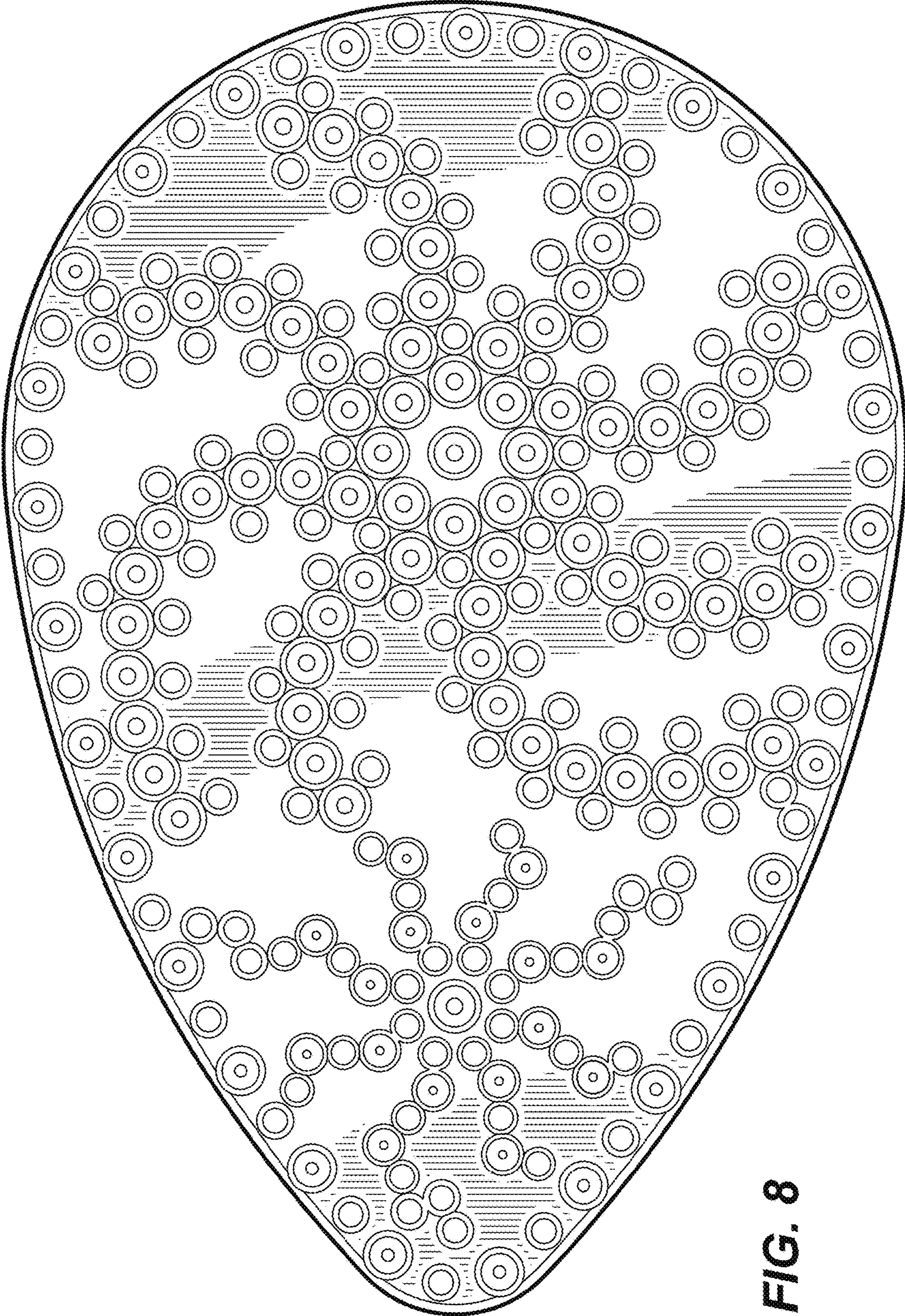


FIG. 8