



US00D796211S

(12) **United States Design Patent** (10) **Patent No.:** **US D796,211 S**  
**Getchell** (45) **Date of Patent:** **\*\* Sep. 5, 2017**

- (54) **PAINT ROLLER FRAME**
- (71) Applicant: **Garth Getchell**, Mammoth Lakes, CA (US)
- (72) Inventor: **Garth Getchell**, Mammoth Lakes, CA (US)
- (\*\*) Term: **15 Years**
- (21) Appl. No.: **29/581,943**
- (22) Filed: **Oct. 24, 2016**

- D750,381 S \* 3/2016 Parker ..... D4/122
- D753,923 S \* 4/2016 Pemberton ..... D4/122
- D754,974 S \* 5/2016 Arvinte ..... D4/122

(Continued)

*Primary Examiner* — Austin Murphy  
(74) *Attorney, Agent, or Firm* — Shifrin Patent Law; Dan Shifrin

(57) **CLAIM**

The ornamental design for a paint roller frame, as substantially shown and described.

**DESCRIPTION**

The present application is related to commonly-assigned and co-pending U.S. application Ser. No. 15/246,913 titled PAINT BRUSH AND ROLLER HANDLE COUPLER, and U.S. application Ser. No. 29/575,473 titled PAINT BRUSH AND ROLLER HANDLE GRIP, all filed on Aug. 25, 2016, which applications are incorporated herein by reference in their entireties.

FIG. 1 illustrates an isometric view of an embodiment of a paint roller frame of the present invention;

FIG. 2 illustrates a bottom perspective view of a portion of the roller frame of FIG. 1;

FIG. 3 illustrates a side view of the roller frame of FIG. 1;

FIG. 4 illustrates a front view of the roller frame of FIG. 1;

FIG. 5 illustrates a top view of the roller frame of FIG. 1;

FIG. 6 illustrates a bottom view of the roller frame of FIG. 1;

FIG. 7 illustrates a rear view of the roller frame of FIG. 1;

FIG. 8 illustrates a side view of the roller frame of FIG. 1 with a threaded extension pole;

and, FIG. 9 illustrates two roller frames shown in FIG. 1 connected with a threaded extension pole and piper coupler to show the article in a position of use.

The broken lines shown represent unclaimed subject matter and form no part of the claimed design.

**Related U.S. Application Data**

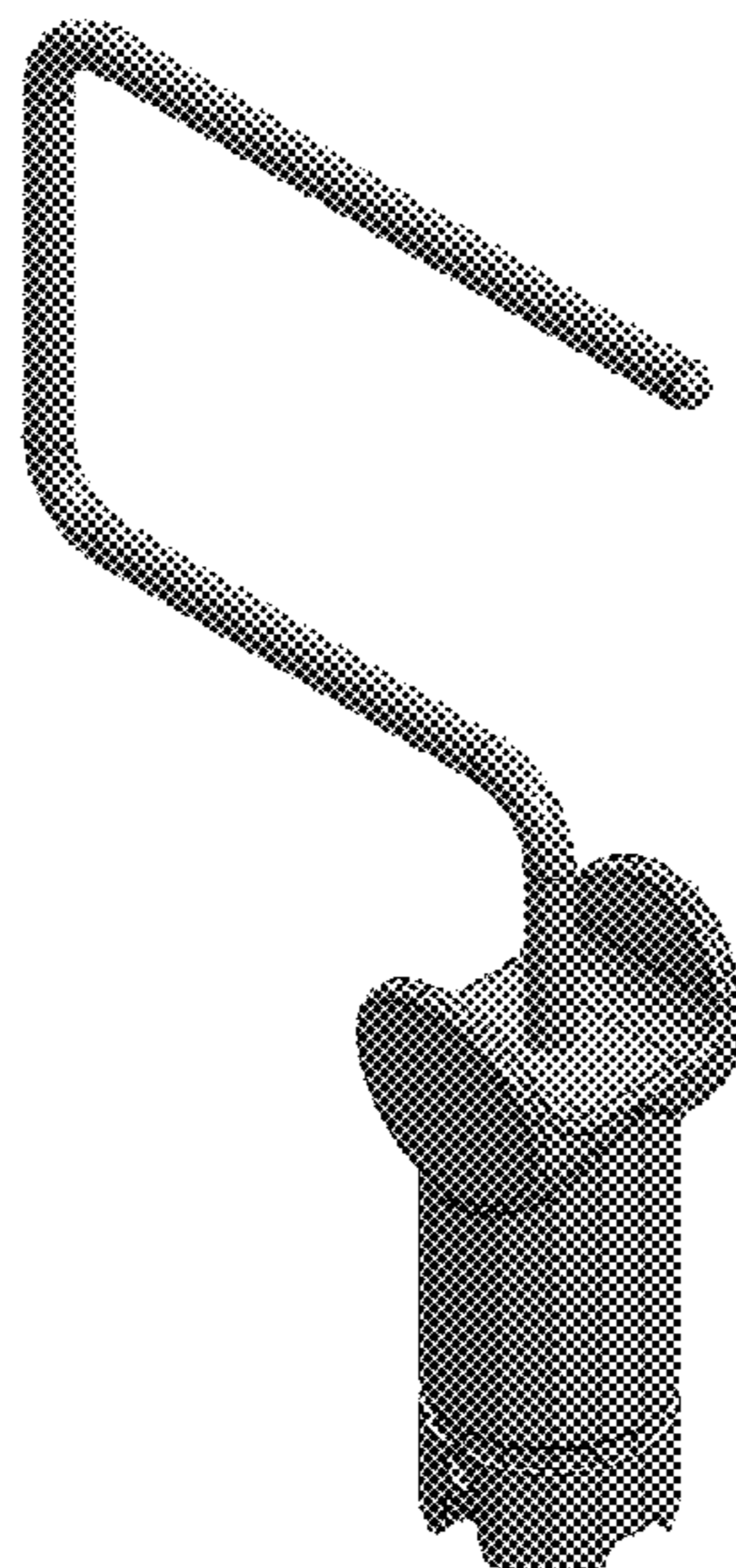
- (62) Division of application No. 15/246,891, filed on Aug. 25, 2016.
- (51) **LOC (10) Cl.** ..... **04-01**
- (52) **U.S. Cl.**  
USPC ..... **D4/122**
- (58) **Field of Classification Search**  
USPC ..... D4/122, 138; 15/27, 104.001, 104.002,  
15/230.11; 492/13, 16-19  
CPC ..... B05C 1/00; B05C 1/02; B05C 17/0205;  
B44D 2/00  
See application file for complete search history.

(56) **References Cited**

**U.S. PATENT DOCUMENTS**

- D578,769 S \* 10/2008 Patterson ..... D4/122
- D584,059 S \* 1/2009 Arvinte ..... D4/122
- D603,609 S \* 11/2009 Reed ..... D4/122
- D630,856 S \* 1/2011 Arvinte ..... D4/122
- D683,546 S \* 6/2013 Woolfolk ..... D4/122
- D695,018 S \* 12/2013 Gallardo ..... D4/122
- D699,445 S \* 2/2014 Pelo ..... D4/122
- 8,819,886 B1 \* 9/2014 Boukair ..... B05C 17/02  
15/143.1
- D728,945 S \* 5/2015 Neal ..... D4/122
- D741,604 S \* 10/2015 Typrowicz ..... D4/122

**1 Claim, 5 Drawing Sheets**



(56)

**References Cited**

U.S. PATENT DOCUMENTS

D758,082 S \* 6/2016 Rockwell ..... D4/122  
D773,827 S \* 12/2016 Tyrowicz ..... D4/122

\* cited by examiner

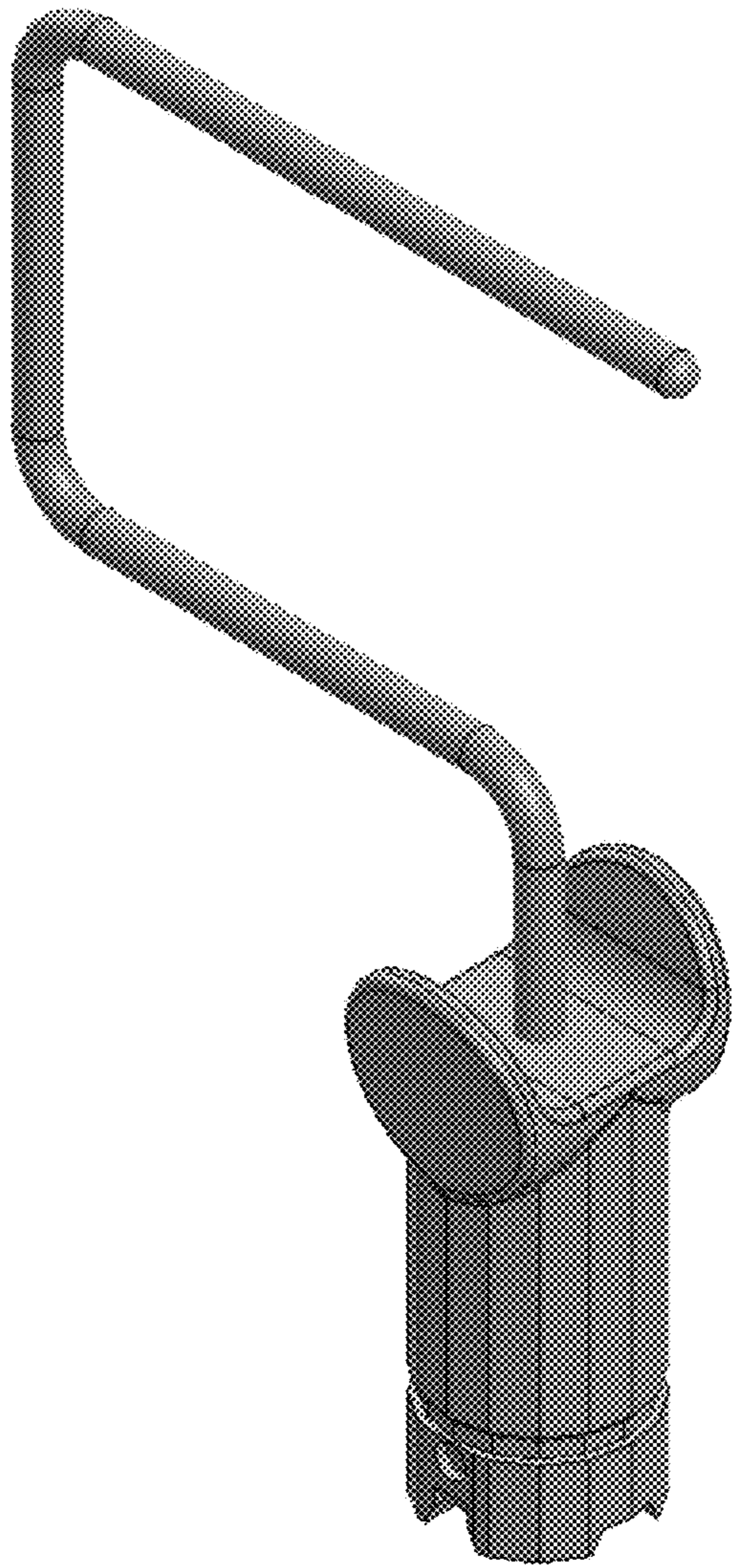


FIG. 1

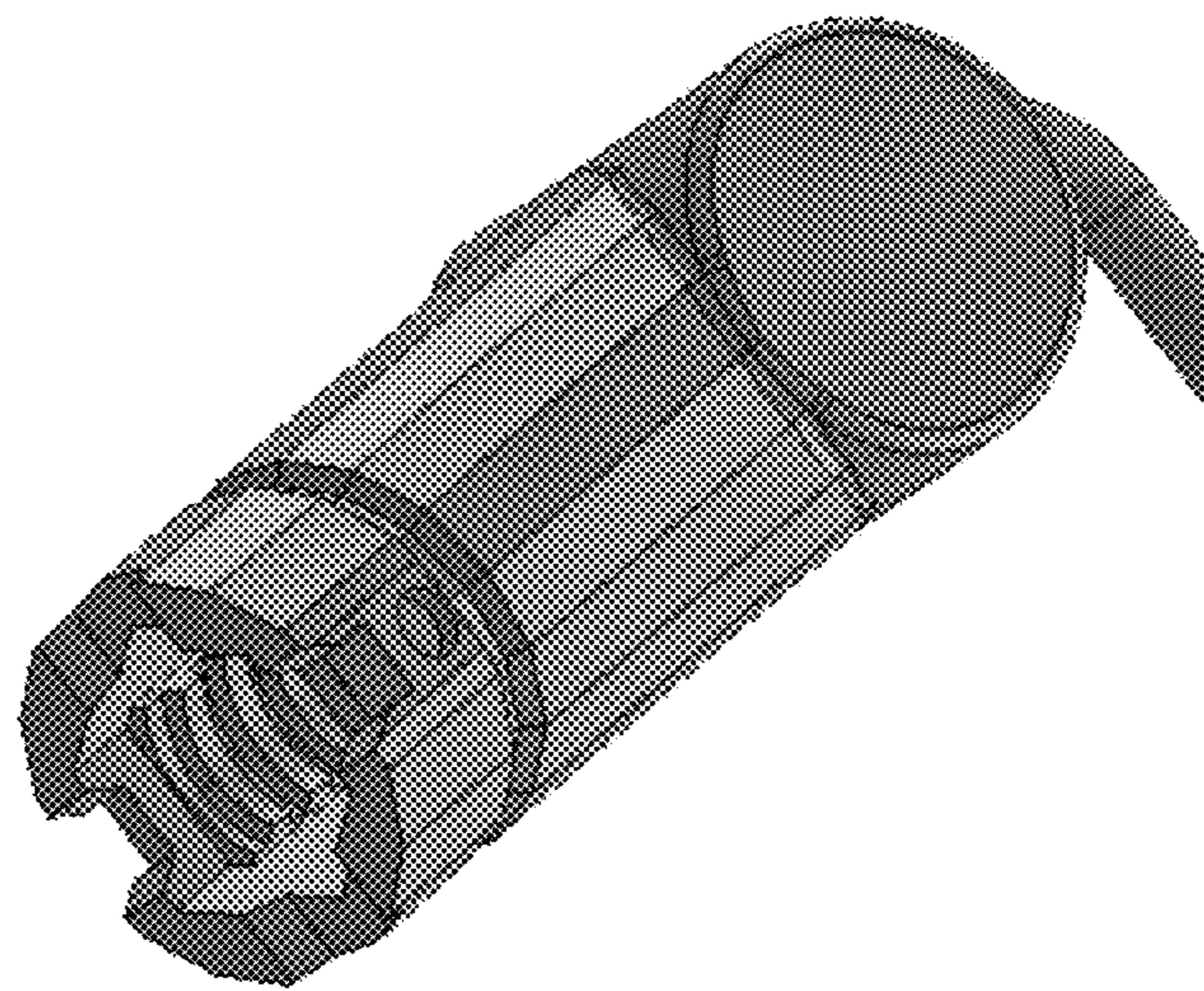


FIG. 2

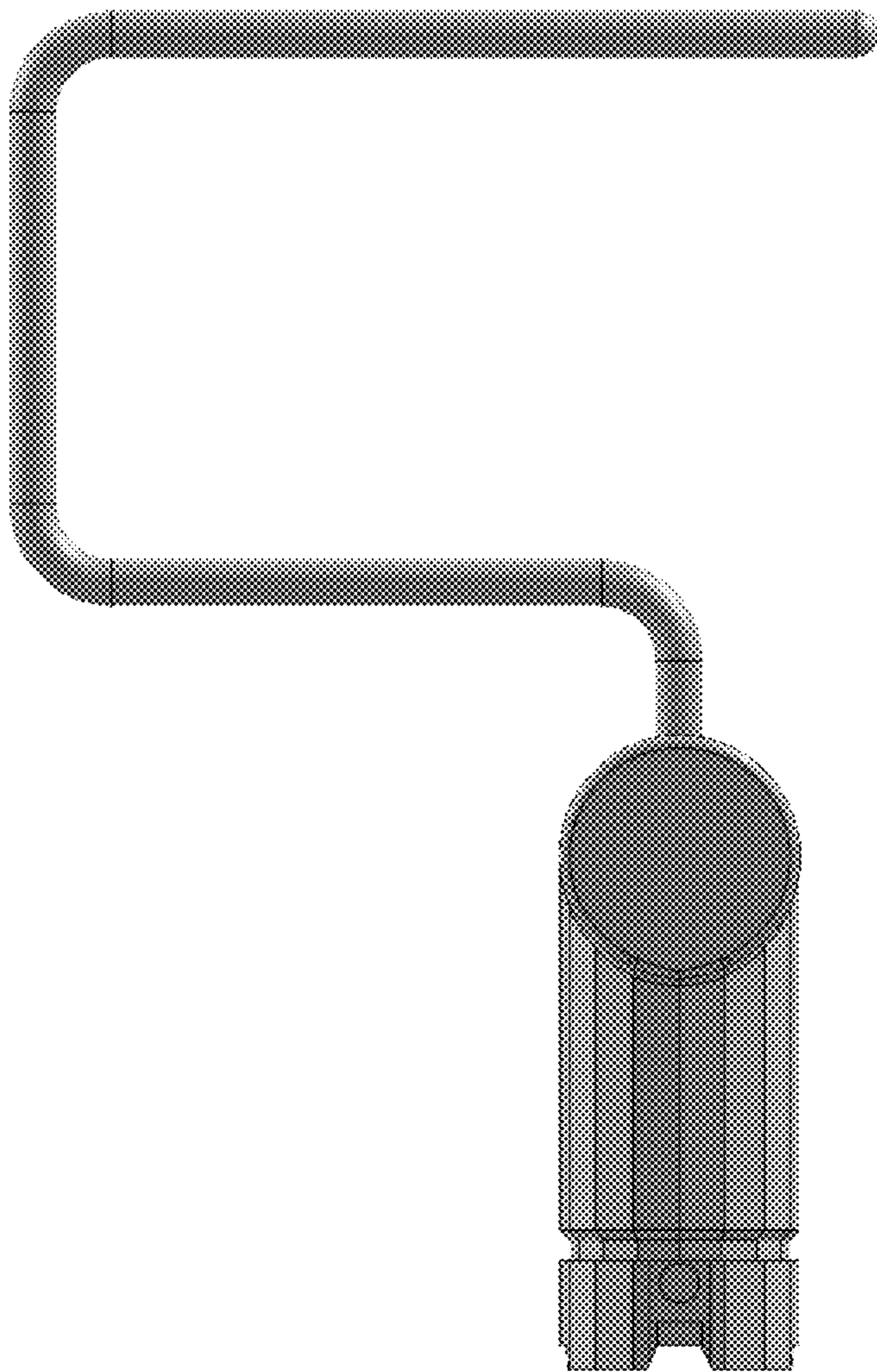


FIG. 3

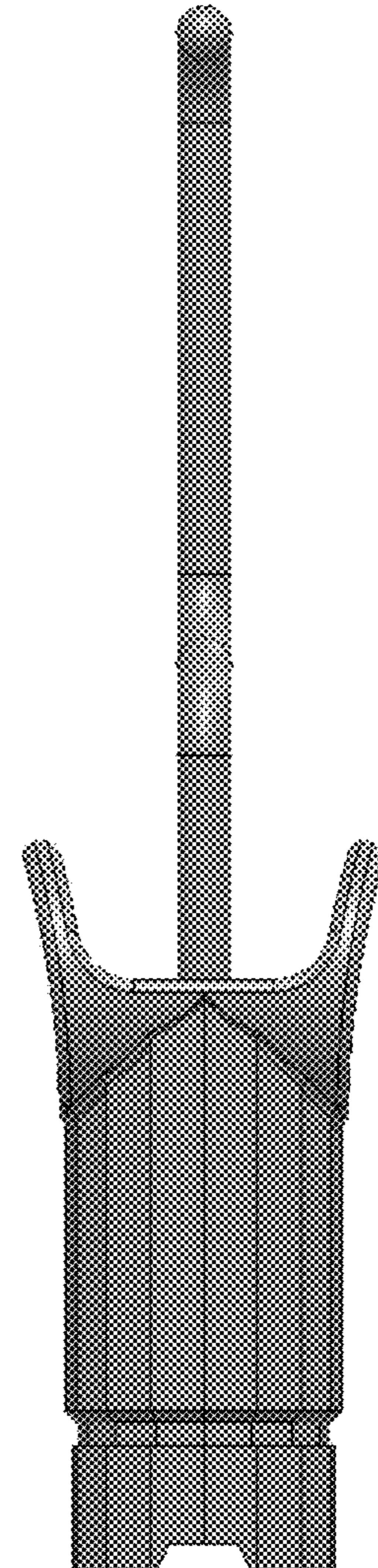


FIG. 4

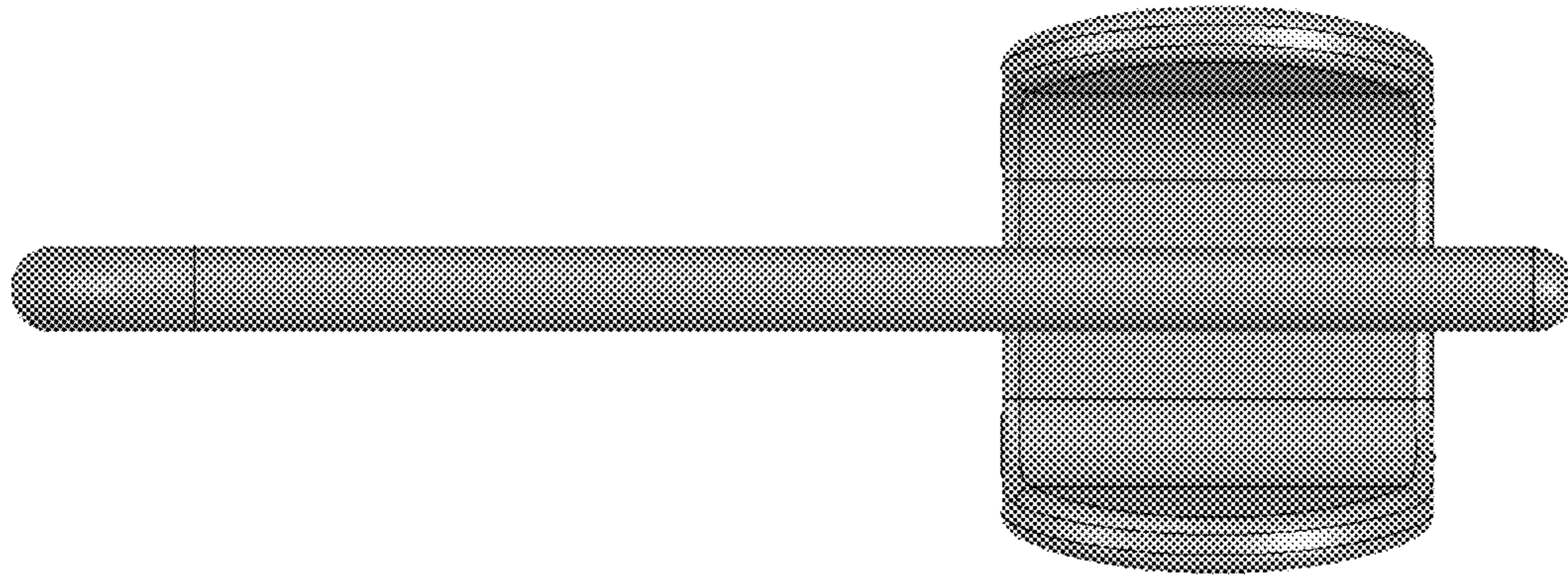


FIG. 5

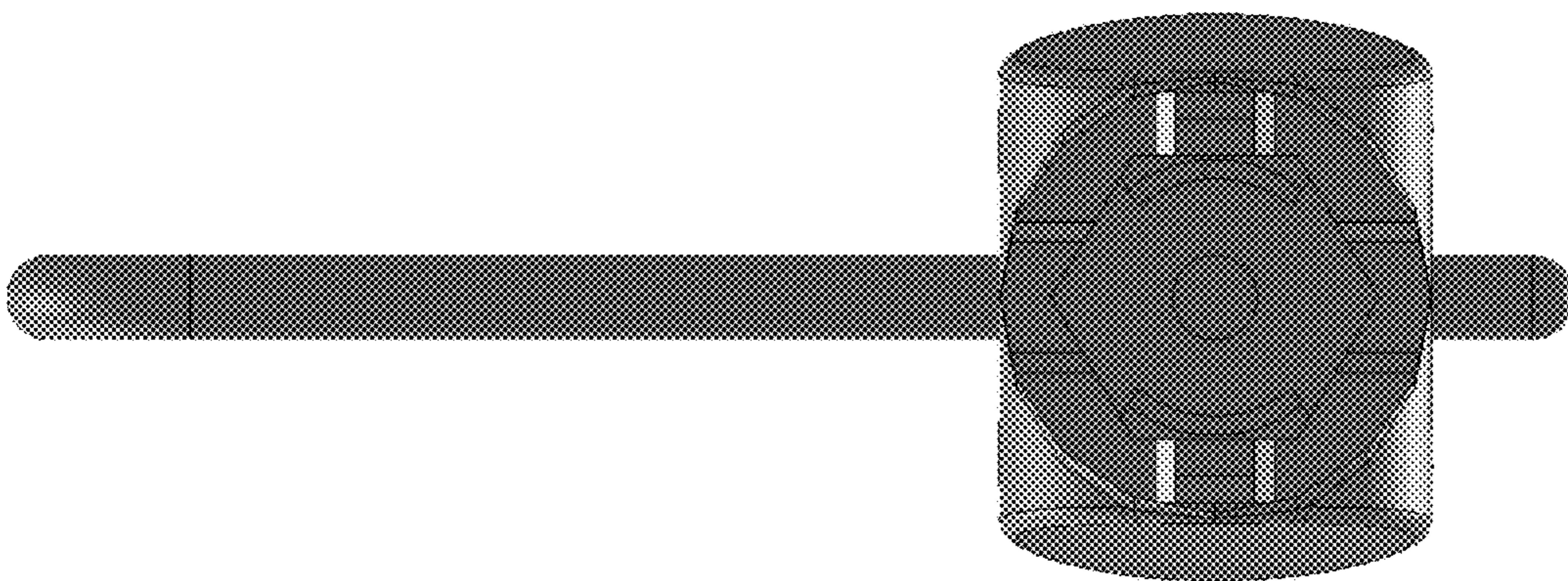


FIG. 6

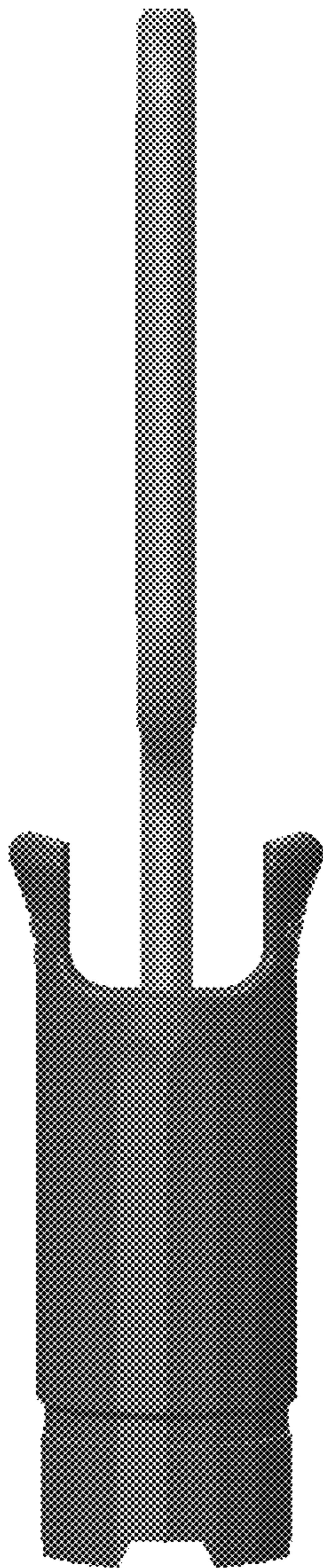


FIG. 7

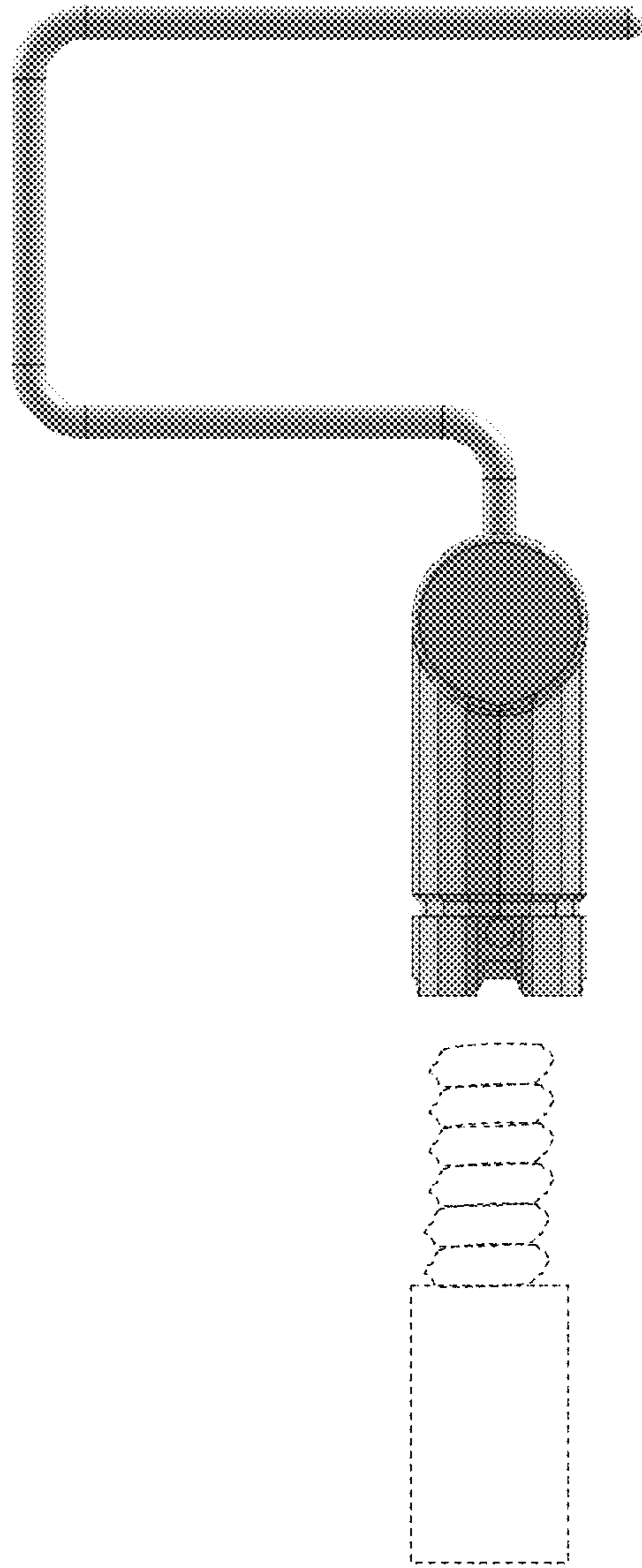


FIG. 8

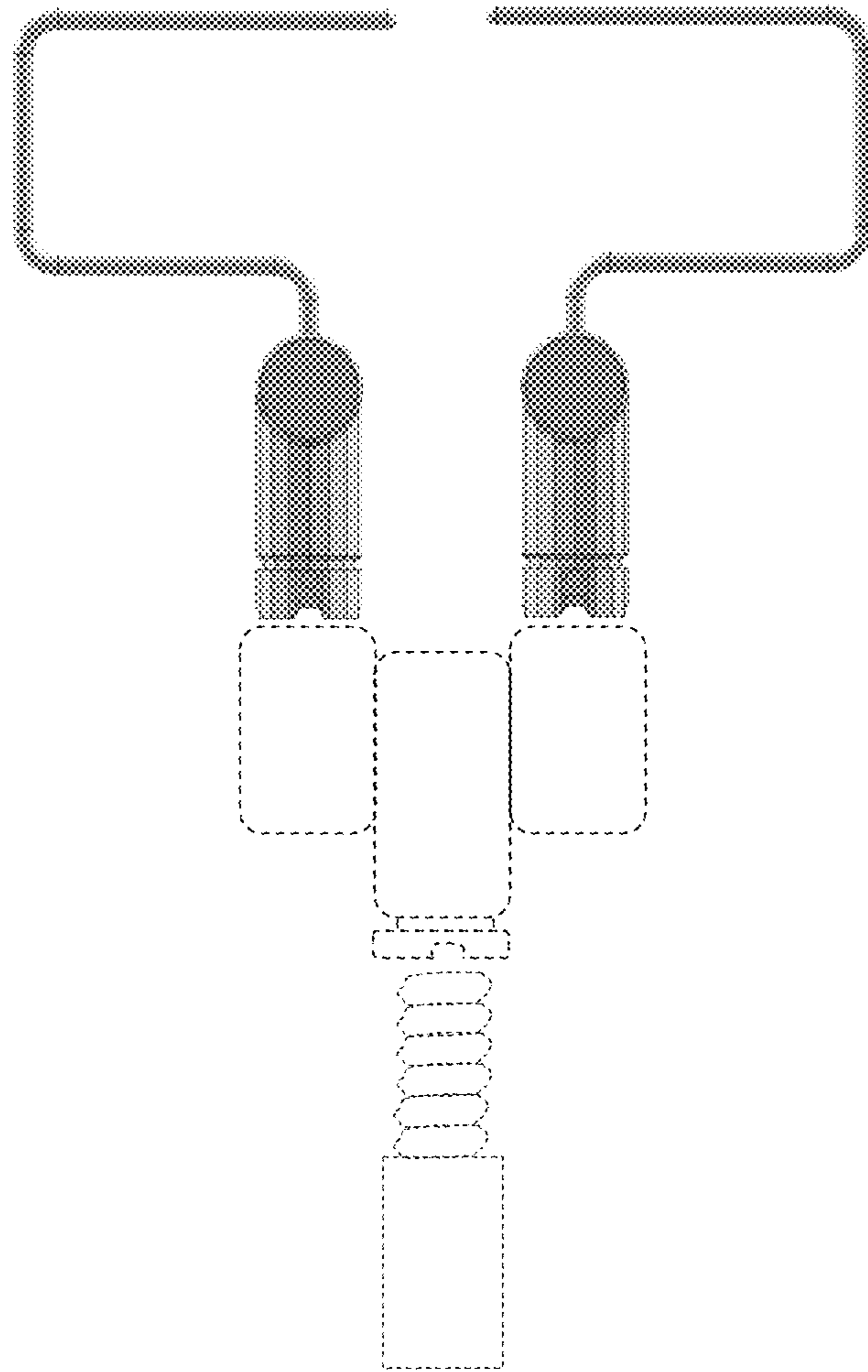


FIG. 9