



US00D796209S

(12) **United States Design Patent**  
**Hu**

(10) **Patent No.:** **US D796,209 S**  
(45) **Date of Patent:** **\*\* Sep. 5, 2017**

(54) **COMBINED HAIR BRUSH AND COMB**

**DESCRIPTION**

- (71) Applicant: **Yong-Gang Hu**, Ningbo (CN)
- (72) Inventor: **Yong-Gang Hu**, Ningbo (CN)
- (73) Assignee: **Ningbo Chungfat Brushes Co., Ltd.**, Ningbo (CN)
- (\*\*) Term: **15 Years**
- (21) Appl. No.: **29/543,040**
- (22) Filed: **Oct. 20, 2015**
- (51) **LOC (10) Cl.** ..... **04-02**
- (52) **U.S. Cl.**  
USPC ..... **D4/117; D4/136; D28/25**
- (58) **Field of Classification Search**  
USPC ..... D4/116, 117, 118, 121, 134, 135, 136,  
D4/138, 199; D24/200, 214, 215;  
D28/21, 24, 25, 28, 31-34, 74; D30/158,  
D30/159  
CPC ..... A46B 5/00; A46B 5/0004; A46B 5/0016;  
A46B 5/0062; A46B 5/0095; A46B  
2200/10; A46B 2200/102; A46B  
2200/1026  
See application file for complete search history.

FIG. 1 is a front view of a combined hair brush and comb, showing my new design;  
 FIG. 2 is a back side view of the combined hair brush and comb;  
 FIG. 3 is a left side view of the combined hair brush and comb, shown enlarged for ease of illustration;  
 FIG. 4 is a right view of the combined hair brush and comb, shown enlarged for ease of illustration;  
 FIG. 5 is a top plan view of the combined hair brush and comb;  
 FIG. 6 is a bottom plan view of the combined hair brush and comb;  
 FIG. 7 is a perspective view of the combined hair brush and comb;  
 FIG. 8 is another perspective view of the combined hair brush and comb, shown in an exploded configuration.  
 FIG. 9 is a front view of the comb, shown isolated from the hair brush portion of the design, shown enlarged for ease of illustration;  
 FIG. 10 is a back side view of the comb, shown isolated from the brush portion of the design, shown enlarged for ease of illustration;  
 FIG. 11 is a left side view of the comb, shown isolated from the brush portion of the design, shown enlarged for ease of illustration;  
 FIG. 12 is a right view of the comb, shown isolated from the brush portion of the design, shown enlarged for ease of illustration;  
 FIG. 13 is a top plan view of the comb, shown isolated from the brush portion of the design, shown enlarged for ease of illustration;  
 FIG. 14 is a bottom plan view of the comb, shown isolated from the brush portion of the design, shown enlarged for ease of illustration; and,  
 FIG. 15 is a perspective view of the comb, shown isolated from the brush portion of the design, shown enlarged for ease of illustration.  
 The broken line in FIG. 8 represents an unclaimed portion of the brush handle.

(56) **References Cited**

**U.S. PATENT DOCUMENTS**

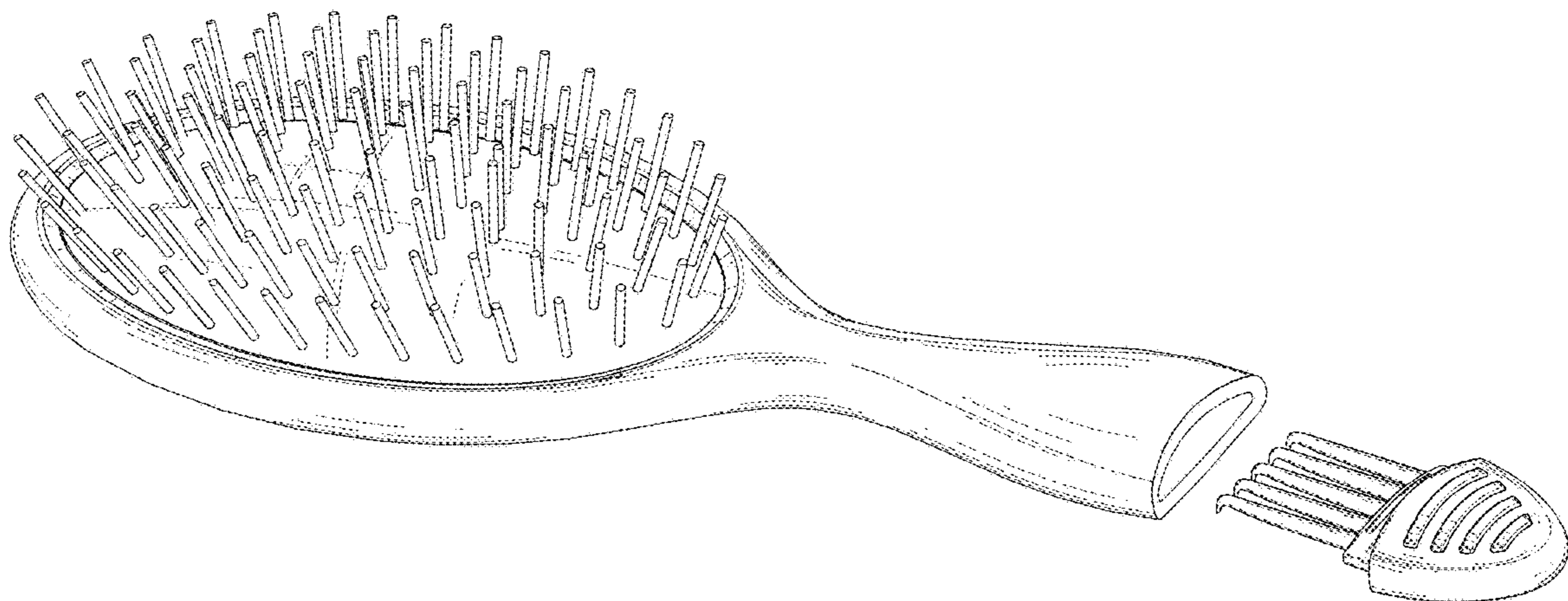
- D242,951 S \* 1/1977 Bradford ..... D28/24
  - D301,940 S \* 7/1989 Fong ..... D4/132
- (Continued)

*Primary Examiner* — Susan E Krakower  
*Assistant Examiner* — Lisa A Grabenstetter  
 (74) *Attorney, Agent, or Firm* — Wang Law Firm, Inc.

(57) **CLAIM**

The ornamental design for a combined hair brush and comb, as shown and described.

**1 Claim, 15 Drawing Sheets**



(56)

**References Cited**

U.S. PATENT DOCUMENTS

D367,544 S \* 2/1996 Bozak ..... D28/31  
D405,614 S \* 2/1999 Geardino ..... D28/25  
D423,229 S \* 4/2000 Chen ..... D4/136  
D453,420 S \* 2/2002 Offer ..... D4/132  
D486,233 S \* 2/2004 Cook ..... D24/200  
D504,234 S \* 4/2005 Kuo ..... D4/133  
D509,363 S \* 9/2005 Kampel ..... D4/133  
D562,564 S \* 2/2008 King ..... D4/117  
D574,156 S \* 8/2008 Davis ..... D28/20  
D670,432 S \* 11/2012 Driver ..... D28/21  
D694,019 S \* 11/2013 Simard ..... D4/132  
8,595,885 B1 \* 12/2013 Weinstein ..... A46B 9/06  
119/612  
2005/0210614 A1 \* 9/2005 Chang ..... A46B 9/023  
15/186  
2009/0083919 A1 \* 4/2009 Taggart ..... A46B 5/00  
15/22.2  
2009/0147081 A1 \* 6/2009 Hanson ..... A45D 20/12  
348/77

\* cited by examiner

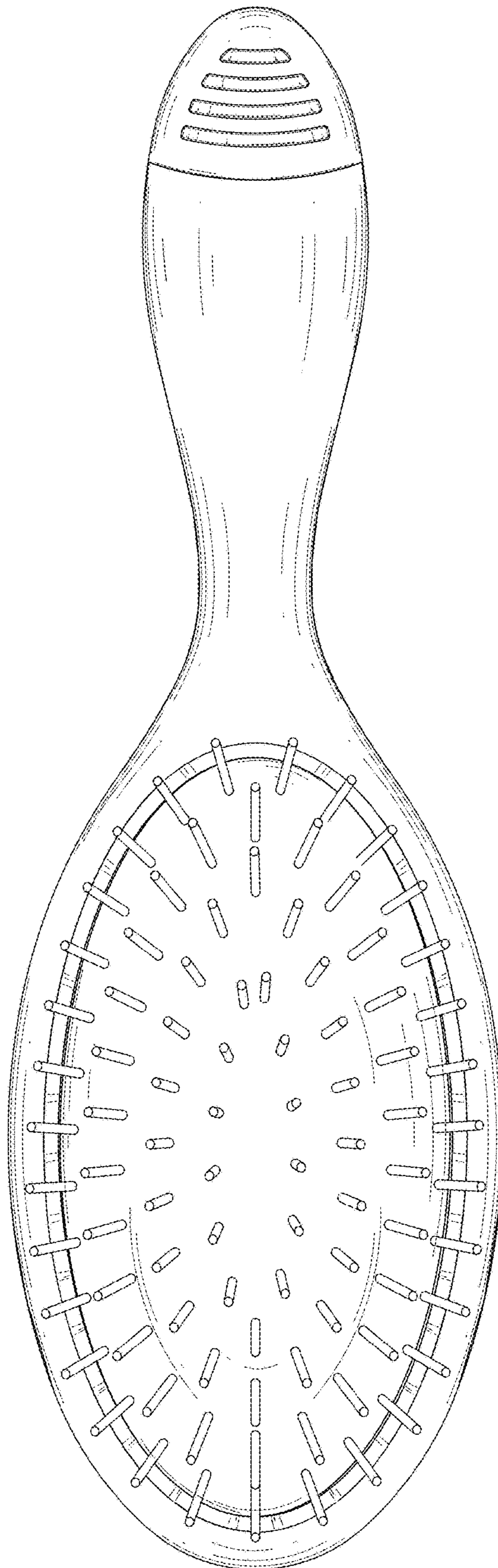


FIG. 1

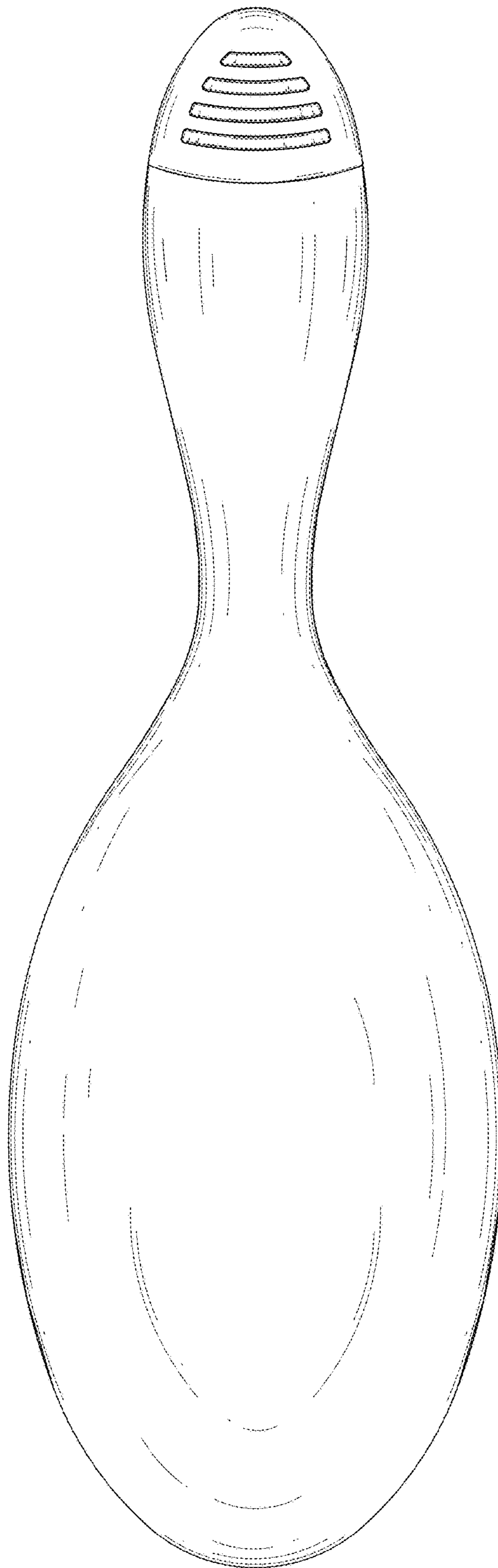


FIG. 2



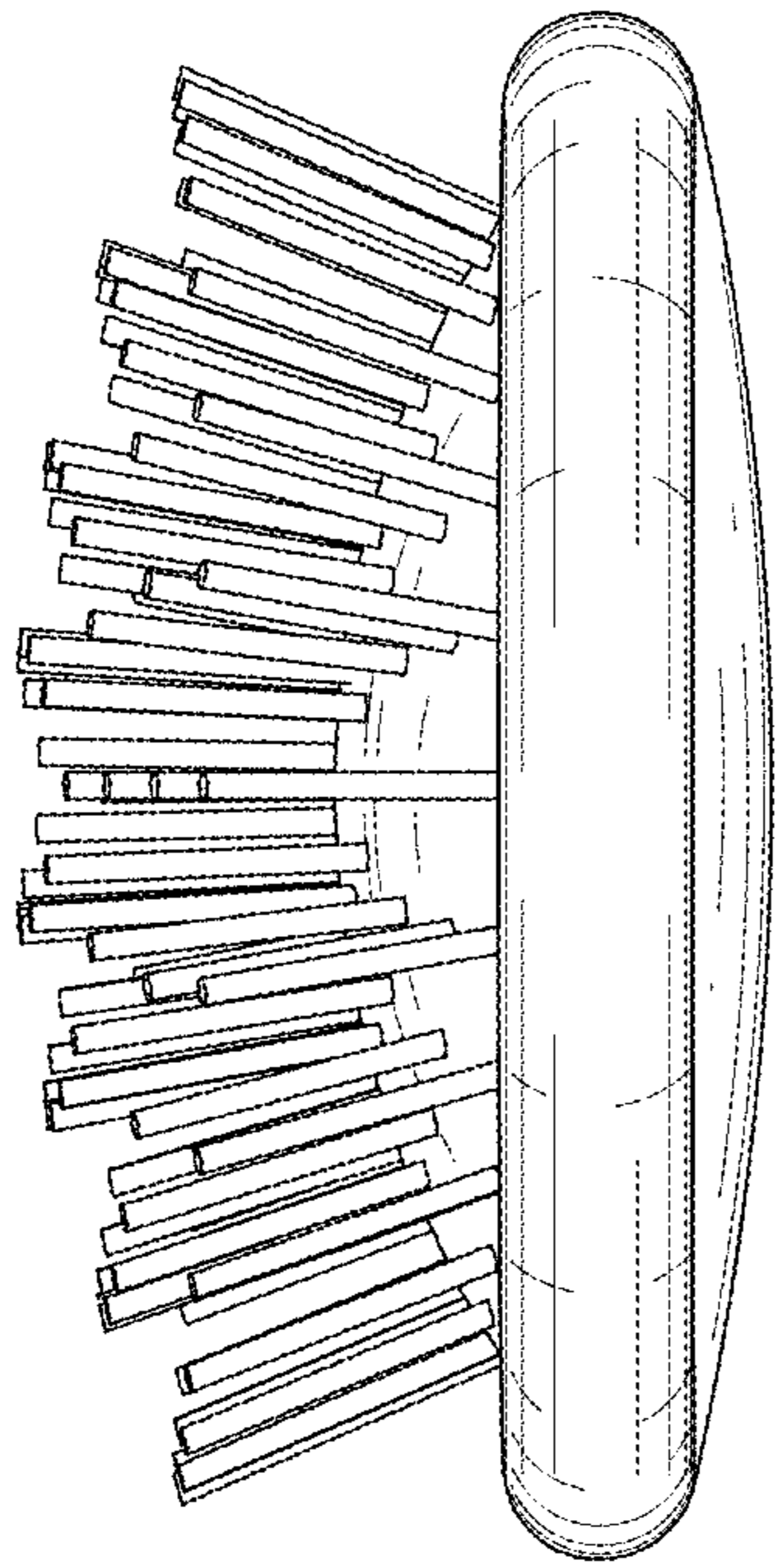


FIG. 3

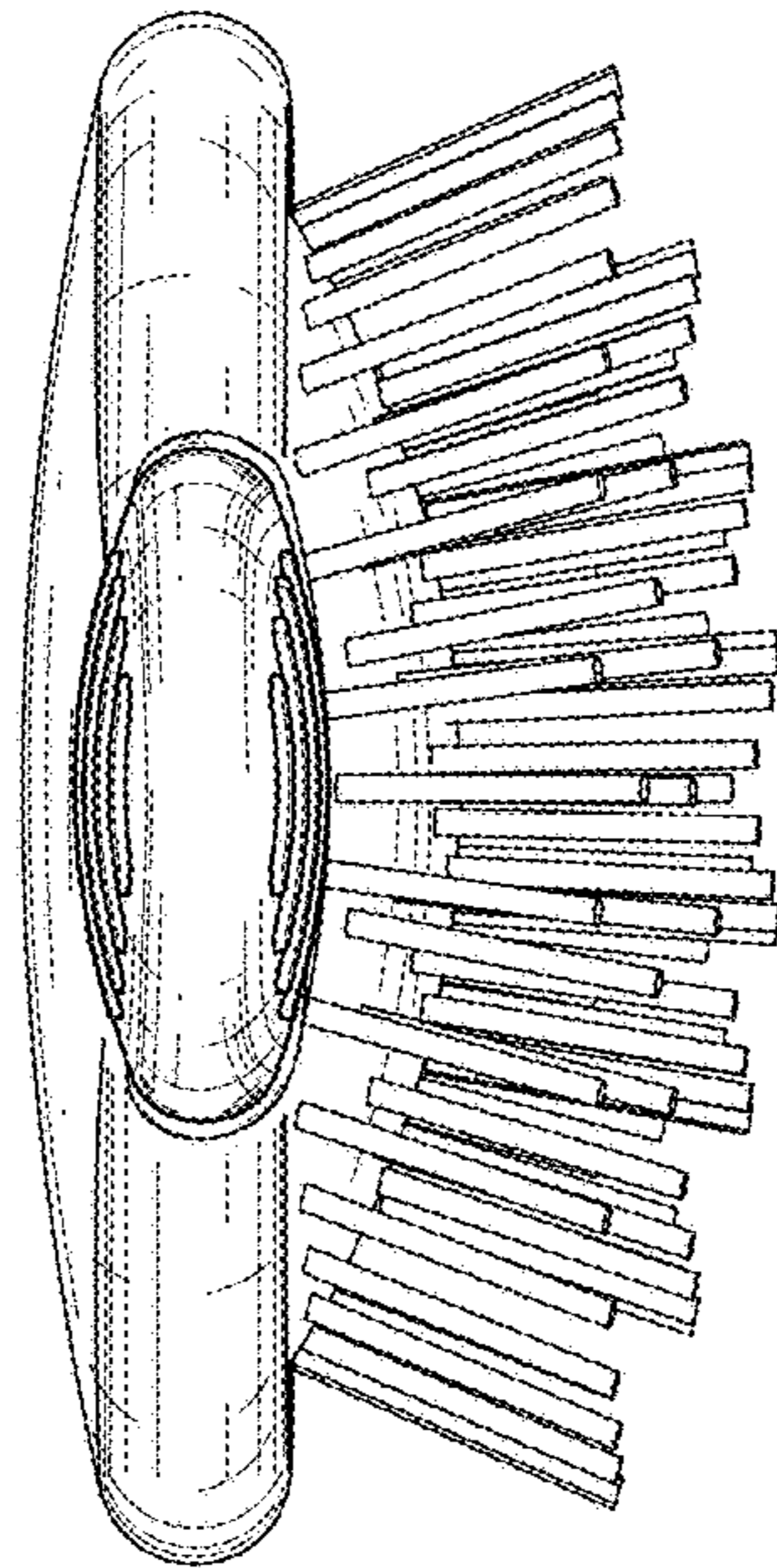


FIG. 4

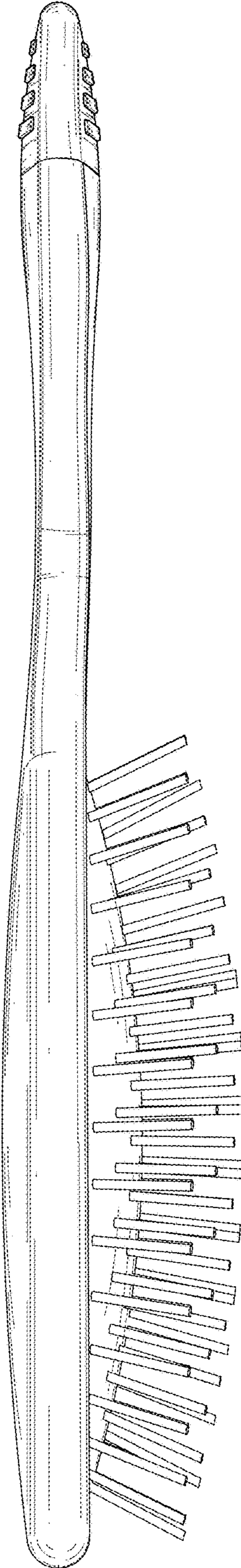


FIG. 5

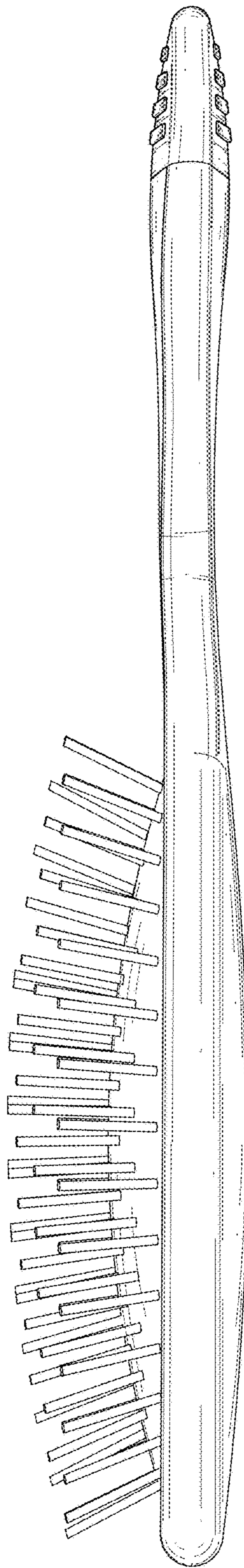


FIG. 6



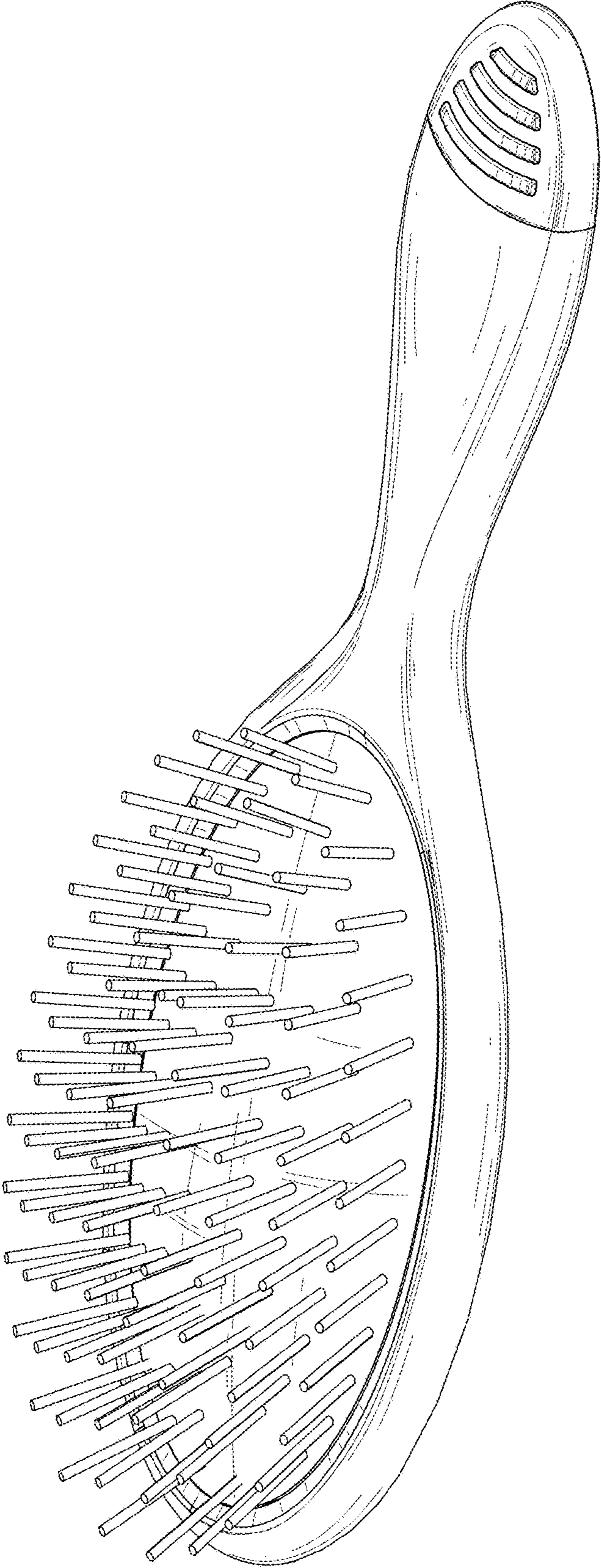


FIG. 7

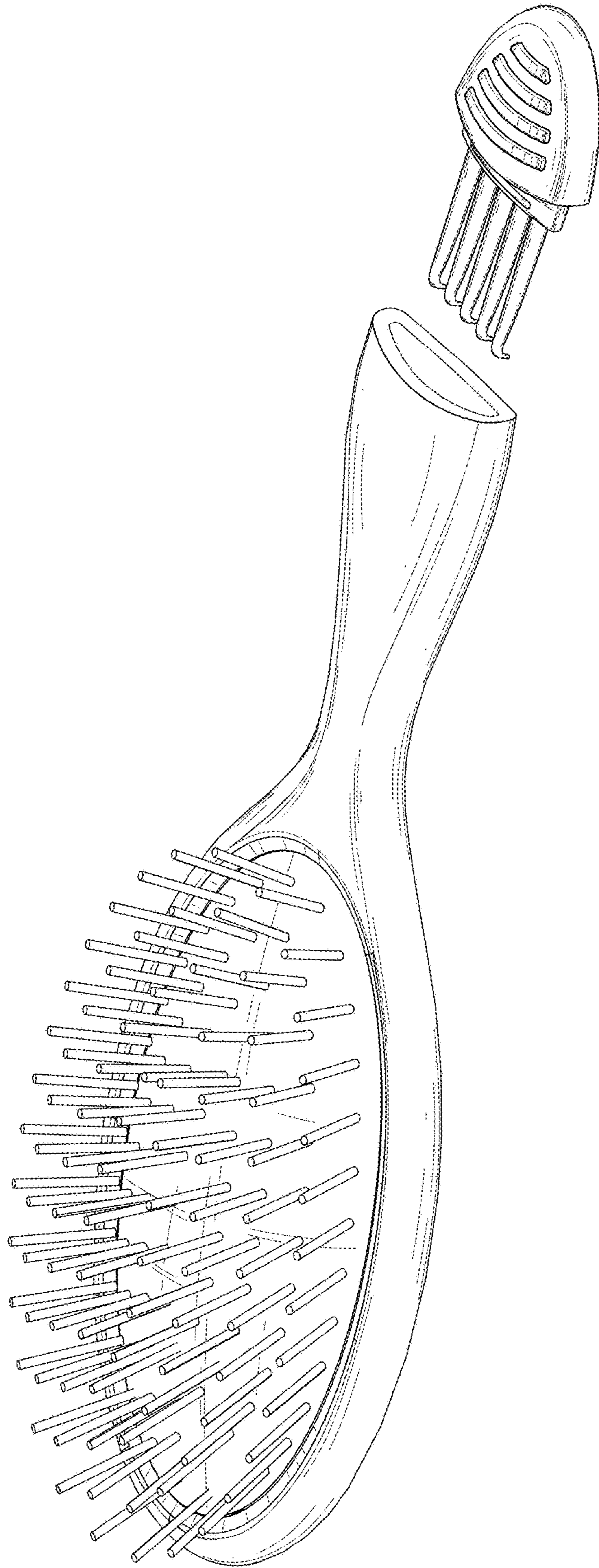


FIG. 8

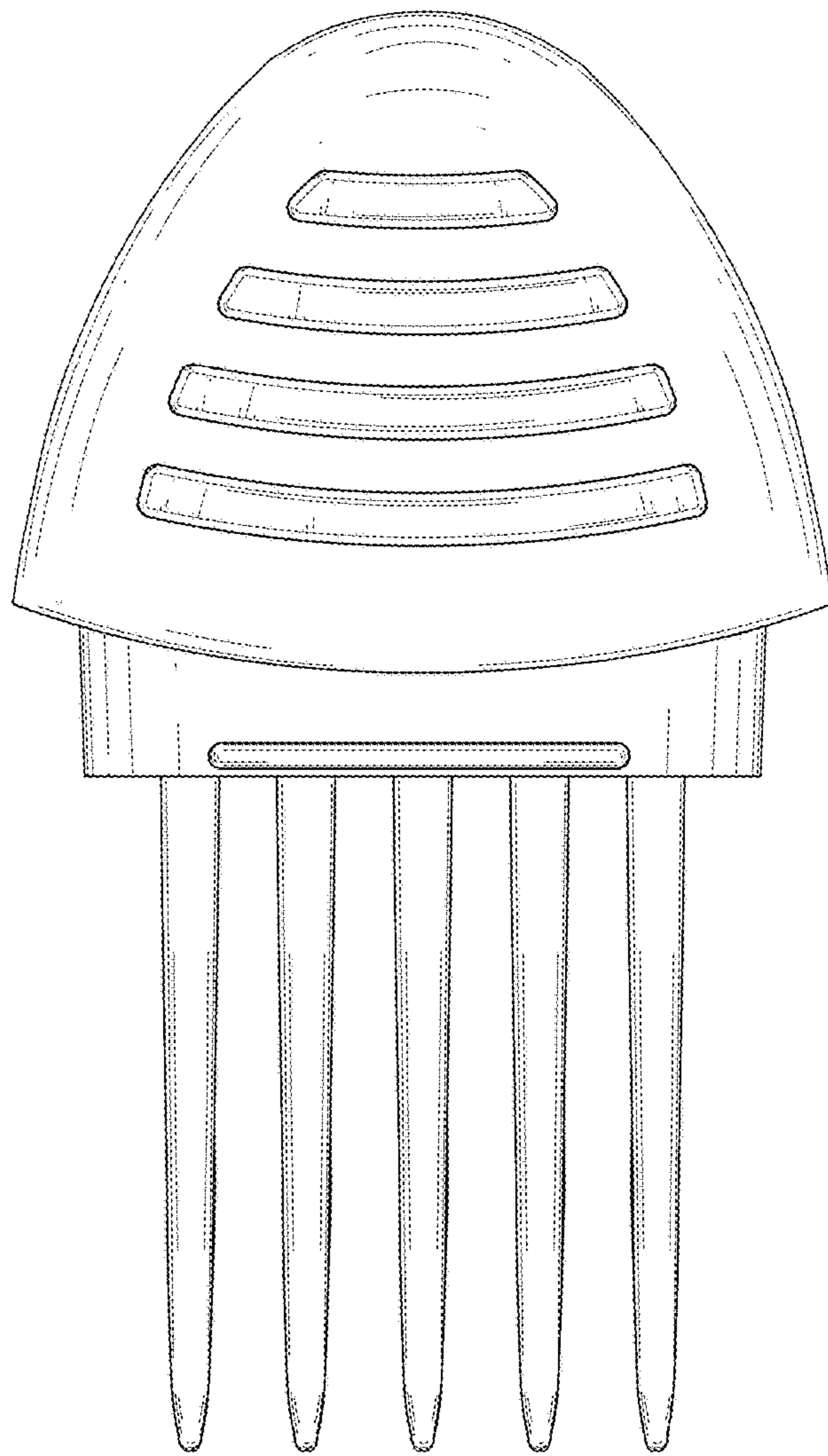


FIG. 9

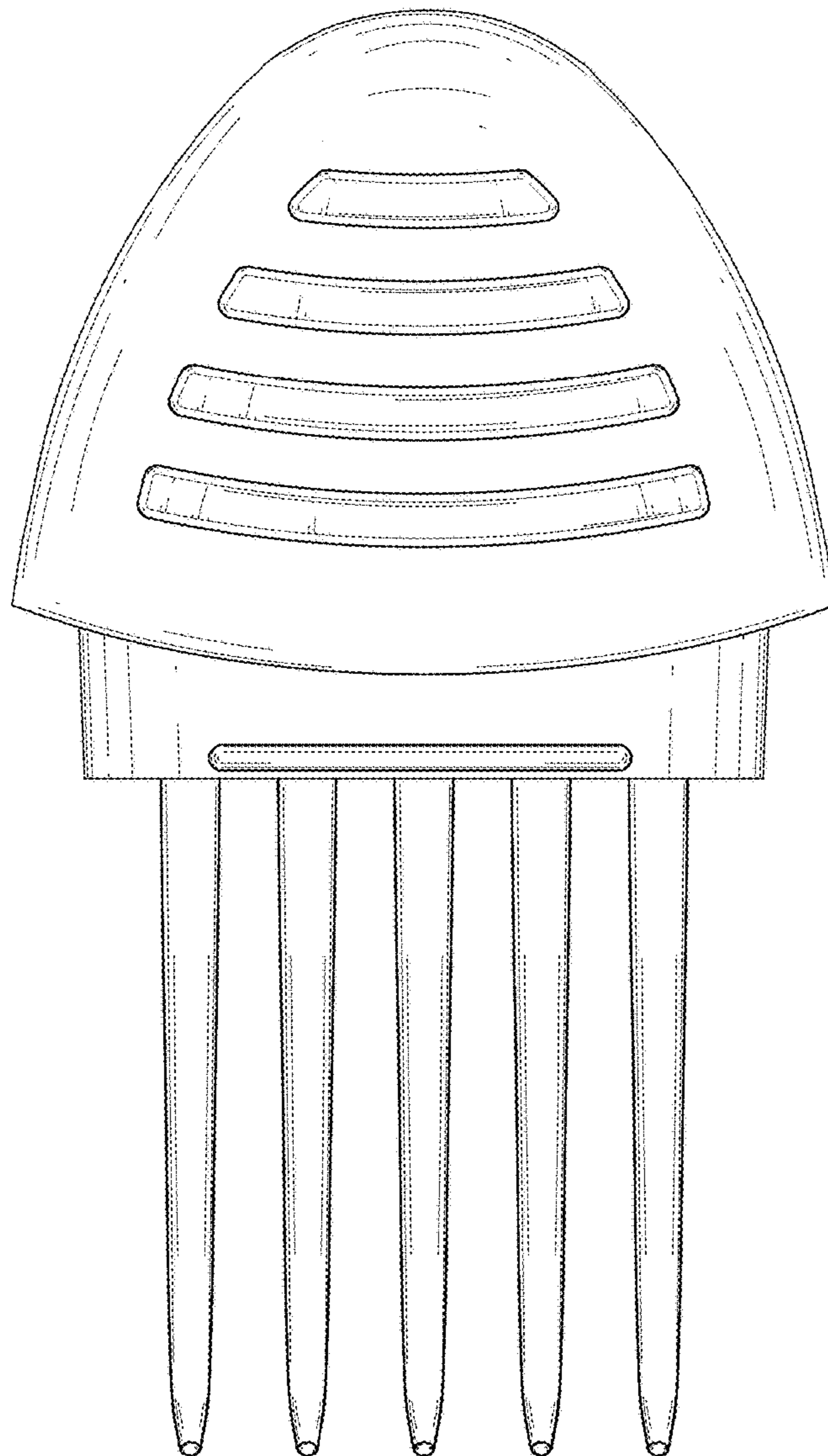


FIG. 10



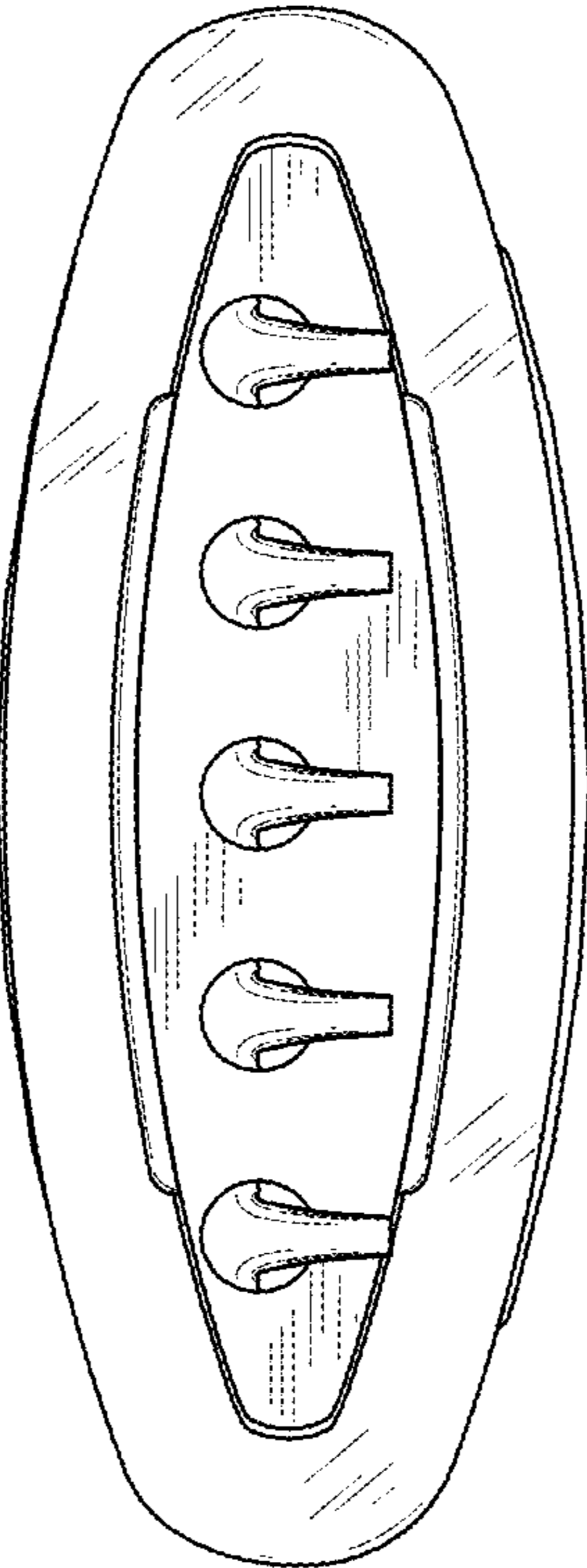


FIG. 11

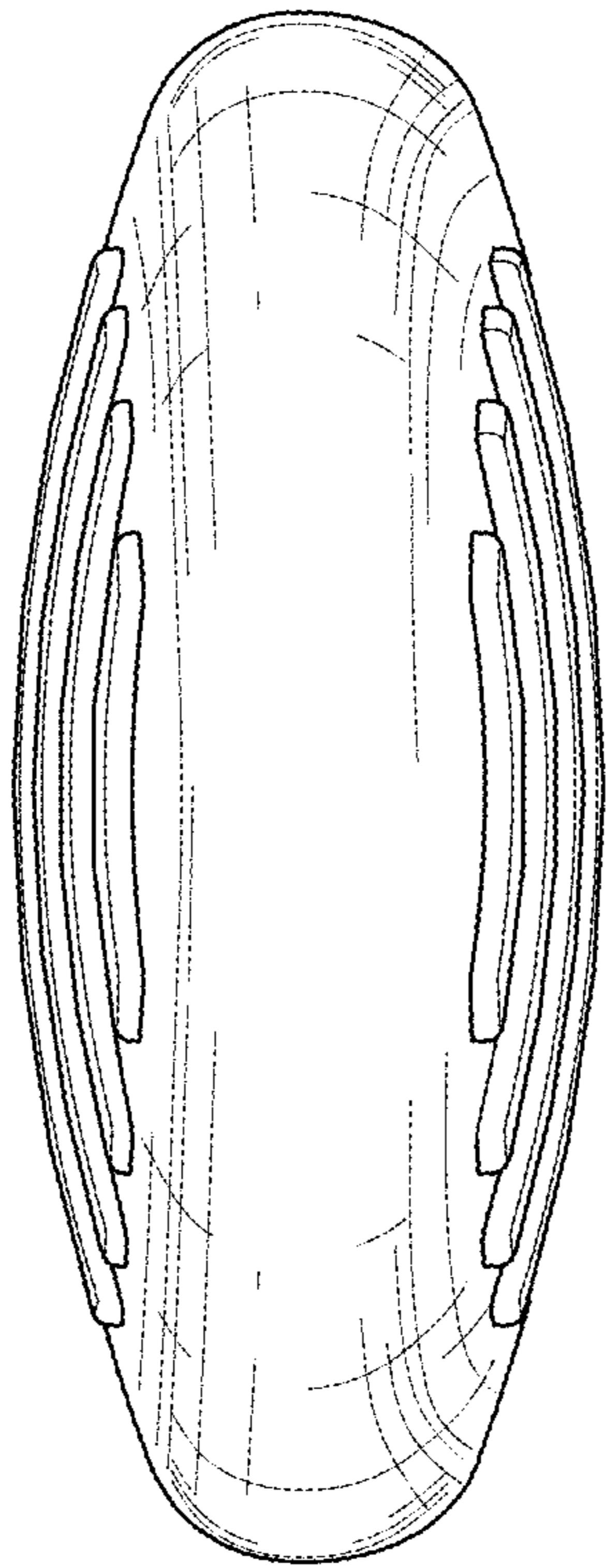


FIG. 12

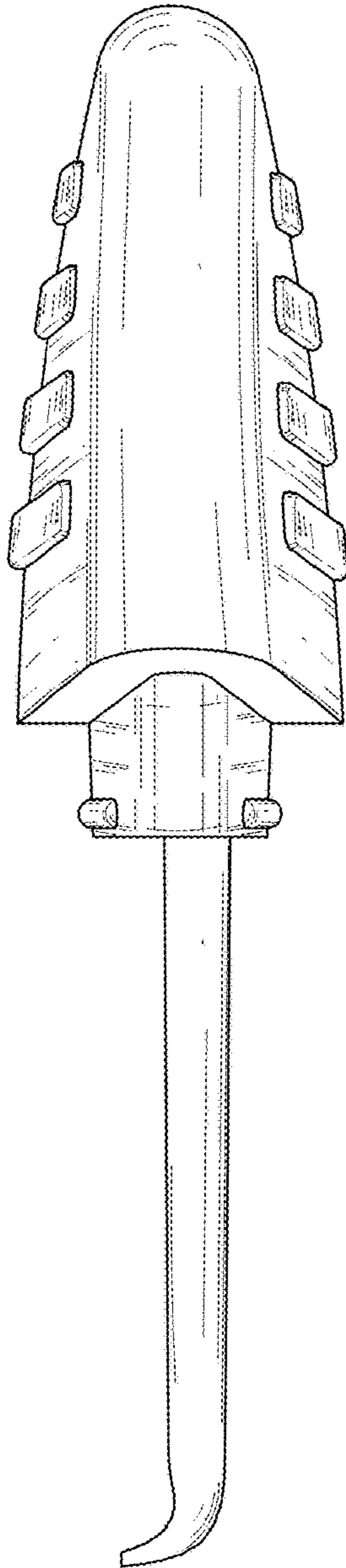


FIG. 13

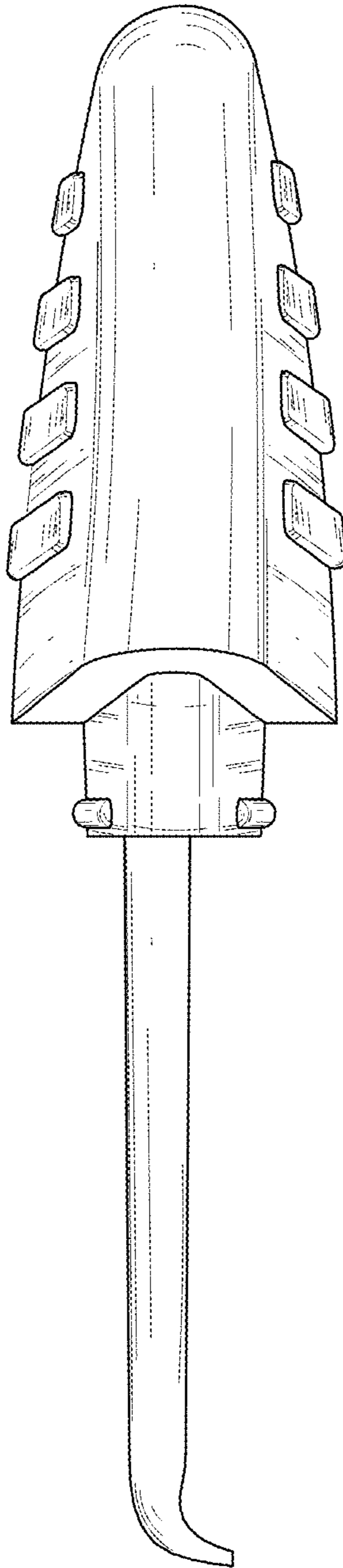


FIG. 14



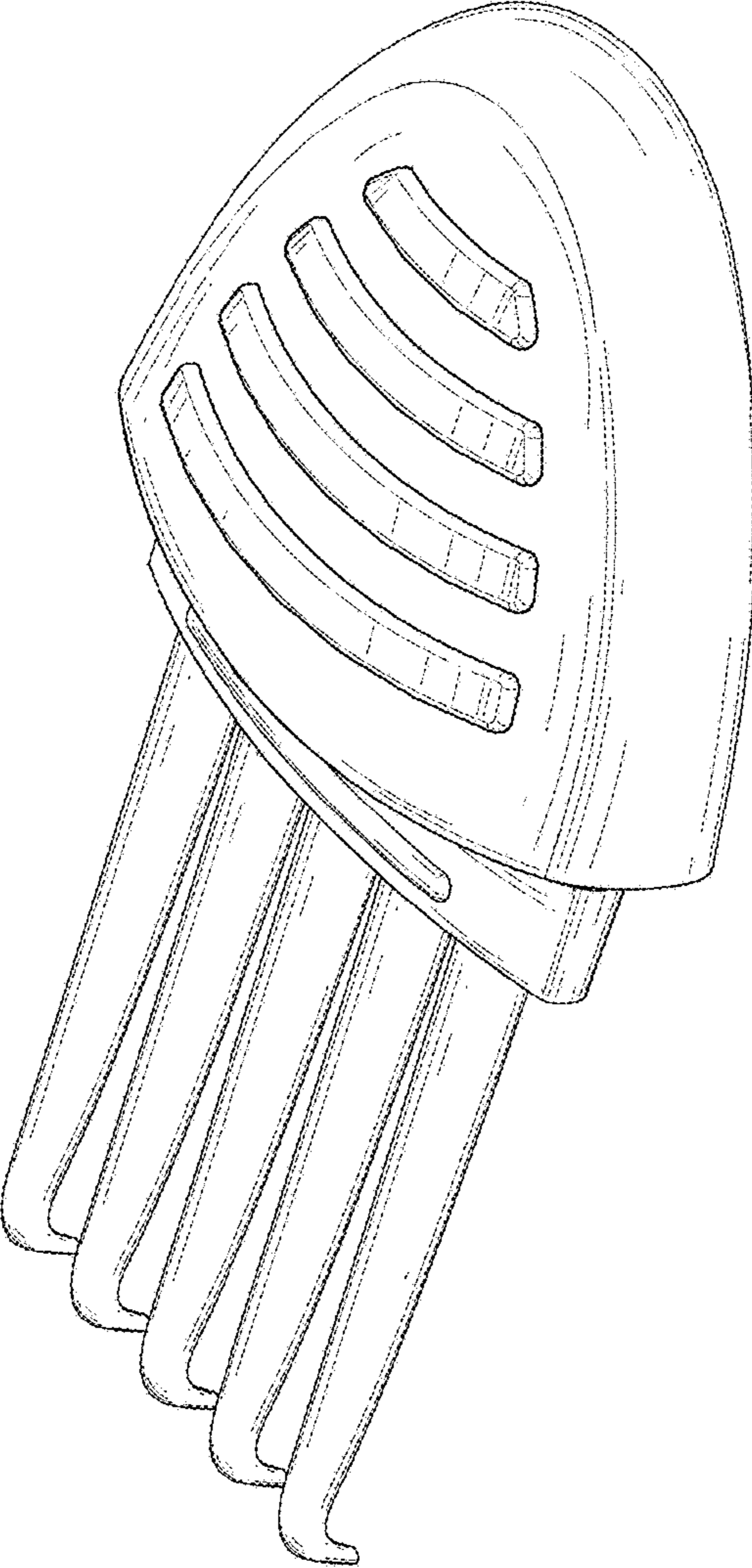


FIG. 15