



US00D796207S

(12) **United States Design Patent** (10) **Patent No.:** **US D796,207 S**  
**Morszeck** (45) **Date of Patent:** **\*\* Sep. 5, 2017**

(54) **SUITCASE**  
(71) Applicant: **RIMOWA GmbH**, Cologne (DE)  
(72) Inventor: **Dieter Morszeck**, Cologne (DE)  
(73) Assignee: **RIMOWA GmbH**, Cologne (DE)  
(\*\*) Term: **14 Years**

D601,802 S \* 10/2009 Chu ..... D3/321  
D613,054 S \* 4/2010 Morszeck ..... D3/205  
D630,850 S \* 1/2011 Gifford ..... D3/279  
D644,435 S \* 9/2011 Weng ..... D3/279  
D676,237 S \* 2/2013 Hansen ..... D3/279  
D703,435 S \* 4/2014 Wile ..... D3/279  
D714,057 S \* 9/2014 Hou ..... D3/279  
D715,541 S \* 10/2014 Morszeck ..... D3/232  
D719,351 S \* 12/2014 Hailwood ..... D3/279

(Continued)

(21) Appl. No.: **29/519,908**  
(22) Filed: **Mar. 9, 2015**

(30) **Foreign Application Priority Data**

Oct. 31, 2014 (EP) ..... 002569160  
Dec. 15, 2014 (EP) ..... 002597955

(51) **LOC (10) Cl.** ..... **03-01**  
(52) **U.S. Cl.**  
USPC ..... **D3/321**

(58) **Field of Classification Search**  
USPC ..... D3/273, 276, 279, 280, 281, 282, 283,  
D3/288, 289, 318, 321; D12/163, 165;  
D23/323, 330, 341, 354, 387, 418  
CPC ..... A45C 5/03; A45C 2005/032; A45C  
2005/035; A45C 2055/037; A45C 5/04;  
A45C 5/45; A45C 5/06; A45C 5/08;  
A45C 5/14; A45C 5/141; A45C 5/146;  
A45C 7/00; A45C 7/0018; A45C 7/0022;  
A45C 7/0027; A45C 7/031; A45C 7/0036  
See application file for complete search history.

(56) **References Cited**

**U.S. PATENT DOCUMENTS**

D354,166 S \* 1/1995 Lin ..... D3/276  
D364,504 S \* 11/1995 Bieber ..... D3/276  
5,645,146 A \* 7/1997 Bieber ..... A45C 13/262  
190/115  
D394,552 S \* 5/1998 Melk ..... D3/287  
D455,551 S \* 4/2002 Stephens ..... D3/276  
D459,579 S \* 7/2002 Kegels ..... D3/279

**OTHER PUBLICATIONS**

Salsa Air Mini Multiwheel by The Rimowa World posting date not  
given; [visited site on Mar. 15, 2016]. Available from internet at:  
<URL: <http://www.rimowa.com/en-us/salsa-air-mini-multiwheel-22l-ultra-violet-carry-on-luggage/820.42.22.4.html>>.\*

(Continued)

*Primary Examiner* — Karen S Acker  
*Assistant Examiner* — Wendy Arminio  
(74) *Attorney, Agent, or Firm* — Maier & Maier, PLLC

(57) **CLAIM**

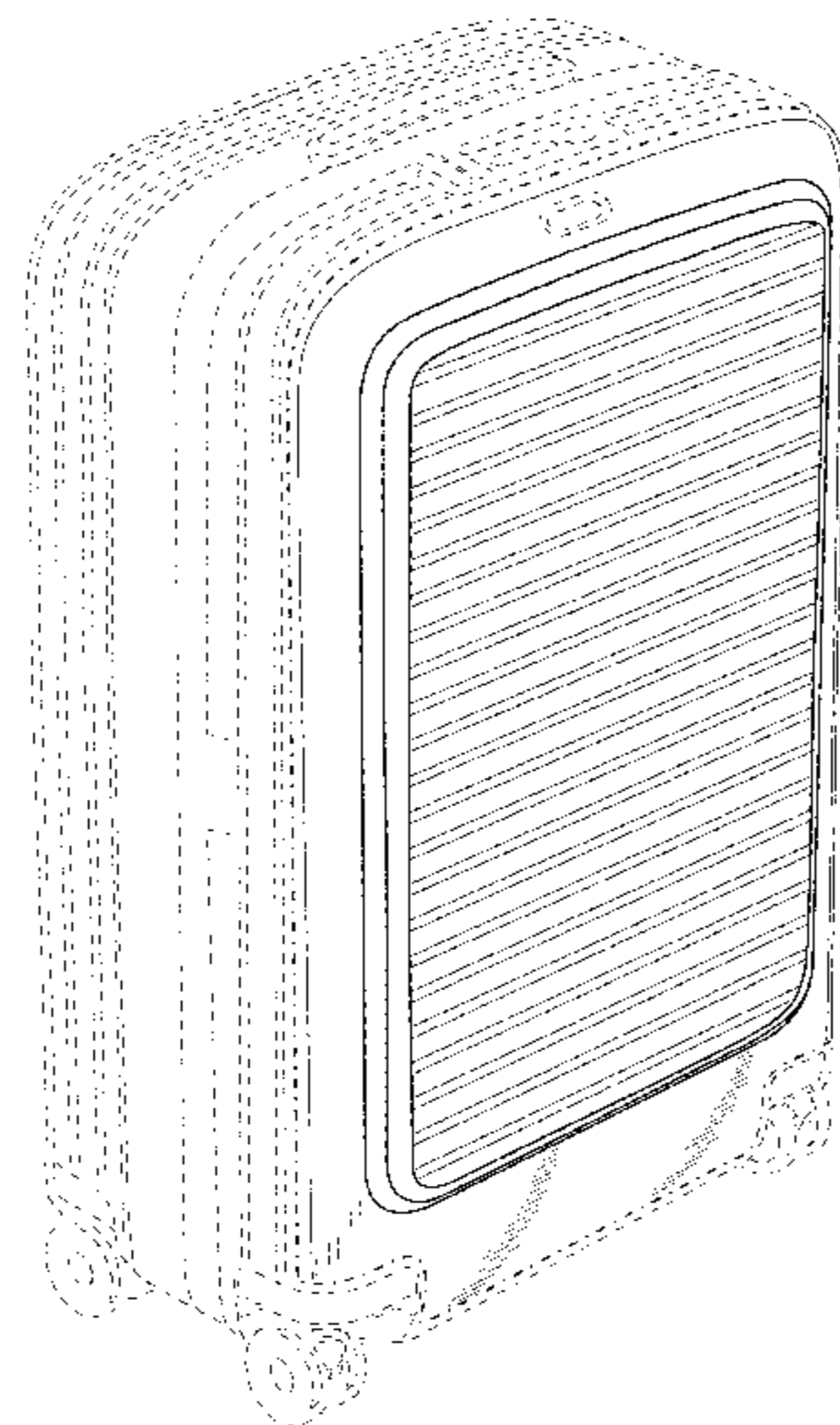
The ornamental design for a suitcase, as shown and  
described.

**DESCRIPTION**

FIG. 1 is a front left perspective view of a suitcase, showing  
my design;  
FIG. 2 is a front view thereof;  
FIG. 3 is a rear view thereof;  
FIG. 4 is a right side view thereof;  
FIG. 5 is a left side view thereof;  
FIG. 6 is a top view thereof; and,  
FIG. 7 is a bottom view thereof.

The dash-dash broken lines illustrate portions of the suitcase  
that form no part of the claimed design. The dash-dot-dash  
broken lines represent the boundaries of the claim that form  
no part of the claimed design.

**1 Claim, 6 Drawing Sheets**



(56)

**References Cited**

U.S. PATENT DOCUMENTS

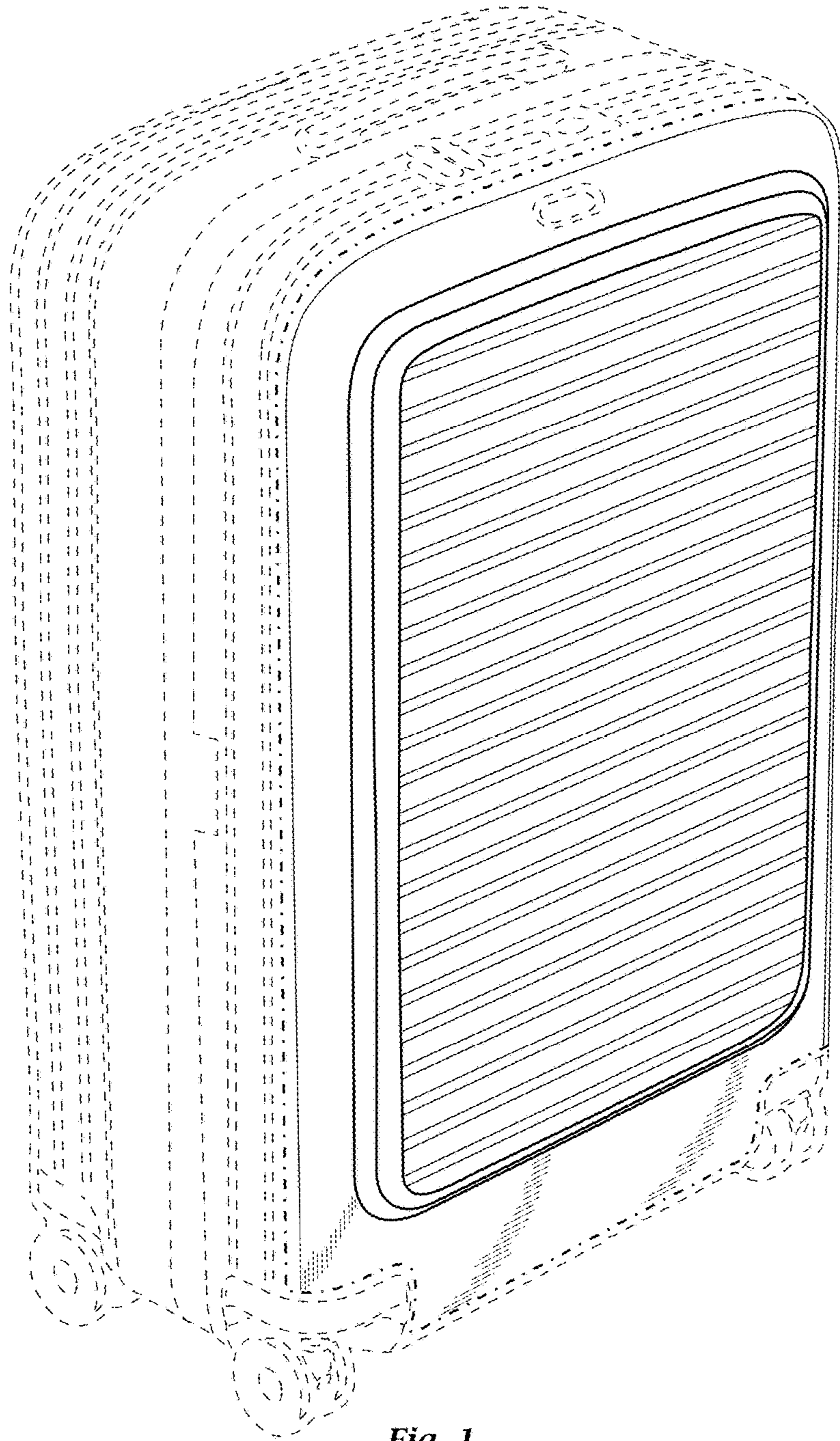
D720,534 S \* 1/2015 Chehebar ..... D3/279  
D728,933 S \* 5/2015 Sanz ..... D3/279  
D741,600 S \* 10/2015 Della Vecchia ..... D3/318  
2006/0201764 A1 \* 9/2006 Morszeck ..... A45C 5/02  
190/125  
2010/0101971 A1 \* 4/2010 Chisholm ..... A45C 5/03  
206/526  
2011/0155526 A1 \* 6/2011 Cheng ..... A45C 5/14  
190/18 A

OTHER PUBLICATIONS

Salsa Air Welter zur Kollektion Rimowa Shop by Rimowa Shop posted on web.archive.org on Apr. 15, 2013, available from internet at:<URL: <http://web.archive.org/web/20130415094359/https://rimowa-shop.ch/html>>.\*

Samsonite Ultimocabine Upright 50 CM posted by SusMaletas.com; posting date not given;[site visited on Mar. 8, 2016] Available from internet at: <URL:[https://www.susmaletas.com/en/samsonite\\_ultimocabin\\_upright\\_50\\_cm.php.html](https://www.susmaletas.com/en/samsonite_ultimocabin_upright_50_cm.php.html)>.\*

\* cited by examiner



*Fig. 1*



Fig. 2

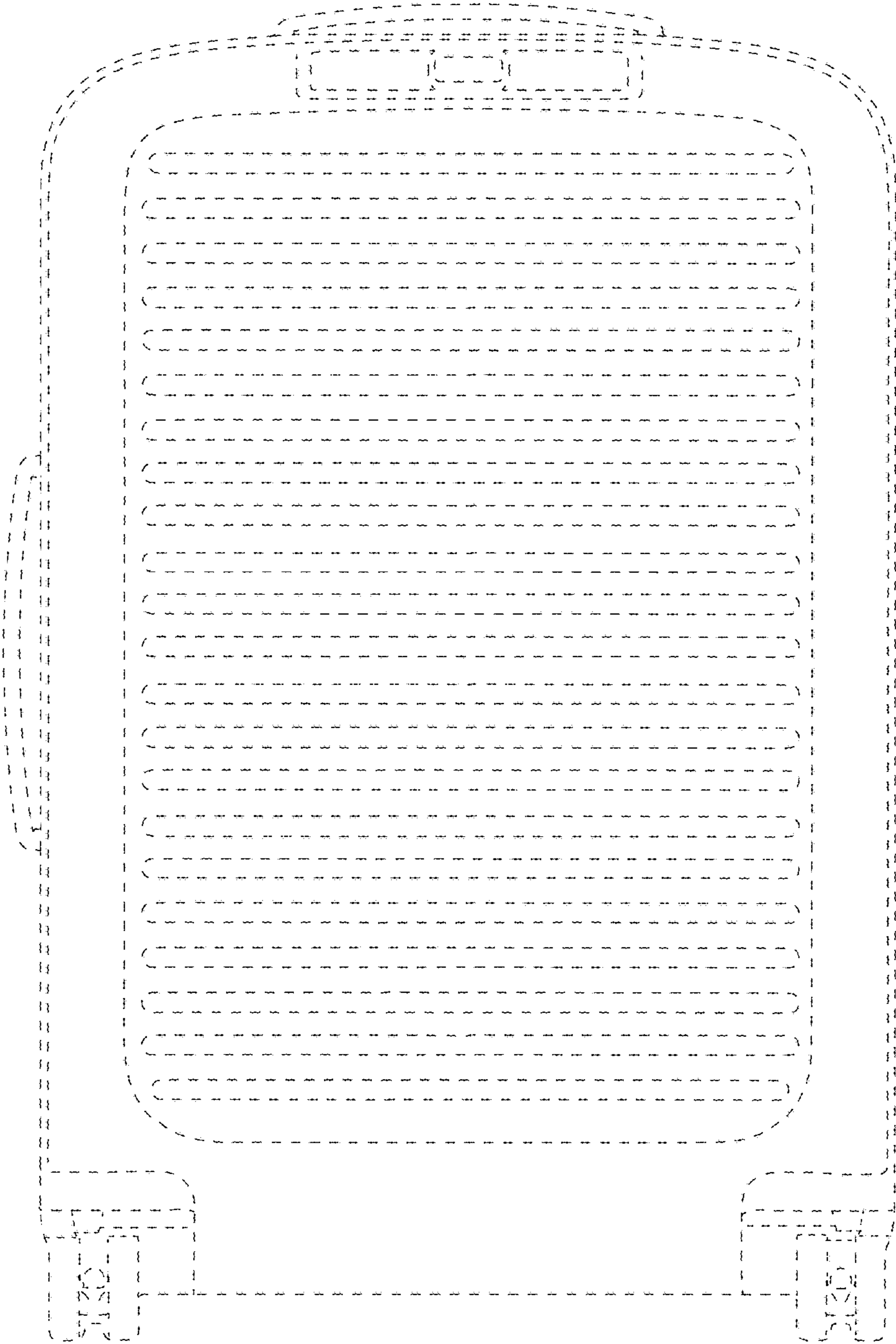


Fig. 3

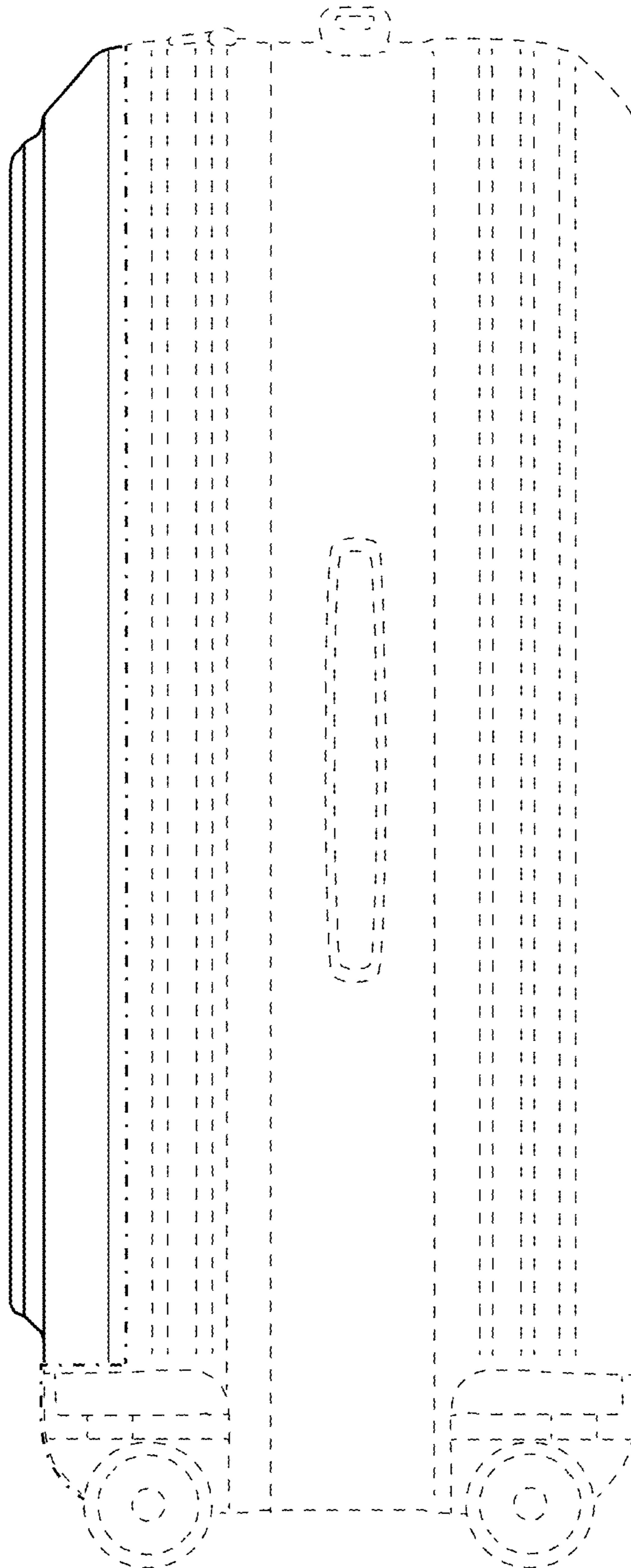
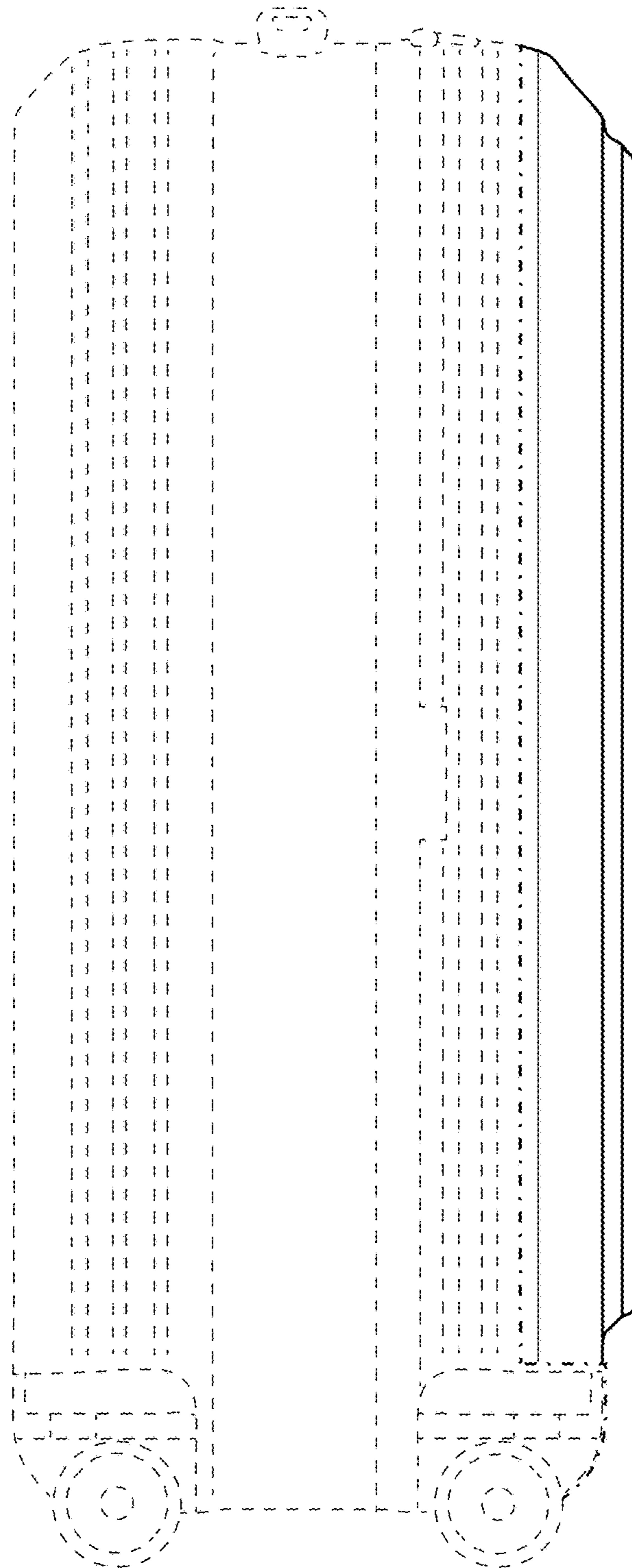


Fig. 4



*Fig. 5*

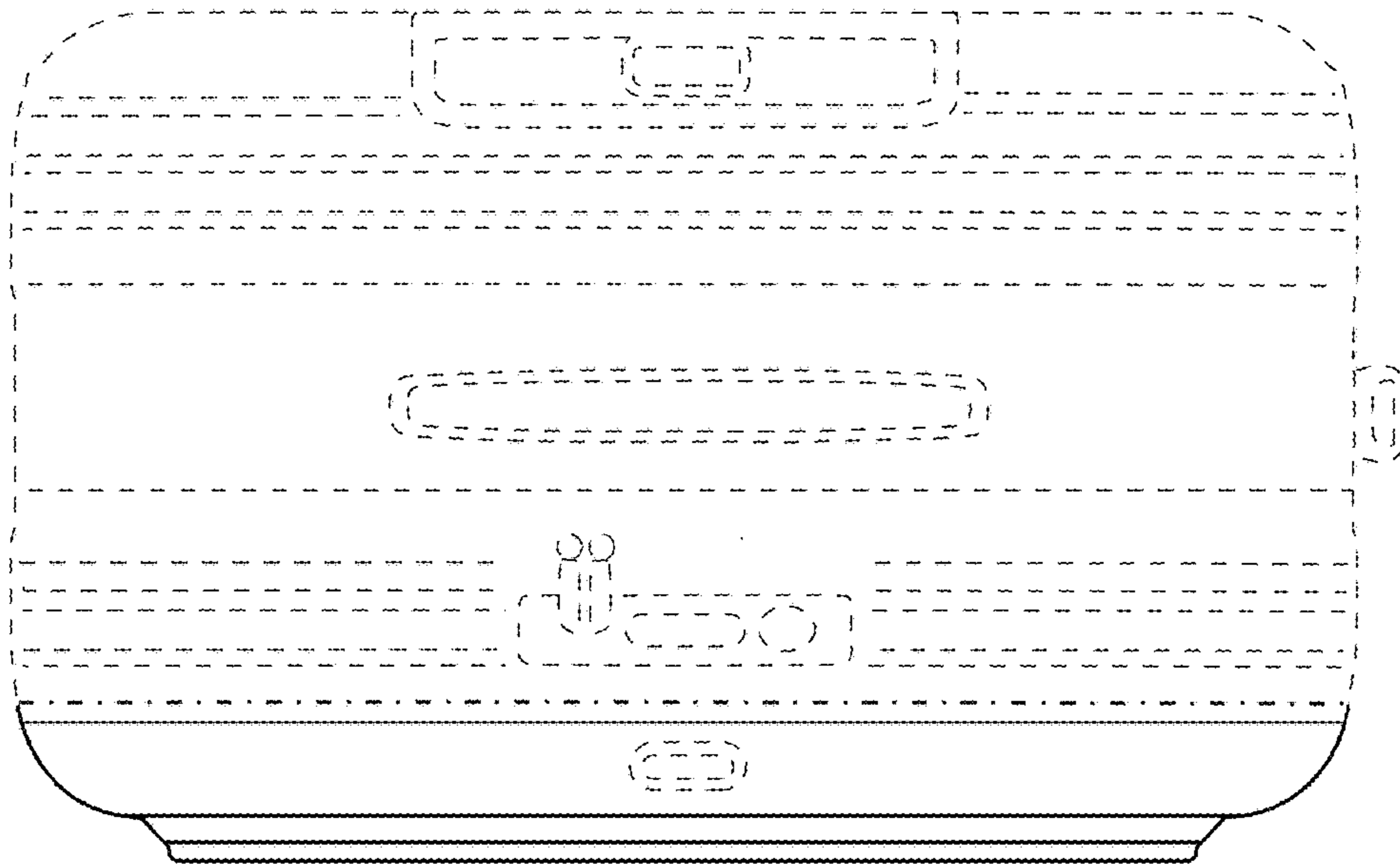


Fig. 6

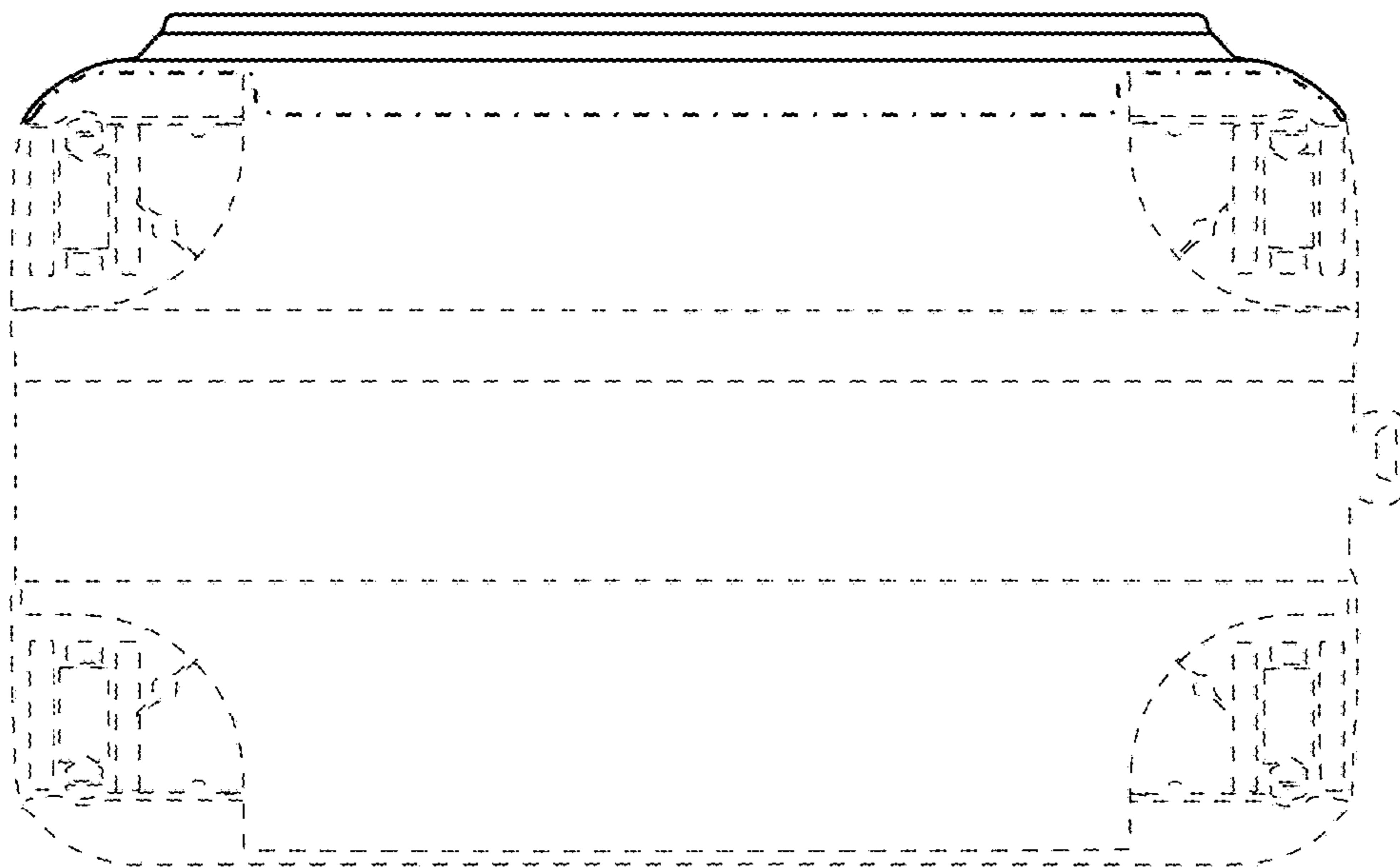


Fig. 7