



US00D796206S

(12) **United States Design Patent** (10) **Patent No.:** **US D796,206 S**  
**Newson** (45) **Date of Patent:** **\*\* Sep. 5, 2017**

(54) **HANDLE FOR LUGGAGE**  
(71) Applicant: **Louis Vuitton Malletier**, Paris (FR)  
(72) Inventor: **Marc Newson**, London (GB)  
(73) Assignee: **LOUIS VUITTON MALLETIER**, Paris (FR)  
(\*\*) Term: **15 Years**  
(21) Appl. No.: **29/567,346**  
(22) Filed: **Jun. 8, 2016**  
(30) **Foreign Application Priority Data**  
Dec. 18, 2015 (FR) ..... 2015-6155  
(51) **LOC (10) Cl.** ..... **03-01**  
(52) **U.S. Cl.**  
USPC ..... **D3/318**  
(58) **Field of Classification Search**  
USPC ..... D3/318  
CPC ..... A45F 11/18; A45F 11/182; A45F 5/10;  
A45F 5/14; B65D 33/06  
See application file for complete search history.  
(56) **References Cited**  
U.S. PATENT DOCUMENTS  
D457,320 S \* 5/2002 Beedham ..... D3/318  
D633,300 S \* 3/2011 Fair ..... D3/318

D663,526 S \* 7/2012 Wu ..... A45C 13/262  
D3/318  
D674,192 S \* 1/2013 Li ..... D3/318  
D716,556 S \* 11/2014 Tong ..... D3/318  
\* cited by examiner

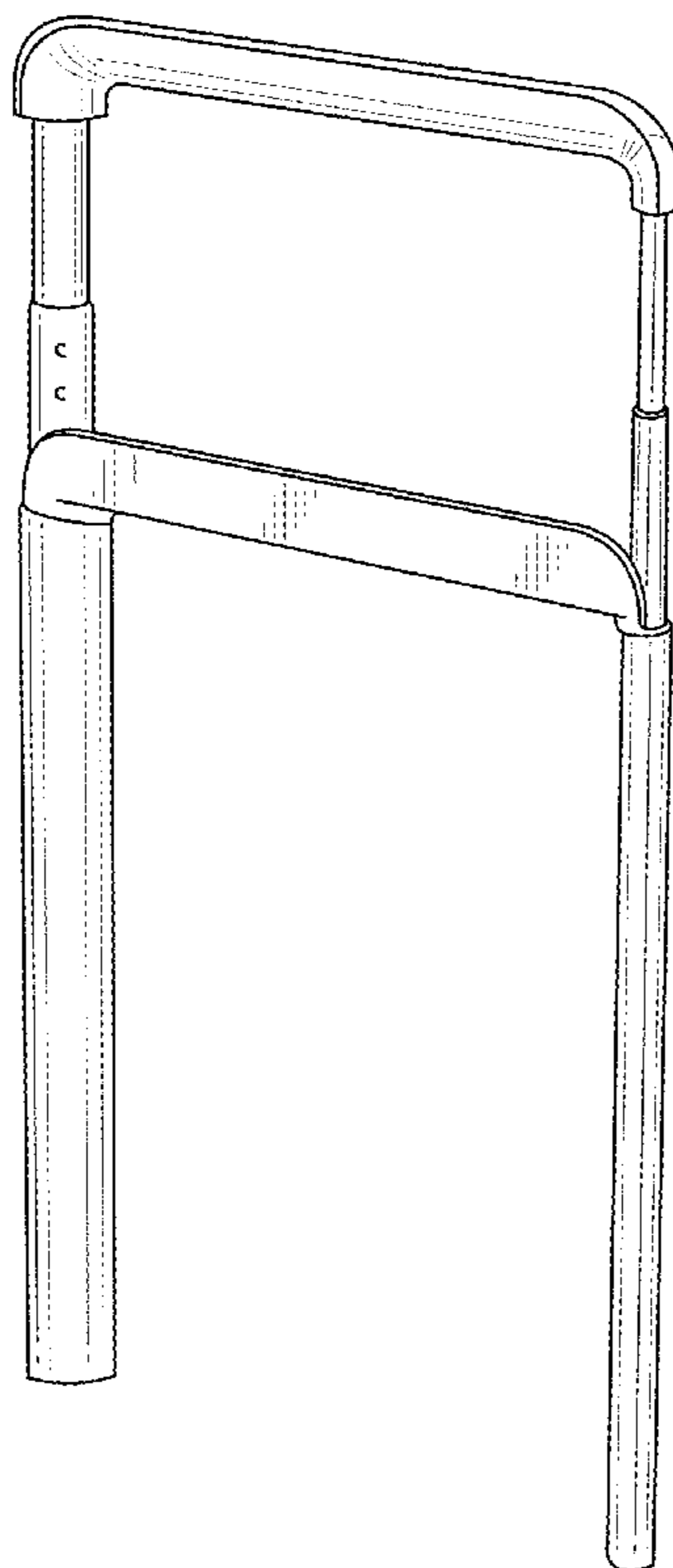
*Primary Examiner* — Holly Baynham  
(74) *Attorney, Agent, or Firm* — Finnegan, Henderson, Farabow, Garrett & Dunner, LLP

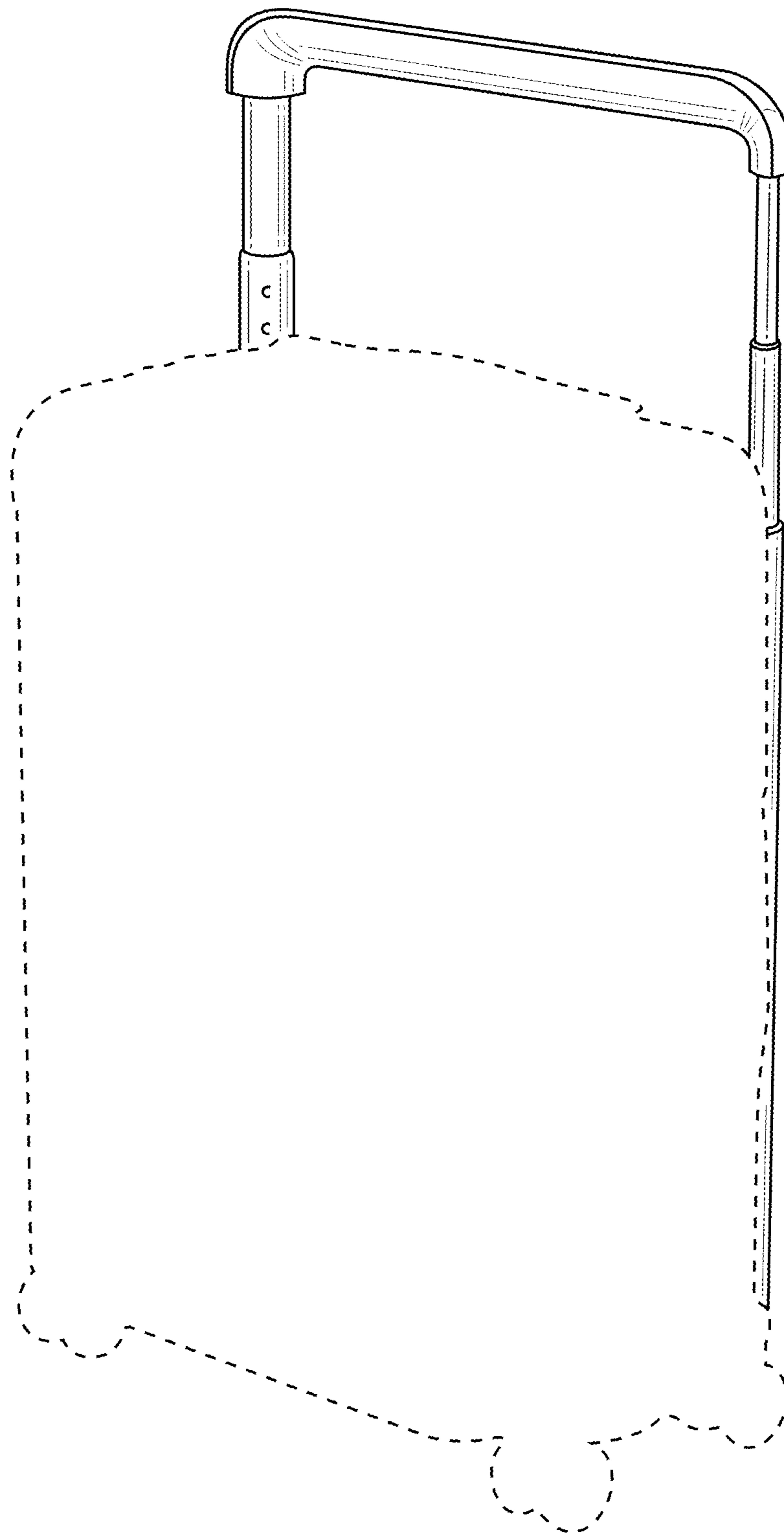
(57) **CLAIM**  
The ornamental design for a handle for luggage, as shown and described.

**DESCRIPTION**

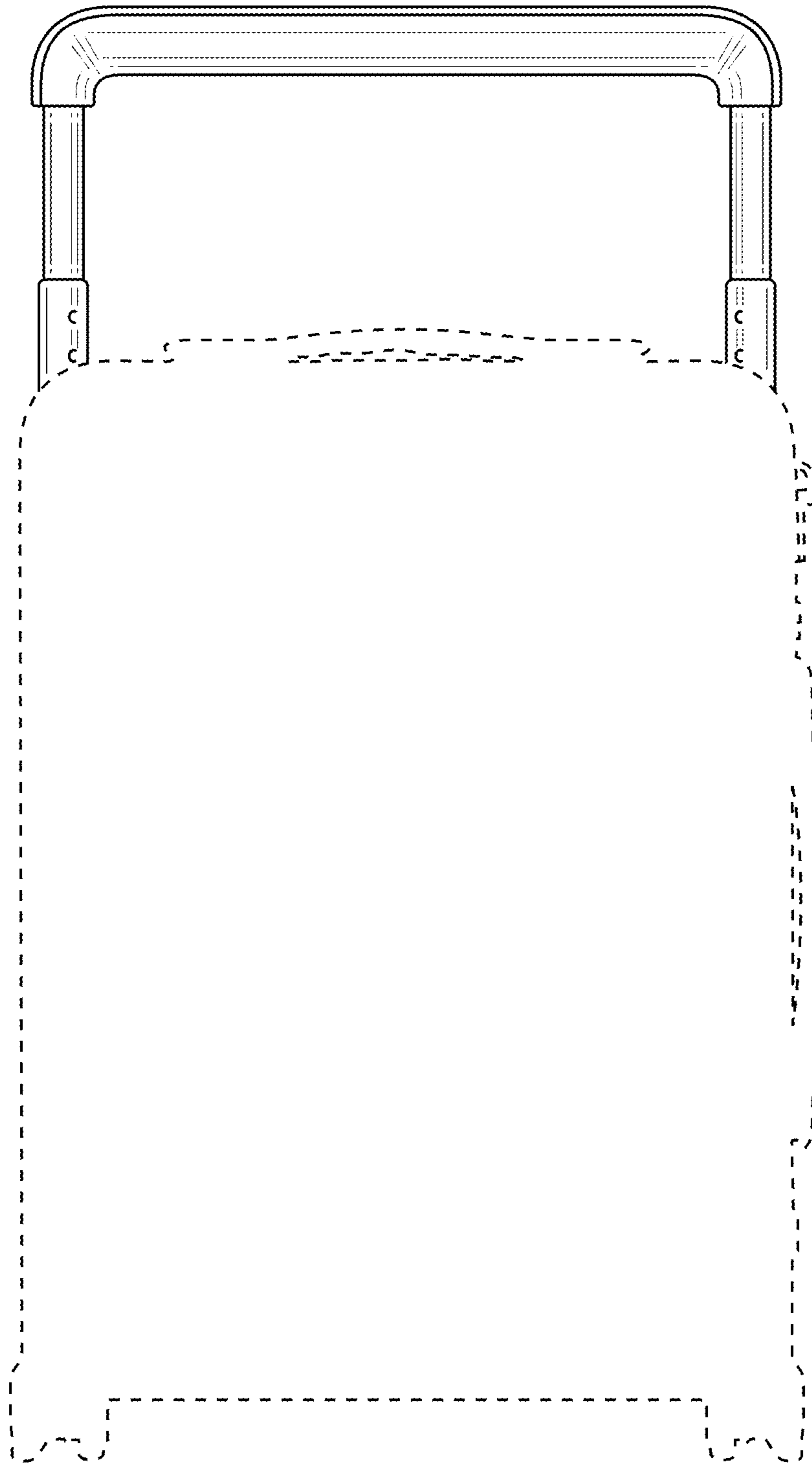
FIG. 1 is a top, front, right perspective view of a handle showing my new design;  
FIG. 2 is a front elevation view thereof;  
FIG. 3 is rear elevation view thereof;  
FIG. 4 is a top plan view thereof;  
FIG. 5 is a bottom plan view thereof;  
FIG. 6 is a right side view thereof;  
FIG. 7 is a left side view thereof;  
FIG. 8 is a perspective view thereof with the luggage in an open position, the interior of the suitcase forming no part of the claimed design;  
FIG. 9 is a top, front, right perspective view as shown in FIG. 1 without the associated shell of the luggage; and,  
FIG. 10 is a front elevation view thereof.  
The portions of the luggage shown in dashed lines do not form part of the claimed design.

**1 Claim, 10 Drawing Sheets**

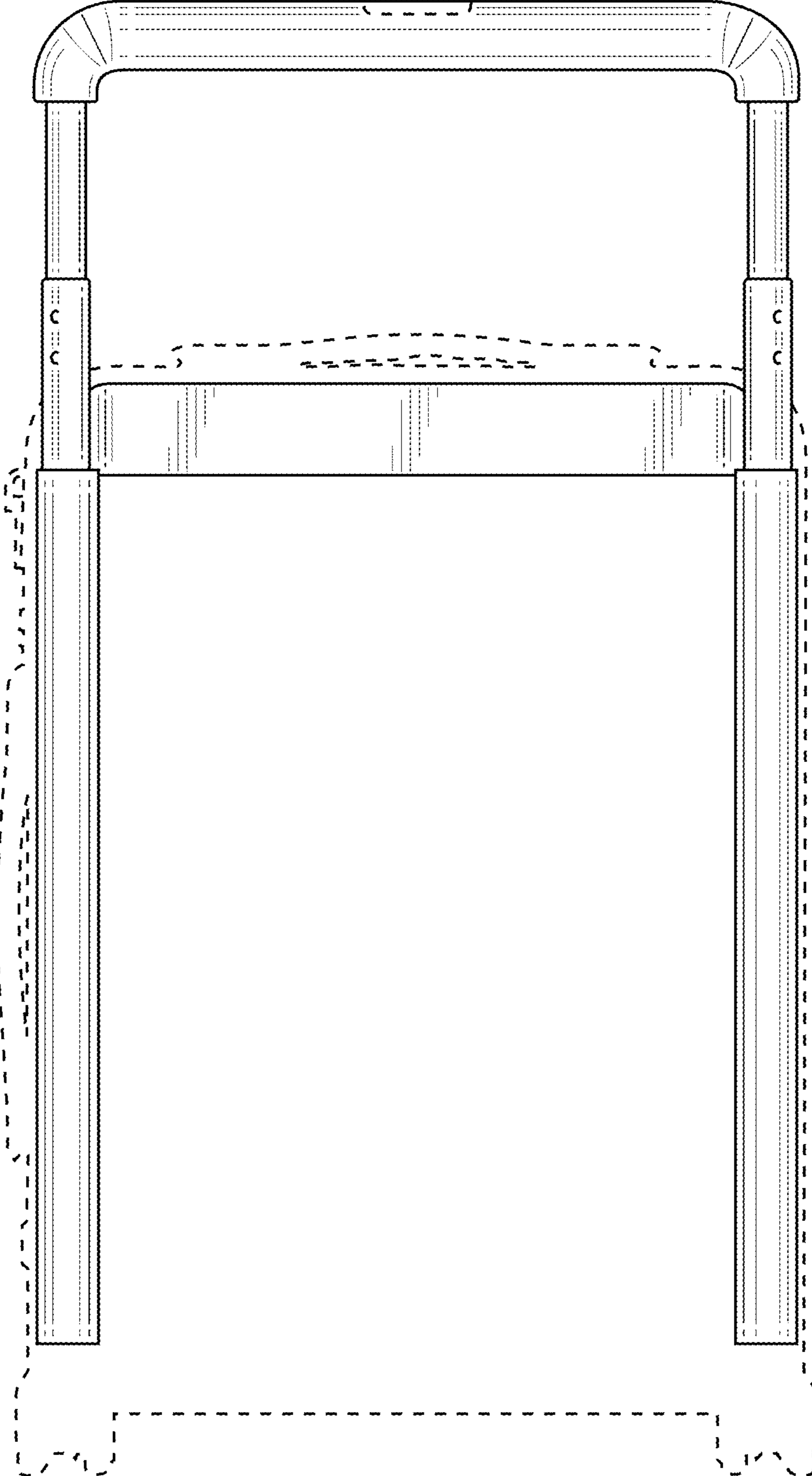




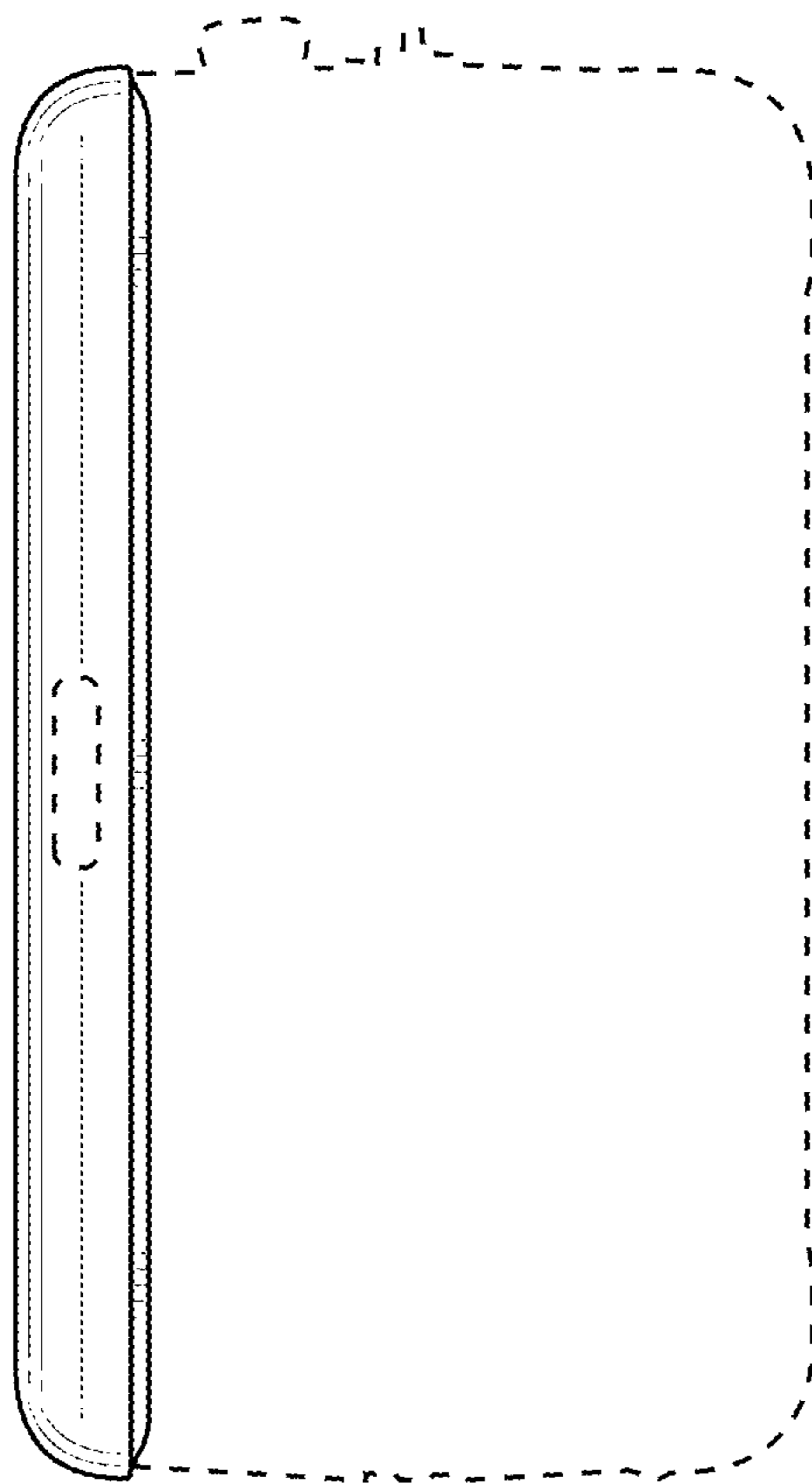
**FIG. 1**



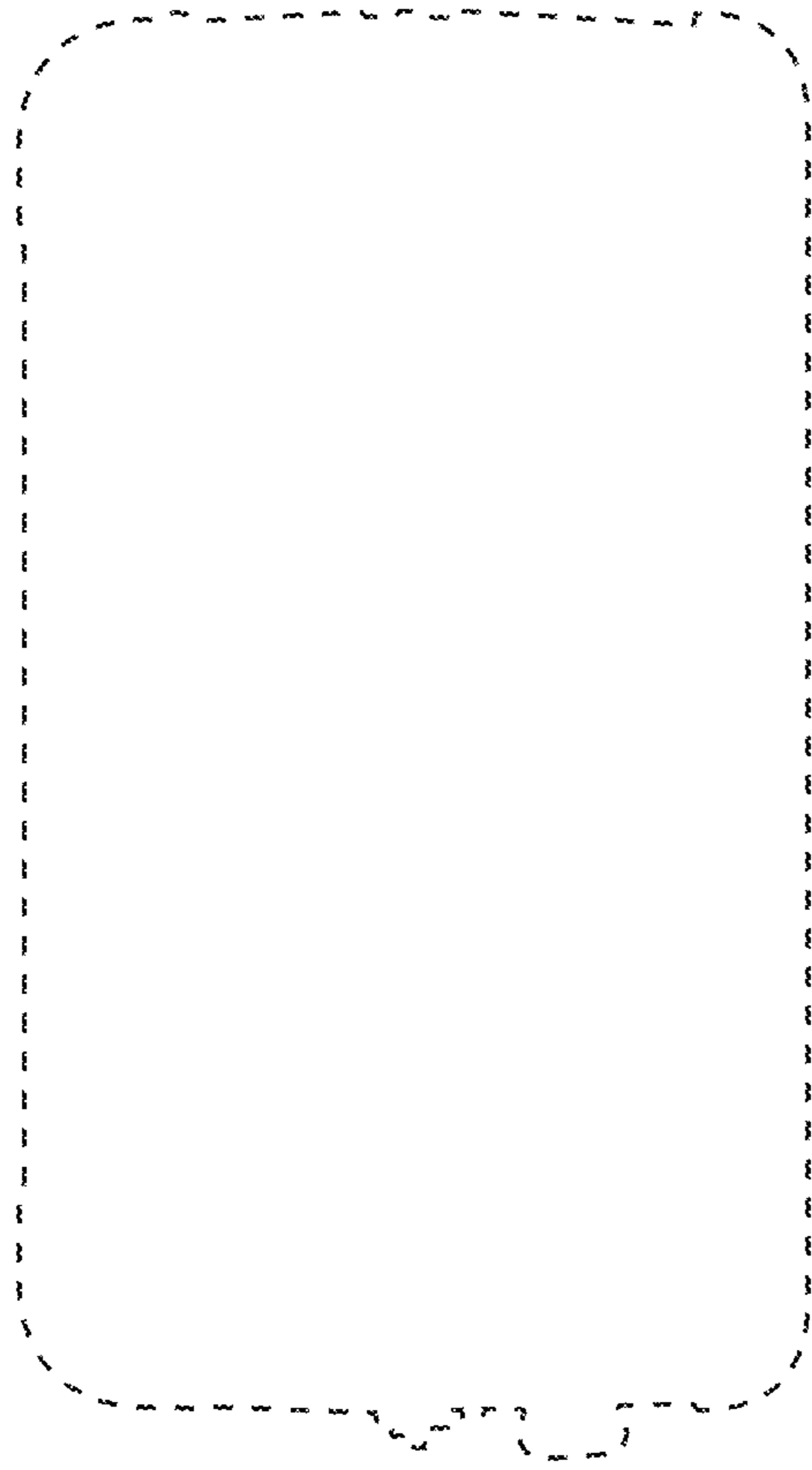
**FIG. 2**



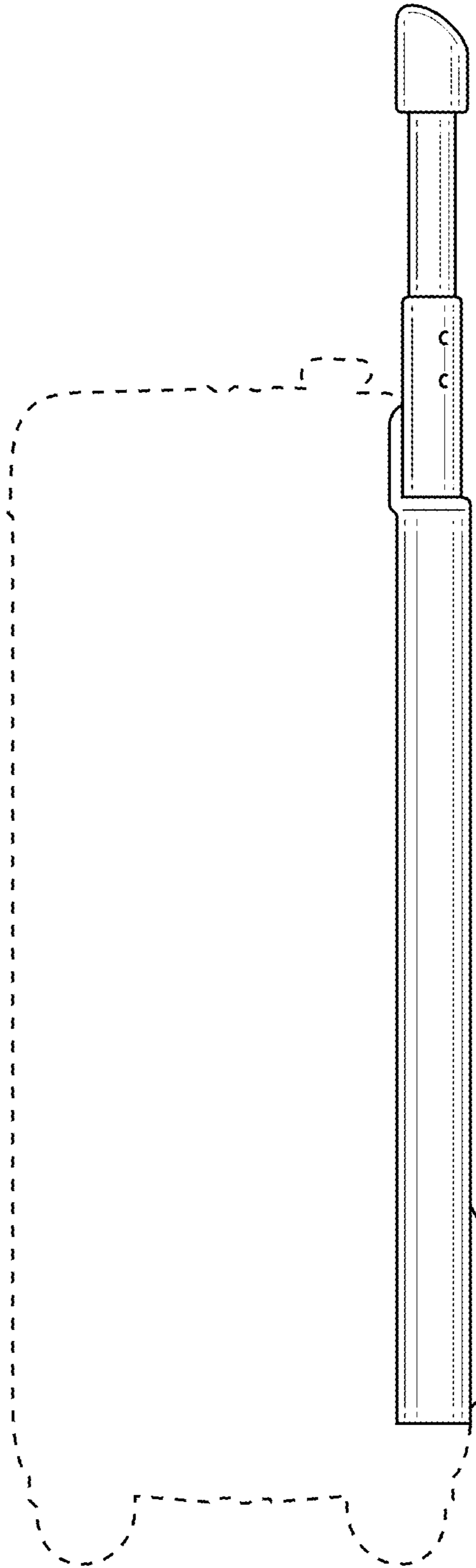
**FIG. 3**



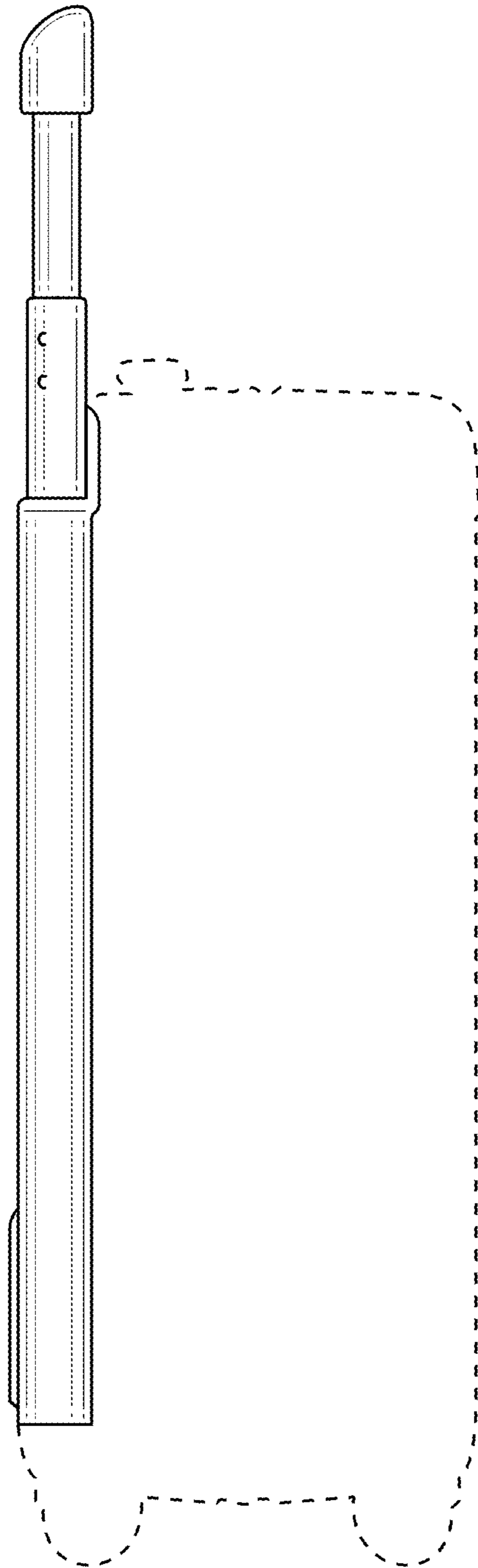
**FIG. 4**



**FIG. 5**

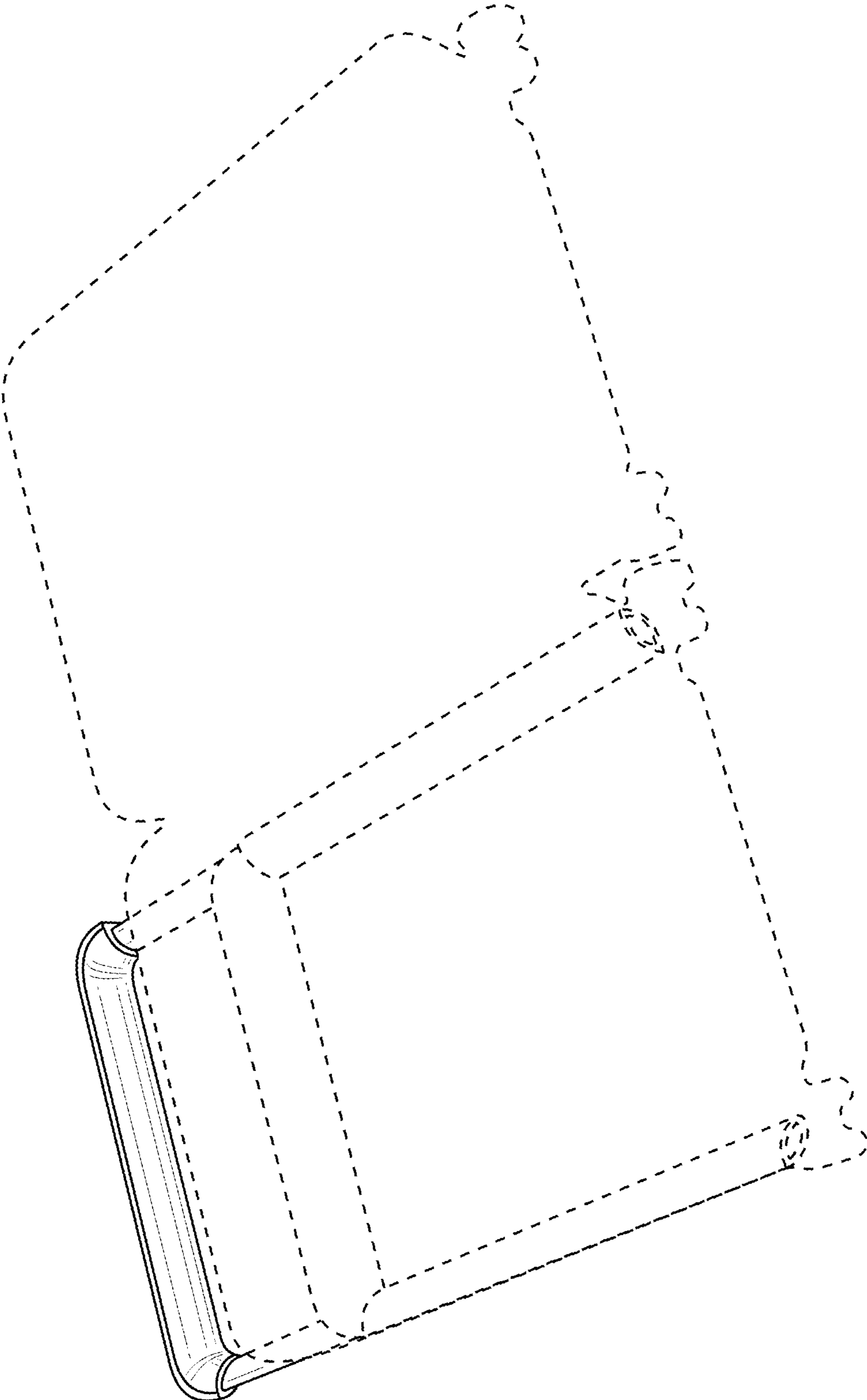


**FIG. 6**

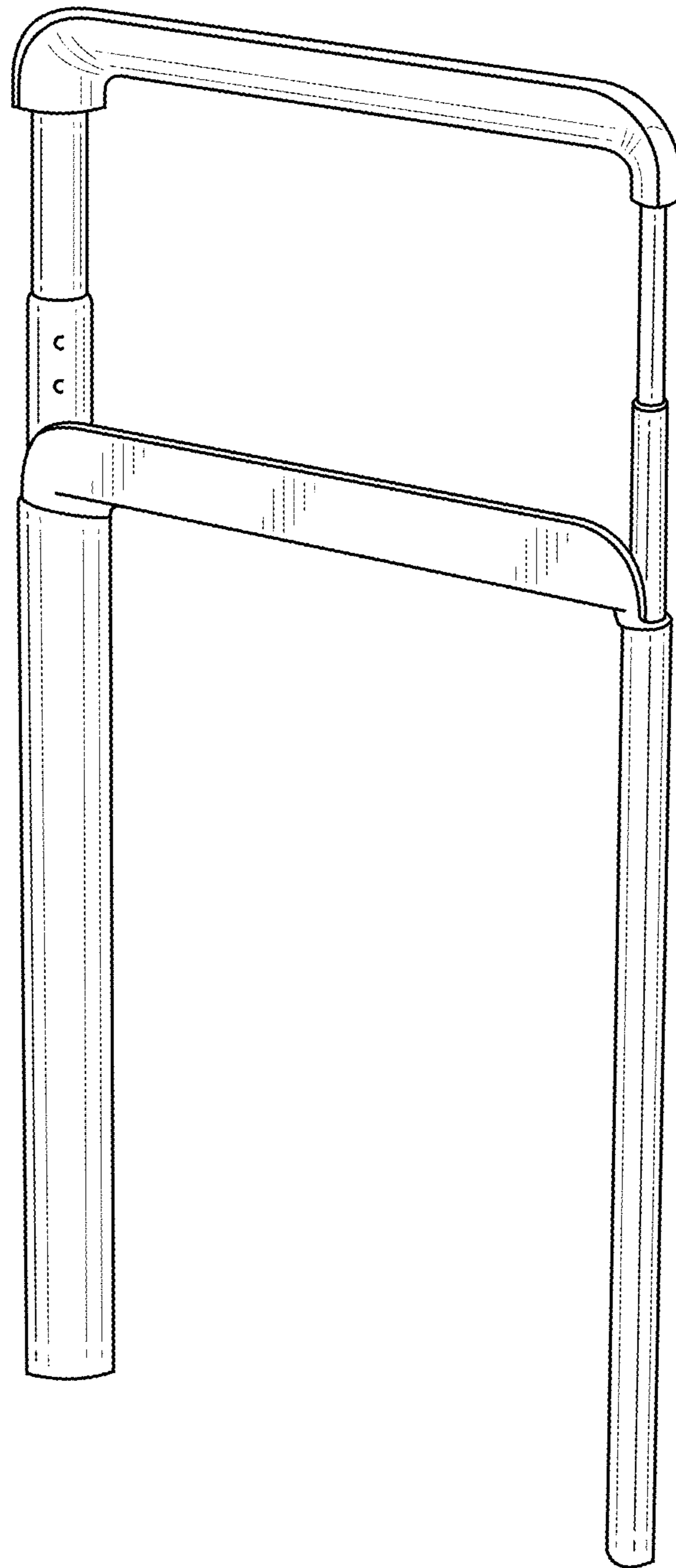


**FIG. 7**

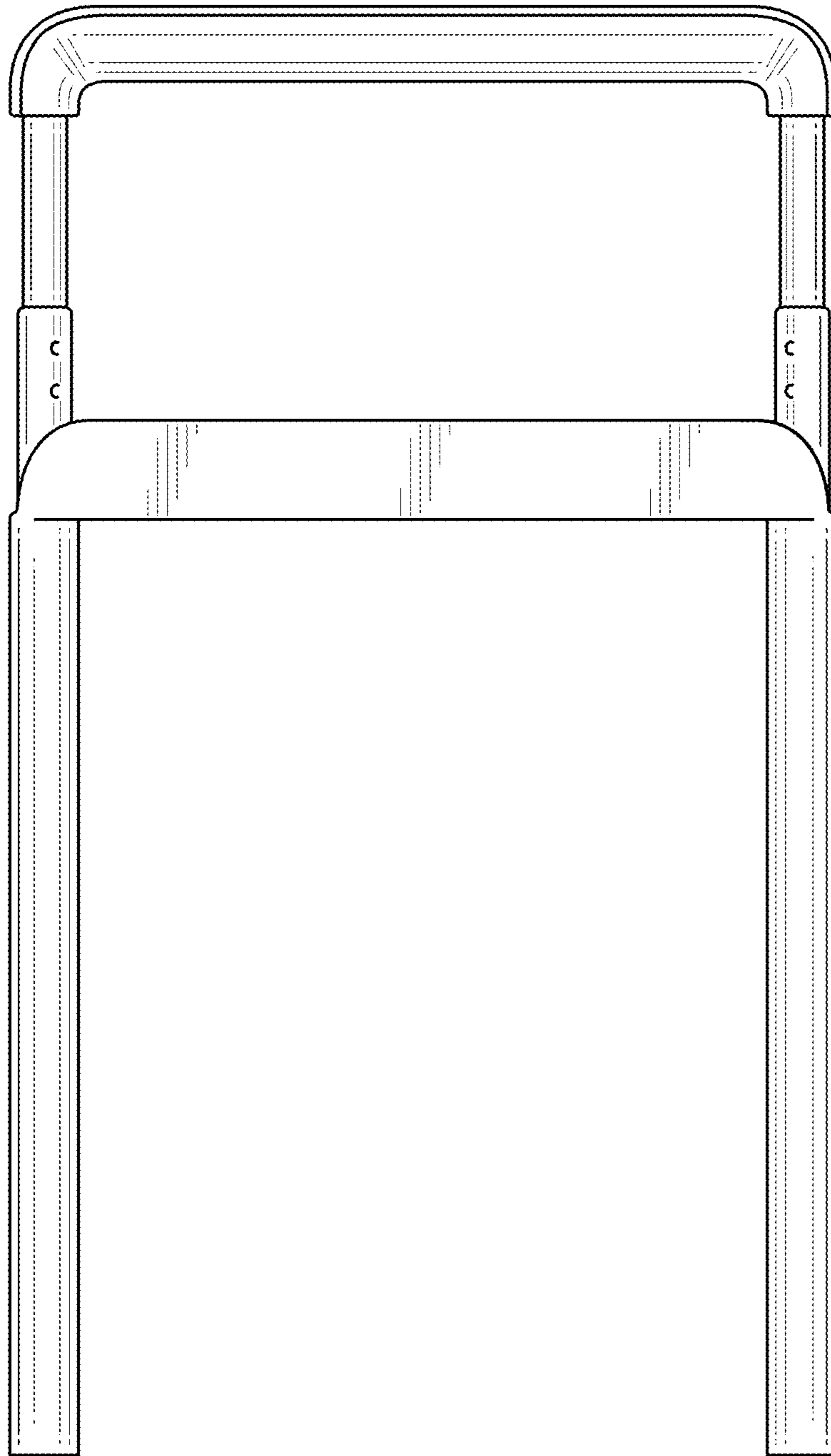




**FIG. 8**



**FIG. 9**



**FIG. 10**