



US00D796201S

(12) **United States Design Patent** (10) **Patent No.:** **US D796,201 S**
Willows et al. (45) **Date of Patent:** **** *Sep. 5, 2017**

(54) **POUCH**

(71) Applicant: **Amphipod, Inc.**, Seattle, WA (US)

(72) Inventors: **Keith S. Willows**, Seattle, WA (US);
June A. Angus, Seattle, WA (US);
Antonio Del Rosario, Bellevue, WA (US)

(73) Assignee: **AMPHIPOD, INC.**, Seattle, WA (US)

(*) Notice: This patent is subject to a terminal disclaimer.

(**) Term: **14 Years**

(21) Appl. No.: **29/522,360**

(22) Filed: **Mar. 30, 2015**

(51) **LOC (10) Cl.** **03-01**

(52) **U.S. Cl.**
USPC **D3/301**

(58) **Field of Classification Search**
USPC D3/234, 255, 271.9, 320, 256, 262, 279,
D3/299, 301, 303, 318, 319, 273, 289,
D3/292, 294-296, 232, 244; D9/420, 424
CPC .. A45C 1/00; A45C 1/02; A45C 1/024; A45C
1/08; A45C 3/00; A45C 3/10; A45C
2003/001; A45C 2011/003; A45C 5/00;
A45C 7/00; A45C 7/0018; A45C 7/0054;
A45C 7/0059; A45C 7/0095; A45C
2200/00; A45C 13/00; A45C 13/001;
A45C 13/002; A45C 13/08; A45C 11/24;
A45F 3/00; A45F 3/02; A45F 3/04; A45F
3/06; A45F 2003/001; A45F 2003/002;
A45F 2003/006; A45F 2200/00; A45F
2200/0525

See application file for complete search history.

(56) **References Cited**

U.S. PATENT DOCUMENTS

D89,545 S * 3/1933 Jahncke 150/117
D409,380 S 5/1999 Angus et al.

D415,892 S 11/1999 Angus et al.
D448,925 S 10/2001 Willows et al.
D458,021 S 6/2002 Willows et al.
D467,079 S 12/2002 Willows et al.
D479,041 S * 9/2003 Fonfeder D3/206
D484,307 S 12/2003 Willows et al.
6,698,636 B2 3/2004 Angus et al.
D490,238 S * 5/2004 Bristel D3/226
D611,253 S * 3/2010 Lown D3/301
D629,195 S * 12/2010 Jusic D3/273
D645,251 S * 9/2011 Lee D3/301
D662,713 S * 7/2012 Marshall D3/315
D665,170 S * 8/2012 Lipfert D3/289
D669,268 S * 10/2012 Phillips D3/301
D685,185 S * 7/2013 Bulzis D3/266
D685,187 S * 7/2013 Willows D3/301

(Continued)

Primary Examiner — Sandra Snapp

Assistant Examiner — Holly E Thurman

(74) *Attorney, Agent, or Firm* — Lowe Graham Jones PLLC

(57) **CLAIM**

We claim the ornamental design for a pouch, as shown and described.

DESCRIPTION

FIG. 1 is a front perspective view of the pouch, showing our new design.

FIG. 2 is a back perspective view of the pouch.

FIG. 3 is a front elevational view of the pouch.

FIG. 4 is a rear elevational view of the pouch.

FIG. 5 is a top plan view of the pouch.

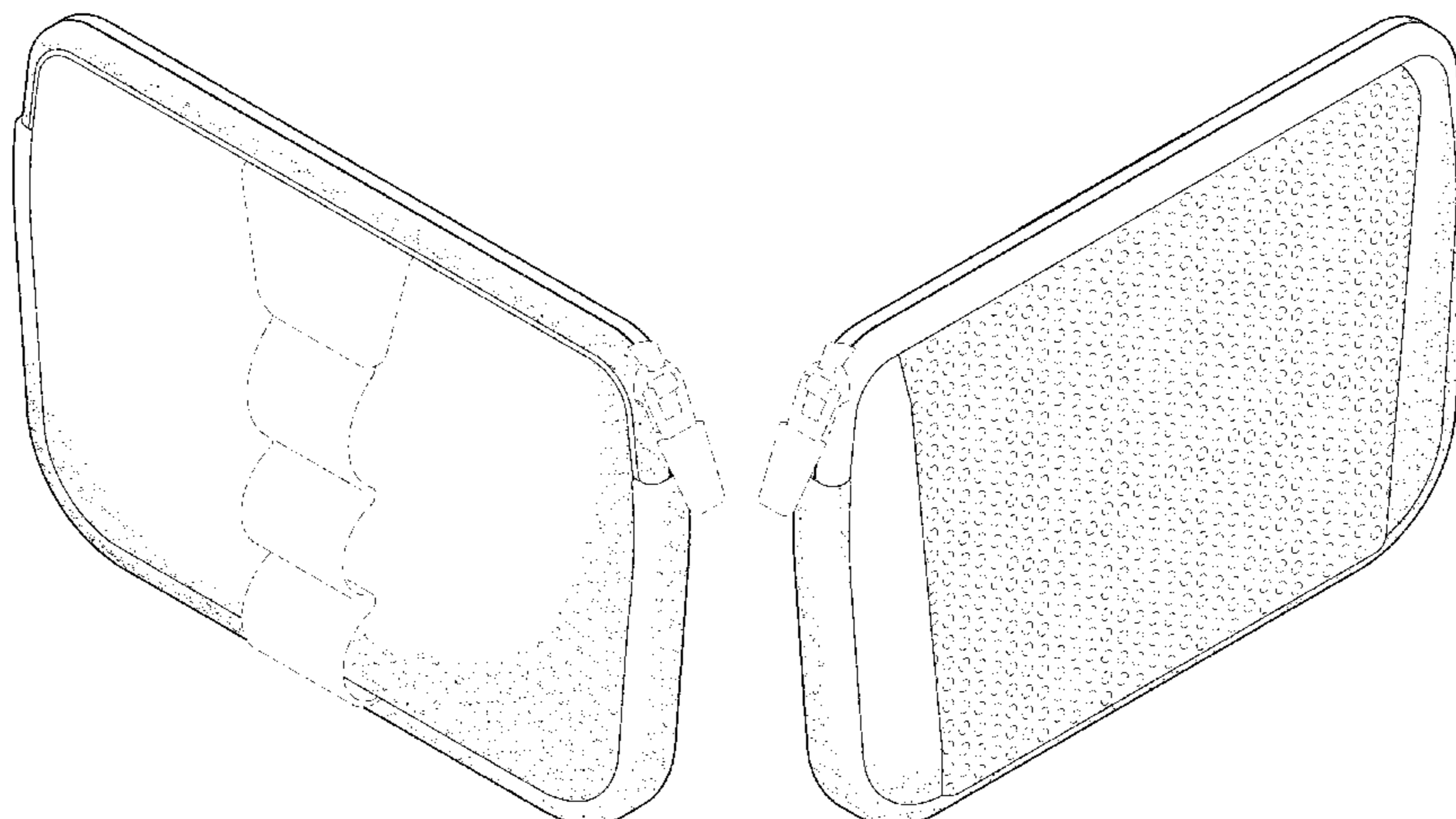
FIG. 6 is a bottom plan view of the pouch.

FIG. 7 is a right side elevational view of the pouch; and,

FIG. 8 is a left side elevational view of the pouch.

The broken lines shown in the drawings indicate unclaimed subject matter and form no part of the claimed design.

1 Claim, 6 Drawing Sheets



(56)

References Cited

U.S. PATENT DOCUMENTS

D690,938	S	*	10/2013	Willows	D3/303
D692,665	S	*	11/2013	Willows	D3/303
D706,028	S		6/2014	Willows et al.	
D706,031	S		6/2014	Willows et al.	
D707,963	S	*	7/2014	Szewczyk	D3/232
D712,144	S	*	9/2014	Albanese	D3/301
D713,642	S	*	9/2014	Krauss	D3/301
D727,027	S	*	4/2015	Winters	D3/301
D748,915	S	*	2/2016	Reyes	D3/301
D772,574	S	*	11/2016	Willows	D3/303

* cited by examiner

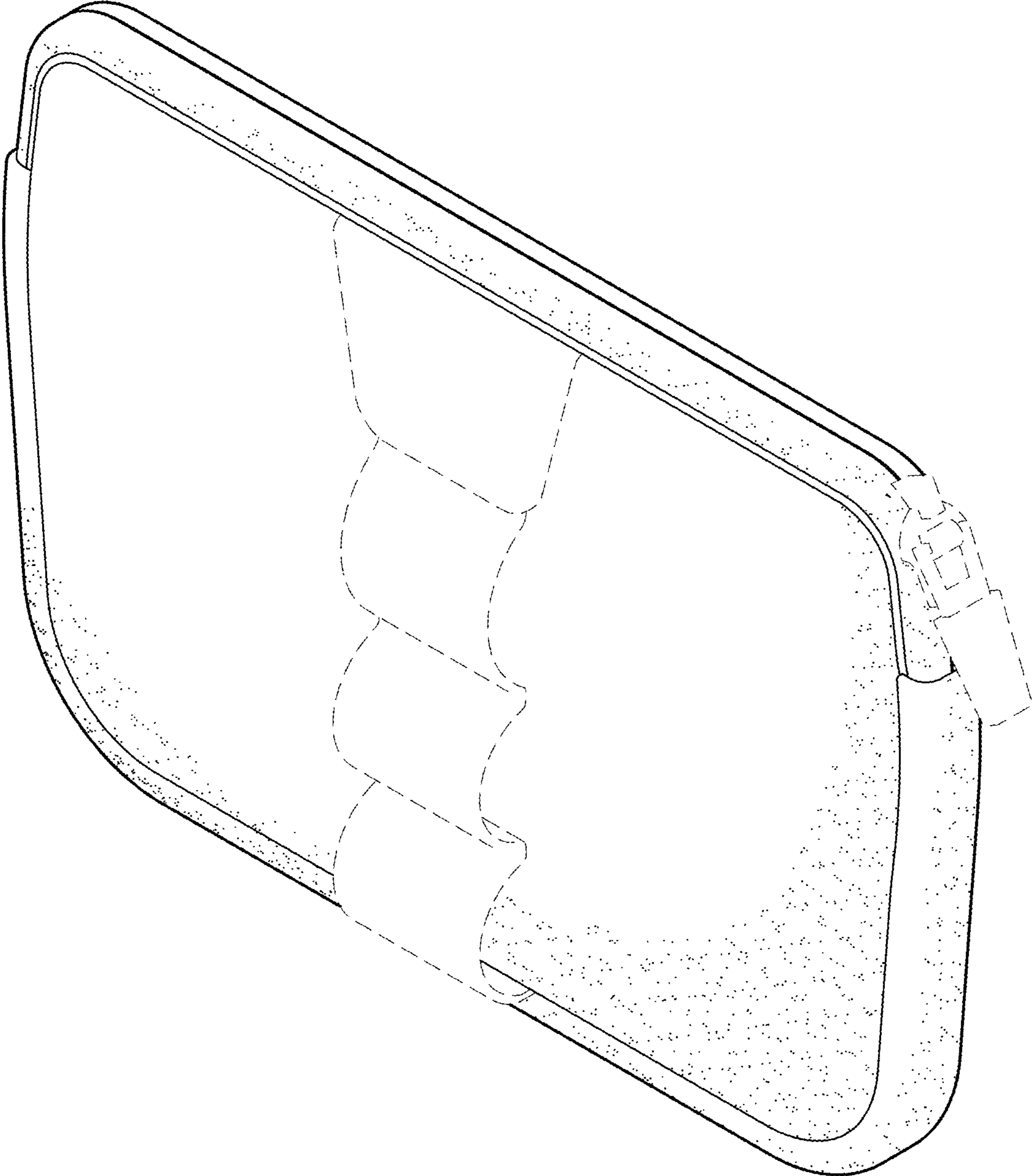


FIG.1

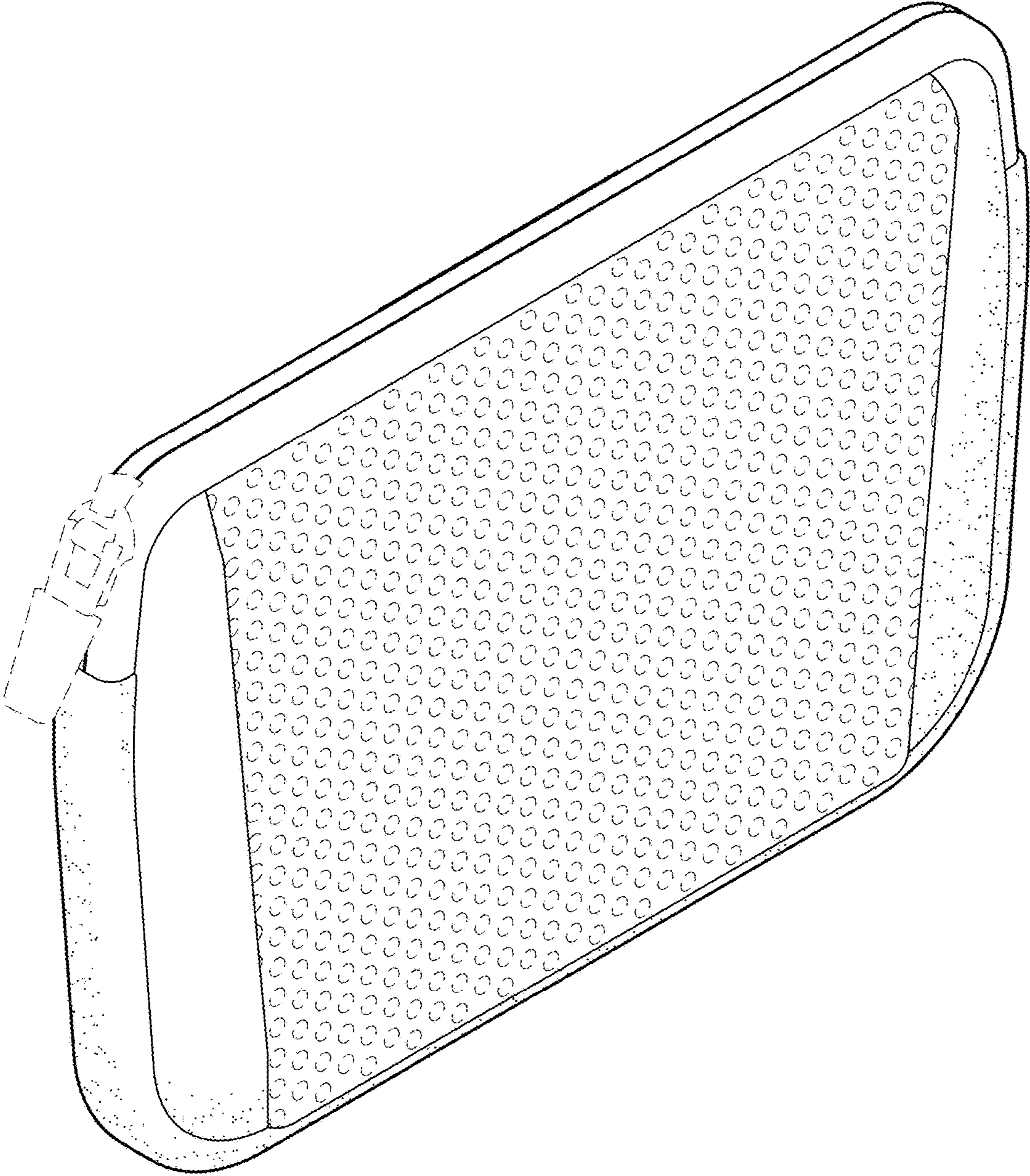


FIG. 2

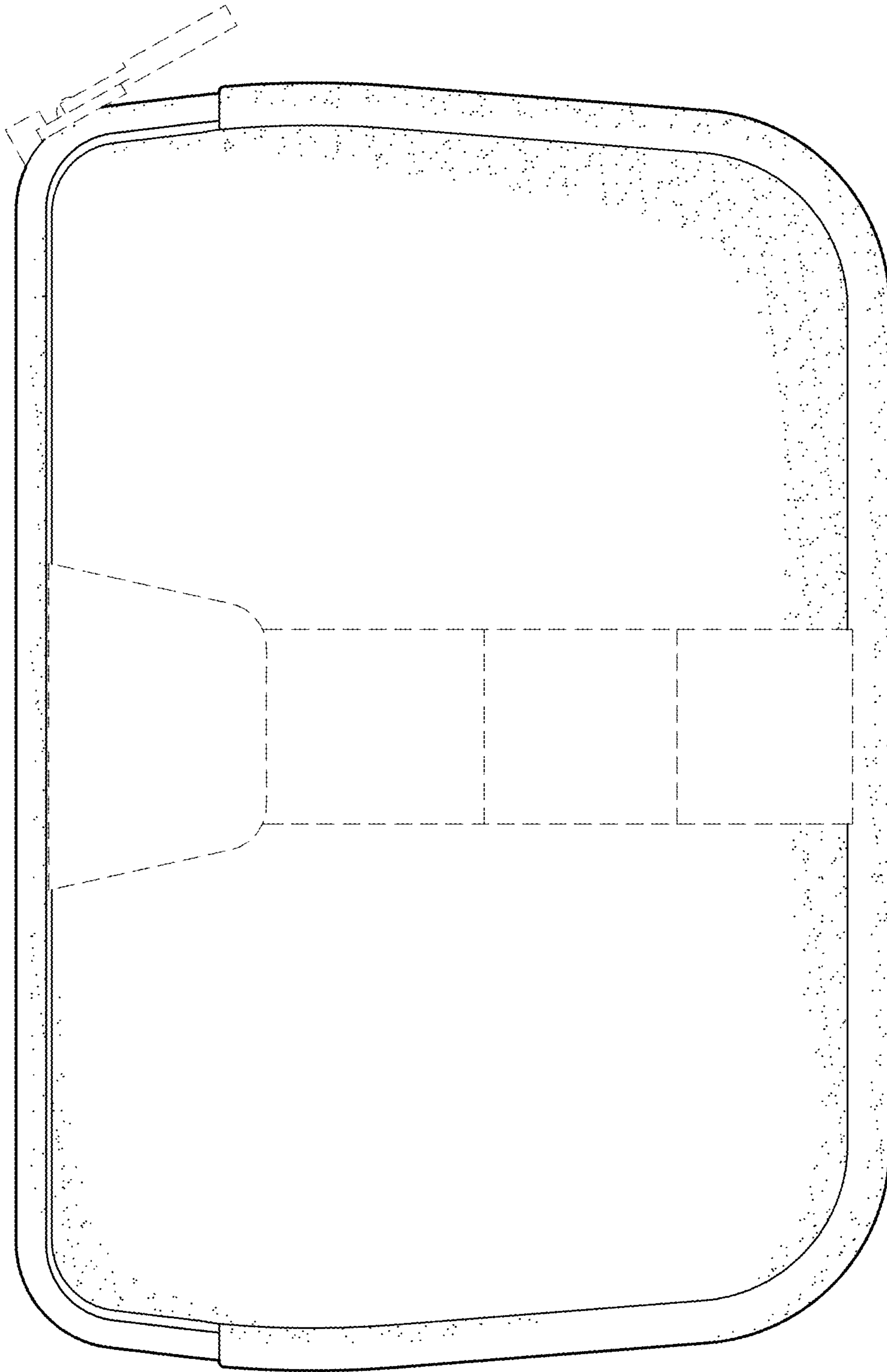


FIG. 3

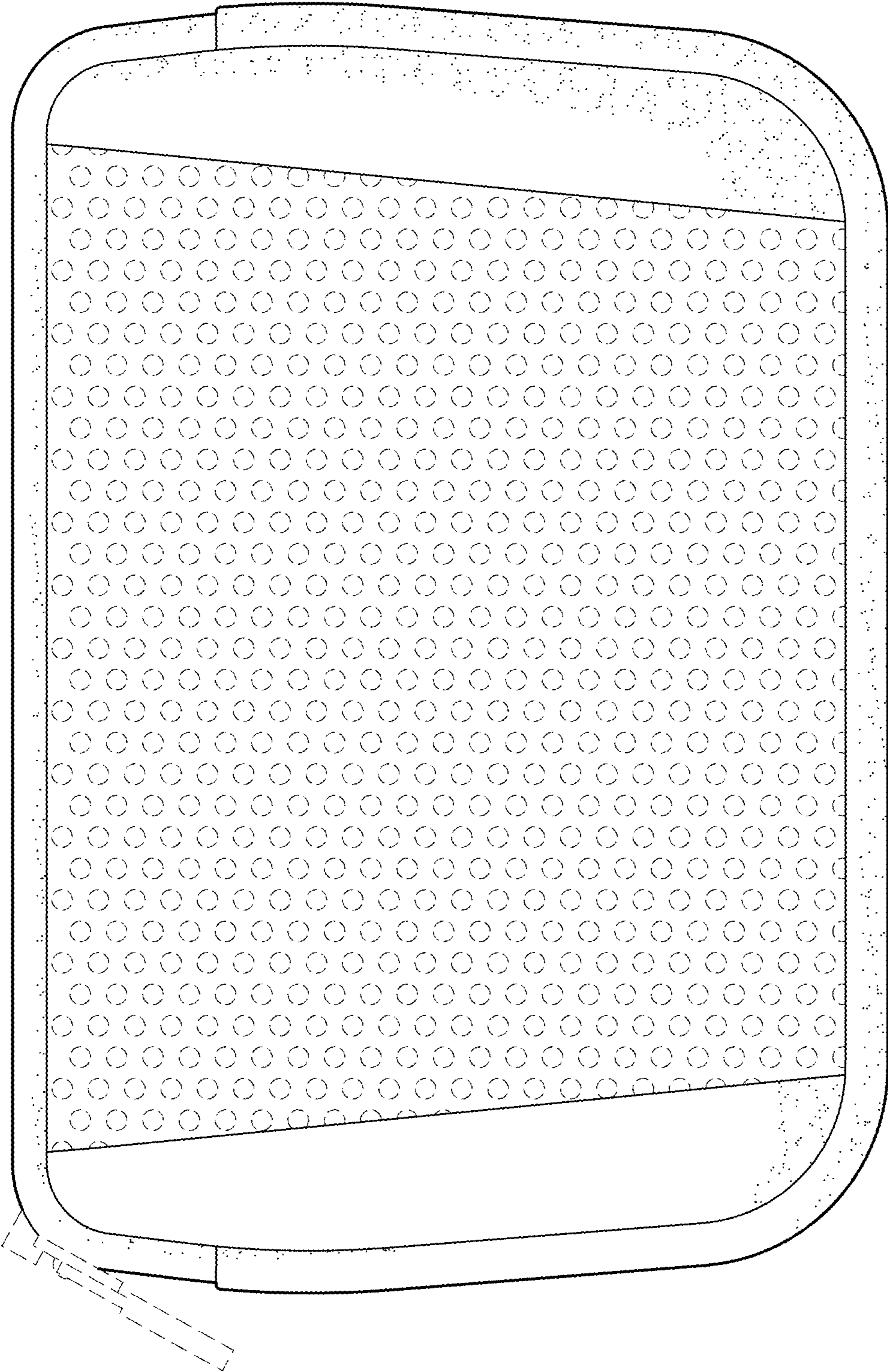


FIG. 4

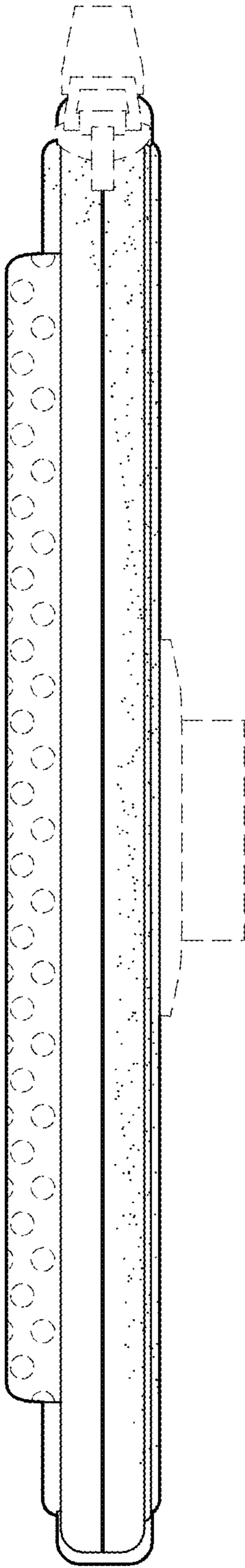


FIG. 5

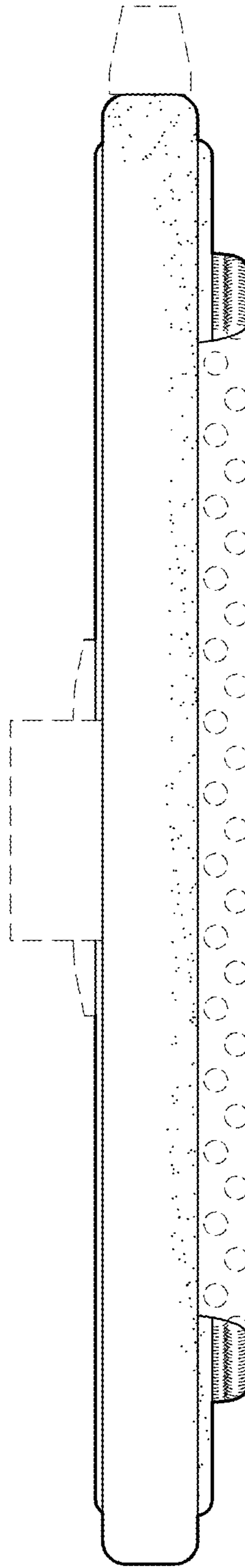


FIG. 6

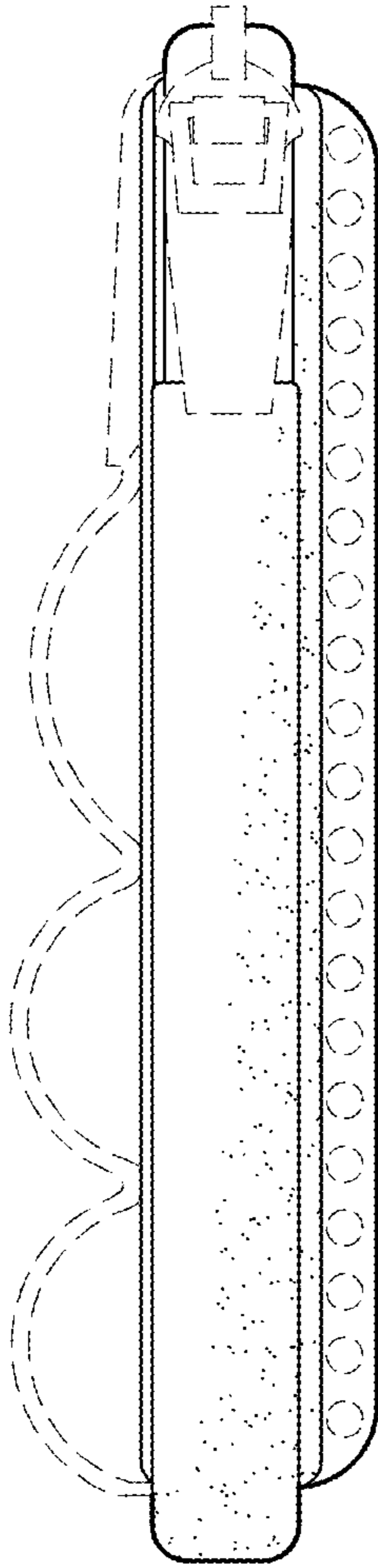


FIG. 7

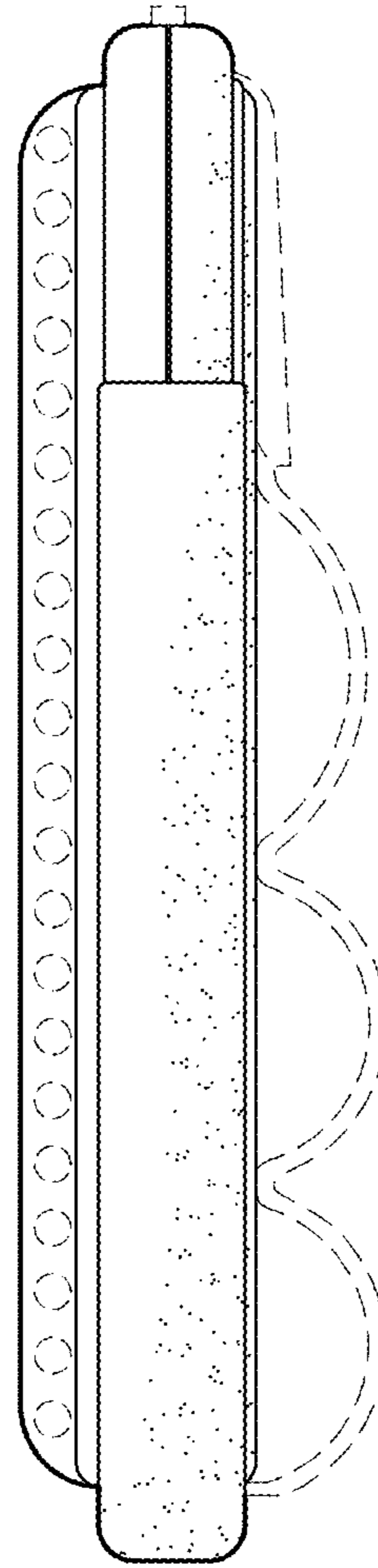


FIG. 8