



US00D796195S

(12) **United States Design Patent** (10) **Patent No.:** **US D796,195 S**
Solland et al. (45) **Date of Patent:** **** Sep. 5, 2017**

- (54) **RECEPTACLE**
- (71) Applicants: **Kurt Solland**, Goodyear, AZ (US);
Debora Monzelowsky, Goodyear, AZ (US)
- (72) Inventors: **Kurt Solland**, Goodyear, AZ (US);
Debora Monzelowsky, Goodyear, AZ (US)
- (**) Term: **15 Years**
- (21) Appl. No.: **29/532,182**
- (22) Filed: **Jul. 2, 2015**
- (51) **LOC (10) Cl.** **03-01**
- (52) **U.S. Cl.**
USPC **D3/266**
- (58) **Field of Classification Search**
USPC D3/204, 219, 252, 263-267, 271.9, 904
CPC A45C 11/04; A45C 11/005; A45C 11/38;
A45C 11/06; A45C 2011/001; G02C
3/04; A47F 7/021
See application file for complete search history.

- D544,712 S * 6/2007 Au D3/265
- D714,549 S * 10/2014 Levy D3/265
- D716,549 S * 11/2014 Porter D3/266
- D767,889 S * 10/2016 Szal D3/265
- 2016/0166027 A1* 6/2016 Godart A45C 11/04
224/576

* cited by examiner

Primary Examiner — Mary Ann Calabrese
Assistant Examiner — Sloan Rozin
(74) *Attorney, Agent, or Firm* — Plumsea Law Group, LLC

(57) **CLAIM**

The ornamental design for a receptacle, as shown and described.

DESCRIPTION

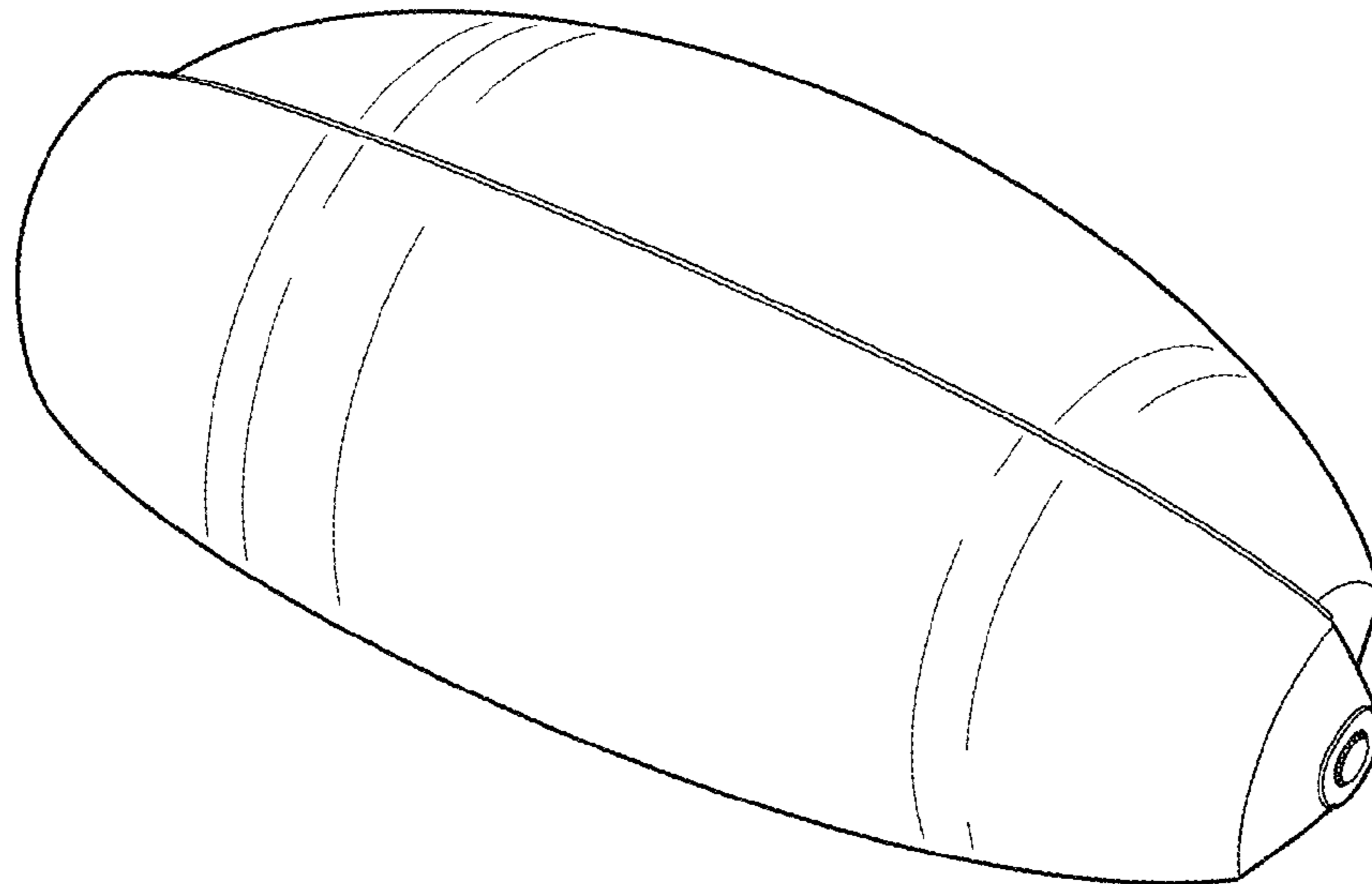
This application is related to co-filed U.S. utility patent application No. 14/790,054, the contents of which is hereby incorporated in its entirety.
FIG. 1 is a perspective view of a receptacle showing our new design, in a closed condition;
FIG. 2 is an end elevational view thereof, the opposite end elevational view being a mirror image thereof;
FIG. 3 is a top view thereof;
FIG. 4 is a front elevational view thereof;
FIG. 5 is an end elevational view showing the design in a partially opened condition, the opposite end elevational view being a mirror image thereof;
FIG. 6 is an end elevational view showing the design in a fully opened condition, the opposite end elevational view being a mirror image thereof;
FIG. 7 is a perspective view corresponding to the partially opened condition of FIG. 5; and,
FIG. 8 is a perspective view corresponding to the fully opened condition of FIG. 6.
The broken line showings form no part of the claimed design.

1 Claim, 4 Drawing Sheets

(56) **References Cited**

U.S. PATENT DOCUMENTS

- D27,622 S * 9/1897 Zoerb D28/82
- D30,045 S * 1/1899 Guyer D3/265
- D110,442 S * 7/1938 Pratt D3/265
- D133,503 S * 8/1942 Stene D3/263
- 5,615,765 A * 4/1997 Roericht A45C 11/04
206/45.23
- D411,347 S * 6/1999 Newcomer D3/219
- D417,541 S * 12/1999 Conway D3/263
- D437,112 S * 2/2001 Toffoli D3/219
- D453,993 S * 3/2002 Diltoer D3/263
- D472,377 S * 4/2003 Tabacchi D3/263
- D479,401 S * 9/2003 Claypool D3/294
- D485,680 S * 1/2004 Hasenfrantz D3/215
- D486,638 S * 2/2004 Menceles D3/201



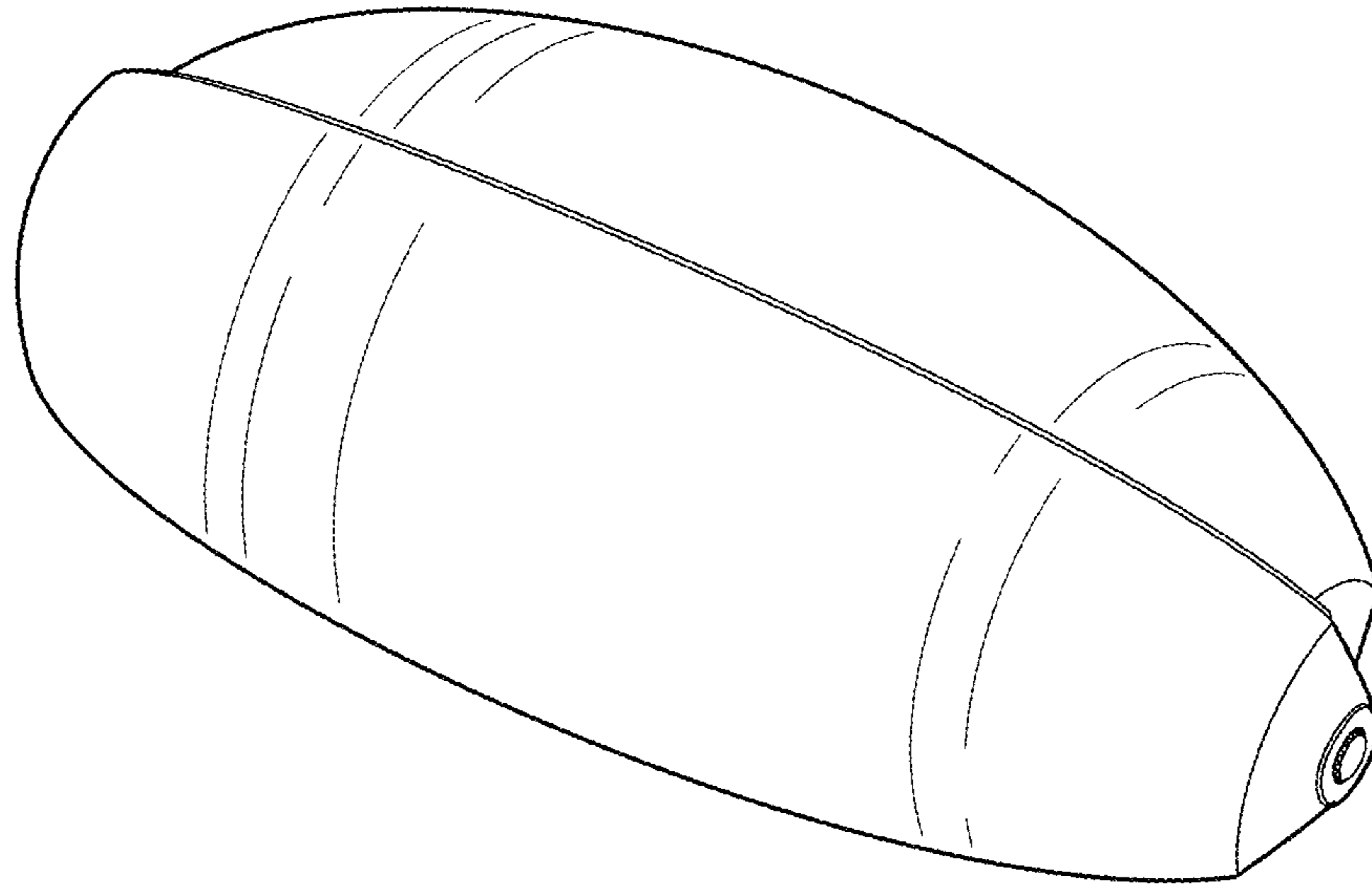


FIG. 1

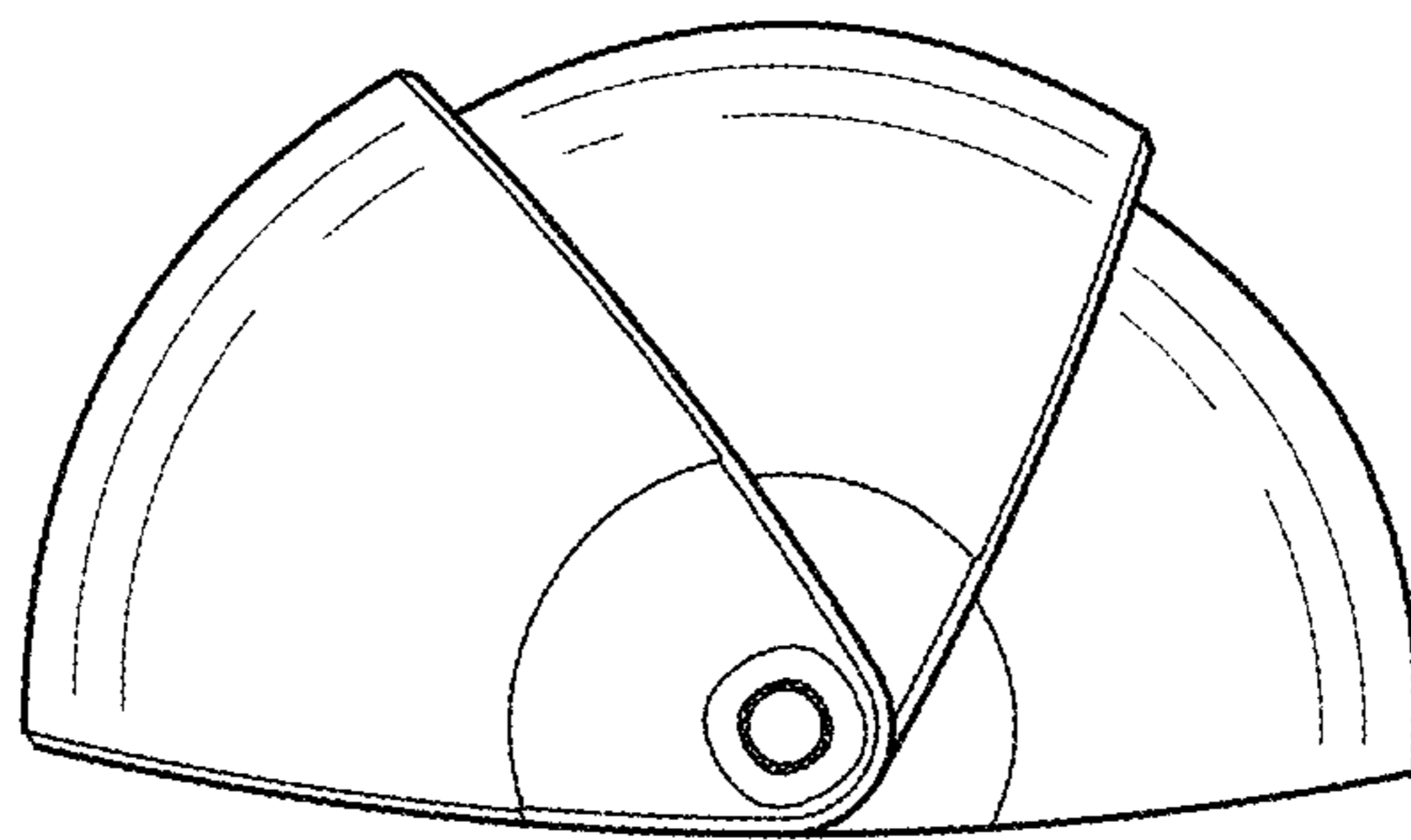


FIG. 2

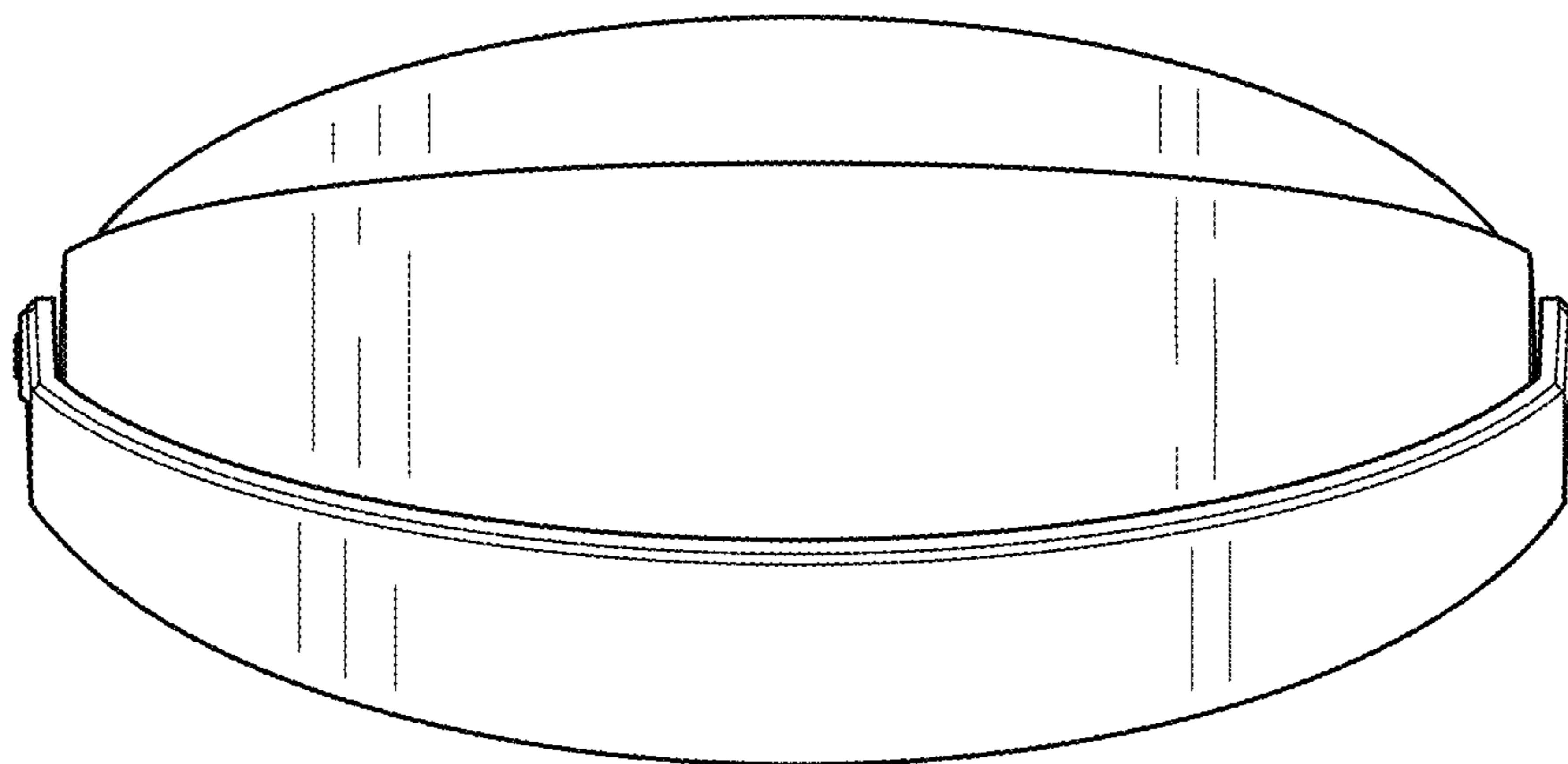


FIG. 3



FIG. 4

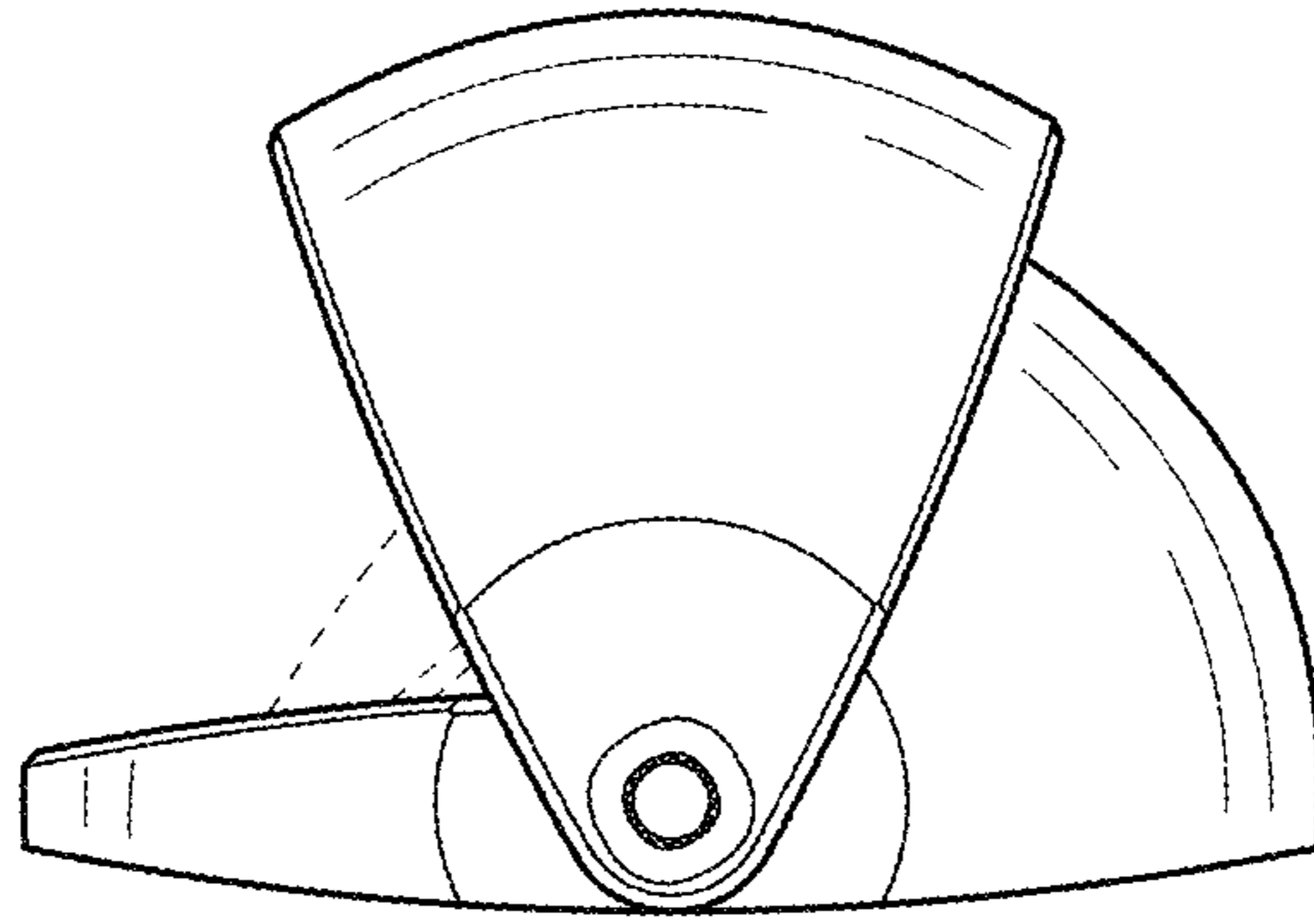


FIG. 5

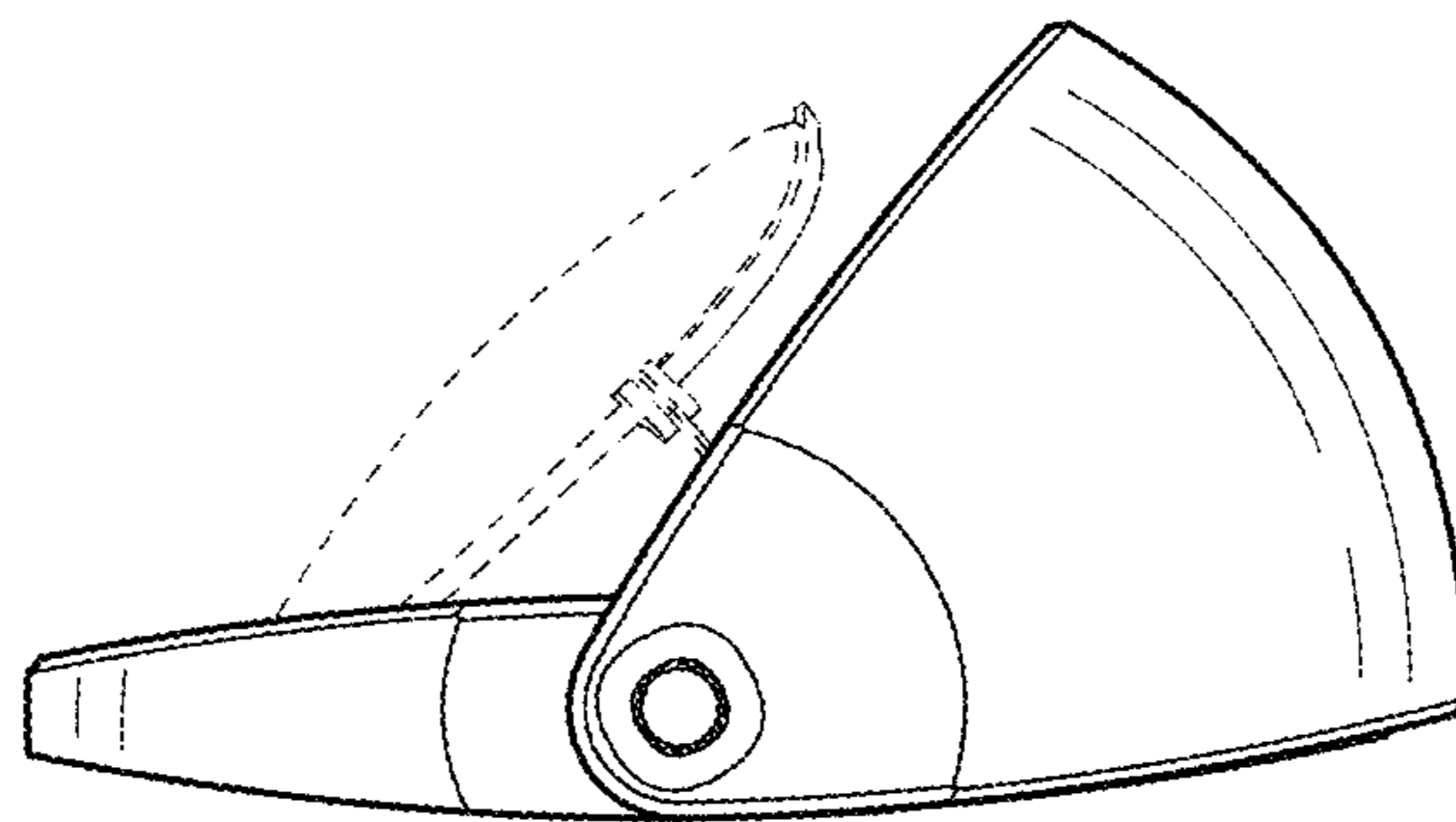


FIG. 6

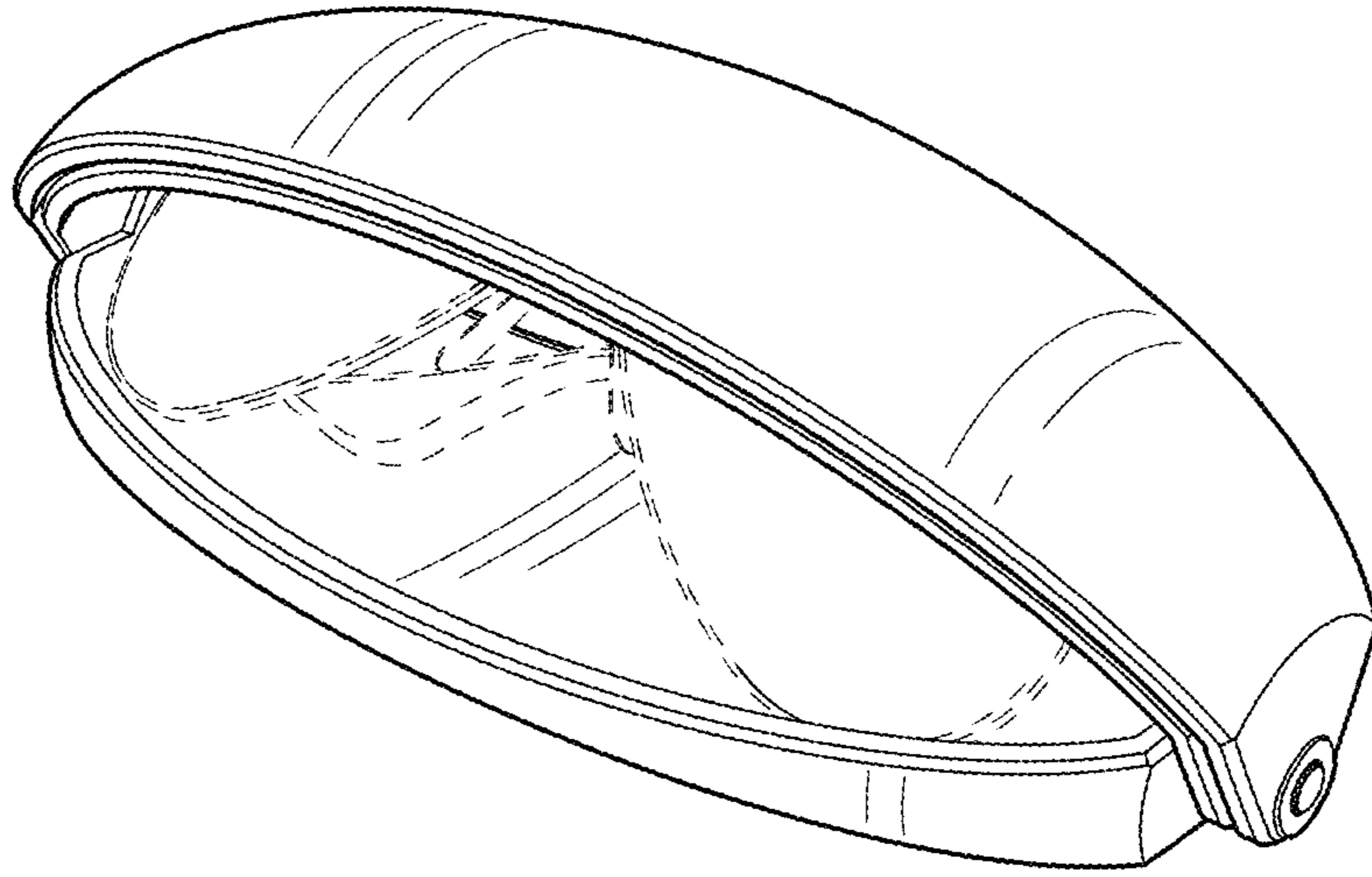


FIG. 7

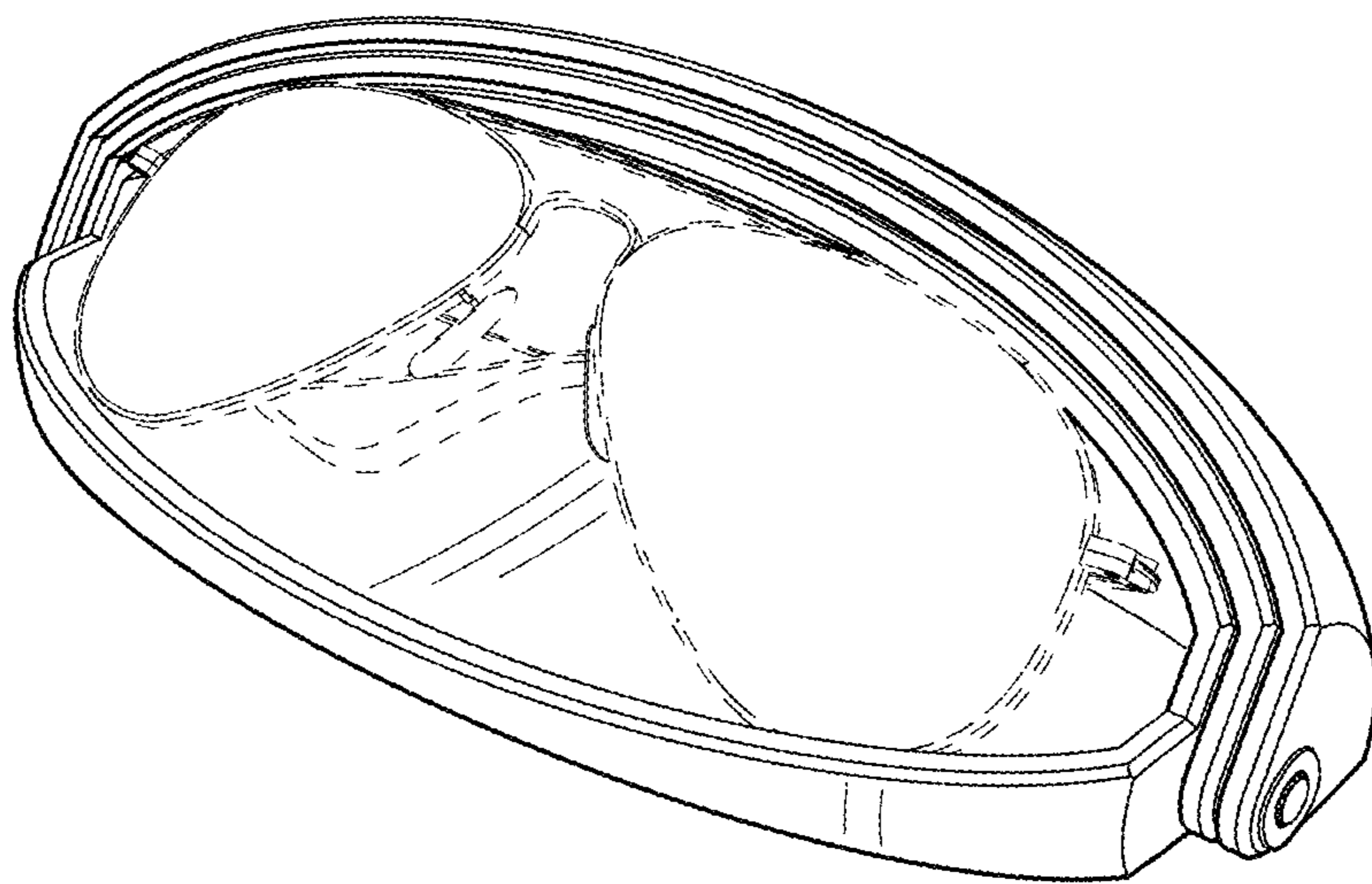


FIG. 8