



US00D796193S

(12) **United States Design Patent** (10) **Patent No.:** **US D796,193 S**  
**Pactanac** (45) **Date of Patent:** **\*\* Sep. 5, 2017**

(54) **BAG**  
(71) Applicant: **NIKE, Inc.**, Beaverton, OR (US)  
(72) Inventor: **Pierre Pactanac**, Beaverton, OR (US)  
(73) Assignee: **NIKE, Inc.**, Beaverton, OR (US)  
(\*\*) Term: **15 Years**

D582,156 S \* 12/2008 Gonzalez ..... D3/245  
D603,164 S \* 11/2009 Meier ..... D3/289  
D642,380 S \* 8/2011 Yun ..... D3/232  
D682,548 S \* 5/2013 Du ..... D3/256  
9,387,956 B1 \* 7/2016 Hirshberg ..... B65D 33/06  
2002/0148741 A1 \* 10/2002 Stobbs ..... A45C 3/00  
206/112  
2006/0151345 A1 \* 7/2006 Coffing ..... A45C 5/00  
206/315.1

(21) Appl. No.: **29/537,075**  
(22) Filed: **Aug. 21, 2015**  
(51) **LOC (10) Cl.** ..... **03-01**  
(52) **U.S. Cl.**  
USPC ..... **D3/254**  
(58) **Field of Classification Search**  
USPC ..... D3/213-217, 221, 222, 229-234, 239,  
D3/242-246, 254, 255, 256, 260, 261,  
D3/262, 278, 283, 289, 295, 318, 324,  
D3/902, 904  
CPC ..... A45C 1/00; A45C 2003/007; A45C  
2007/004; A45C 3/08; A45C 3/10; A45C  
5/00; A45C 5/03; A45C 7/00; A45C 9/00;  
A45C 11/20; A45C 13/008  
See application file for complete search history.

(Continued)

**OTHER PUBLICATIONS**

Nike Hyperadapt Modular Golf Bag, posted at thehackersparadise.com, posting date Jun. 1, 2016, [online], [site visited Oct. 24, 2016]. Available from Internet, <URL: <http://www.thehackersparadise.com/nike-hyperadapt-modular-golf-bag/>>.\*

*Primary Examiner* — Susan E Krakower  
*Assistant Examiner* — Lisa A Grabenstetter  
(74) *Attorney, Agent, or Firm* — Banner & Witcoff, Ltd.

**CLAIM**

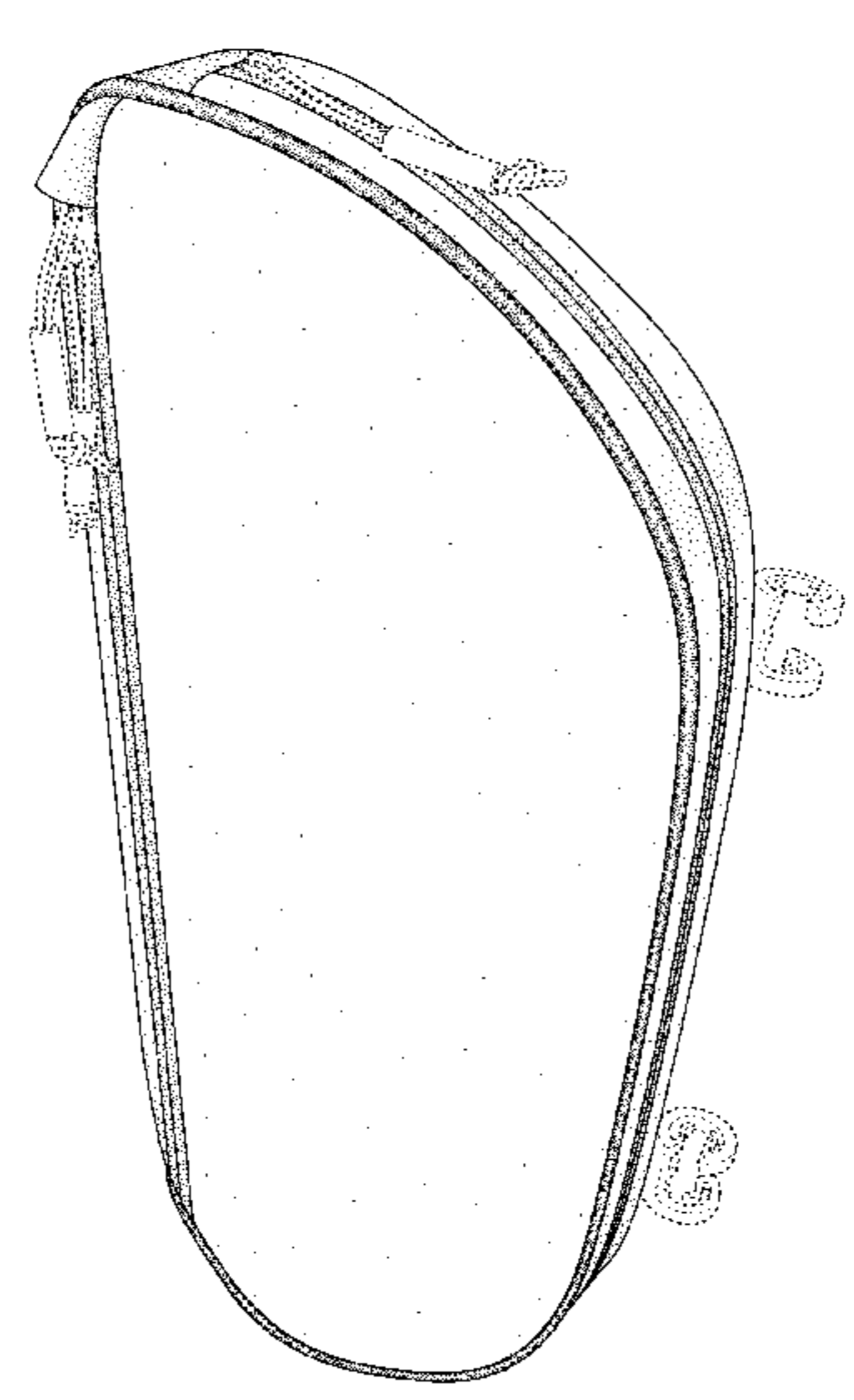
(57) The ornamental design for a bag, as shown and described.

**DESCRIPTION**

FIG. 1 is a front perspective view of a bag showing my new design;  
FIG. 2 is a front view thereof;  
FIG. 3 is a rear view thereof;  
FIG. 4 is a side view thereof;  
FIG. 5 is a second side view thereof;  
FIG. 6 is a top view thereof; and,  
FIG. 7 is a bottom view thereof.  
The broken lines on the surface of the bag represent the bounds of the claimed design. The zipper pulls and other external features shown in broken lines are environmental features that form no part of the claimed design. The broken lines and unshaded regions bounded by broken lines form no part of the claimed design.

(56) **References Cited**  
U.S. PATENT DOCUMENTS  
D352,167 S \* 11/1994 Sheppard, Jr. .... D3/255  
D363,599 S \* 10/1995 Gaffin ..... D3/245  
D425,698 S \* 5/2000 Paul ..... D3/216  
D434,900 S \* 12/2000 Spence, Jr. .... D3/276  
D471,355 S \* 3/2003 Sanderson ..... D3/255  
D474,337 S \* 5/2003 Boardman ..... D3/255  
D489,527 S \* 5/2004 Izen ..... D3/204  
D520,235 S \* 5/2006 Blaschke ..... D3/262  
D527,177 S \* 8/2006 Pillet ..... D3/246  
D528,296 S \* 9/2006 Quinnan ..... D3/254  
D532,971 S \* 12/2006 Sides ..... D3/262  
D554,858 S \* 11/2007 Malloy ..... D3/254  
D571,104 S \* 6/2008 Lyons ..... D3/318

**1 Claim, 5 Drawing Sheets**



(56)

**References Cited**

U.S. PATENT DOCUMENTS

2006/0289584 A1\* 12/2006 Lu ..... A45C 7/009  
224/605  
2007/0164070 A1\* 7/2007 Bevier ..... A63B 71/0045  
224/643  
2009/0255770 A1\* 10/2009 Slater ..... A45C 9/00  
190/1  
2011/0083933 A1\* 4/2011 Engel ..... A45C 7/0077  
190/18 A

\* cited by examiner

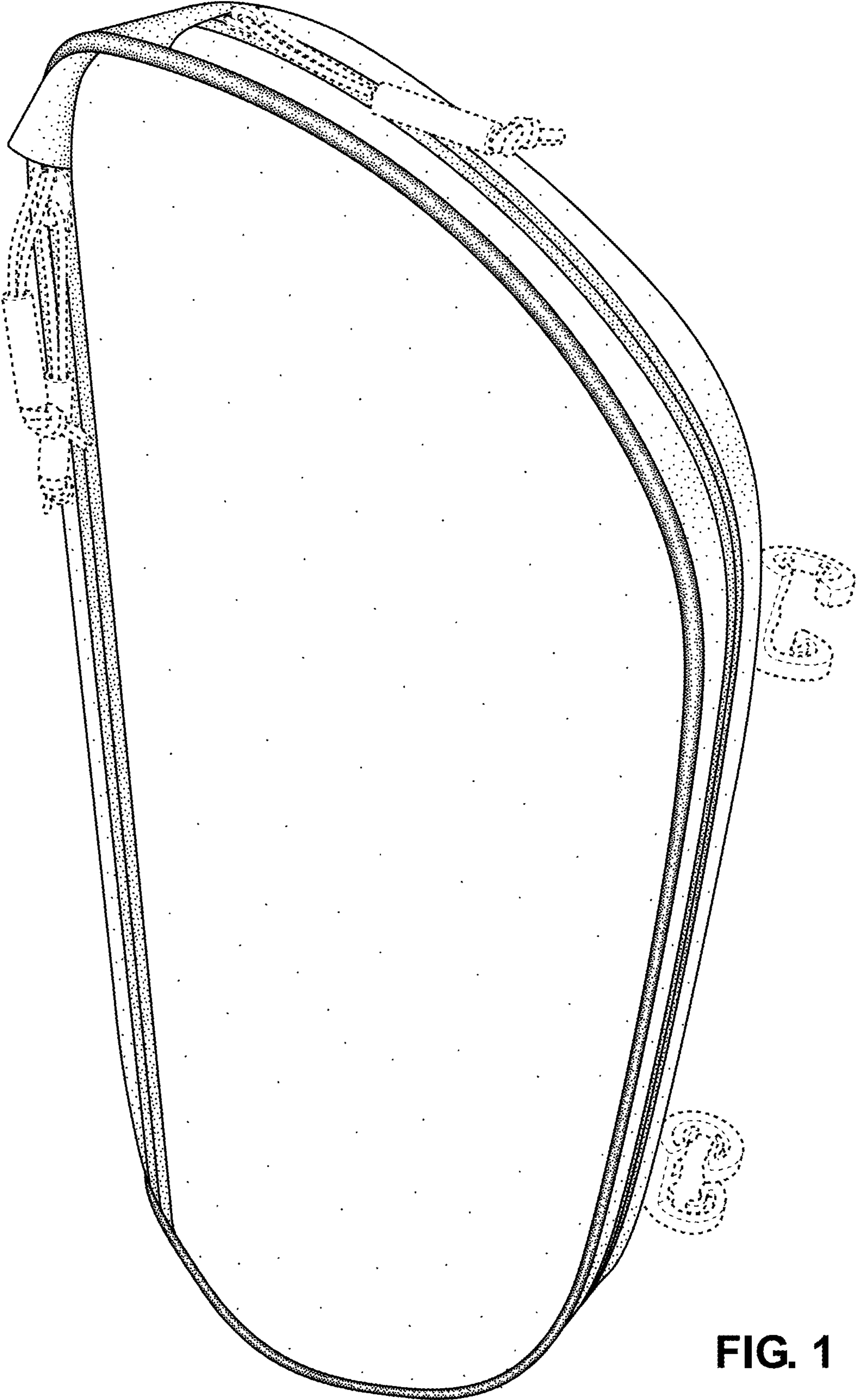


FIG. 1

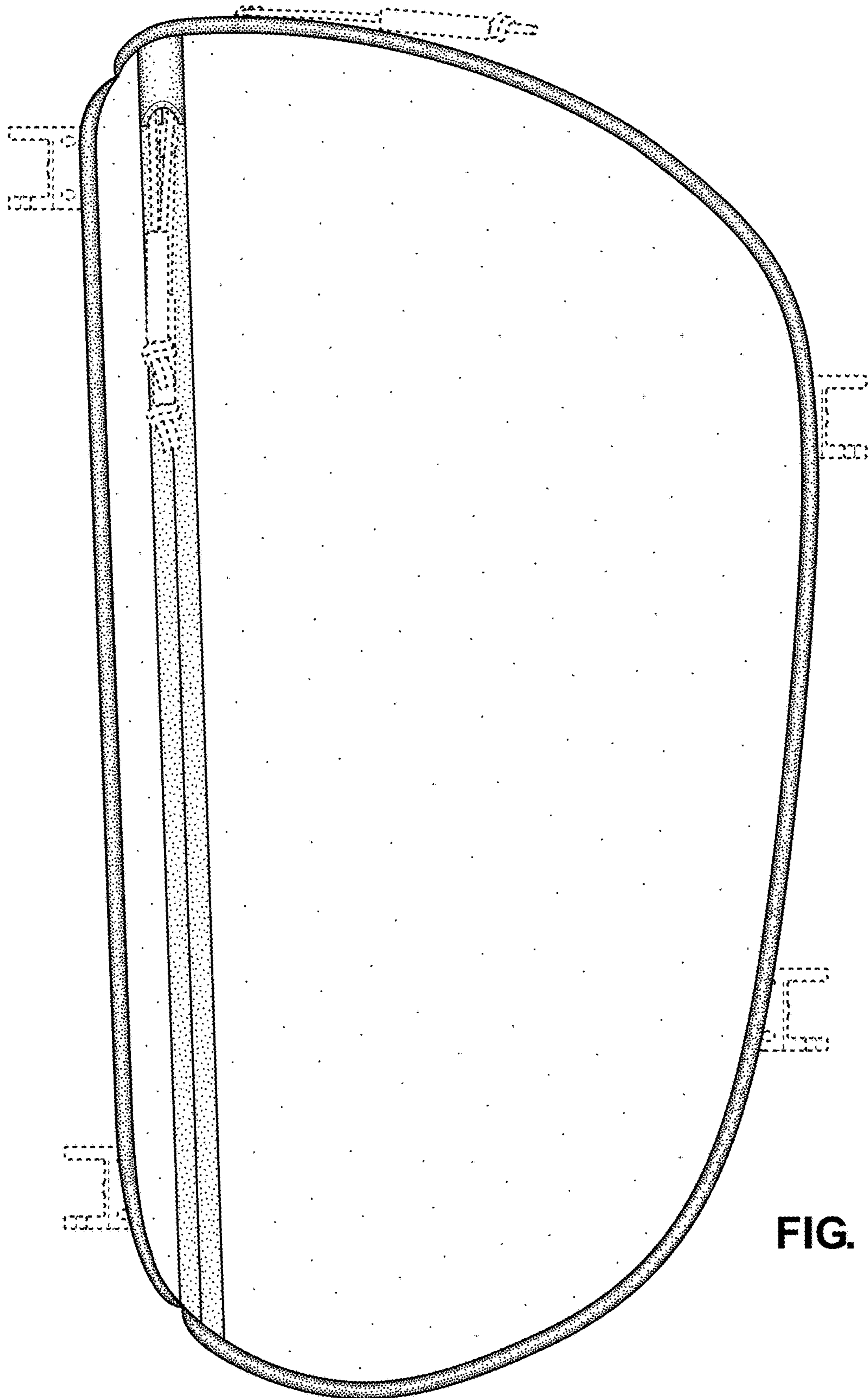


FIG. 2

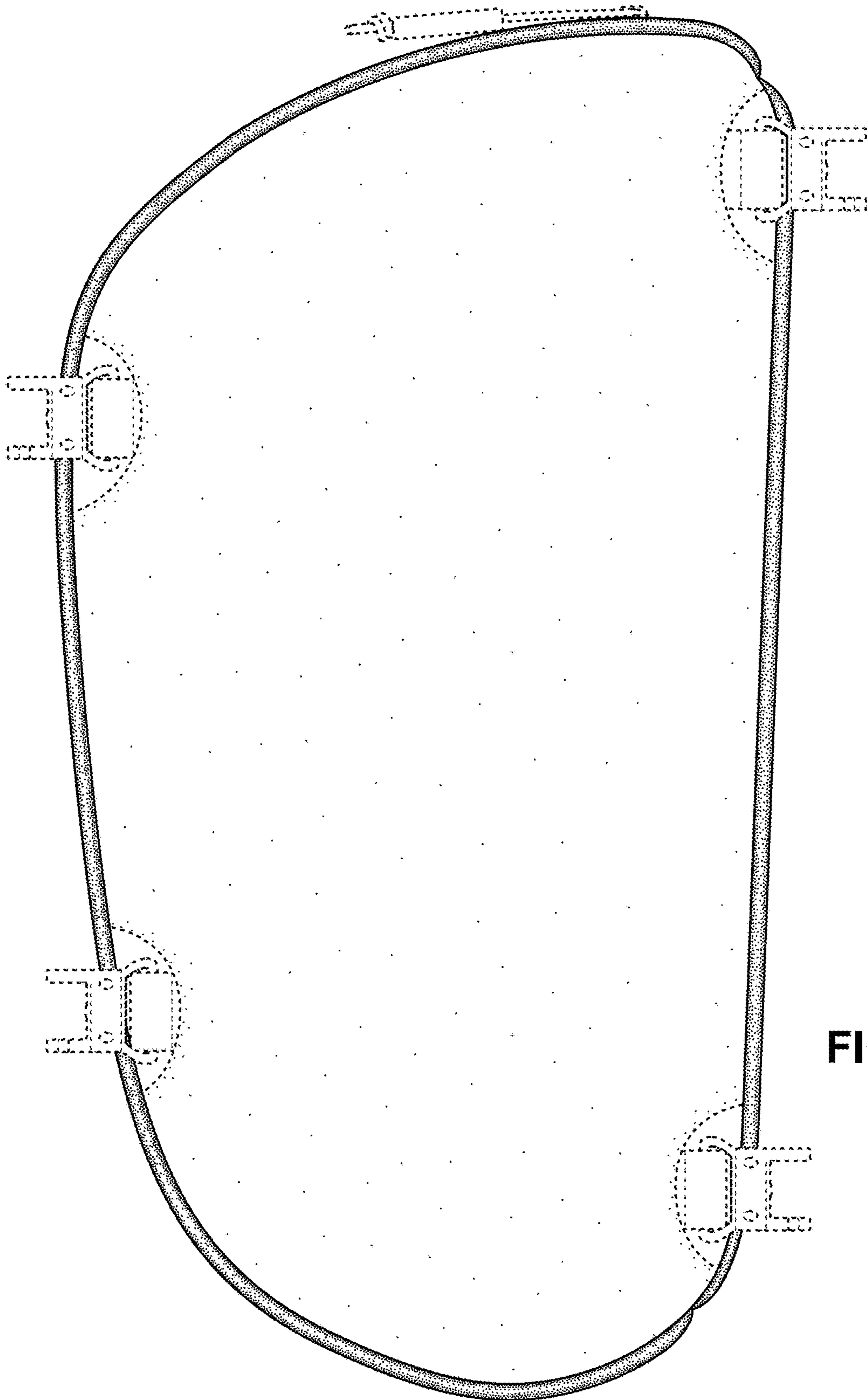


FIG. 3

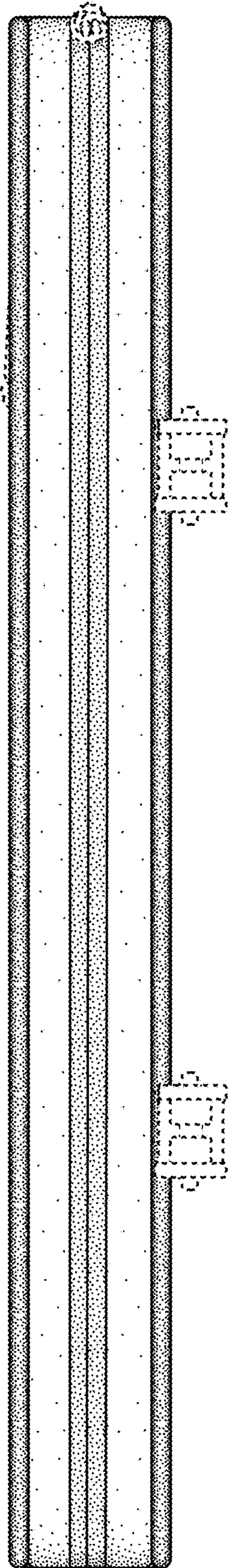


FIG. 4

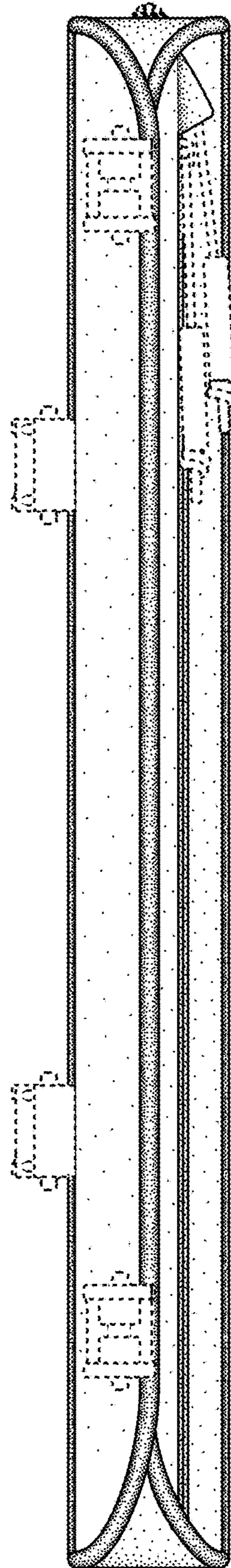


FIG. 5

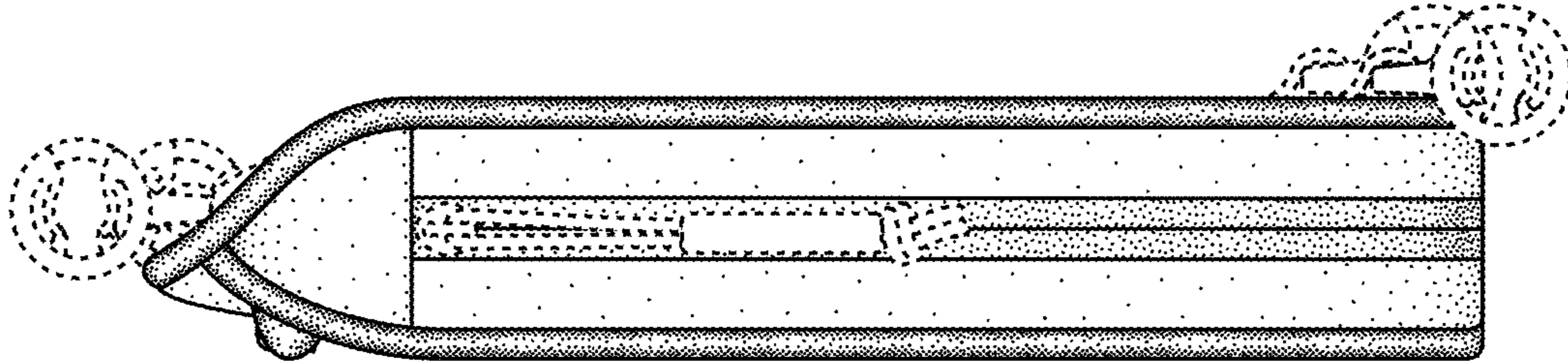


FIG. 6

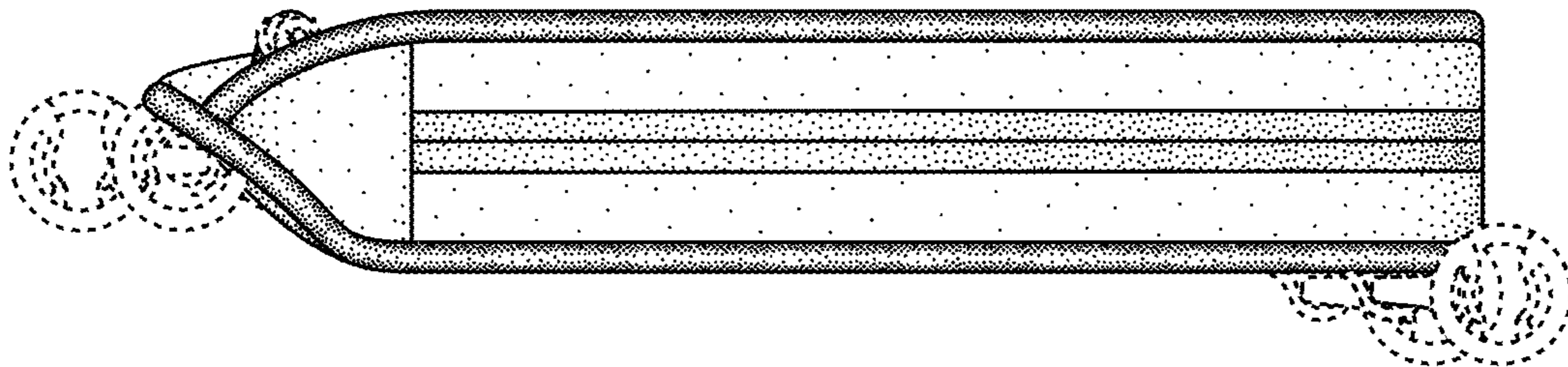


FIG. 7