



US00D796189S

(12) **United States Design Patent** (10) **Patent No.:** **US D796,189 S**
Zhang (45) **Date of Patent:** **** *Sep. 5, 2017**

(54) **SMART PHONE CASE**
(71) Applicant: **Yu Long Zhang**, Brooklyn, NY (US)
(72) Inventor: **Yu Long Zhang**, Brooklyn, NY (US)

D611,703 S * 3/2010 Fahrendorff et al. D3/218
D661,892 S * 6/2012 Ramos D3/218
D666,410 S * 9/2012 Phillips et al. D3/218
D695,007 S * 12/2013 Zhang D3/218
D710,602 S * 8/2014 Alamdar D3/231
D715,536 S * 10/2014 Basmaji D3/218

(*) Notice: This patent is subject to a terminal disclaimer.

* cited by examiner

(**) Term: **14 Years**

Primary Examiner — Catheri Oliver-Garcia
(74) *Attorney, Agent, or Firm* — Gary E. Lambert; David J. Connaughton; Lambert & Associates

(21) Appl. No.: **29/492,956**

(22) Filed: **Jun. 4, 2014**

(51) **LOC (10) Cl.** **03-01**

(57) **CLAIM**

(52) **U.S. Cl.**
USPC **D3/218**

The ornamental design for a smart phone case, as shown and described.

(58) **Field of Classification Search**
USPC D3/218–219, 215, 201, 224, 226, 228, D3/269, 303; 224/240–241, 245, 578, 224/674, 676–681, 901, 904; 206/305, 206/320, 576, 759, 762; 455/575.1–575.8; D14/248, 250–251
CPC A45F 5/00; A45F 5/02; A45F 5/021; A45F 5/022; A45F 2005/00; A45F 2005/008; A45F 2005/02; A45F 2200/05; A45F 2200/0516

DESCRIPTION

See application file for complete search history.

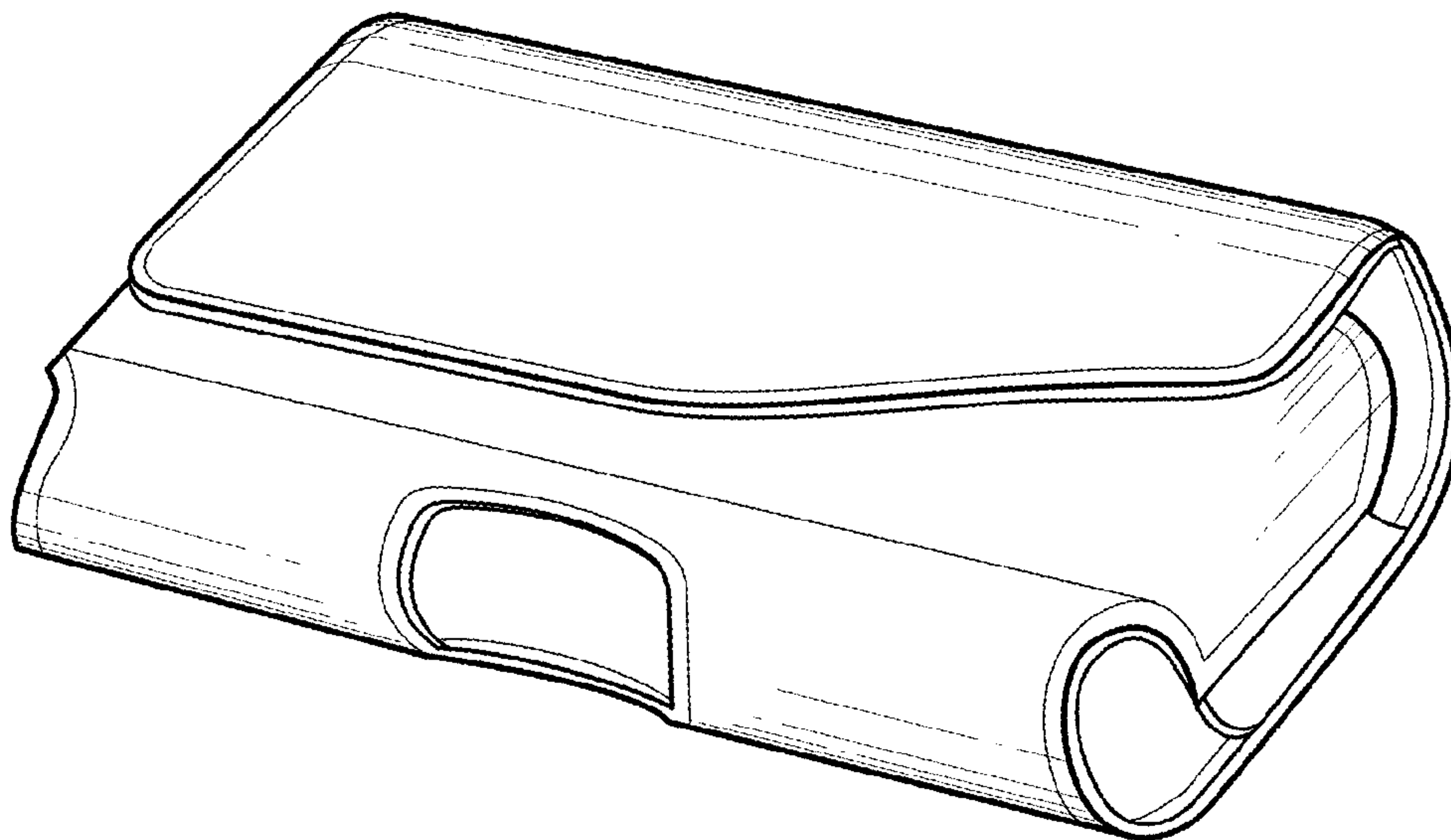
FIG. 1 is an isometric view of the front of the smart phone case, which embodies my design;
FIG. 2 is an isometric view of the back of the smart phone case;
FIG. 3 is a front of the smart phone case;
FIG. 4 is a rear view of the smart phone case;
FIG. 5 is a top plan view of the smart phone case;
FIG. 6 is bottom plan view of the smart phone case;
FIG. 7 is a right side view of the smart phone case; and,
FIG. 8 is a left side view of the smart phone case.

(56) **References Cited**

U.S. PATENT DOCUMENTS

D182,059 S * 2/1958 Chase D3/233
D352,172 S * 11/1994 Aversa et al. D3/303

1 Claim, 3 Drawing Sheets



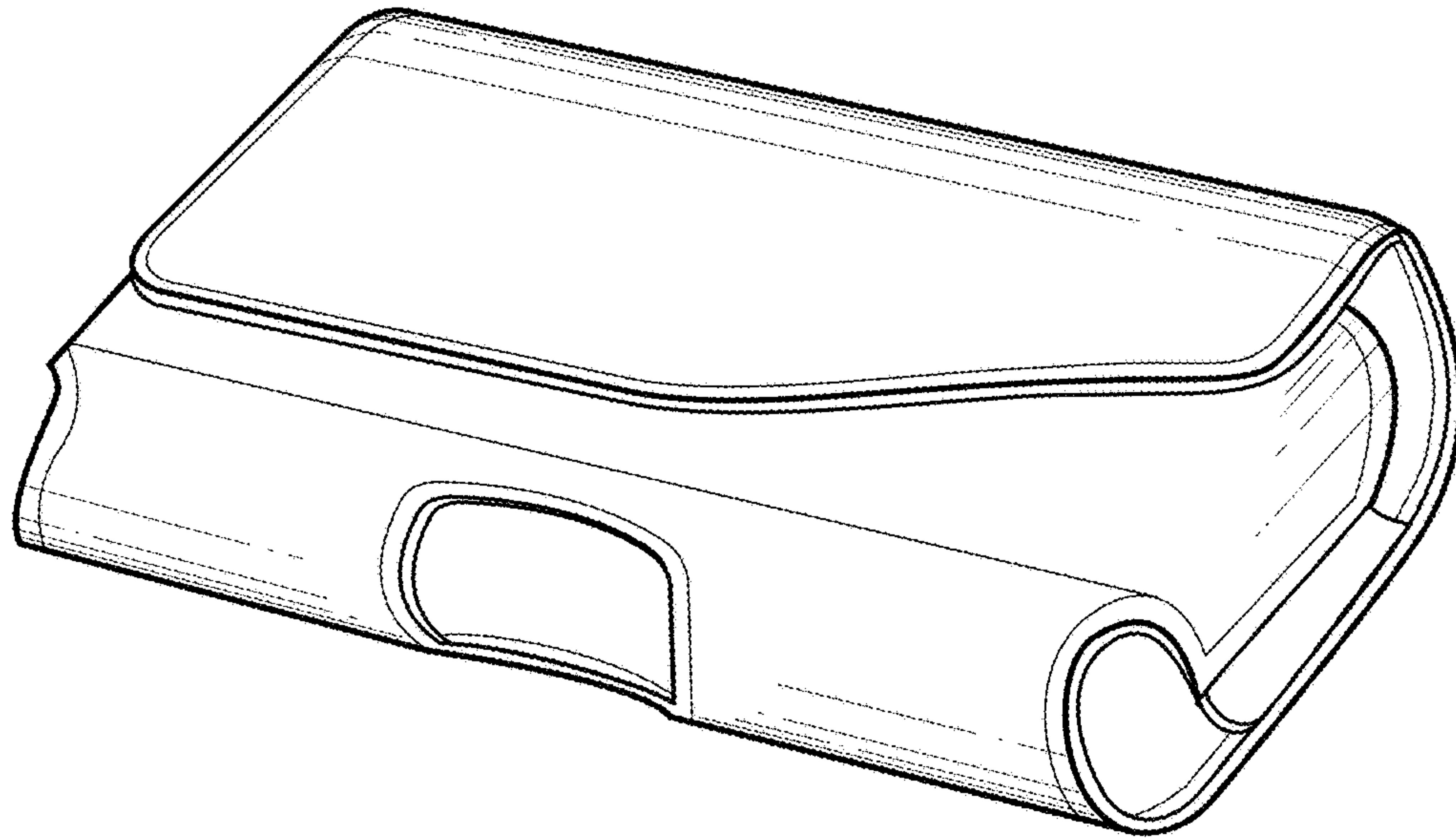


Fig. 1

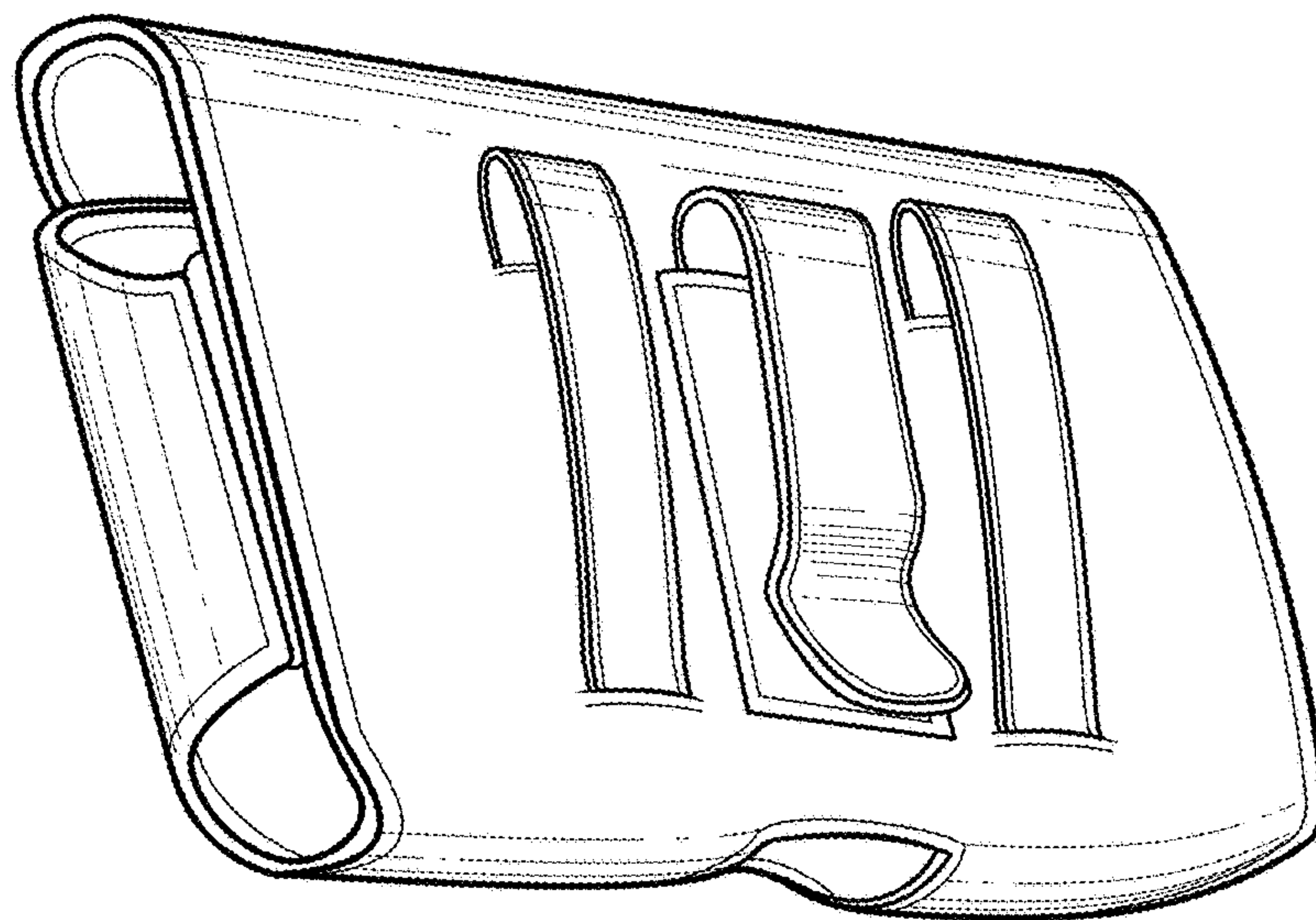


Fig. 2

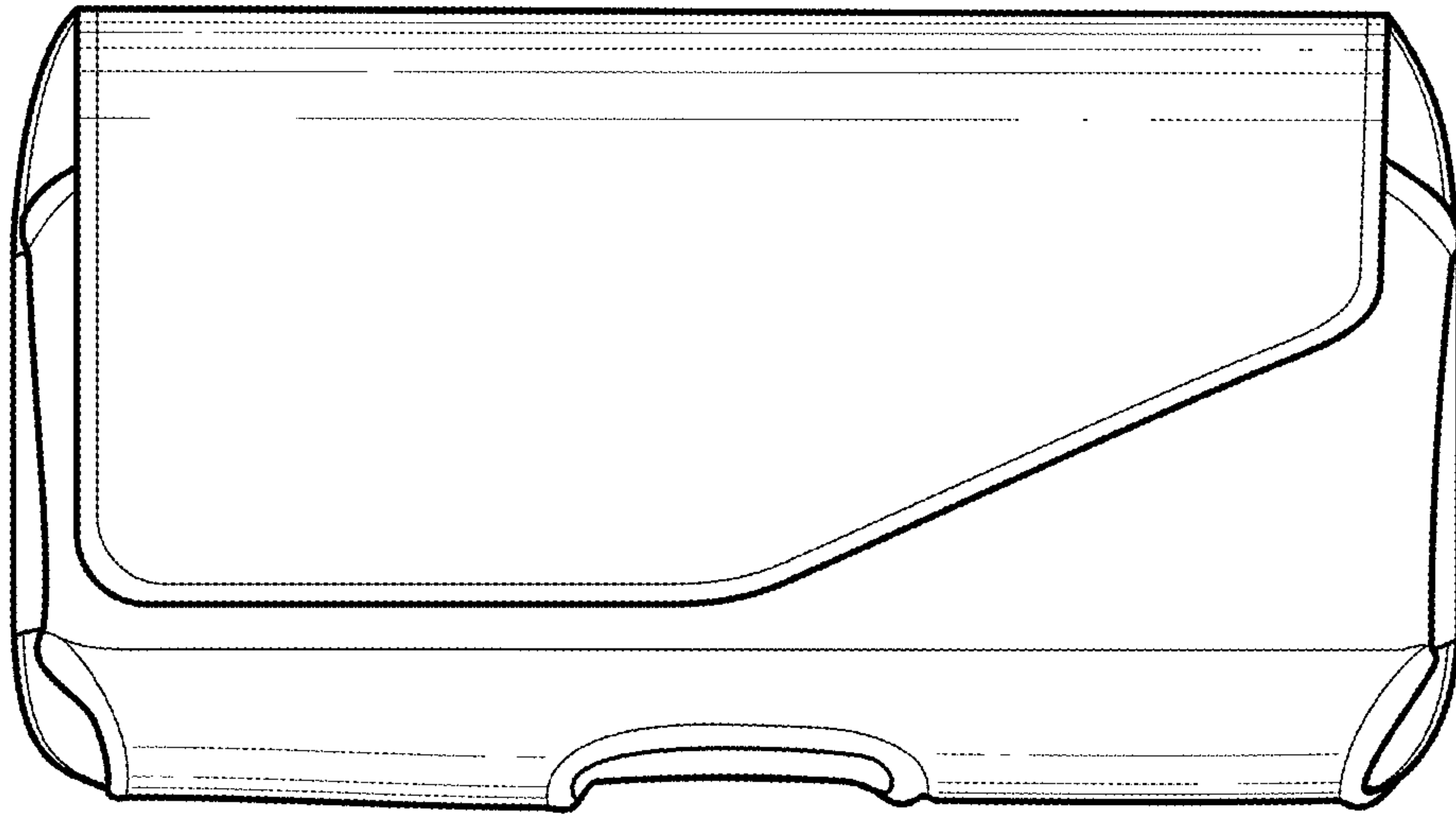


Fig. 3

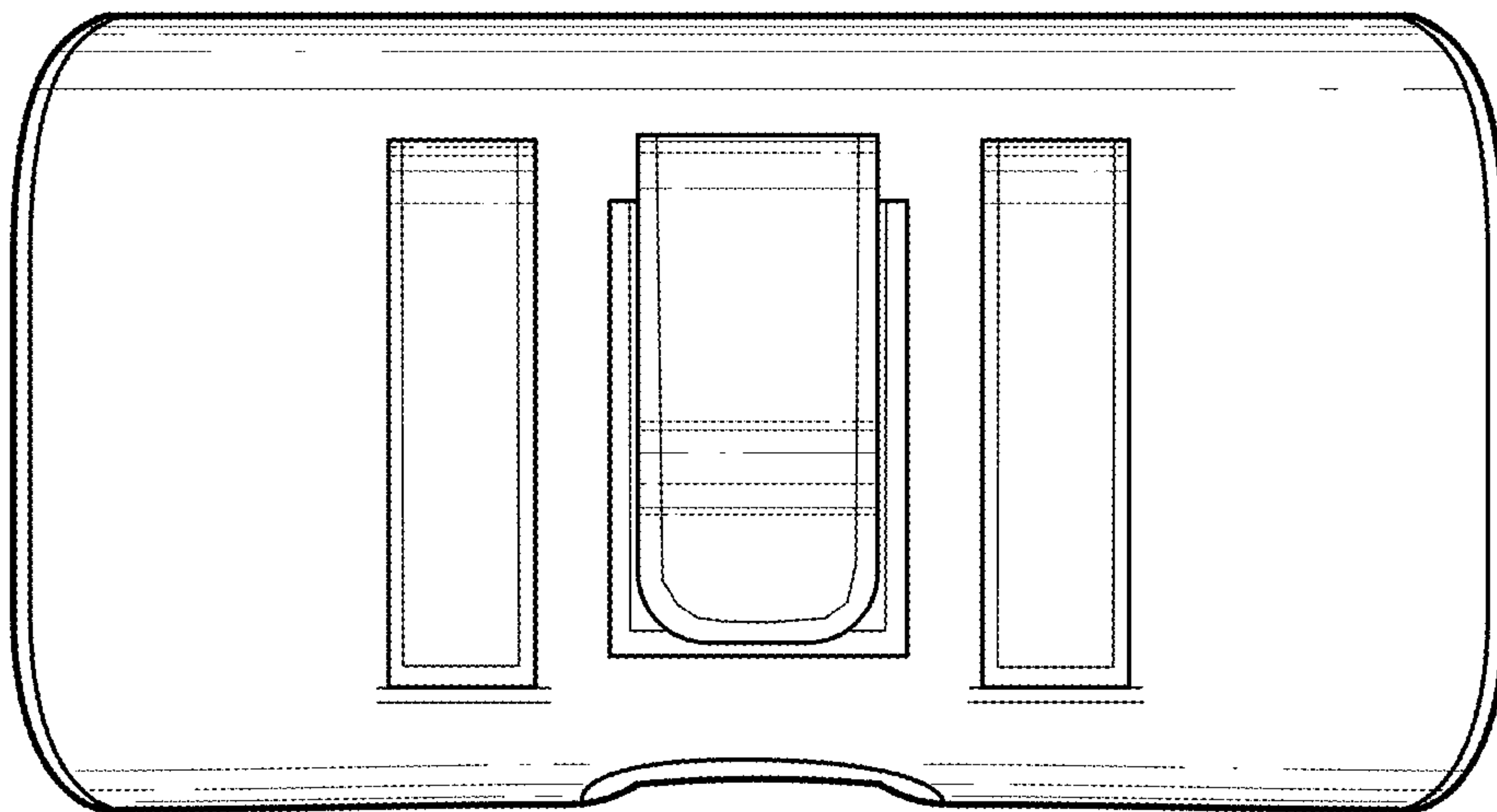


Fig. 4

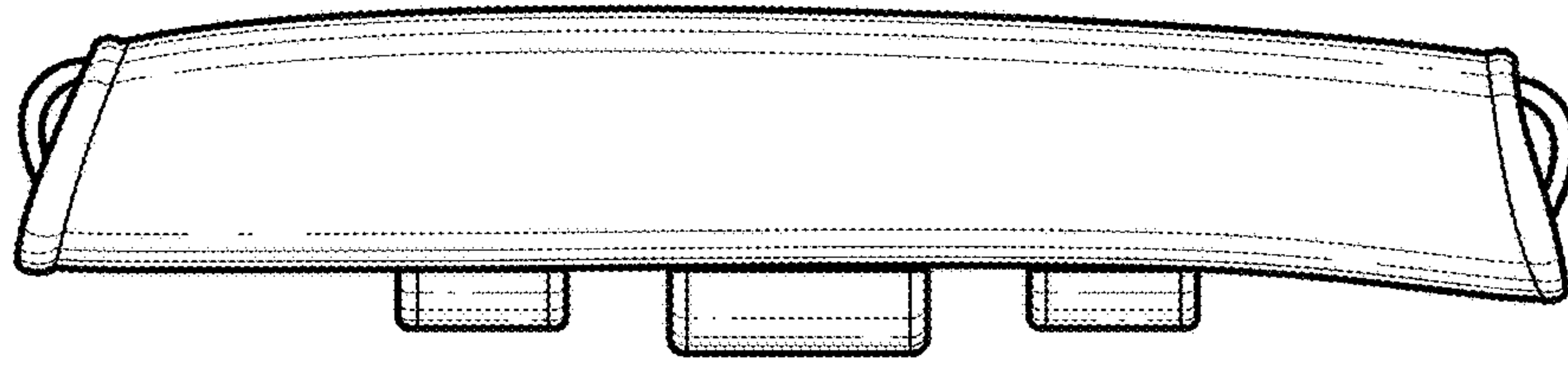


Fig. 5

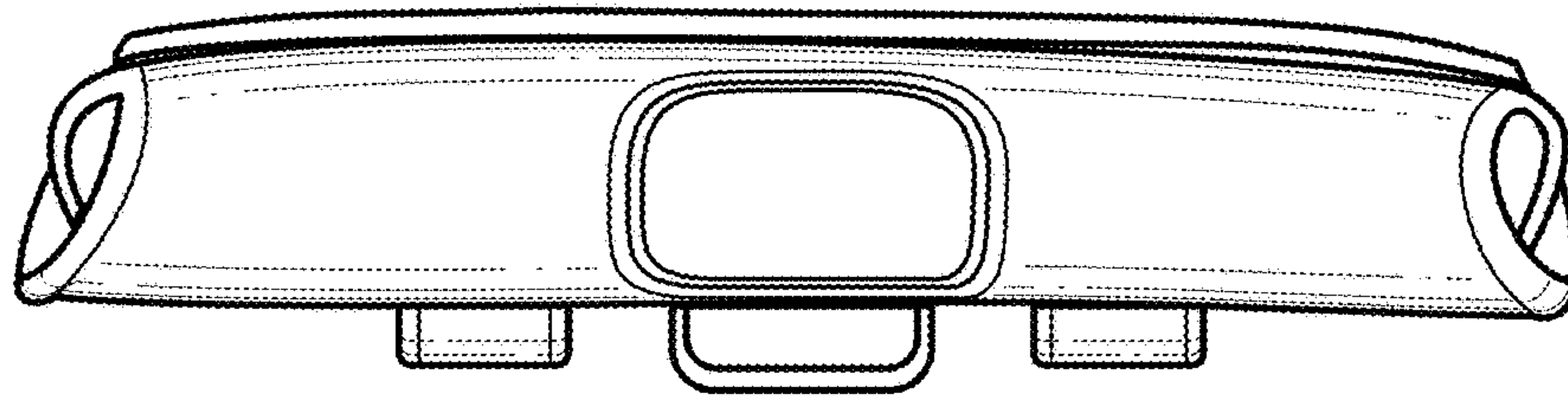


Fig. 6

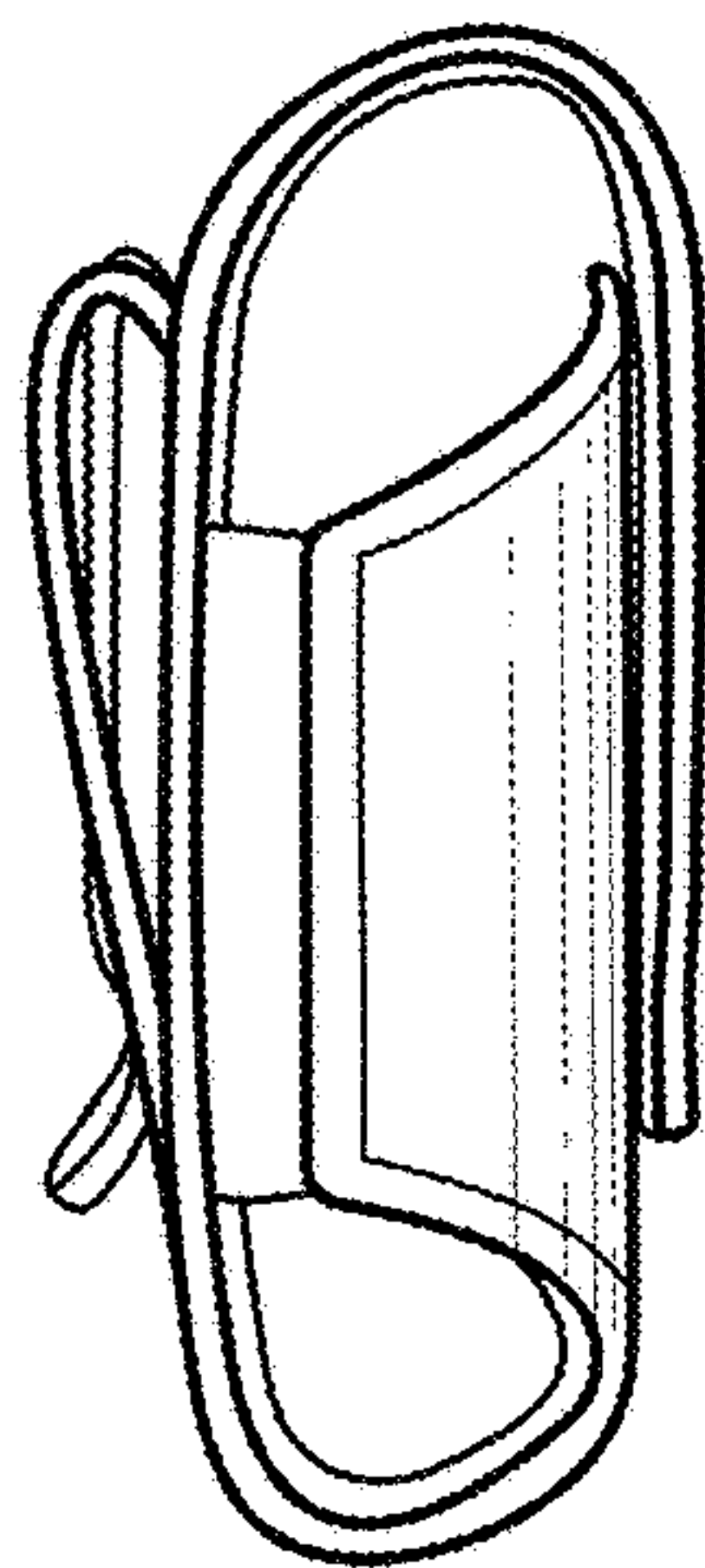


Fig. 7

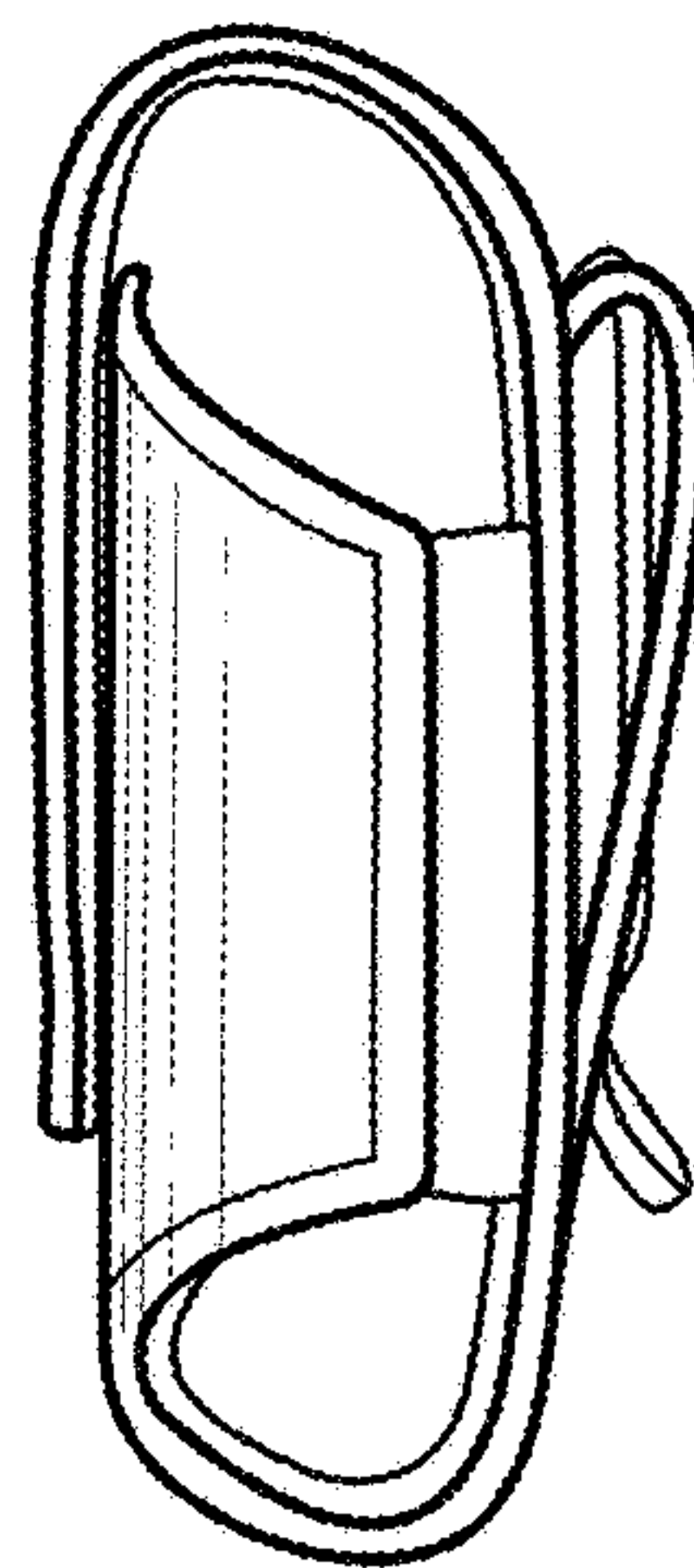


Fig. 8