

US00D796186S

(12) **United States Design Patent**
Coleman

(10) **Patent No.:** **US D796,186 S**
(45) **Date of Patent:** **** Sep. 5, 2017**

(54) **ATTACHABLE WORK SURFACE**
(71) Applicant: **Patrice Coleman**, East Point, GA (US)
(72) Inventor: **Patrice Coleman**, East Point, GA (US)
(73) Assignee: **Patrice Coleman**, East Point, GA (US)
(**) Term: **14 Years**

6,530,509 B1 * 3/2003 Davis A45C 11/34
224/219
D496,155 S * 9/2004 Londono D3/215
D572,465 S * 7/2008 Beck D3/215
D744,662 S * 12/2015 Stevens D3/215
2003/0213822 A1 * 11/2003 Lautner A44C 5/0007
224/221
2005/0040194 A1 * 2/2005 Frye A45D 29/20
224/219

(21) Appl. No.: **29/516,173**
(22) Filed: **Jan. 29, 2015**

* cited by examiner

Primary Examiner — Catheri Oliver-Garcia
(74) *Attorney, Agent, or Firm* — Fitch, Even, Tabin & Flannery, LLP

Related U.S. Application Data

(63) Continuation of application No. 14/368,754, filed as application No. PCT/US2012/072144 on Dec. 28, 2012.

(51) **LOC (10) Cl.** **03-01**

(52) **U.S. Cl.**
USPC **D3/215**

(58) **Field of Classification Search**
USPC D3/215, 228; 224/219, 221–222, 267,
224/165, 176, 674, 199; 248/267, 444;
24/3.2, 482
CPC A45F 5/00; A45F 5/02; A45F 5/04; A45C
11/34; A44C 5/0007; A45D 29/20; B42D
5/006
See application file for complete search history.

(56) **References Cited**

U.S. PATENT DOCUMENTS

1,407,239 A * 2/1922 Weiss B42D 5/006
224/219
4,136,805 A * 1/1979 Storms A45F 5/00
224/219
4,903,932 A * 2/1990 Stewart, Jr. A45F 5/00
224/267
5,615,817 A * 4/1997 Shevers, Jr. A45F 5/00
224/222

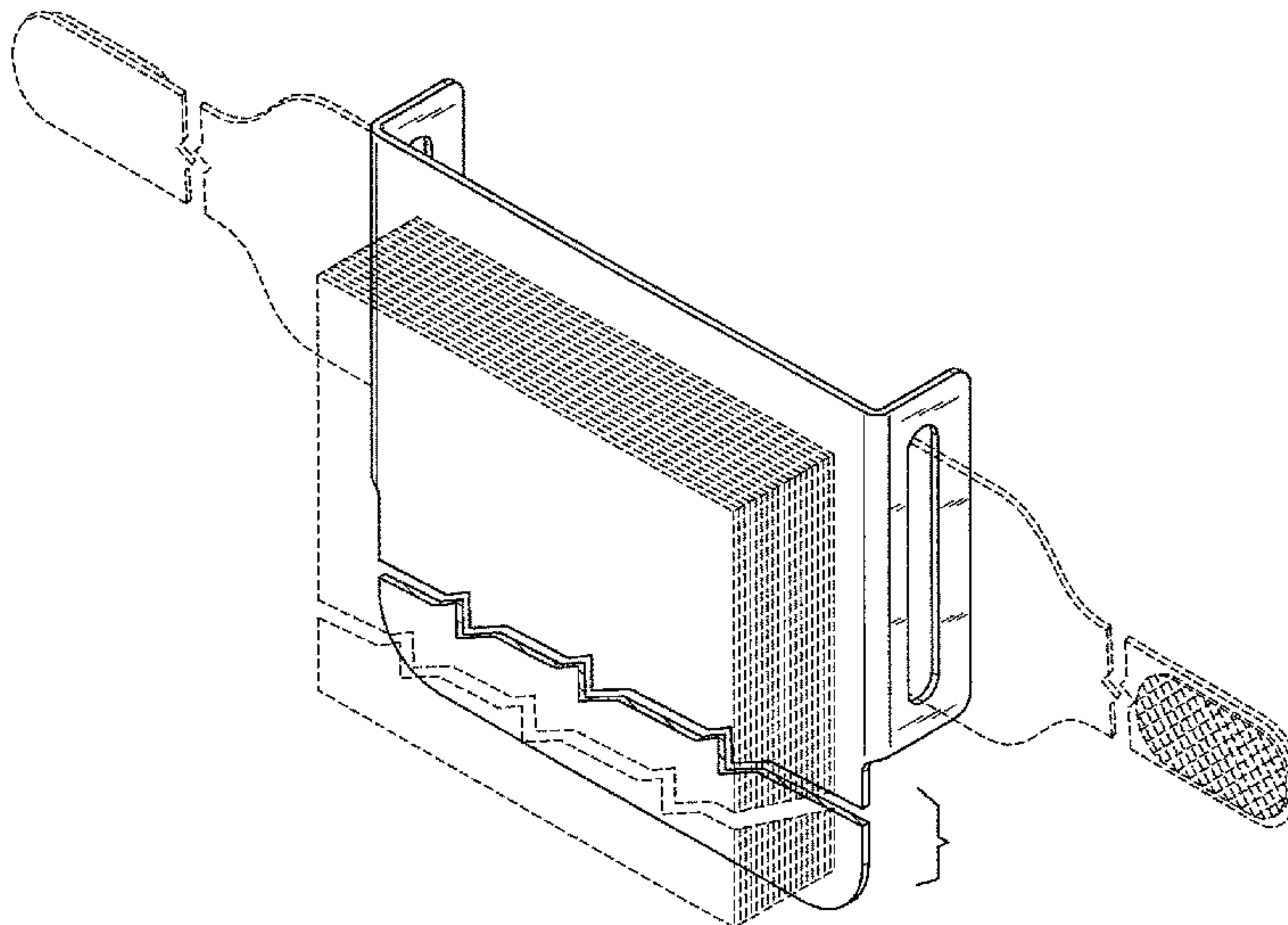
(57) **CLAIM**

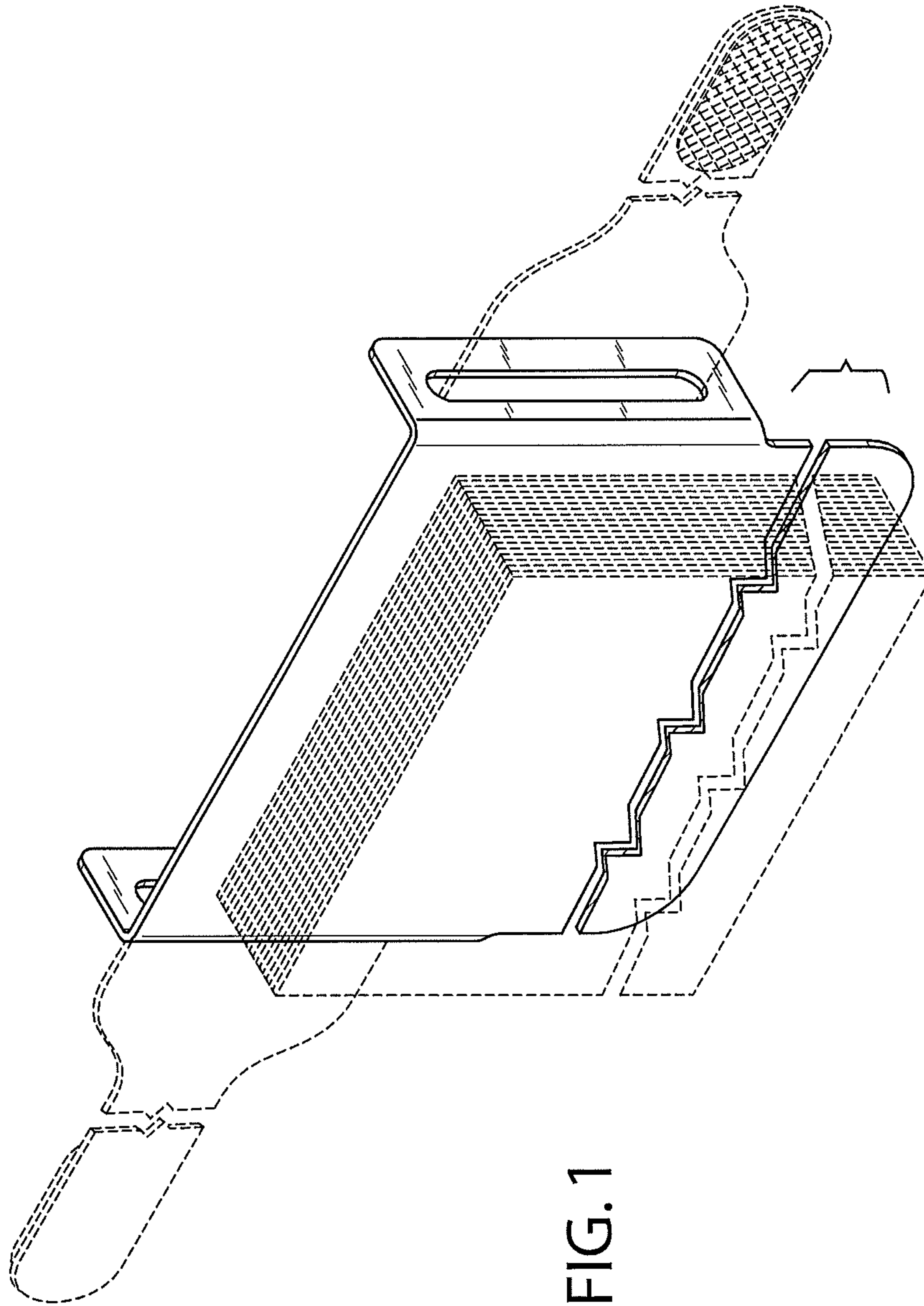
The ornamental design for an attachable work surface, as shown and described.

DESCRIPTION

FIG. 1 is a front top right perspective view of an attachable work surface showing my new design;
FIG. 2 is a rear elevational view of the attachable work surface of FIG. 1;
FIG. 3 is a front elevational view of the attachable work surface of FIG. 1;
FIG. 4 is a top plan view of the attachable work surface of FIG. 1;
FIG. 5 is a bottom plan view of the attachable work surface of FIG. 1; and,
FIG. 6 is a right side elevational view of the attachable work surface of FIG. 1, the left side elevational view being a mirror image thereof.
The broken lines depict unclaimed environmental subject matter and form no part of the claimed design.
FIGS. 1-3 and 6 are shown broken away to indicate that no particular length is claimed.

1 Claim, 5 Drawing Sheets





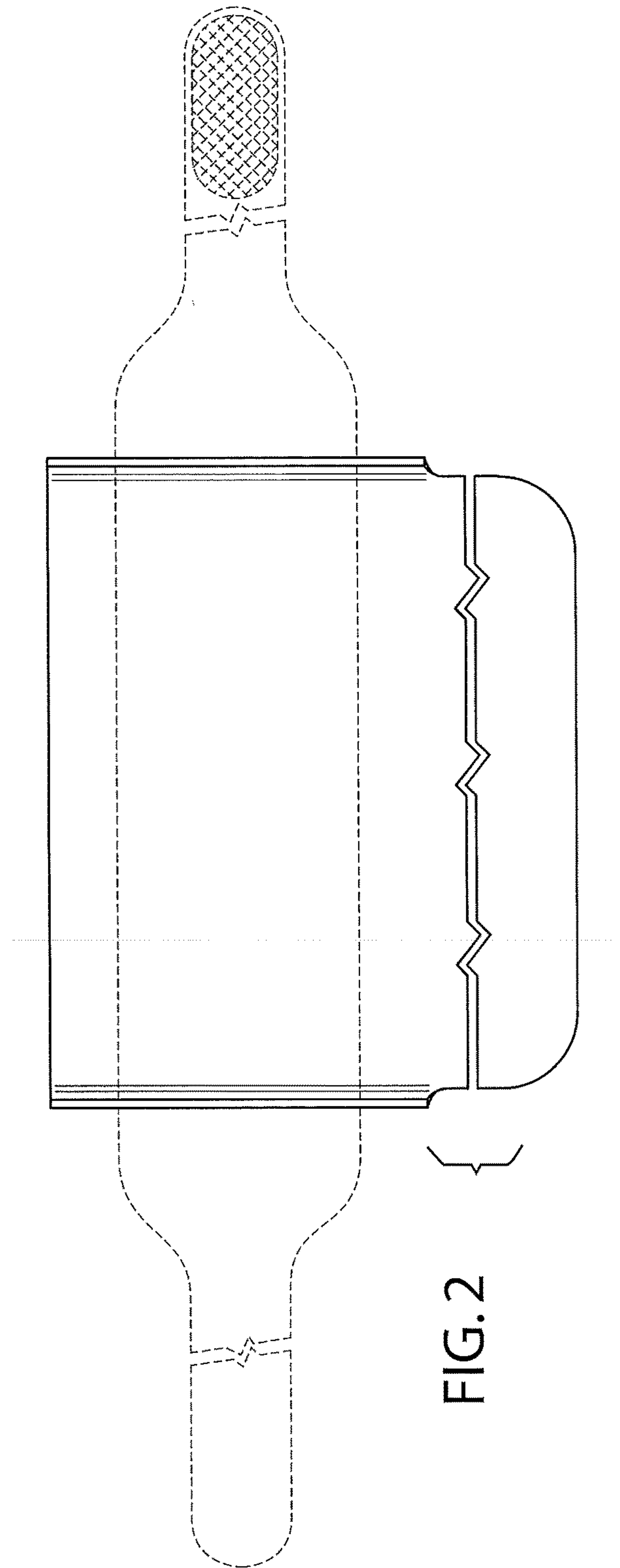
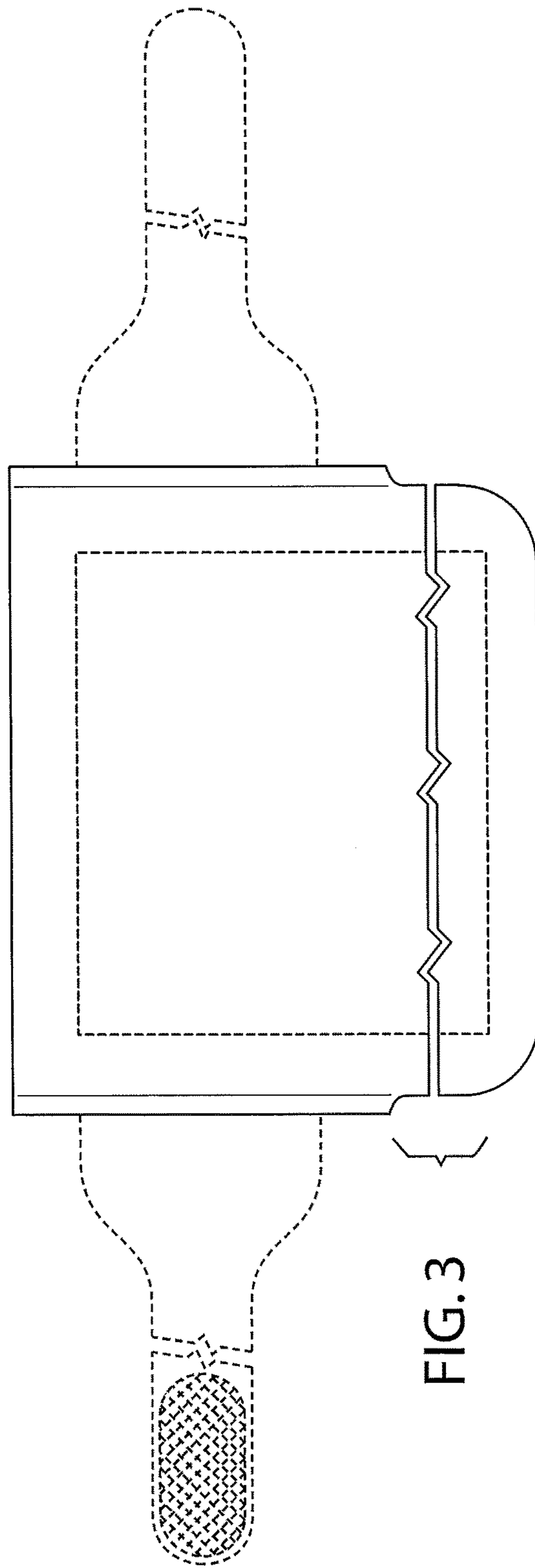


FIG. 2



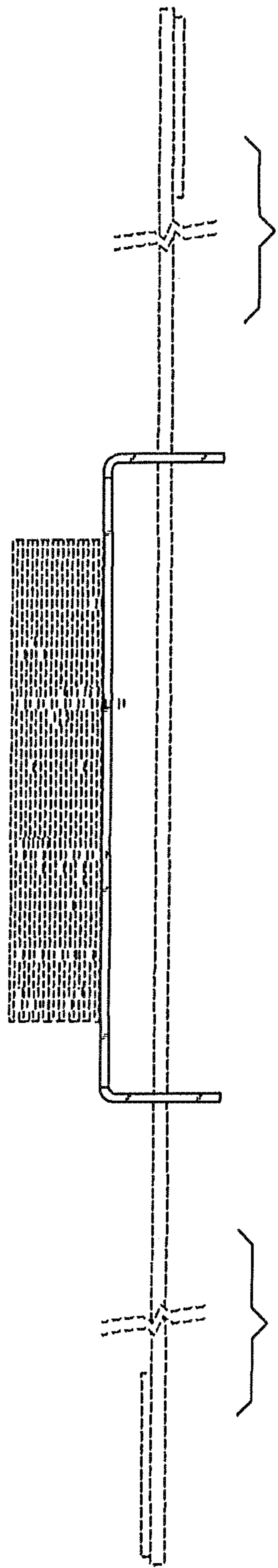


FIG. 4

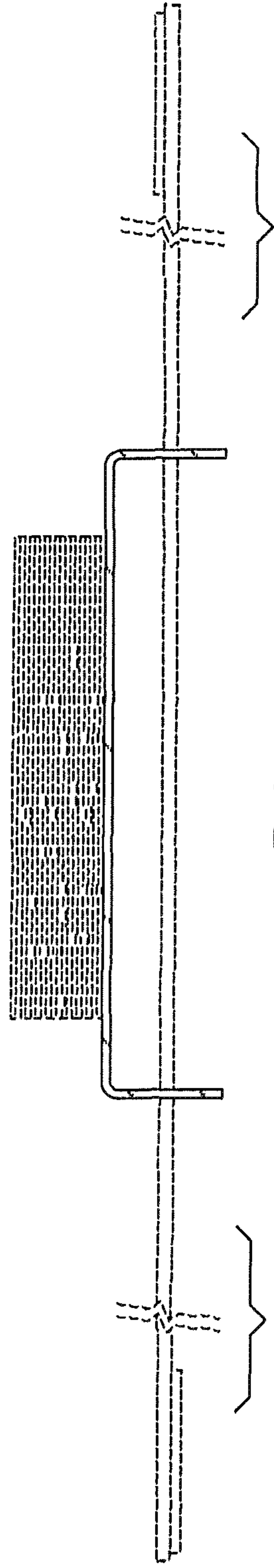


FIG. 5

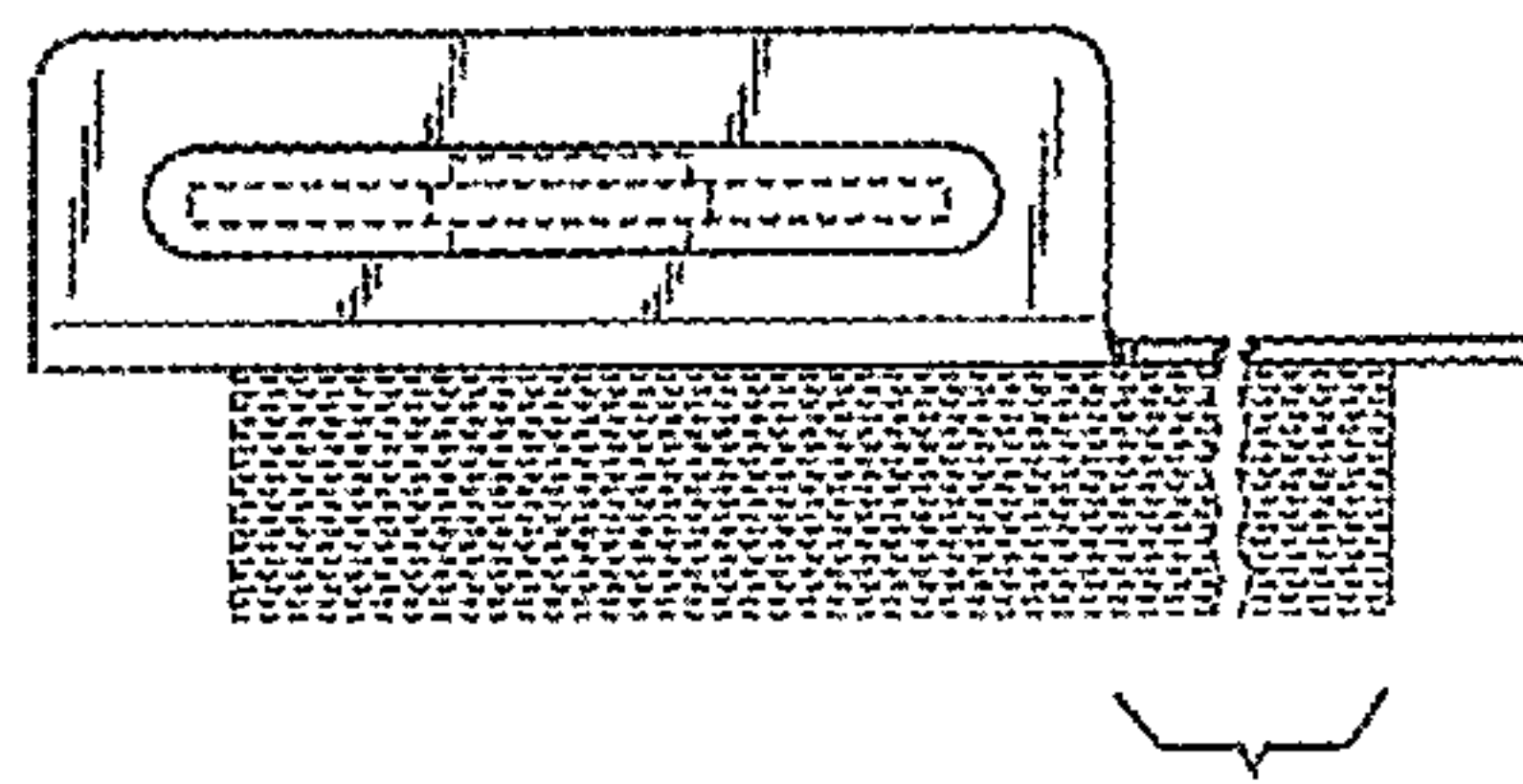


FIG.6