



US00D796185S

(12) **United States Design Patent** (10) **Patent No.:** **US D796,185 S**
Masten (45) **Date of Patent:** **** Sep. 5, 2017**

(54) **BABY HAND CARRIER STRAP**
(71) Applicant: **Kevin Scott Masten**, Kernersville, NC (US)
(72) Inventor: **Kevin Scott Masten**, Kernersville, NC (US)
(**) Term: **15 Years**
(21) Appl. No.: **29/534,637**
(22) Filed: **Jul. 30, 2015**
(51) **LOC (10) Cl.** **03-99**
(52) **U.S. Cl.**
USPC **D3/213**
(58) **Field of Classification Search**
USPC D3/213, 214, 215, 226, 327, 201;
D29/101.2; D16/243
CPC A47D 13/02; A47D 13/025; A47D 13/08;
A47D 15/005; A45F 3/12; A45F 3/14;
A45F 2003/142; A45F 3/15; A45F 5/00;
A41D 13/1245; A45C 13/30; F41C
33/002
See application file for complete search history.

D506,310 S * 6/2005 Kassai D3/213
D570,603 S * 6/2008 Wu D3/327
D613,057 S * 4/2010 Overton D3/226
D623,861 S * 9/2010 Kope F16M 11/041
D3/327
D645,245 S * 9/2011 Higuchi D3/214
D648,521 S * 11/2011 Higuchi D3/214
8,101,840 B1 * 1/2012 Boulanger G10G 5/005
84/327
D694,517 S * 12/2013 Shim D3/213
D698,541 S * 2/2014 Schulte, II D3/213
D772,577 S * 11/2016 Muchin D3/327
2007/0007314 A1 * 1/2007 Lin A45F 3/12
224/264
2008/0006661 A1 * 1/2008 Godshaw A45C 13/30
224/264
2008/0240624 A1 * 10/2008 Godshaw A45C 5/08
383/40
2013/0101784 A1 * 4/2013 Henry A45F 3/14
428/99

(Continued)

Primary Examiner — John Windmuller
Assistant Examiner — Steven Czyz

(57) **CLAIM**

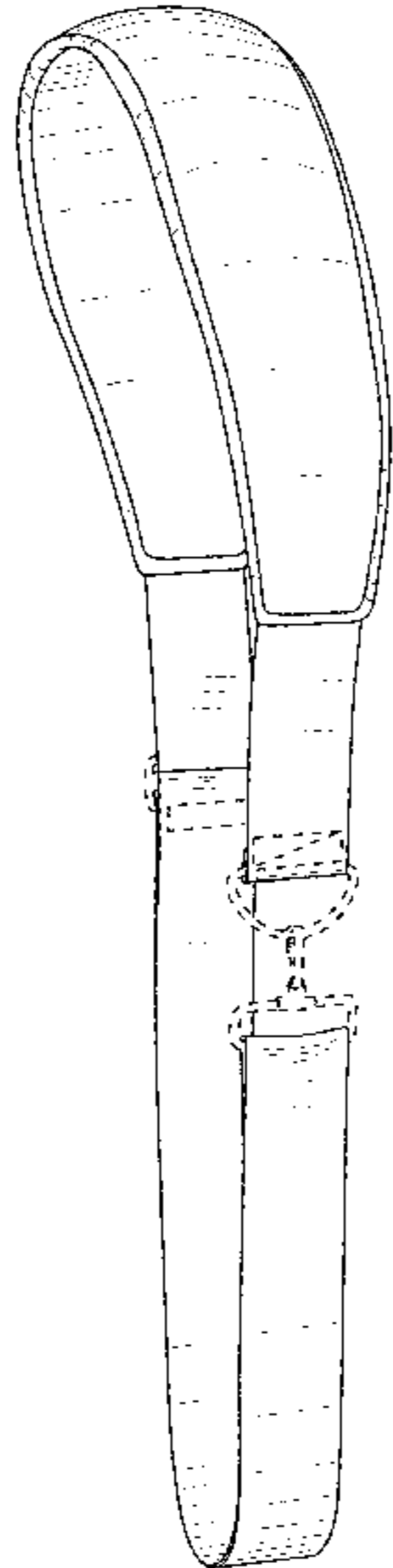
The ornamental design for a baby hand carrier strap, as shown and described.

DESCRIPTION

FIG. 1 is a front view of a baby hand carrier strap showing my new design;
FIG. 2 is a rear view thereof;
FIG. 3 is a left-side view thereof;
FIG. 4 is a right-side view thereof;
FIG. 5 is a top plan view thereof;
FIG. 6 is a bottom plan view thereof;
FIG. 7 is an isometric perspective view thereof; and,
FIG. 8 is a perspective view thereof.
The broken lines depict portions of the article that form no part of the claimed design.

1 Claim, 8 Drawing Sheets

(56) **References Cited**
U.S. PATENT DOCUMENTS
D176,433 S * 12/1955 Stringini et al. D3/214
D284,525 S * 7/1986 LeMaistre D21/823
4,901,898 A * 2/1990 Colombo A47D 13/025
224/159
D306,655 S * 3/1990 Schlegel Liebert D3/214
D314,081 S * 1/1991 Lehman D2/625
D314,394 S * 2/1991 Cardwell D16/243
D362,752 S * 10/1995 Steurer 224/627
D375,184 S * 11/1996 Hickli D3/213
D378,632 S * 4/1997 Popp D3/213
D386,310 S * 11/1997 Smith D3/327
D388,954 S * 1/1998 Nakayama D3/213
D403,852 S * 1/1999 Shimura D3/213



(56)

References Cited

U.S. PATENT DOCUMENTS

2013/0233902 A1* 9/2013 Henry A45F 3/12
224/600
2014/0076943 A1* 3/2014 Ng A47D 13/025
224/160
2014/0103084 A1* 4/2014 Hale A45F 3/12
224/264
2015/0225164 A1* 8/2015 Seiders B65D 81/3858
220/592.25

* cited by examiner

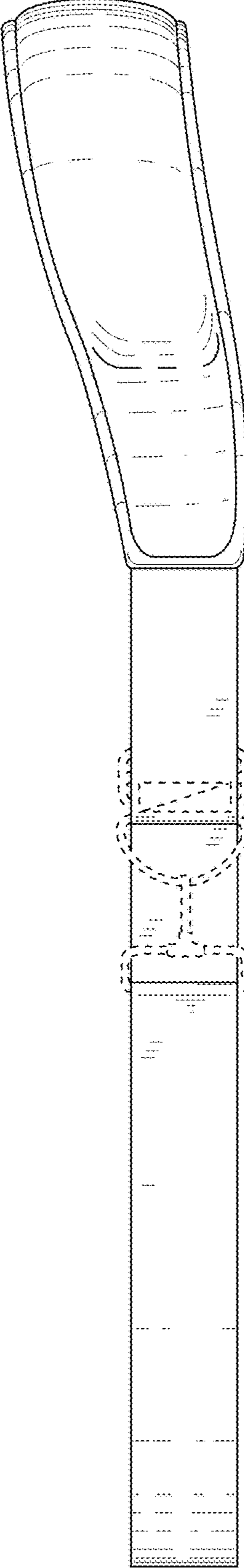


FIG. 1

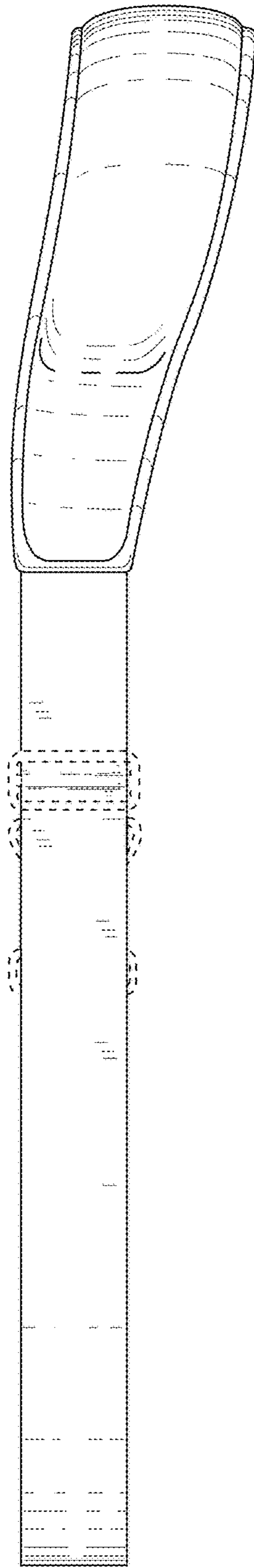


FIG. 2



FIG. 3

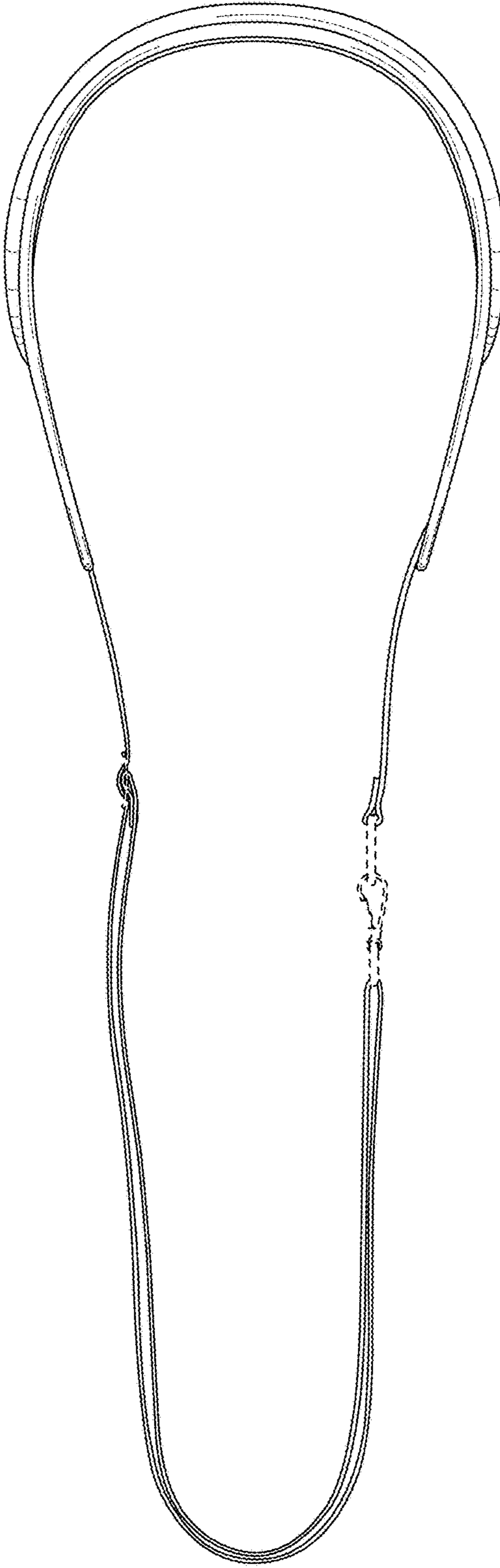


FIG. 4

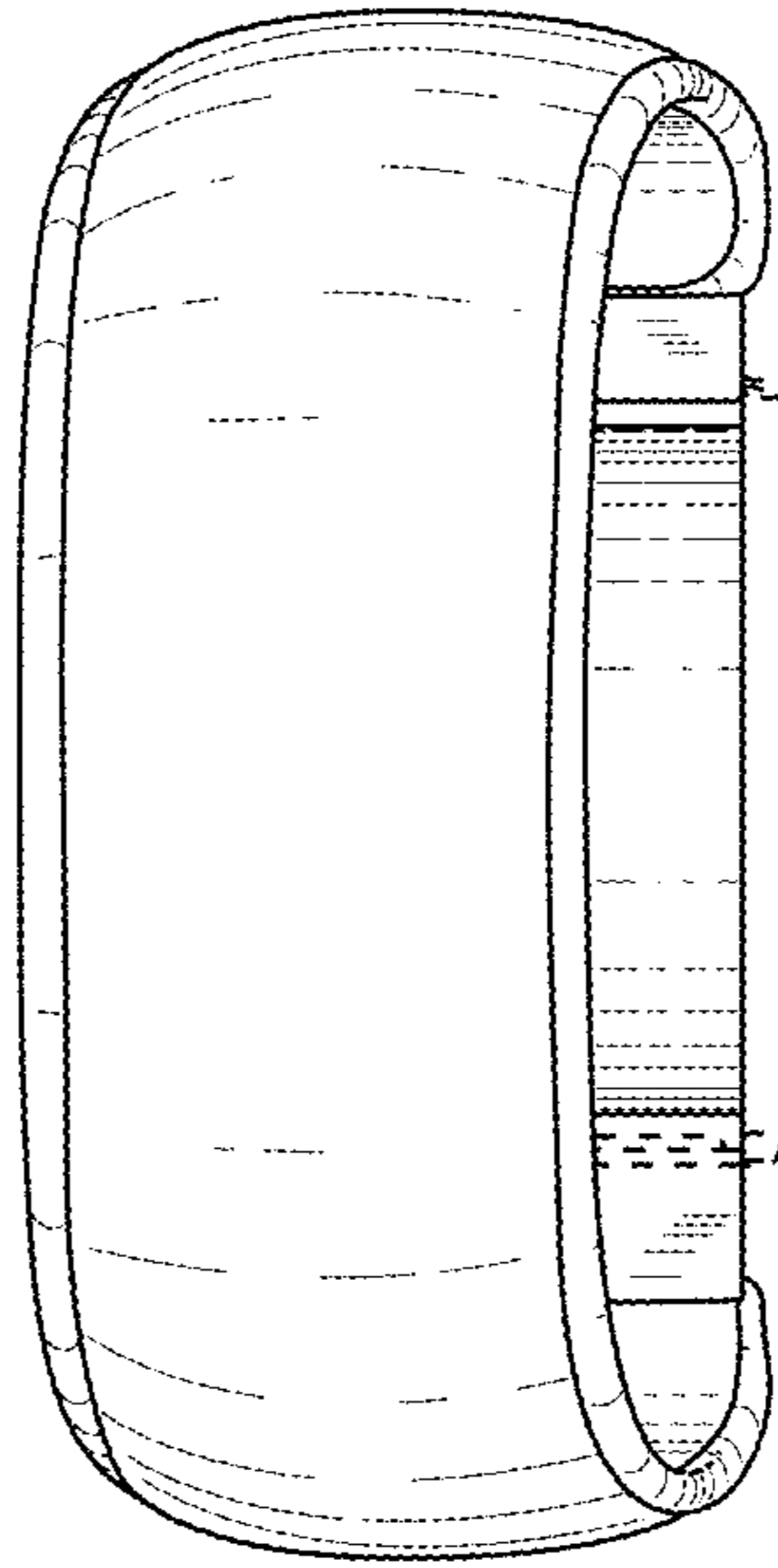


FIG. 5

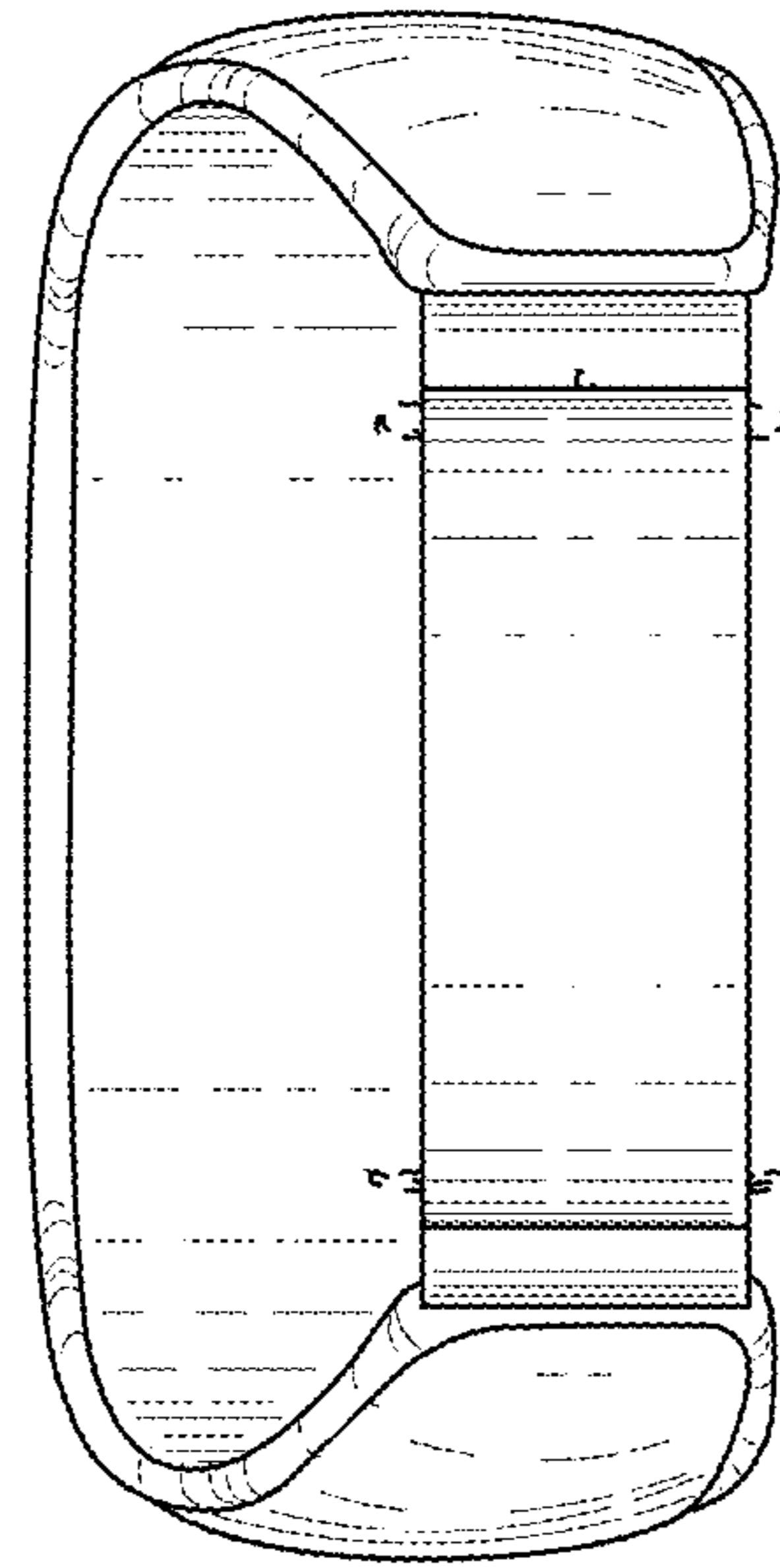


FIG. 6

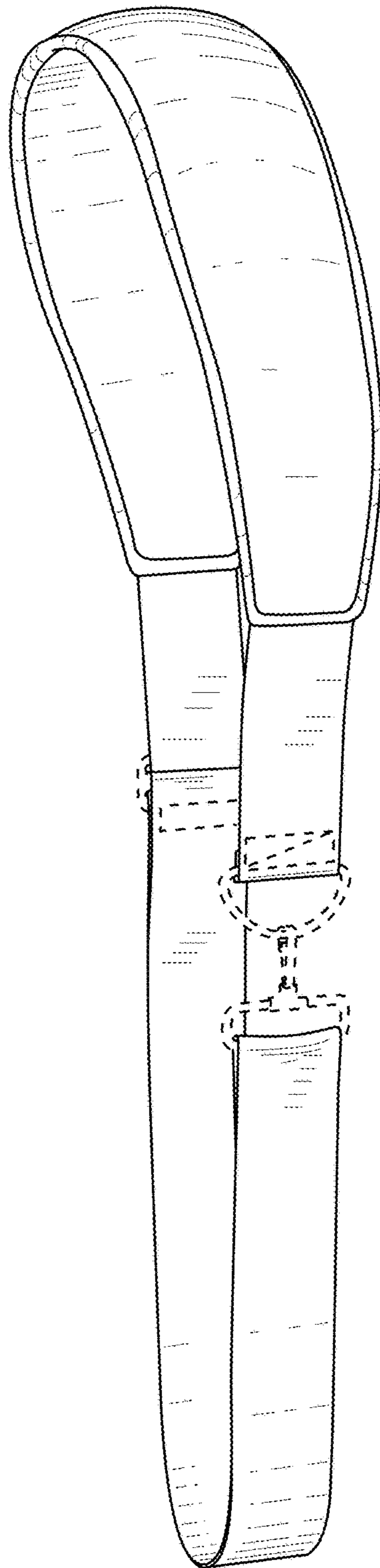


FIG. 7

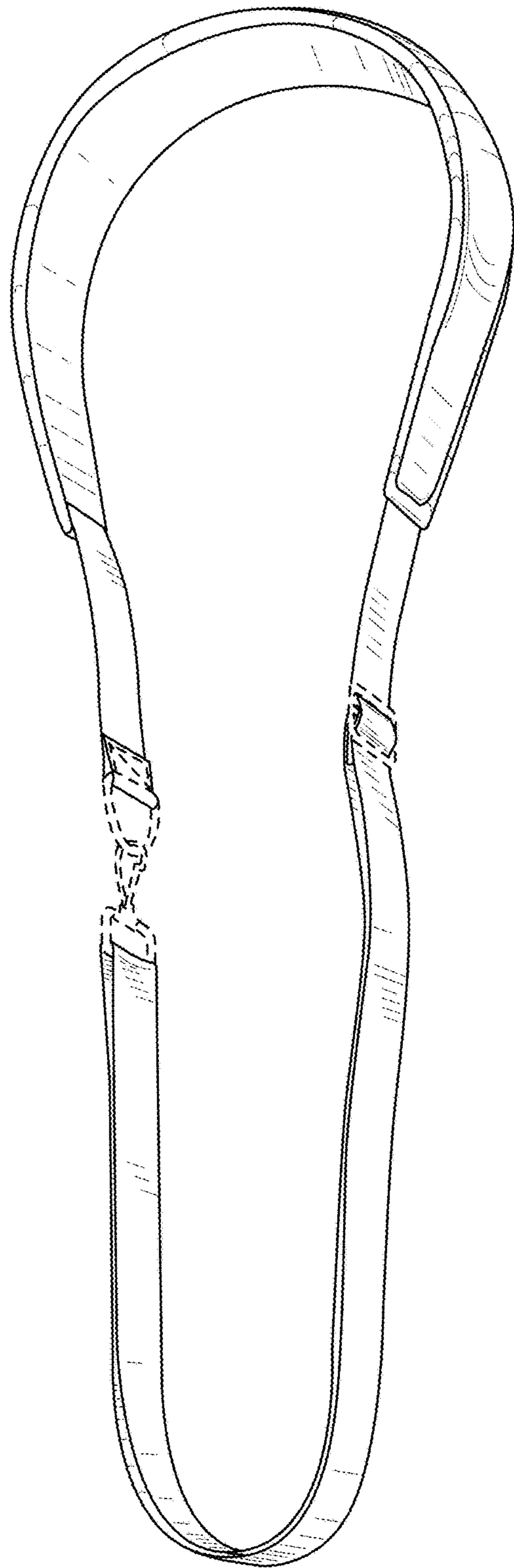


FIG. 8