

US00D796184S

(12) **United States Design Patent** (10) **Patent No.:** **US D796,184 S**
Terkel (45) **Date of Patent:** **** Sep. 5, 2017**

(54) **KEY HOLDER**

(71) Applicant: **Giant Concepts LLC**, Los Angeles, CA (US)

(72) Inventor: **Amir Terkel**, Reseda, CA (US)

(**) Term: **15 Years**

(21) Appl. No.: **29/564,465**

(22) Filed: **May 13, 2016**

(51) **LOC (10) Cl.** **08-01**

(52) **U.S. Cl.**
USPC **D3/207**

(58) **Field of Classification Search**
USPC D11/1-2, 14, 26-29, 89-92, 44, 48, 81, D11/99; 63/26-28, 32; D3/207-212; D8/16, 38, 347, 348, 33, 34; 70/456 B, 70/457, 458, 456 R; 206/37.1, 37; D14/434, 435, 435.1, 436, 439, 480.3, D14/480.1, 480.5, 480.7; D24/174, 173, D24/480.3
CPC A45C 11/32; A45C 11/321; A47G 29/10; A44B 15/00; A44C 11/324; A44C 11/328
See application file for complete search history.

(56) **References Cited**

U.S. PATENT DOCUMENTS

D97,570 S * 11/1935 Trolen D3/210
2,549,228 A * 4/1951 Ostrander A45C 11/324
70/458
D248,960 S * 8/1978 Iverson D20/23
D380,948 S * 7/1997 Smith D8/33
D522,173 S * 5/2006 Sanders D27/187

D602,687 S * 10/2009 Castaline D3/207
D680,733 S * 4/2013 Aprea D3/208
D683,951 S * 6/2013 Busch D3/207
D705,533 S * 5/2014 Tunney D3/207
D730,446 S * 5/2015 Busch D19/121
D754,427 S * 4/2016 Tunney D3/207
D754,428 S * 4/2016 Tunney D3/207
D756,630 S * 5/2016 Tunney D3/207
D771,936 S * 11/2016 Shlaferman D3/207

OTHER PUBLICATIONS

<http://www.orbitkey.com/collections/active-elastomer>.

* cited by examiner

Primary Examiner — Ralf Seifert

(74) *Attorney, Agent, or Firm* — Kundu PLLC

(57) **CLAIM**

The ornamental design of a key holder, as shown and described.

DESCRIPTION

FIG. 1 is a perspective view of a key holder, illustrating the novel design.

FIG. 2 is another perspective view of the key holder shown in FIG. 1.

FIG. 3 is a plan view of the top surface of the key holder shown in FIG. 1.

FIG. 4 is a plan view of the bottom surface of the key holder shown in FIG. 1.

FIG. 5 is a side view of the left side of the key holder shown in FIG. 1; and,

FIG. 6 is a side view of the right side of key holder shown in FIG. 1.

1 Claim, 6 Drawing Sheets

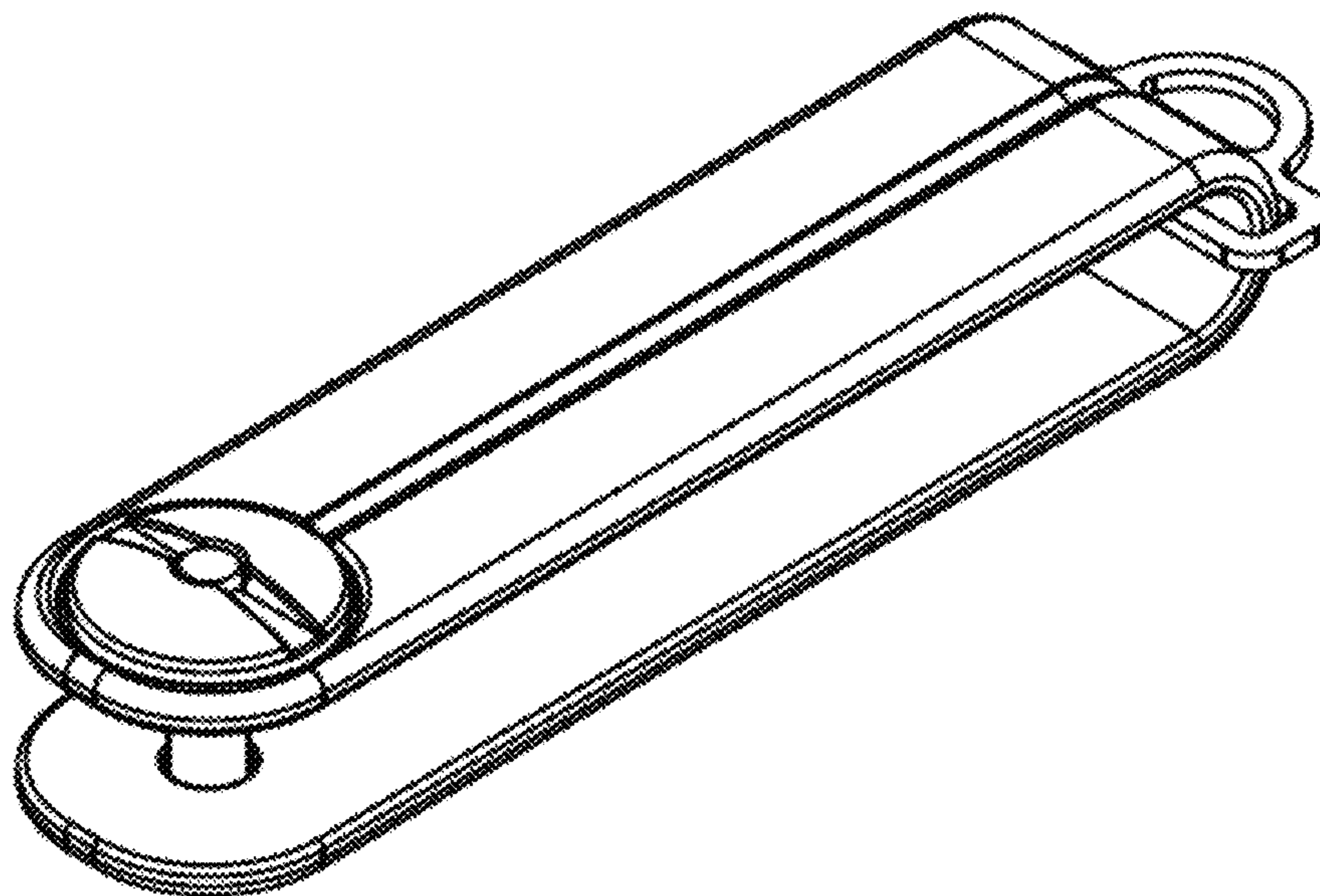


FIG. 1

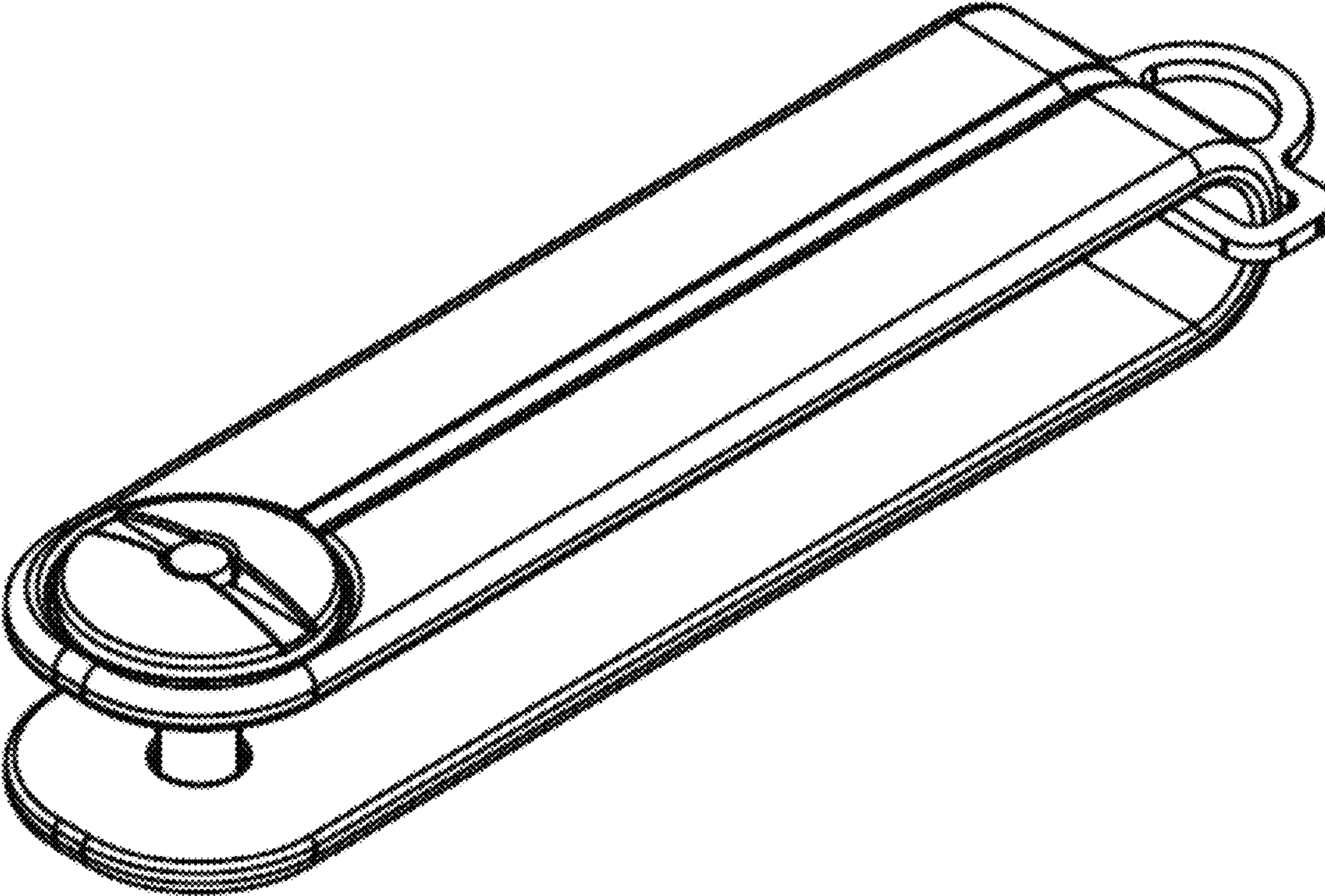


FIG. 2

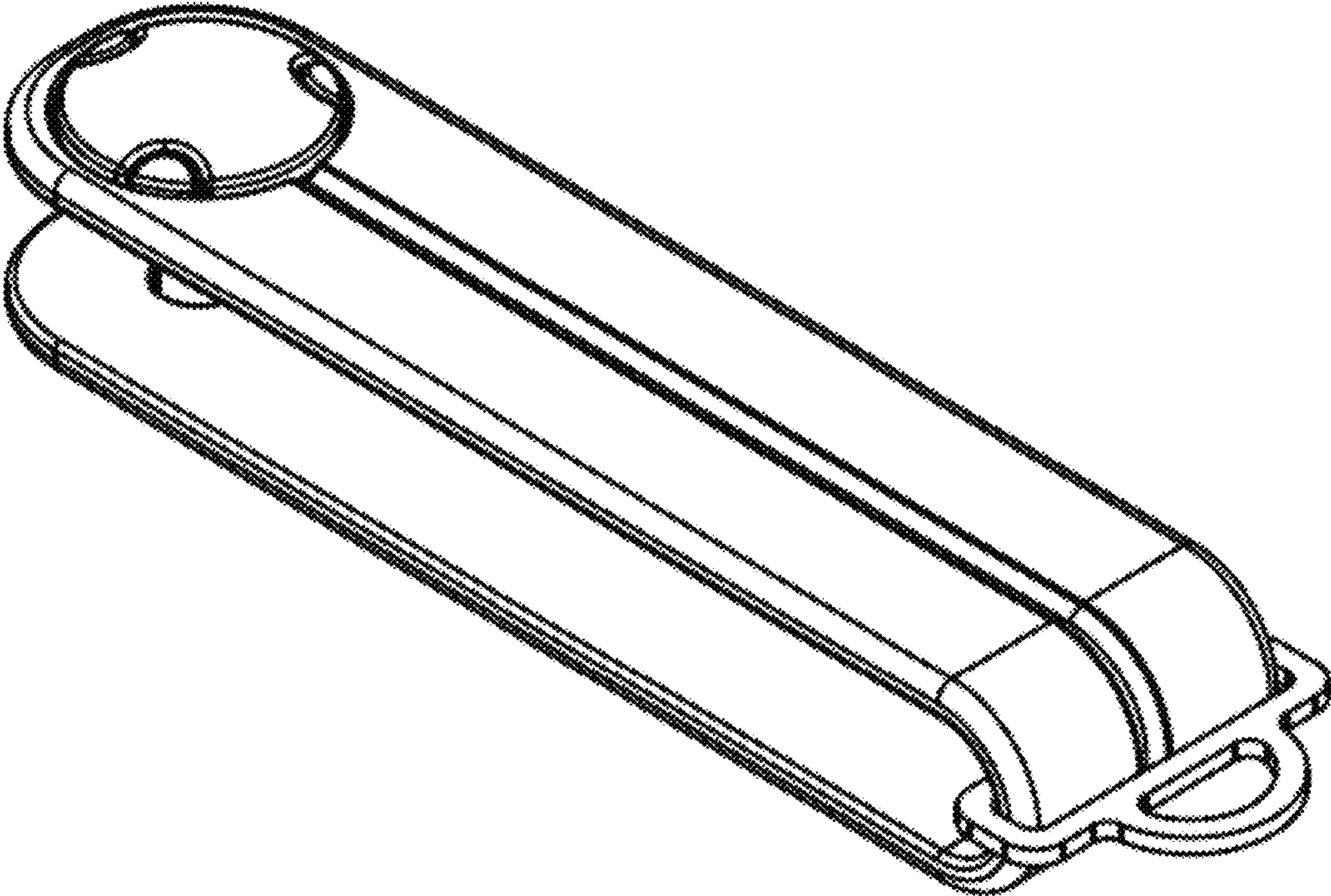


FIG. 3

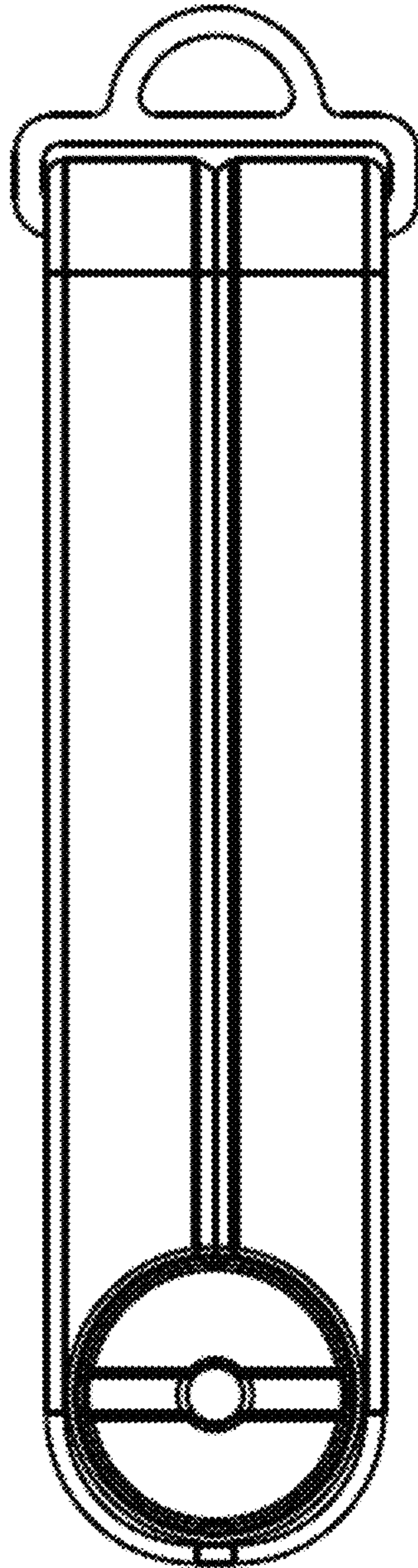


FIG. 4

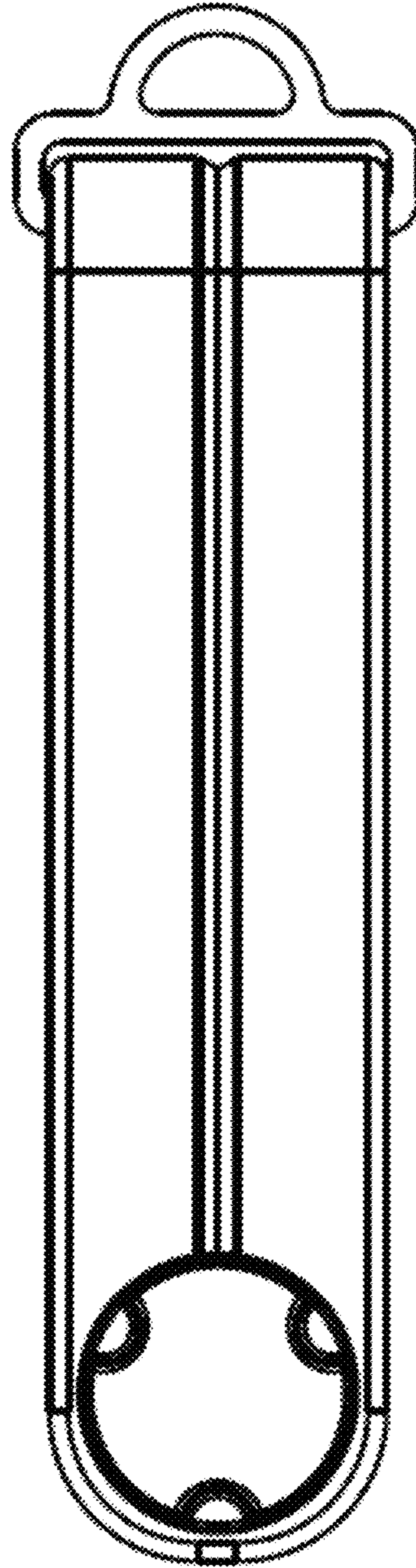


FIG. 5

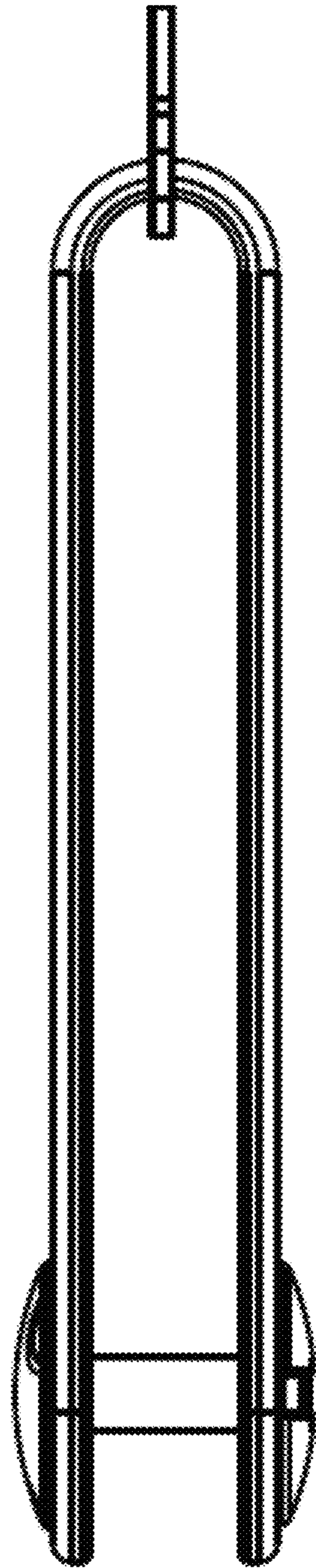


FIG. 6

