

US00D796183S

(12) **United States Design Patent** (10) **Patent No.:** **US D796,183 S**  
**Zhou et al.** (45) **Date of Patent:** **\*\* Sep. 5, 2017**

(54) **CARRYING CASE FOR MEDICAL DELIVERY DEVICE**

FOREIGN PATENT DOCUMENTS

(71) Applicant: **ABBVIE INC.**, North Chicago, IL (US)

CN 302003508 7/2012  
EM 001699448-0001 5/2010

(Continued)

(72) Inventors: **Ji Zhou**, Lake Villa, IL (US); **Shawn Malloy**, Chicago, IL (US); **Grant Whitney**, Chicago, IL (US); **Rajkumar Conjeevaram**, Lake Bluff, IL (US); **Phil Anderson**, Libertyville, IL (US); **David Lacewell**, Naperville, IL (US); **Mehdi Megdoud**, Antony (FR); **Mikael Tutschke-Saettler**, Moehlin (CH); **Damon Vaughan**, Chicago, IL (US); **Derek Leatzow**, Chicago, IL (US); **Sean Corrigan**, Chicago, IL (US); **John White**, Chicago, IL (US); **Michael Lau**, Chicago, IL (US)

OTHER PUBLICATIONS

Advantages of a Police Outer Vest Carrier, Announced Oct. 8, 2013, [Site Visited Mar. 28, 2016] <http://www.blauer.com/dispatch/advantages-of-a-police-outer-vest-carrier/>.

(Continued)

*Primary Examiner* — John Windmuller  
*Assistant Examiner* — Steven Czyz  
(74) *Attorney, Agent, or Firm* — Baker Botts L.L.P.

(73) Assignee: **ABBVIE INC.**, North Chicago, IL (US)

(57) **CLAIM**

The ornamental design for a carrying case for medical delivery device, as shown and described.

(\*\*) Term: **14 Years**

**DESCRIPTION**

(21) Appl. No.: **29/524,026**

FIG. 1 is a perspective view of a carrying case for medical delivery device.

(22) Filed: **Apr. 15, 2015**

FIG. 2 is a front view of the carrying case for medical delivery device of FIG. 1.

(51) **LOC (10) Cl.** ..... **03-01**

FIG. 3 is a rear view of the carrying case for medical delivery device of FIG. 1.

(52) **U.S. Cl.**  
USPC ..... **D3/203.1**

FIG. 4 is a left side view of the carrying case for medical delivery device of FIG. 1.

(58) **Field of Classification Search**  
USPC ..... D3/201, 203.1, 203.2, 203.3, 203.5,  
D3/203.6, 203.7, 203.8, 215, 227, 228,  
(Continued)

FIG. 5 is a right side view of the carrying case for medical delivery device of FIG. 1.

FIG. 6 is a top view of the carrying case for medical delivery device of FIG. 1.

(56) **References Cited**

U.S. PATENT DOCUMENTS

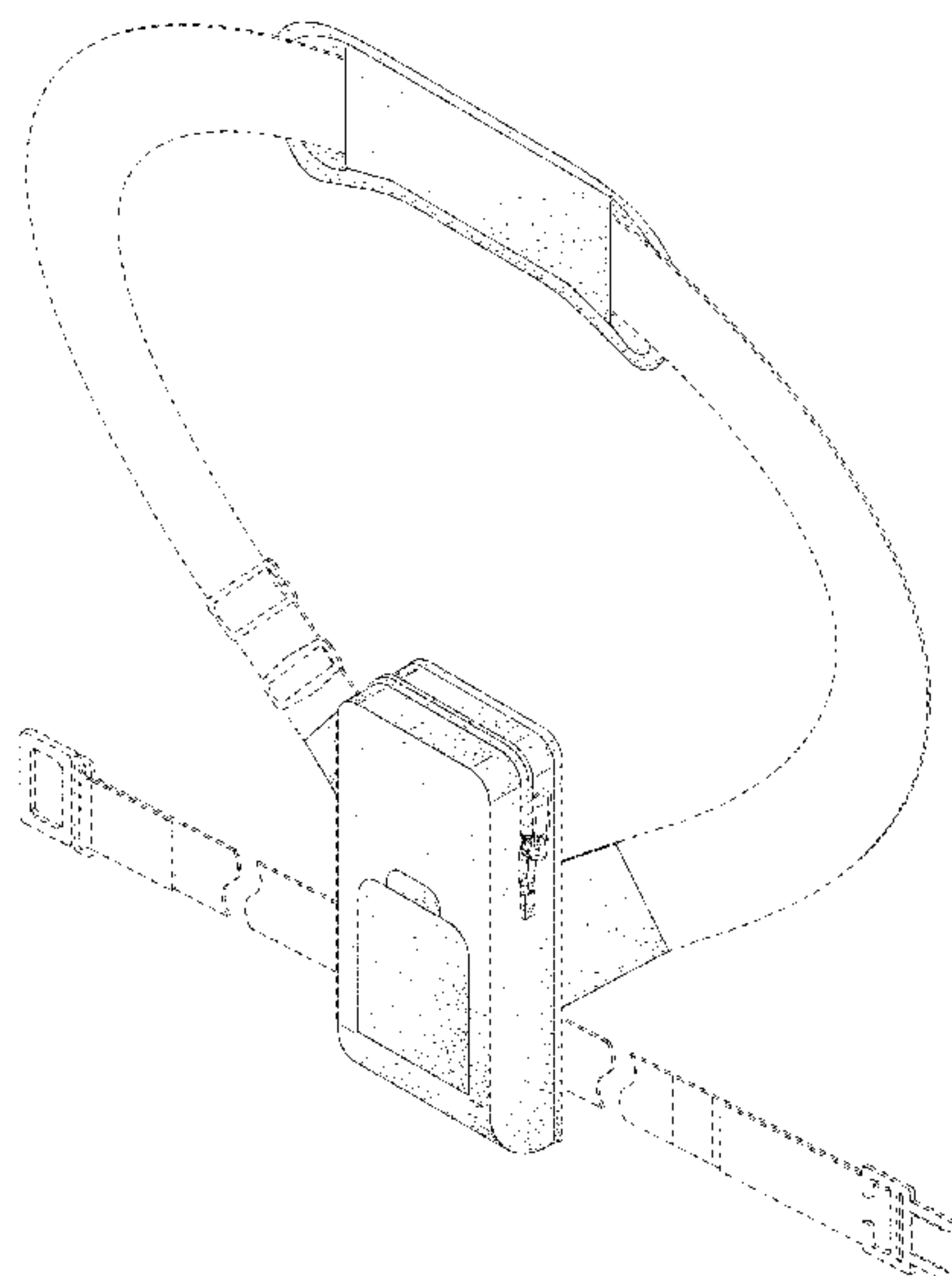
D29,559 S 10/1898 Tesiny  
D170,156 S 8/1953 Hagan  
(Continued)

FIG. 7 is a bottom view of the carrying case for medical delivery device of FIG. 1; and,

FIG. 8 is a perspective view of the carrying case for medical delivery device of FIG. 1 in an open configuration.

The broken lines depict portions of the article that form no part of the claimed design.

**1 Claim, 6 Drawing Sheets**



(58) **Field of Classification Search**

USPC ..... D3/247, 252, 301, 303, 327; D24/199;  
 D2/863, 864, 502, 624, 627, 628, 629,  
 D2/636, 639; D29/101.1, 101.2, 101.3,  
 D29/101.5  
 CPC .. A41D 13/1245; A41D 27/20; A41D 27/205;  
 A41D 2200/10; A41D 2400/48; A41D  
 2600/10; A41D 2600/20; A44B 11/005;  
 A45F 3/04; A45F 3/14; A45F 5/00; A45F  
 2003/045; A45F 3/047; A45F 3/06; A45F  
 2003/144; A45F 5/021; A45F 2200/05;  
 A45F 2200/0508; A45F 2200/055  
 See application file for complete search history.

(56) **References Cited**

U.S. PATENT DOCUMENTS

2,954,563 A 10/1960 De Grazia  
 D237,022 S 10/1975 Mathis  
 D245,537 S 8/1977 Gurgiolo  
 D249,592 S \* 9/1978 Libonati ..... 224/222  
 4,141,401 A \* 2/1979 Hindemit ..... A45C 11/00  
 206/305  
 4,201,290 A \* 5/1980 Madden ..... A45C 15/00  
 132/314  
 D256,850 S 9/1980 Donahue  
 D257,910 S 1/1981 Viio  
 D261,447 S 10/1981 Viio  
 D263,641 S 4/1982 Nandorf  
 D273,818 S 5/1984 Spencer  
 D278,090 S 3/1985 Cochran  
 D278,840 S 5/1985 Winston  
 4,602,387 A 7/1986 Zakrzewski  
 D292,015 S 9/1987 McWaters  
 D293,618 S 1/1988 Berenson  
 D293,841 S \* 1/1988 Strobel ..... D3/201  
 4,764,962 A \* 8/1988 Ekman ..... H04R 1/02  
 224/259  
 D298,386 S \* 11/1988 Hirahara ..... 224/264  
 D306,800 S \* 3/1990 Yeager ..... D3/203.8  
 D315,242 S 3/1991 Ruge  
 5,002,270 A 3/1991 Shine  
 D340,794 S 11/1993 Winston  
 D345,861 S \* 4/1994 Knox ..... D3/203.7  
 D351,061 S 10/1994 Coons  
 D352,606 S \* 11/1994 Cylvick ..... D3/203.1  
 D356,883 S 4/1995 Ganahl  
 D360,517 S 7/1995 Reizenstein  
 D362,540 S \* 9/1995 McNamara ..... D3/215  
 D363,593 S 10/1995 Murray  
 5,465,424 A 11/1995 Cudney et al.  
 5,477,998 A 12/1995 Reckler  
 D370,991 S 6/1996 Christianson  
 D377,861 S 2/1997 Jacober  
 D380,086 S \* 6/1997 Brassard ..... D3/215  
 5,645,080 A \* 7/1997 Toso ..... A61F 5/028  
 128/876  
 D382,106 S \* 8/1997 Hillestad ..... D3/215  
 D382,995 S \* 9/1997 Hale ..... D3/215  
 D384,788 S 10/1997 Curry  
 5,708,978 A 1/1998 Johnsrud  
 D390,338 S 2/1998 Plasco  
 D391,682 S 3/1998 Palembang  
 D392,439 S 3/1998 Okoniewski  
 D393,947 S 5/1998 Alves et al.  
 5,772,014 A 6/1998 Jacober  
 D395,736 S 7/1998 Walters  
 D397,838 S \* 9/1998 Waggoner ..... D14/192  
 D398,738 S 9/1998 De La Rosa  
 D402,788 S 12/1998 Blankenship, Jr.  
 D404,908 S \* 2/1999 Lollis ..... D3/215  
 D409,697 S 5/1999 Ott  
 D413,430 S \* 9/1999 Granata ..... D3/10  
 D414,913 S 10/1999 Katz et al.  
 D418,287 S \* 1/2000 Moor ..... D3/201

D425,295 S 5/2000 Borja et al.  
 D426,058 S 6/2000 Gaines et al.  
 D428,696 S 8/2000 Fier  
 D428,700 S \* 8/2000 Hillman ..... D3/201  
 D429,564 S \* 8/2000 Carver ..... D3/226  
 D429,881 S \* 8/2000 Gray ..... D3/215  
 D435,168 S \* 12/2000 Momburg ..... D3/215  
 D435,169 S \* 12/2000 Carver ..... D3/226  
 D435,170 S 12/2000 Haapala  
 D435,611 S 12/2000 Hines  
 D447,342 S 9/2001 Guy et al.  
 D453,264 S \* 2/2002 Acevedo, Jr. .... D3/203.1  
 D455,009 S \* 4/2002 Thayer ..... D3/316  
 D455,255 S \* 4/2002 Zeigler ..... D3/218  
 D461,036 S 8/2002 Forbes  
 D472,702 S \* 4/2003 Hassett ..... D3/218  
 D475,837 S 6/2003 Neider  
 D479,647 S \* 9/2003 Paura ..... D3/215  
 D480,207 S \* 10/2003 Marks ..... D3/228  
 D482,865 S 12/2003 Fair  
 6,675,391 B2 1/2004 Morrison  
 D487,844 S \* 3/2004 Nichols ..... D3/215  
 D489,163 S \* 5/2004 Tucker ..... D2/639  
 D491,355 S \* 6/2004 Slood ..... D3/247  
 D491,357 S \* 6/2004 Hassett ..... D3/263  
 D495,484 S \* 9/2004 Marks ..... D3/215  
 D496,155 S \* 9/2004 Londono ..... D3/215  
 D498,048 S \* 11/2004 Reichardt ..... D3/226  
 D502,803 S \* 3/2005 Racov ..... D3/228  
 6,874,163 B2 4/2005 Marshall  
 D512,216 S \* 12/2005 Joyce ..... D3/203.6  
 D515,805 S \* 2/2006 Jones ..... D3/215  
 D516,813 S \* 3/2006 Tortorella ..... D3/301  
 7,058,982 B2 6/2006 Atallah et al.  
 D538,509 S 3/2007 Silverman  
 D543,032 S \* 5/2007 Owenby ..... D3/303  
 D544,711 S \* 6/2007 Mundy ..... D3/247  
 D545,028 S 6/2007 Myrick  
 D548,460 S \* 8/2007 Le Coq ..... D3/260  
 D556,452 S 12/2007 Hydon  
 D565,837 S \* 4/2008 Miles ..... D3/203.1  
 D567,505 S \* 4/2008 Le Coq ..... D3/260  
 D572,465 S \* 7/2008 Beck ..... D3/215  
 D580,633 S 11/2008 Cross  
 D584,895 S 1/2009 Holzner et al.  
 D588,798 S \* 3/2009 Combs, Jr. .... D3/203.1  
 D589,249 S \* 3/2009 Laws ..... D3/203.1  
 D594,223 S \* 6/2009 Jackson ..... D3/215  
 D598,191 S \* 8/2009 Tang ..... D3/203.1  
 D602,678 S 10/2009 Foley  
 D602,689 S \* 10/2009 Hewitt ..... D3/247  
 D606,749 S \* 12/2009 Mittelman ..... D3/247  
 D610,346 S 2/2010 Eriksen et al.  
 D611,681 S 3/2010 Pettingill et al.  
 D614,048 S \* 4/2010 Smith ..... D3/203.1  
 D615,296 S 5/2010 Bassee  
 D621,152 S 8/2010 Lebow  
 D622,036 S 8/2010 Mason, III  
 D622,956 S \* 9/2010 Hoffman ..... D3/215  
 D652,214 S \* 1/2012 Swartz ..... D3/301  
 D653,430 S 2/2012 Pouches  
 D655,478 S 3/2012 McCollum  
 D669,268 S 10/2012 Phillips et al.  
 D677,861 S 3/2013 Perry  
 D683,933 S 6/2013 Robbins  
 D685,159 S 7/2013 Lambertz  
 D685,187 S \* 7/2013 Willows ..... D3/301  
 D688,915 S 9/2013 Green  
 D689,262 S 9/2013 Passman  
 D689,690 S 9/2013 Hordos  
 D690,502 S \* 10/2013 Bergquist ..... D3/216  
 D691,809 S \* 10/2013 Palevac ..... D3/327  
 D692,665 S 11/2013 Willows et al.  
 D695,011 S 12/2013 Morszeck  
 D706,031 S \* 6/2014 Willows ..... D3/249  
 D706,532 S 6/2014 Wilbur  
 D707,424 S 6/2014 Pezzimenti  
 D712,144 S 9/2014 Albanese  
 D714,022 S 9/2014 Mong et al.



(56)

References Cited

U.S. PATENT DOCUMENTS

8,820,596 B1 \* 9/2014 Bergquist ..... A45F 4/02  
224/153  
D716,045 S \* 10/2014 Requa ..... D3/249  
D718,930 S 12/2014 Cabana  
D719,732 S 12/2014 Hyzdu  
8,960,511 B2 \* 2/2015 Shepherd ..... A45C 3/00  
224/259  
D723,263 S \* 3/2015 Zhuang ..... D3/203.1  
D723,804 S 3/2015 Coleman  
D728,218 S 5/2015 Goldstein  
D732,818 S 6/2015 Pineda  
D734,567 S 7/2015 Broder  
D739,142 S 9/2015 Coleman  
9,265,331 B1 \* 2/2016 Hoffman ..... A45F 5/00  
D764,147 S \* 8/2016 Zhou ..... D2/829  
D764,168 S \* 8/2016 Hyslop ..... D3/218  
D764,800 S \* 8/2016 Juniper ..... D3/303  
D769,621 S 10/2016 Hissong et al.  
2004/0153012 A1 8/2004 Schroeder  
2005/0067246 A1 3/2005 Teicher et al.  
2005/0241972 A1 \* 11/2005 Hassett ..... A45C 5/06  
206/320  
2007/0051645 A1 \* 3/2007 Hassett ..... A45F 5/022  
206/316.2

2009/0134190 A1 \* 5/2009 O'Neill ..... A45C 11/00  
224/191  
2009/0140017 A1 \* 6/2009 Boyd ..... A45F 5/02  
224/199  
2009/0301511 A1 12/2009 Vinci  
2011/0154889 A1 \* 6/2011 Stafford ..... G01N 33/48778  
73/61.59  
2014/0367438 A1 \* 12/2014 Hunt ..... A45F 5/14  
224/567

FOREIGN PATENT DOCUMENTS

KR 300432848.0000 12/2006  
KR 300764966.0000 10/2014  
NO 20090182-0010 11/2009

OTHER PUBLICATIONS

Improve Osteopenia and Osteoporosis by Wearing this Weight Vest,  
Announced Aug. 20, 2013 [Site Visited Mar. 28, 2016] <http://weightvest4osteoporosis.com/>.  
Warrior Class Studios, Announced Jul. 24, 2013 [Site Visited Mar.  
28, 2016] <http://warriorclass.blogspot.com/2013/07/warriorclassstudios-another-essential.html>.

\* cited by examiner

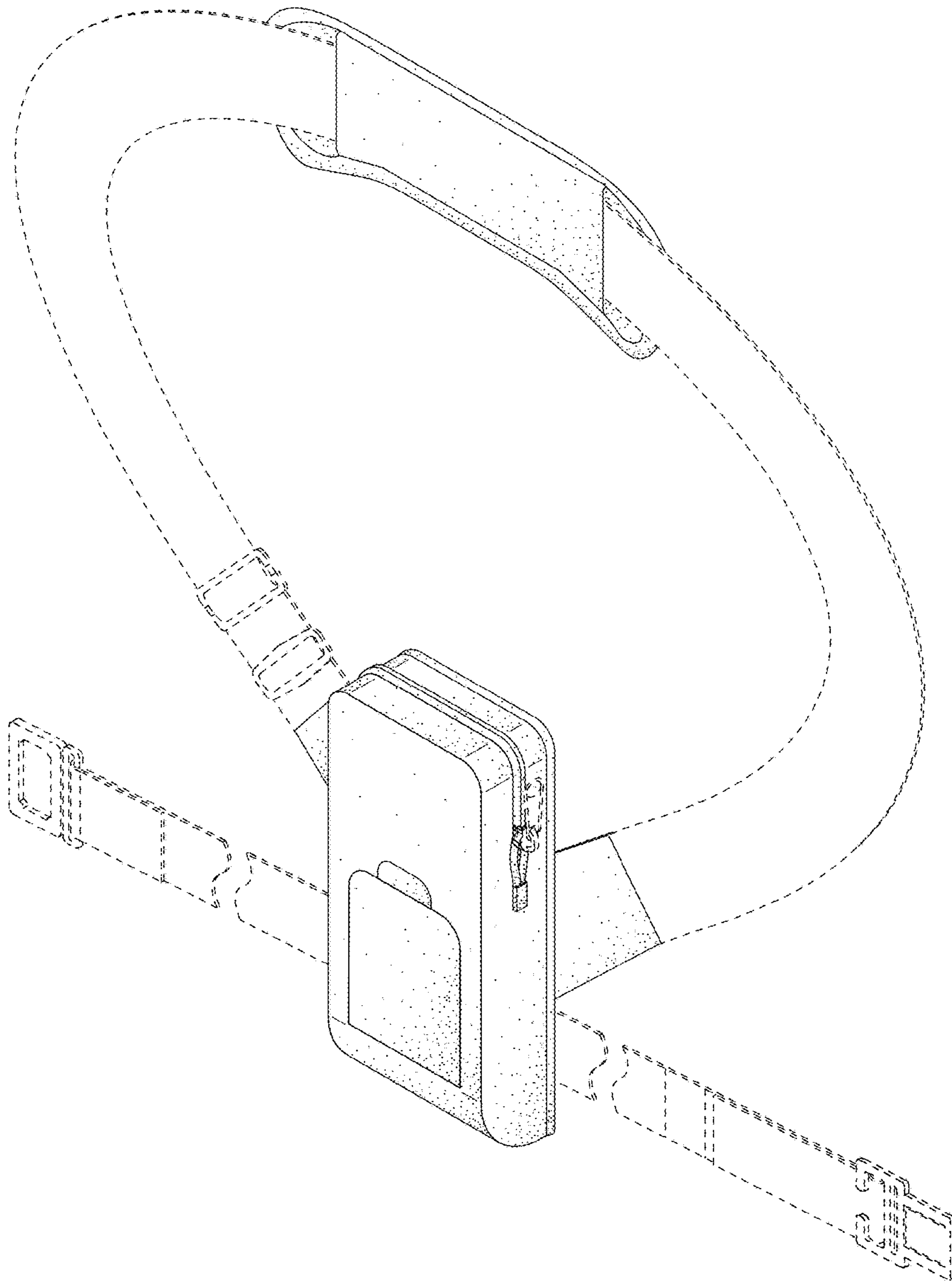


FIG. 1

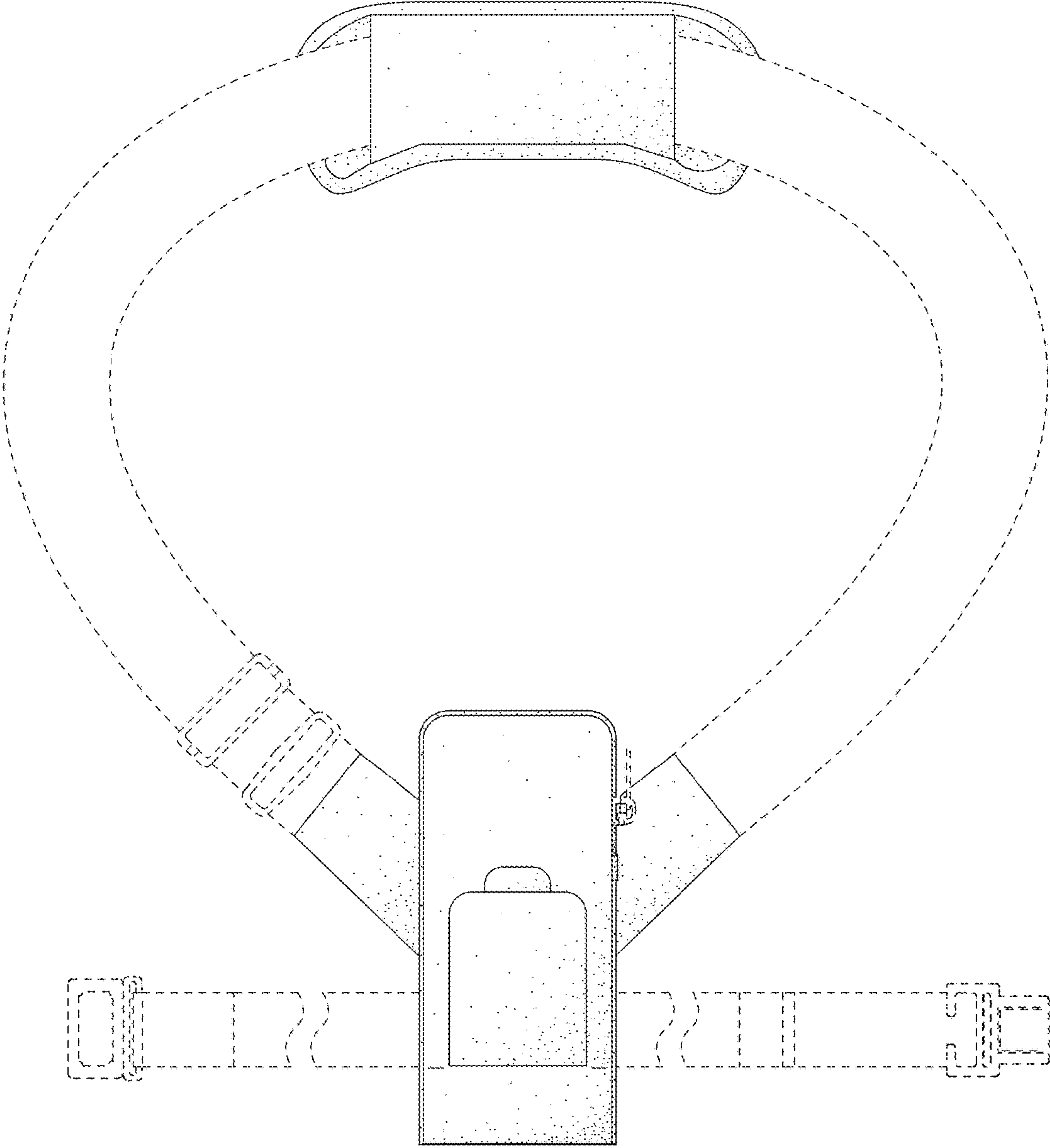


FIG. 2

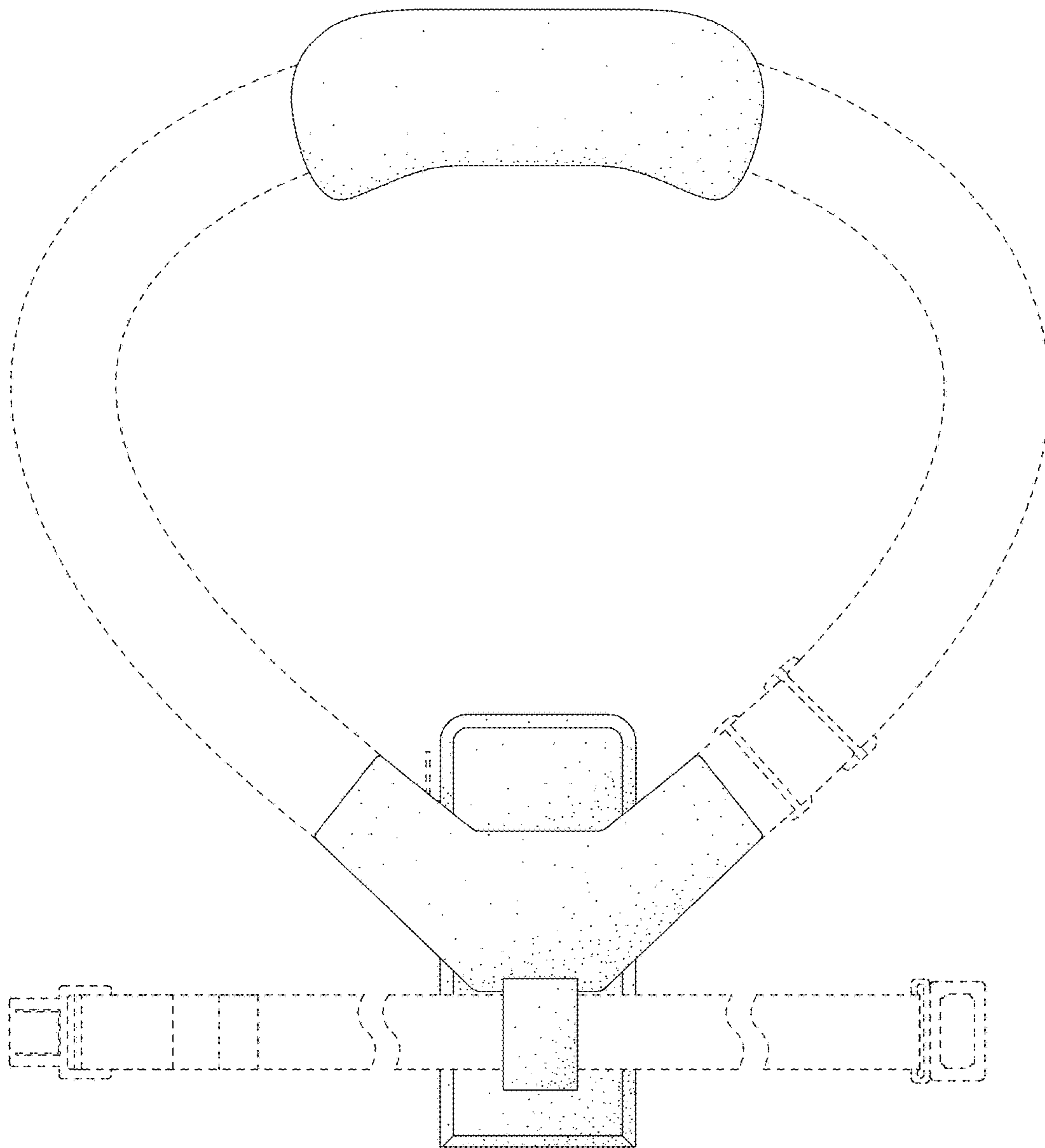


FIG. 3

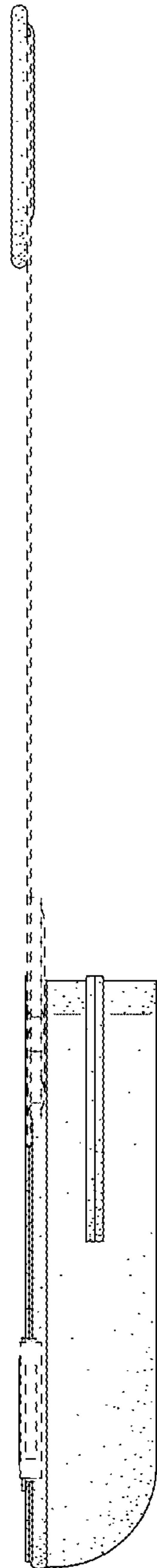


FIG. 4



FIG. 5

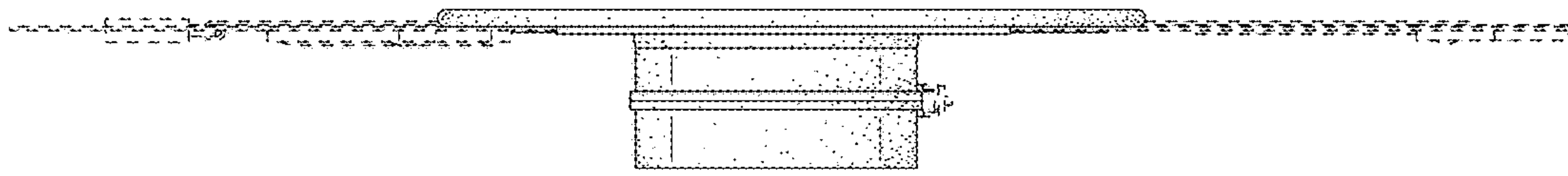


FIG. 6

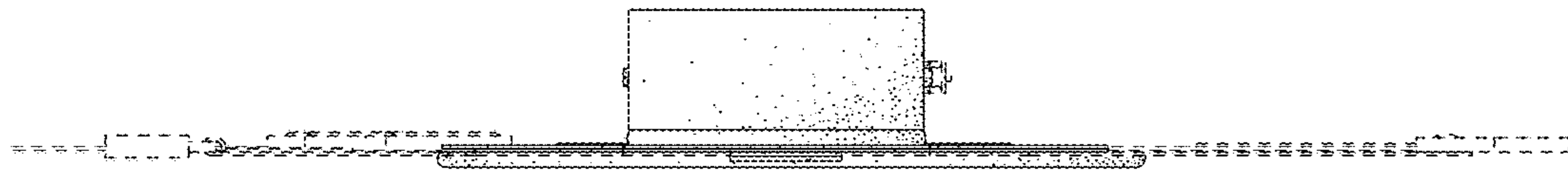


FIG. 7



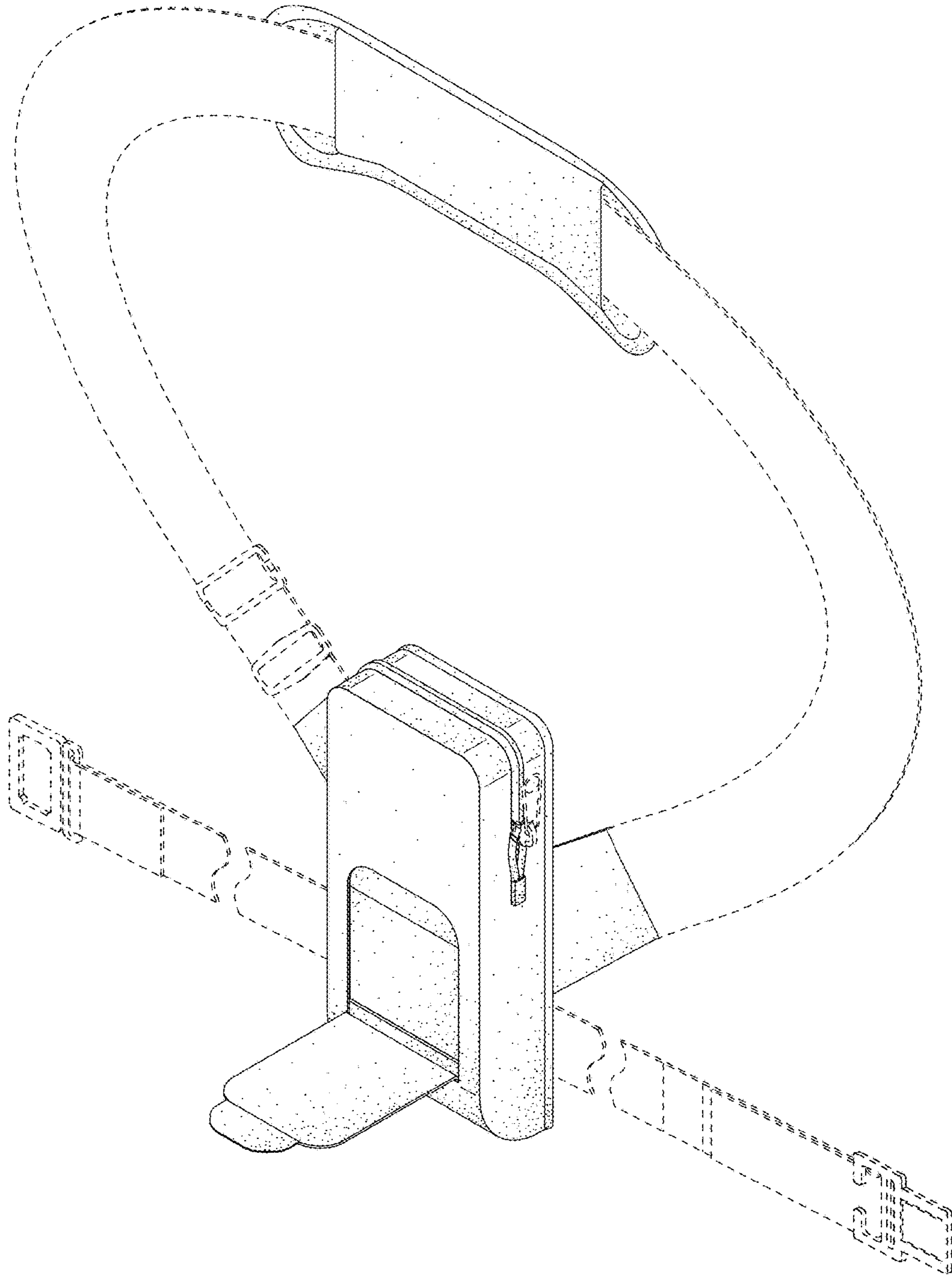


FIG. 8