



US00D796165S

(12) **United States Design Patent** (10) **Patent No.:** **US D796,165 S**  
**Helwig** (45) **Date of Patent:** **\*\* Sep. 5, 2017**

(54) **SANDAL WITH INTERCHANGEABLE STRAPS**

(71) Applicant: **Eric Helwig**, Lafayette, GA (US)

(72) Inventor: **Eric Helwig**, Lafayette, GA (US)

(\*\*) Term: **15 Years**

(21) Appl. No.: **29/567,321**

(22) Filed: **Jun. 7, 2016**

(51) **LOC (10) Cl.** ..... **02-04**

(52) **U.S. Cl.**  
USPC ..... **D2/916**

(58) **Field of Classification Search**  
USPC ..... D2/896-900, 903, 916-925, 943, 946,  
D2/969, 971, 976; 36/7.3, 7.5, 7.6, 11.5,  
36/58.5  
CPC .. A43B 3/12; A43B 7/142; A43B 3/26; A43B  
3/128

See application file for complete search history.

(56) **References Cited**

**U.S. PATENT DOCUMENTS**

|           |     |         |           |       |              |
|-----------|-----|---------|-----------|-------|--------------|
| 2,590,648 | A * | 3/1952  | Pitz      | ..... | A43B 3/128   |
|           |     |         |           |       | 36/11.5      |
| D244,886  | S * | 7/1977  | Perser    | ..... | D2/914       |
| 4,793,075 | A * | 12/1988 | Thatcher  | ..... | A43C 11/1493 |
|           |     |         |           |       | 12/142 S     |
| 5,205,054 | A * | 4/1993  | York, Jr. | ..... | A43B 3/26    |
|           |     |         |           |       | 36/11.5      |
| 5,228,216 | A * | 7/1993  | Sargeant  | ..... | A43B 3/126   |
|           |     |         |           |       | 36/11.5      |
| D360,973  | S * | 8/1995  | Bailey    | ..... | D2/916       |

|           |     |         |         |       |           |
|-----------|-----|---------|---------|-------|-----------|
| 5,438,767 | A * | 8/1995  | Stein   | ..... | A43B 3/12 |
|           |     |         |         |       | 36/11.5   |
| D368,798  | S * | 4/1996  | Tong    | ..... | D2/916    |
| D417,942  | S * | 12/1999 | Aguerre | ..... | D2/916    |
| D435,335  | S * | 12/2000 | Dean    | ..... | D2/916    |
| D461,042  | S * | 8/2002  | Urie    | ..... | D2/916    |
| D736,502  | S * | 8/2015  | Helwig  | ..... | D2/916    |

\* cited by examiner

*Primary Examiner* — Holly Baynham

*Assistant Examiner* — Rashida C Walshon

(74) *Attorney, Agent, or Firm* — Lewis Brisbois Bisgaard & Smith LLP

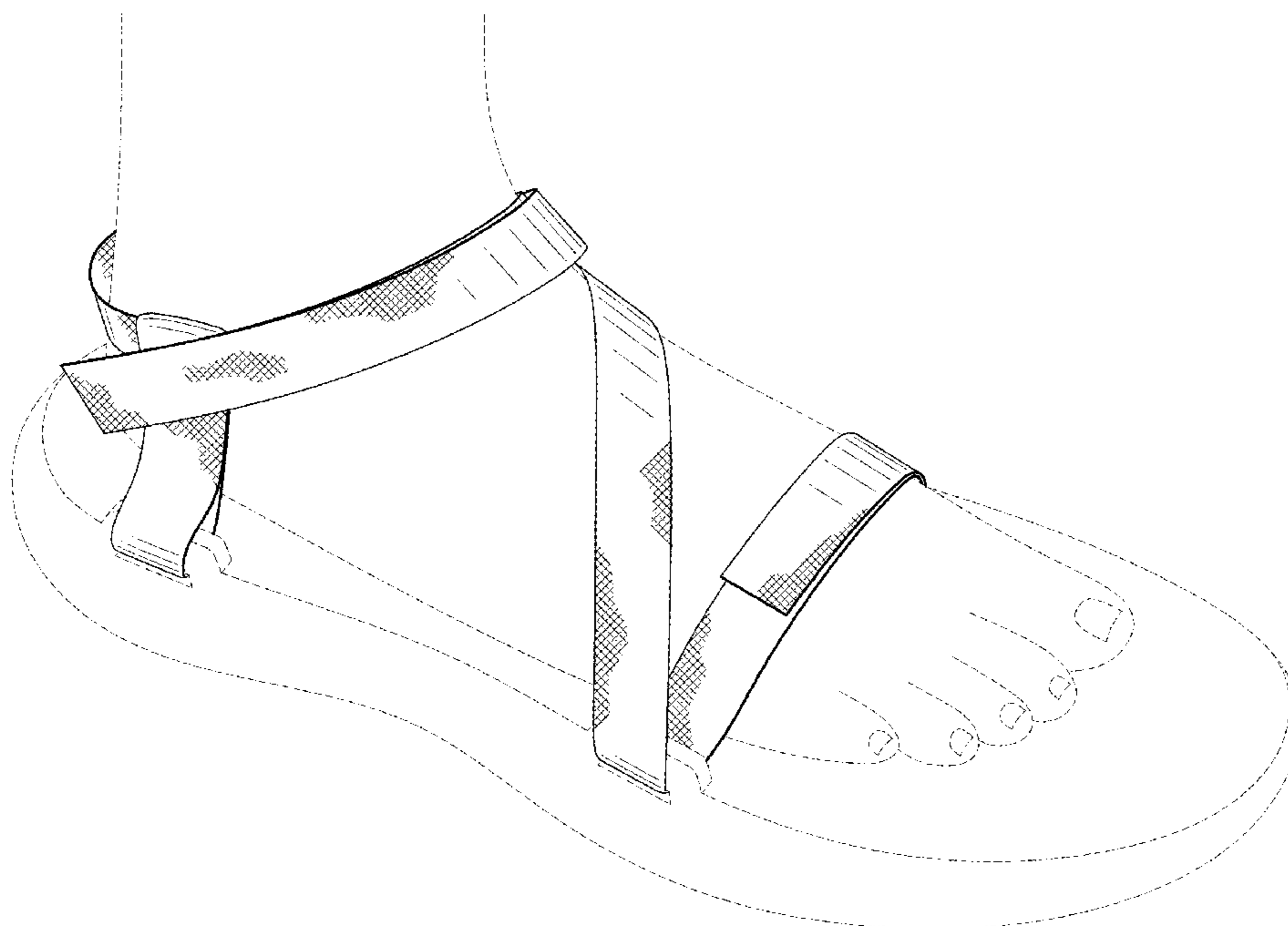
(57) **CLAIM**

The ornamental design for a sandal with interchangeable straps, as shown and described.

**DESCRIPTION**

FIG. 1 is a top perspective view of the sandal with interchangeable straps, showing my new design; FIG. 2 is a front elevation view thereof; FIG. 3 is a rear elevation view thereof; FIG. 4 is a right side elevation view thereof; FIG. 5 is a left side elevation view thereof; FIG. 6 is a top plan view thereof; and, FIG. 7 is a bottom plan view thereof. The broken lines shown are included for the purpose of illustrating the unclaimed portions of the article and form no part of the claim.

**1 Claim, 6 Drawing Sheets**



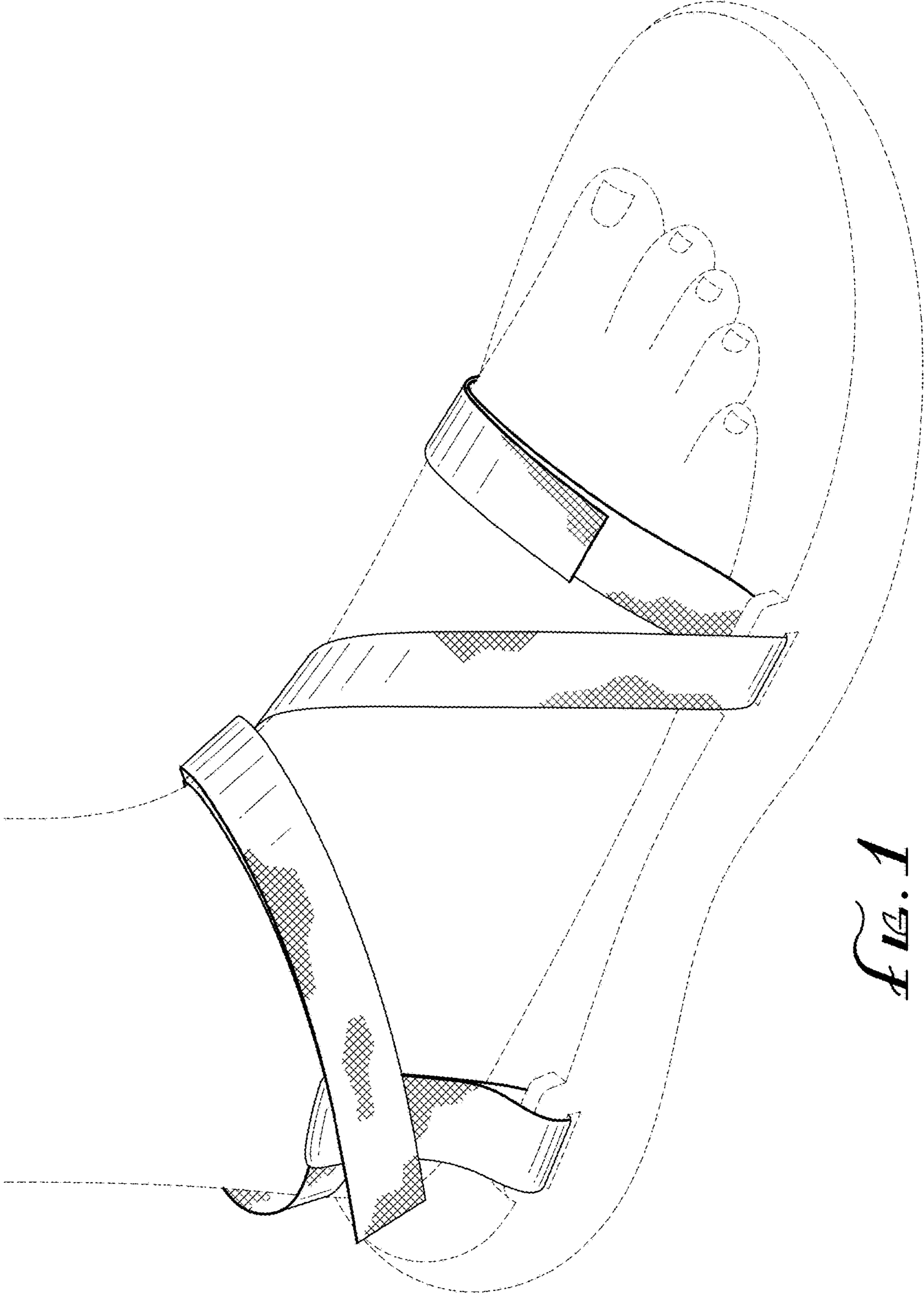


FIG. 1

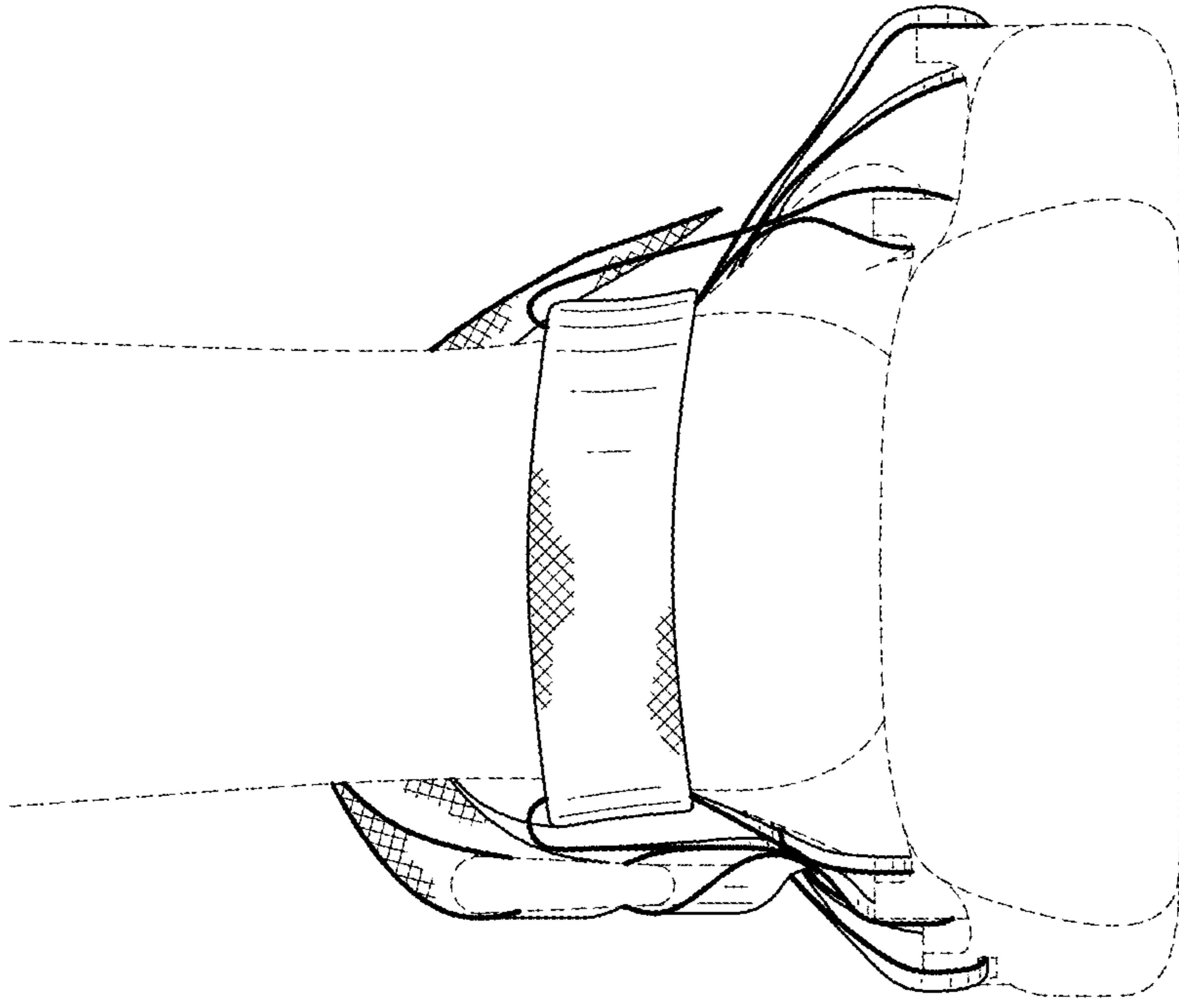


FIG. 3

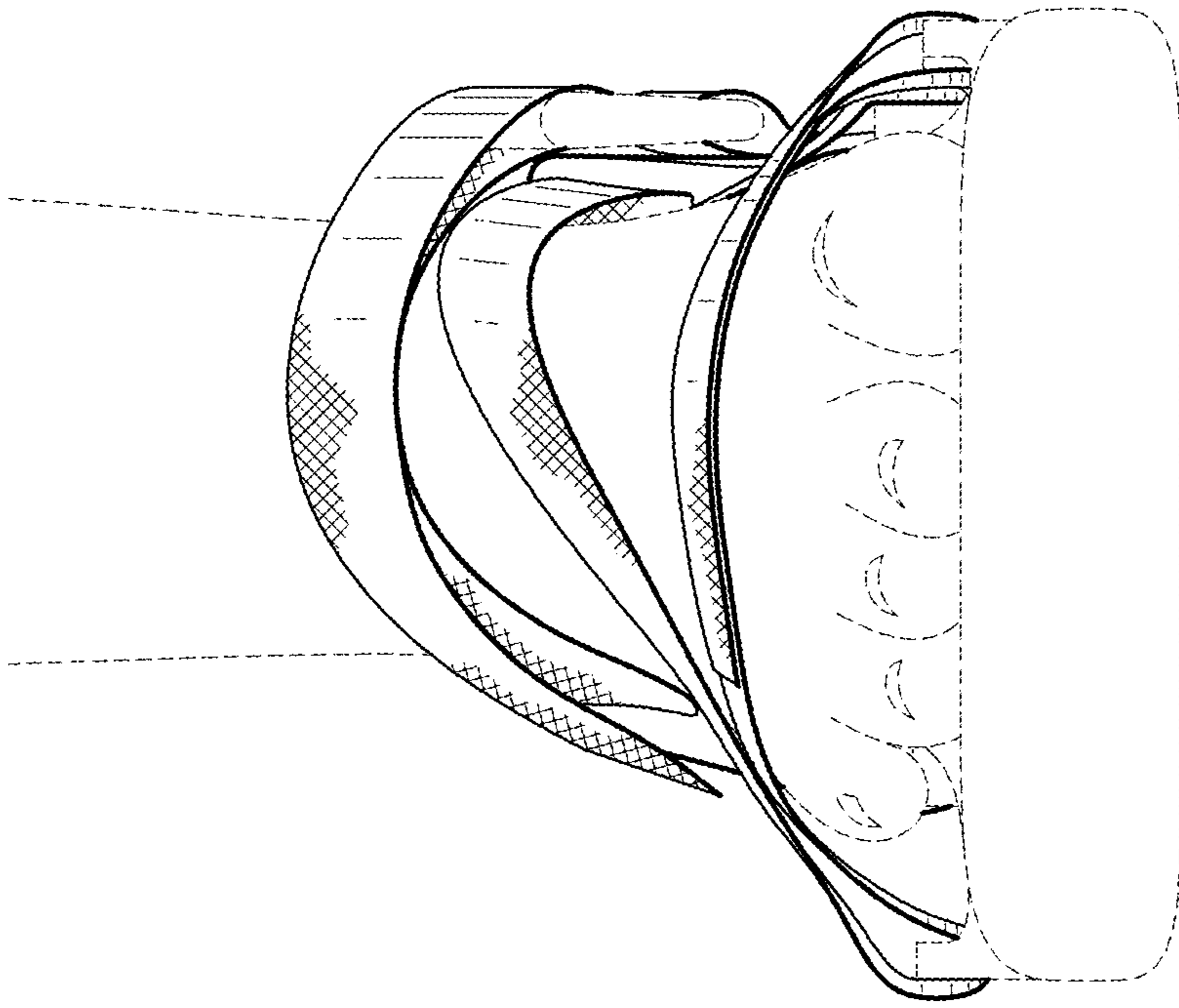
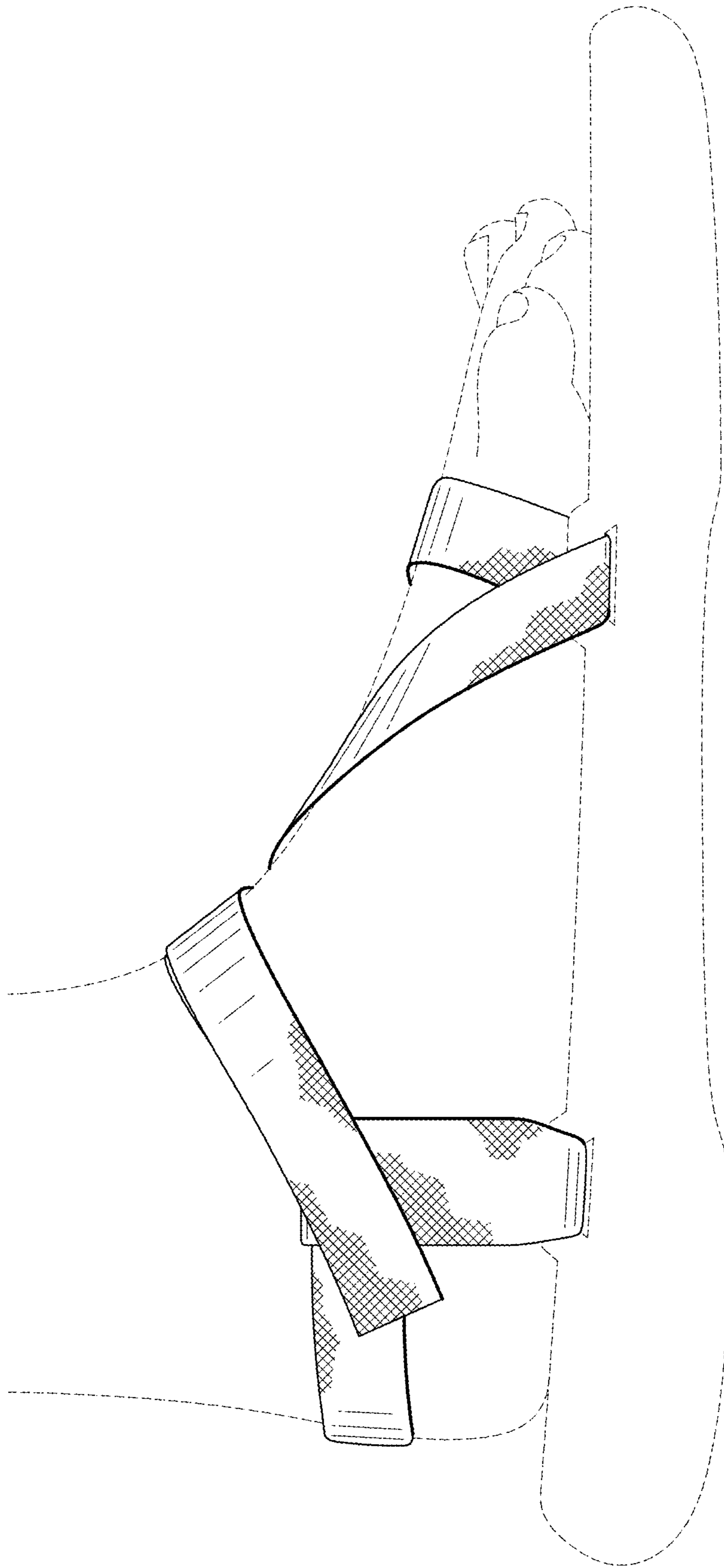


FIG. 2



*FIG. A*

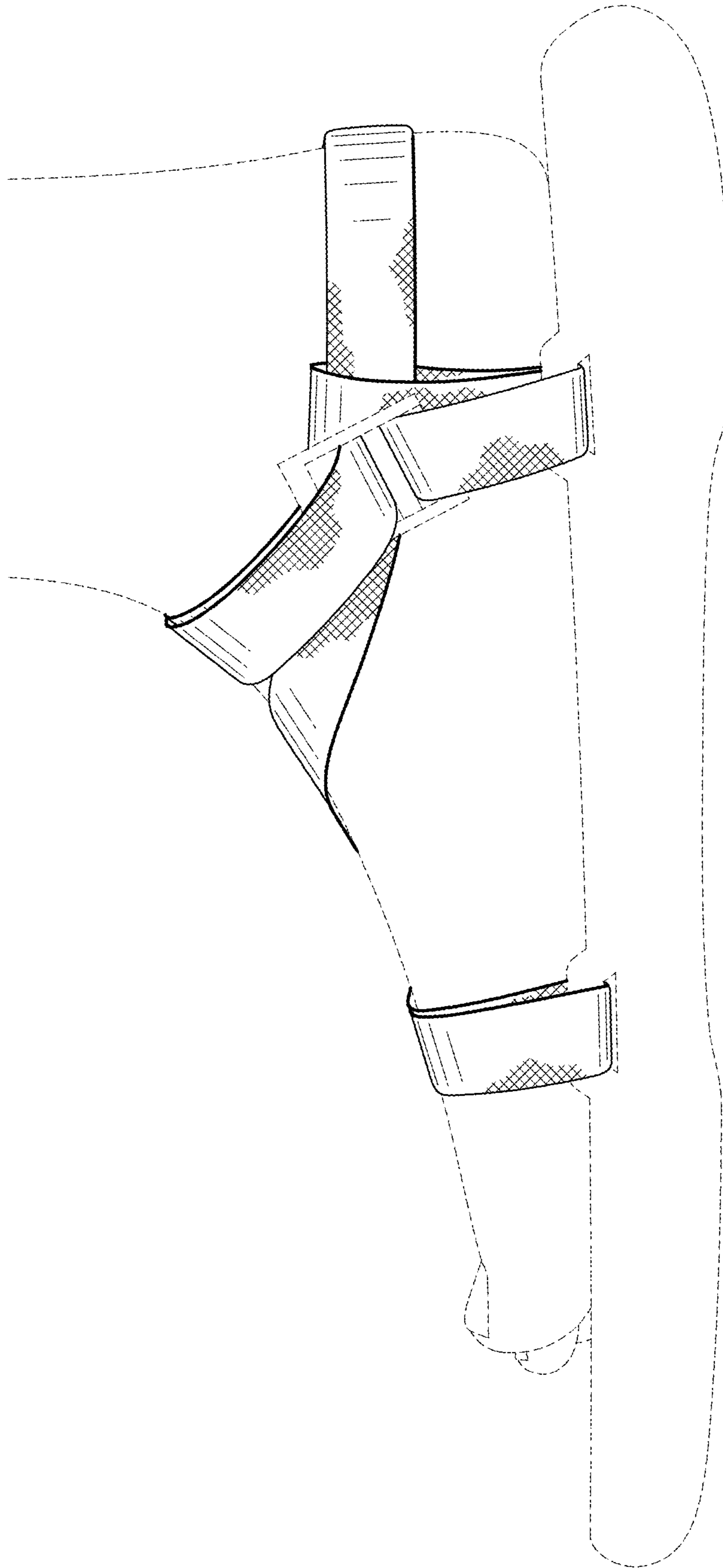


FIG. 5

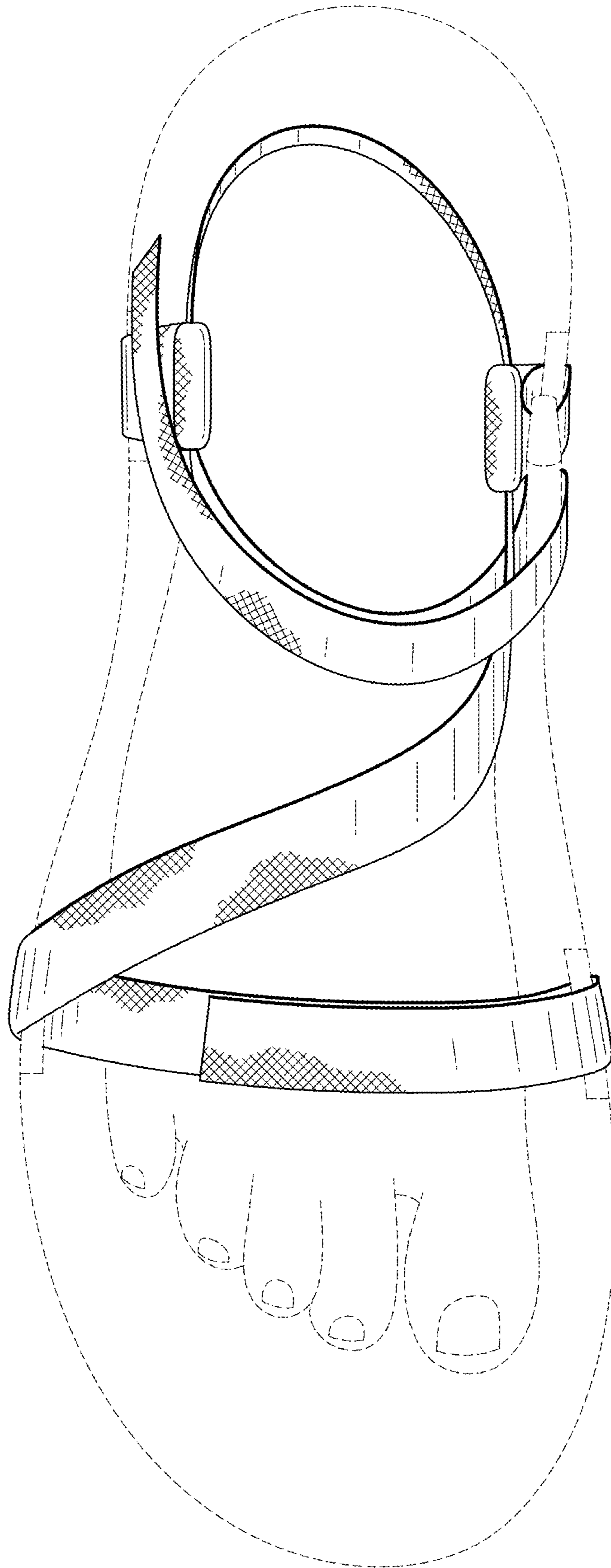


FIG. 0

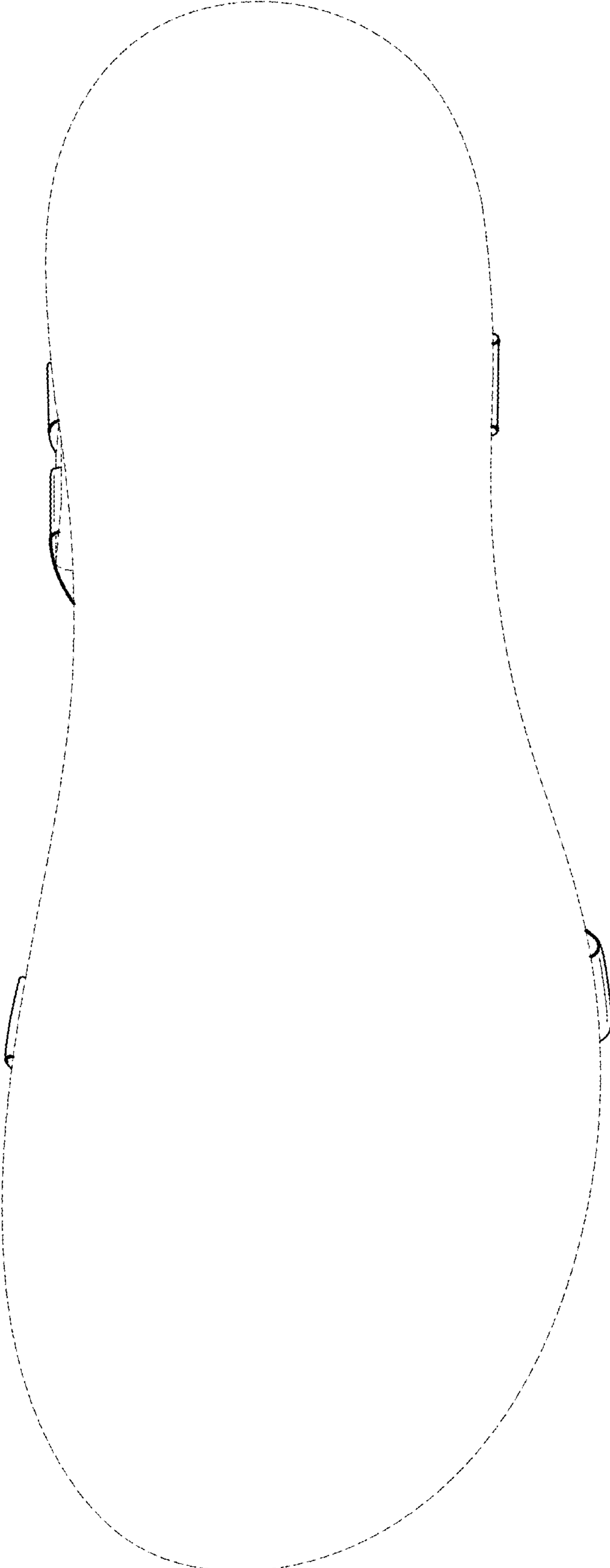


FIG. 7