

US00D796159S

(12) **United States Design Patent**  
**Hester**

(10) **Patent No.:** **US D796,159 S**

(45) **Date of Patent:** **\*\* \*Sep. 5, 2017**

(54) **VISOR COVER FOR HEADWEAR CAP**

(71) Applicant: **Yvonne Hester**, Lawrence, NY (US)

(72) Inventor: **Yvonne Hester**, Lawrence, NY (US)

(\*) Notice: This patent is subject to a terminal disclaimer.

(\*\*) Term: **15 Years**

(21) Appl. No.: **29/505,950**

(22) Filed: **Apr. 27, 2016**

(51) **LOC (10) Cl.** ..... **02-03**

(52) **U.S. Cl.**  
USPC ..... **D2/893; D2/876**

(58) **Field of Classification Search**  
USPC ..... D2/865, 866, 871, 872, 876, 878, 882,  
D2/884, 891, 892, 893; D29/109, 122  
CPC .. A42B 1/00; A42B 1/002; A42B 1/02; A42B  
1/062; A42B 1/063; A42B 1/064; A42B  
1/18; A42B 1/20; A42B 1/201; A42B  
1/205; A42B 1/206; A42B 1/22; A42C  
5/00

See application file for complete search history.

(56) **References Cited**

**U.S. PATENT DOCUMENTS**

859,736 A	7/1907	Brown	
1,214,128 A	1/1917	Brooks	
1,506,664 A *	8/1924	Pickard	..... A61F 9/045 2/12
1,598,314 A *	8/1926	Rosenberg	..... A42B 1/22 2/10
1,716,537 A	6/1929	Acocella	
2,019,028 A *	10/1935	Sternberg	..... A61F 9/045 2/12
2,181,106 A	11/1939	Timmons	
2,424,414 A	7/1947	Oppeneimer	
3,266,056 A *	8/1966	De Villers	..... A42B 1/208 2/12

4,096,589 A *	6/1978	Goldstein	..... A61F 9/045 2/12
D263,092 S *	2/1982	Fay	..... D2/876
D267,752 S *	2/1983	Fairbrother	..... D14/168
4,547,903 A *	10/1985	Brown	..... A41D 20/00 2/12
D282,406 S *	2/1986	Levy	..... D2/876
D285,021 S *	8/1986	Chandler	..... D2/876
D286,221 S *	10/1986	Murray, II	..... D2/876
D288,025 S *	2/1987	Laughlin	..... D2/871

(Continued)

*Primary Examiner* — Karen E. Eldridge Powers

*Assistant Examiner* — Jasmine Mlinarcik

(57) **CLAIM**

I claim the ornamental design for a visor cover for headwear cap, as shown and described.

**DESCRIPTION**

FIG. 1 Is a top plan view of a visor cover for headwear cap  
FIG. 2 Is a left side elevation view of the visor cover for headwear cap

FIG. 3 Is a right side elevation view of the visor cover for headwear cap

FIG. 4 Is a front elevation view of the visor cover for headwear cap

FIG. 5 Is a rear elevation view of the visor cover for headwear cap

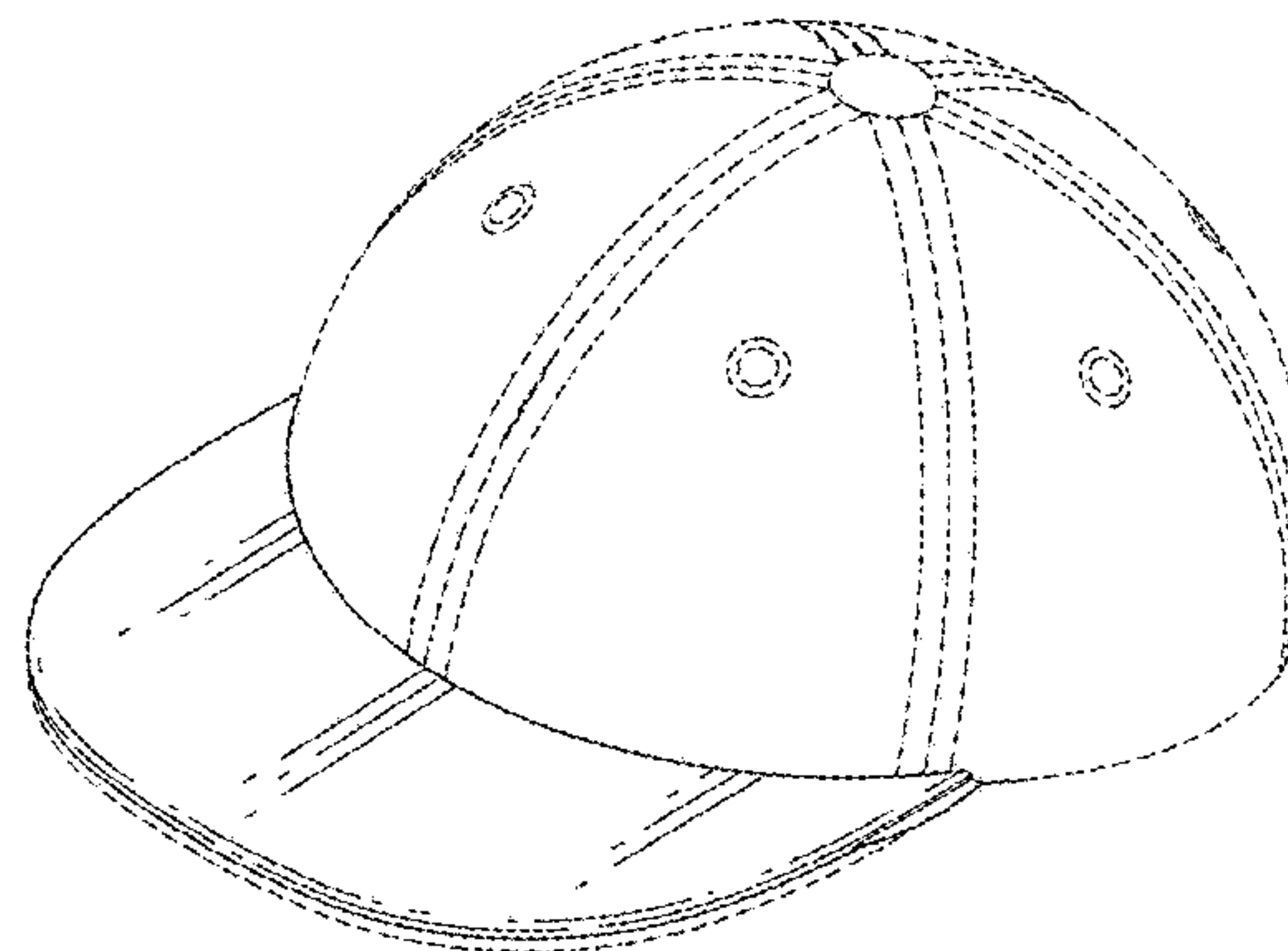
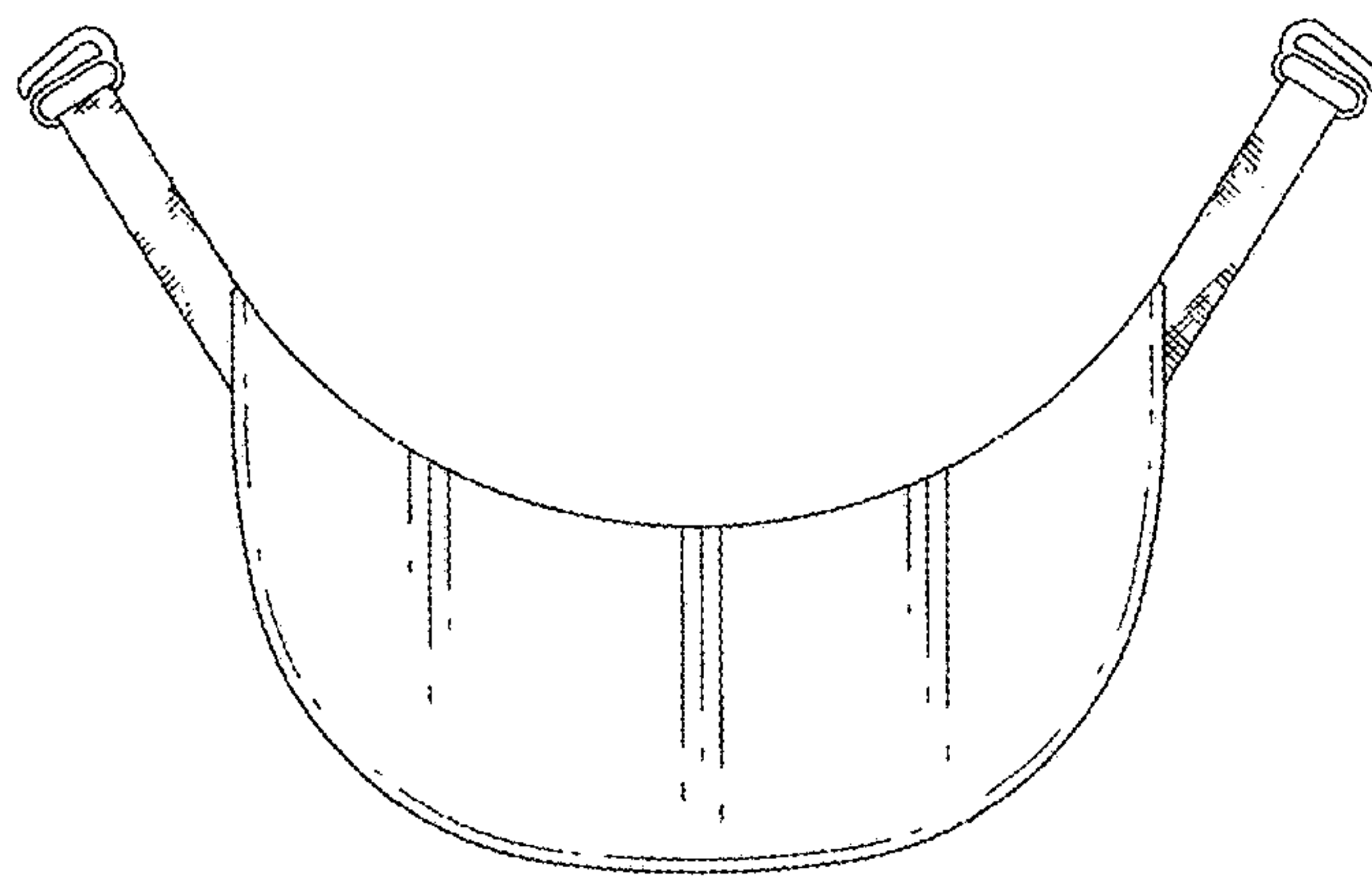
FIG. 6 Is a bottom plan view of the visor cover for headwear cap

FIG. 7 Is a perspective view of the visor cover for headwear cap; and,

FIG. 8 Is a perspective view of the visor cover for headwear cap.

The ball cap illustrated by broken lines in FIG. 8 represents environmental structure, and illustrates how the claimed design may appear when used in conjunction with another piece of headwear, but forms no part of the claimed design.

**1 Claim, 5 Drawing Sheets**





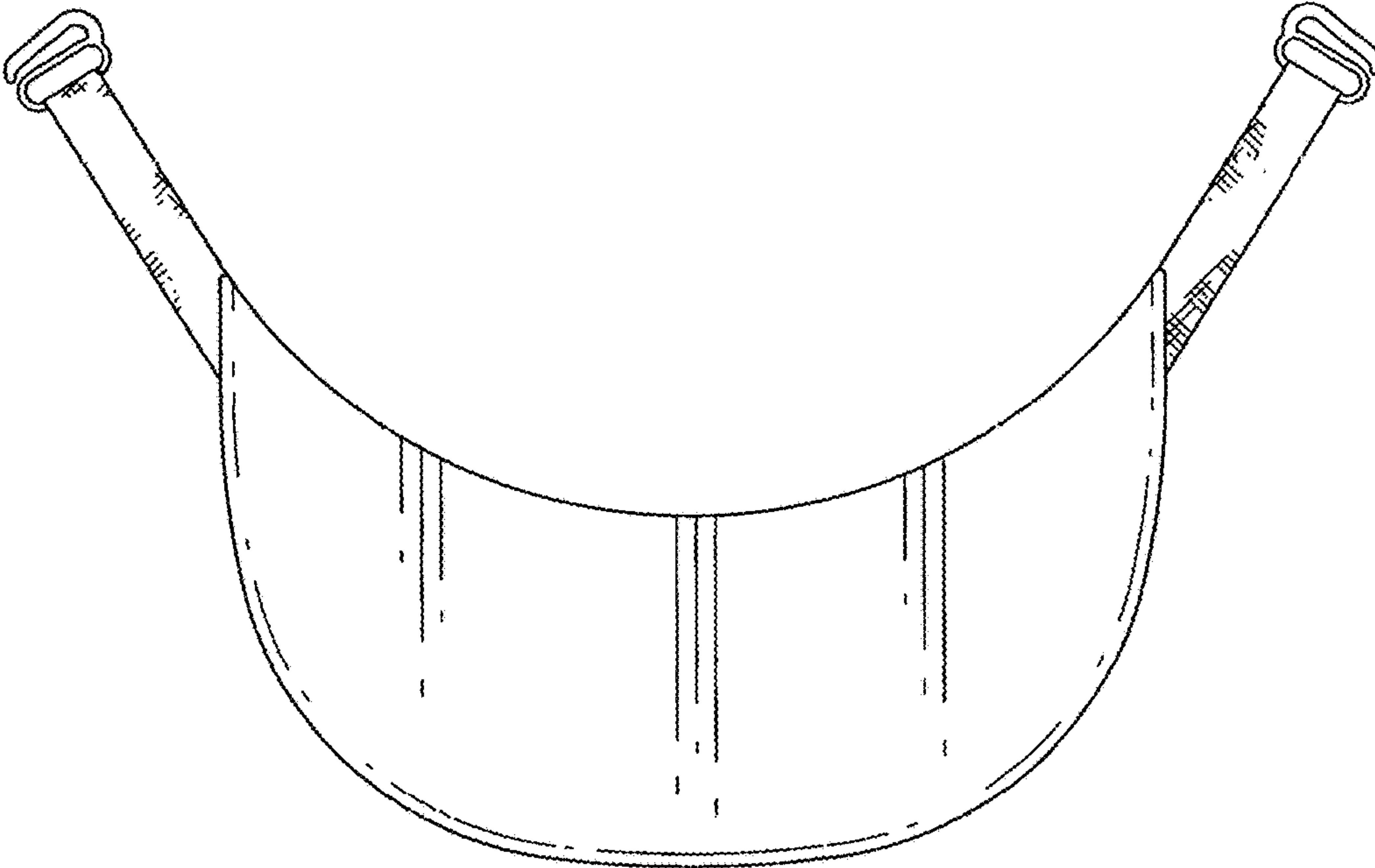
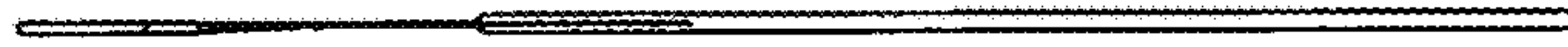
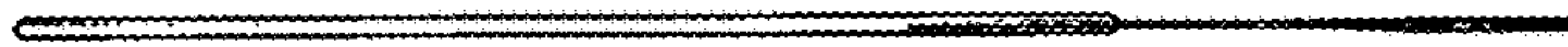


FIG. 1



*FIG. 2*



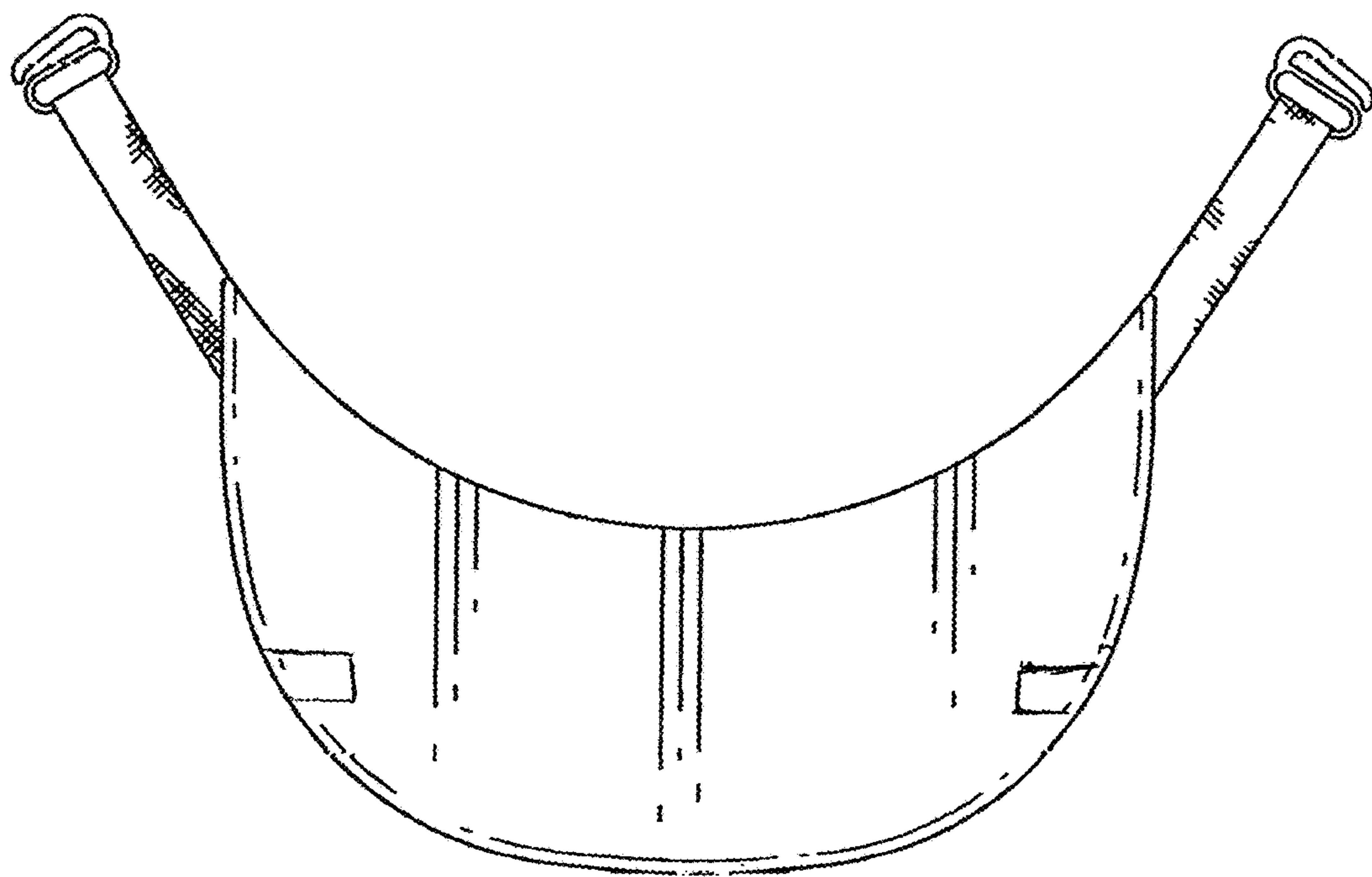
*FIG. 3*



*FIG. 4*



*FIG. 5*



*FIG. 6*

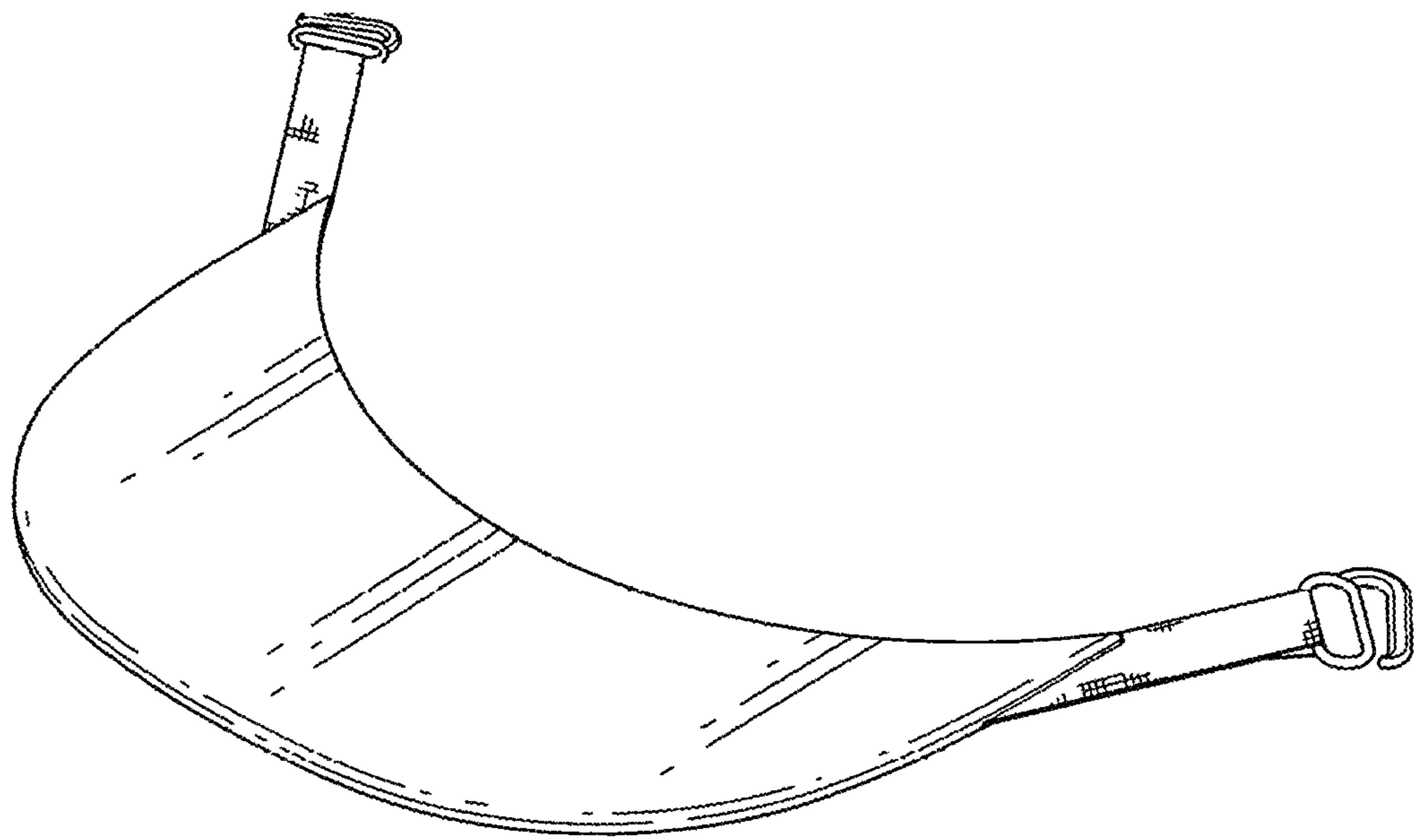


FIG. 7



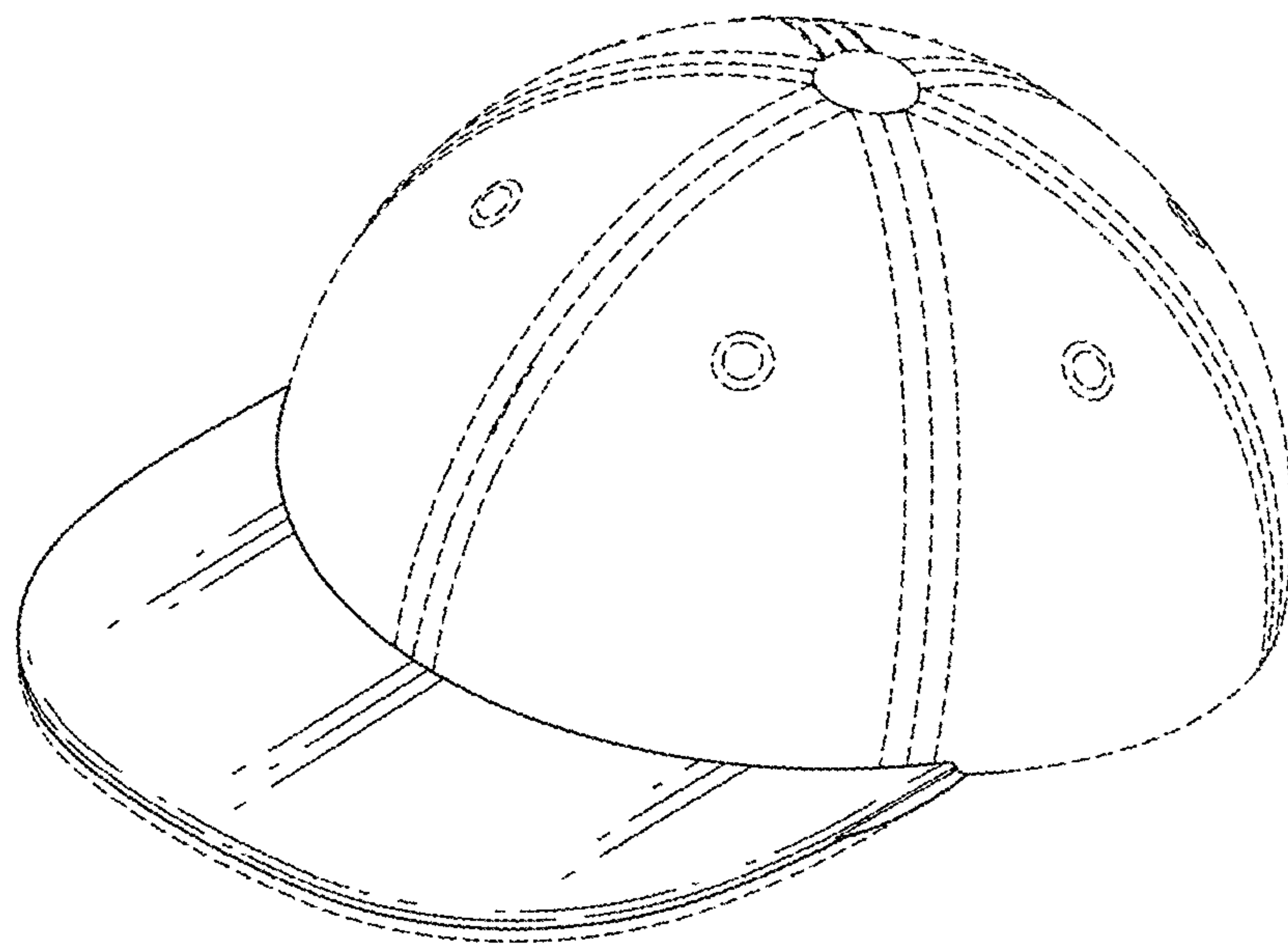


FIG. 8