



US00D796156S

(12) **United States Design Patent** (10) **Patent No.:** **US D796,156 S**  
**Schneider** (45) **Date of Patent:** **\*\* Sep. 5, 2017**

- (54) **GARMENT**
- (71) Applicant: **NIKE, Inc.**, Beaverton, OR (US)
- (72) Inventor: **Johanna Schneider**, Beaverton, OR (US)
- (73) Assignee: **NIKE, Inc.**, Beaverton, OR (US)
- (\*\*) Term: **15 Years**
- (21) Appl. No.: **29/564,876**
- (22) Filed: **May 16, 2016**
- (51) **LOC (10) Cl.** ..... **02-02**
- (52) **U.S. Cl.**  
USPC ..... **D2/857**; D2/728; D2/731
- (58) **Field of Classification Search**  
USPC ..... D2/716, 731, 738, 771, 786, 791, 812,  
D2/820, 839, 847, 857, 863  
CPC ..... A41D 1/08; A41D 1/06; A41D 2600/104  
See application file for complete search history.

(56) **References Cited**

U.S. PATENT DOCUMENTS

1,885,527	A *	11/1932	Luft	.....	A41D 17/00
					2/227
2,087,123	A *	7/1937	Serak	.....	A41D 27/20
					2/253
D417,333	S *	12/1999	Re	.....	D2/700
D482,513	S *	11/2003	Armani	.....	D2/742
D513,660	S *	1/2006	Greene	.....	D2/742
D593,283	S *	6/2009	Lorenzi	.....	D2/857
D597,281	S *	8/2009	Young	.....	D2/738
D630,415	S *	1/2011	Nunn	.....	D2/742
D639,026	S *	6/2011	Robinson	.....	D2/857
D651,379	S *	1/2012	Halpern	.....	D2/742
D702,921	S *	4/2014	Holmes	.....	D2/742
D739,643	S *	9/2015	Borovicka	.....	D2/738
D746,544	S *	1/2016	Curran	.....	D2/738
D746,553	S *	1/2016	Emrich	.....	D2/857
D754,945	S *	5/2016	Borovicka	.....	D2/731

D770,132 S \* 11/2016 Burke ..... D2/731  
D770,133 S \* 11/2016 Burke ..... D2/731  
D778,536 S \* 2/2017 Adrovic ..... D2/731

(Continued)

*Primary Examiner* — Robin V Webster

*Assistant Examiner* — James Thorn, Sr.

(74) *Attorney, Agent, or Firm* — Shook, Hardy & Bacon L.L.P.

(57) **CLAIM**

The ornamental design for a garment, as shown and described.

**DESCRIPTION**

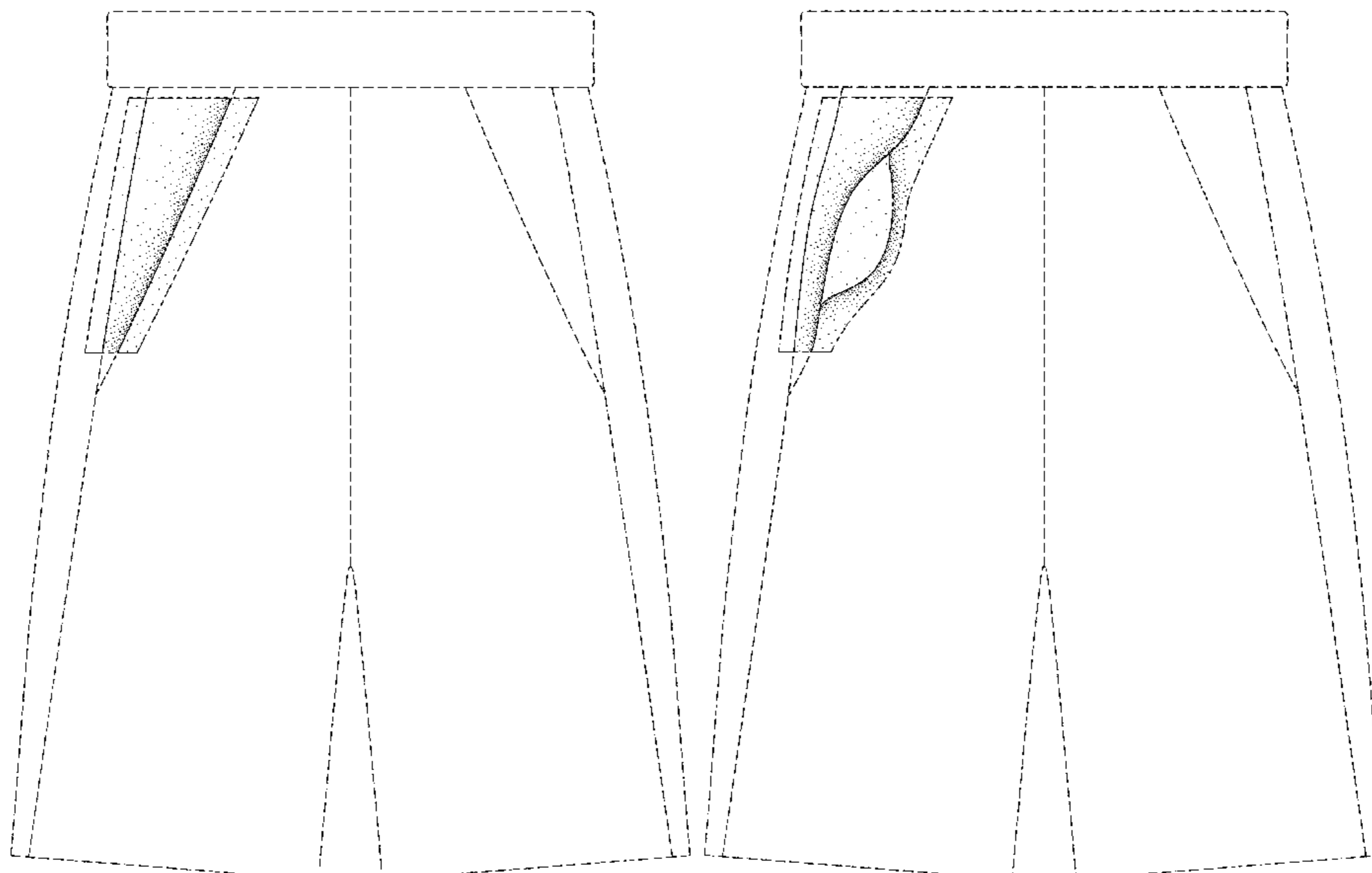
FIG. 1 is a front view of a garment in a laid-flat configuration;  
FIG. 2 is a front view of the garment of FIG. 1, in a second configuration in which the pocket is revealed;  
FIG. 3 is a front, right, lower perspective view of FIG. 1;  
FIG. 4 is a front, right, lower perspective view of FIG. 2;  
FIG. 5 is a front view of a second garment that is in a laid-flat configuration, showing the design of FIG. 1; and,  
FIG. 6 is a front view of a third garment that is in a laid-flat configuration, showing the design of FIG. 1.

The evenly spaced broken lines shown in the drawings are directed to environment, are for informational purposes only, and form no part of the claimed design

The long and short broken lines are boundary lines, which define bounds of the claimed design. These boundaries do not exist in reality in the article embodying the design. It is understood that the claimed design extends to these boundaries but does not include the boundaries.

The surface shading on the claimed portion is provided only to indicate the character and/or any contour or curvature of the surfaces. It does not indicate color, texture, markings that actually exist thereon, indicia, graphic representations, surface treatment, or any other ornamentation applied to the article.

**1 Claim, 6 Drawing Sheets**



(56)

**References Cited**

U.S. PATENT DOCUMENTS

2009/0178174 A1\* 7/2009 Cash, Jr. .... A41D 1/08  
2/69  
2017/0027252 A1\* 2/2017 Inzer ..... A41D 15/00

\* cited by examiner

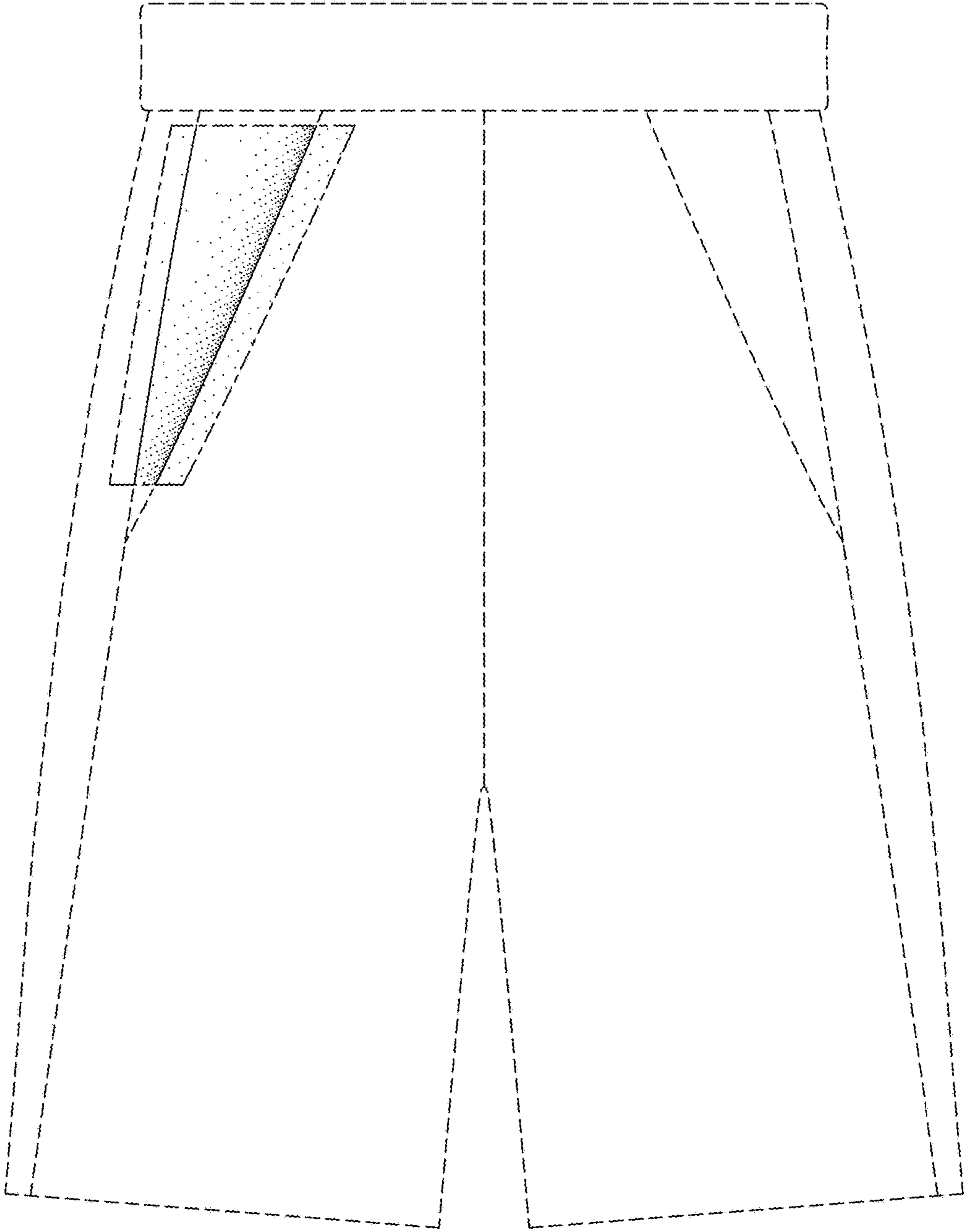


FIG. 1

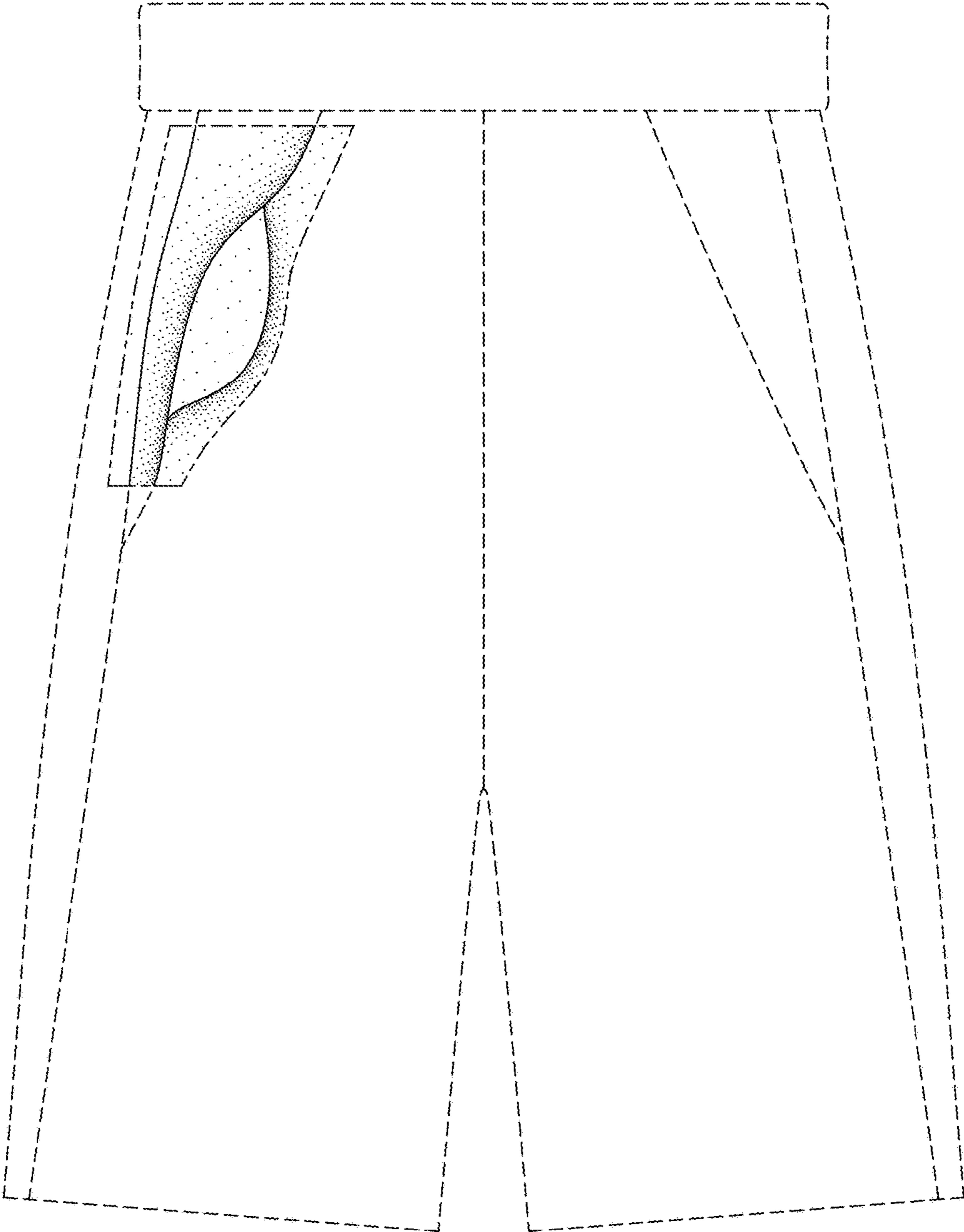


FIG. 2

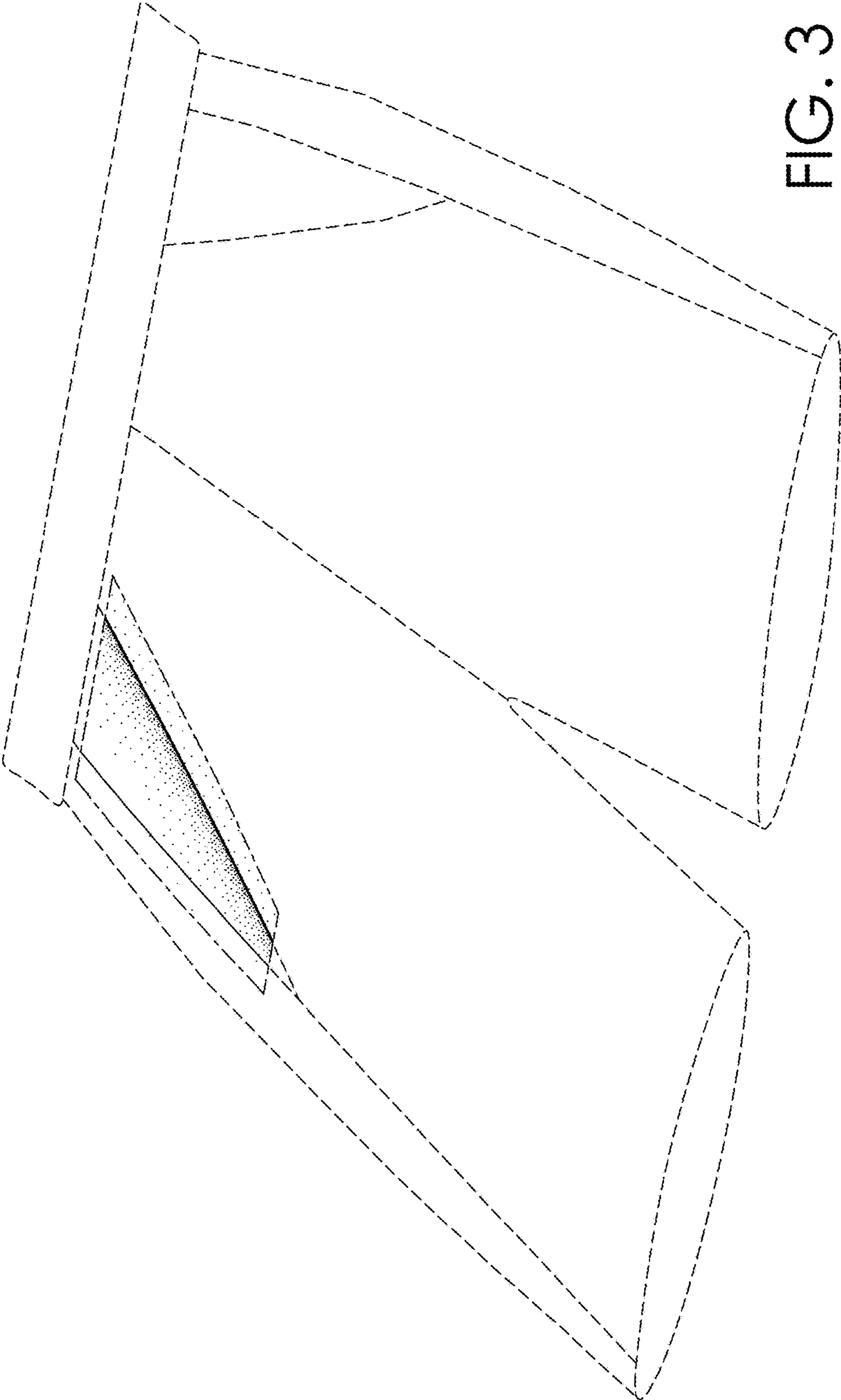


FIG. 3

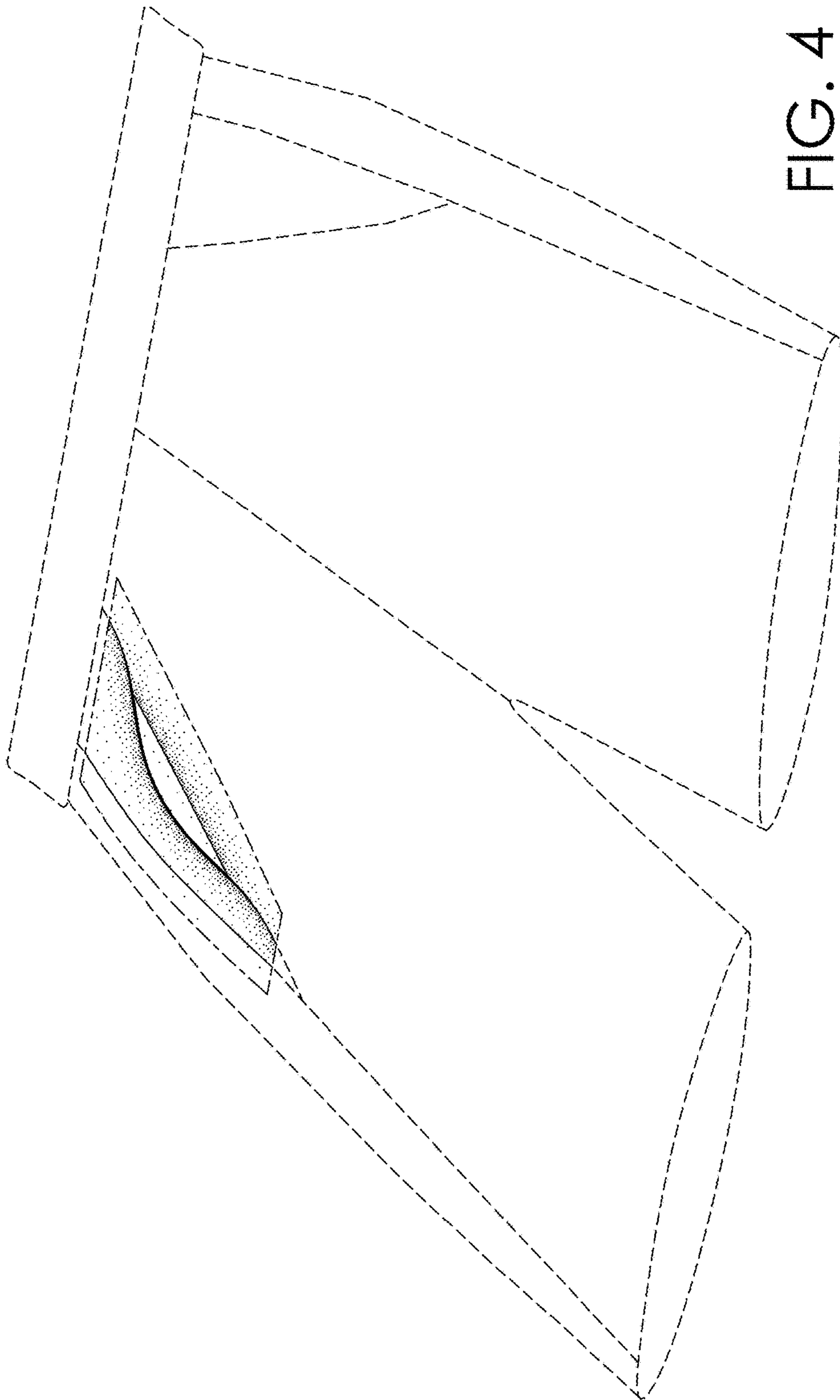


FIG. 4

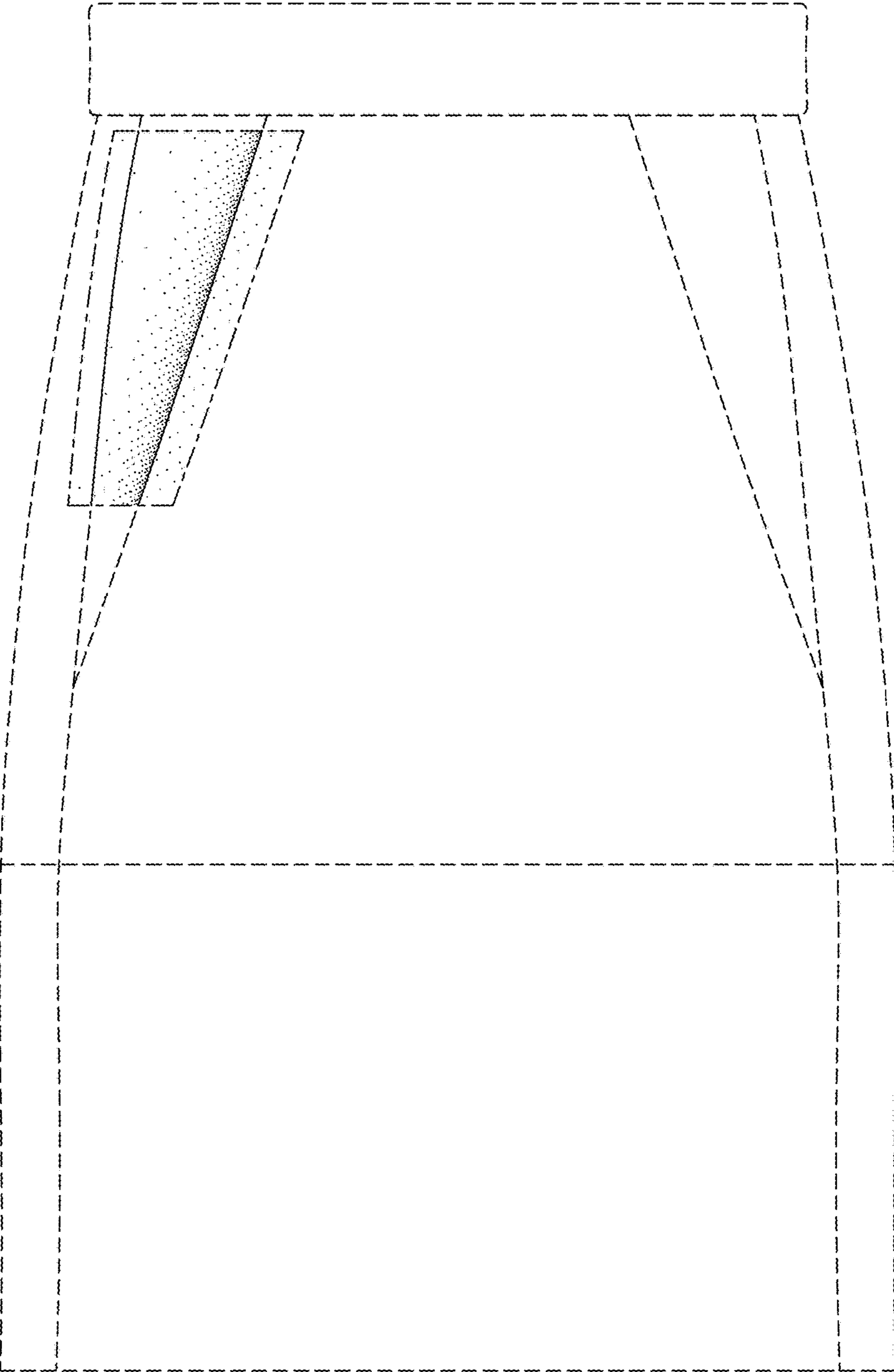


FIG. 5

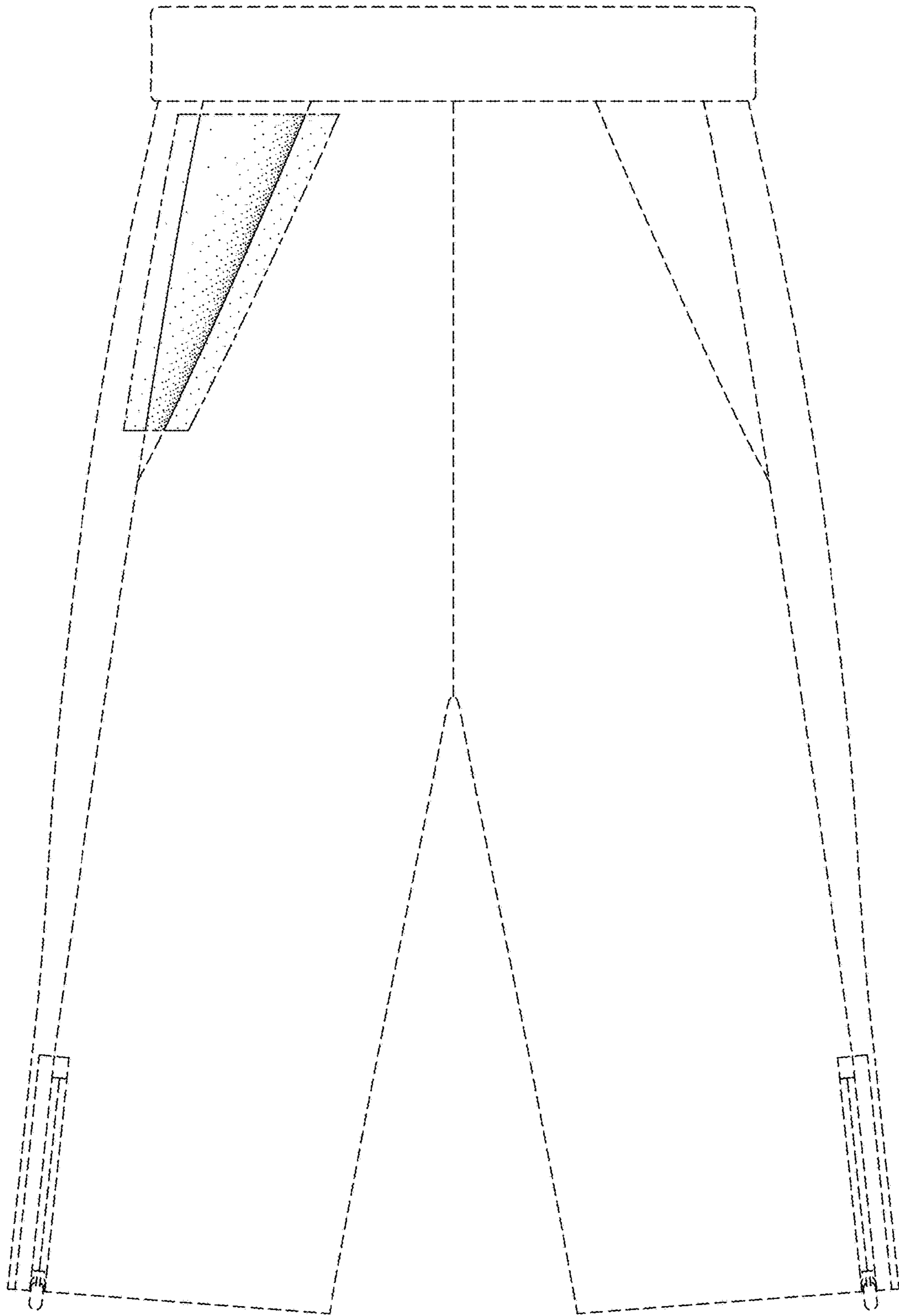


FIG. 6



UNITED STATES PATENT AND TRADEMARK OFFICE  
**CERTIFICATE OF CORRECTION**

PATENT NO. : D796,156 S  
APPLICATION NO. : 29/564876  
DATED : September 5, 2017  
INVENTOR(S) : Johanna Schneider

Page 1 of 1

It is certified that error appears in the above-identified patent and that said Letters Patent is hereby corrected as shown below:

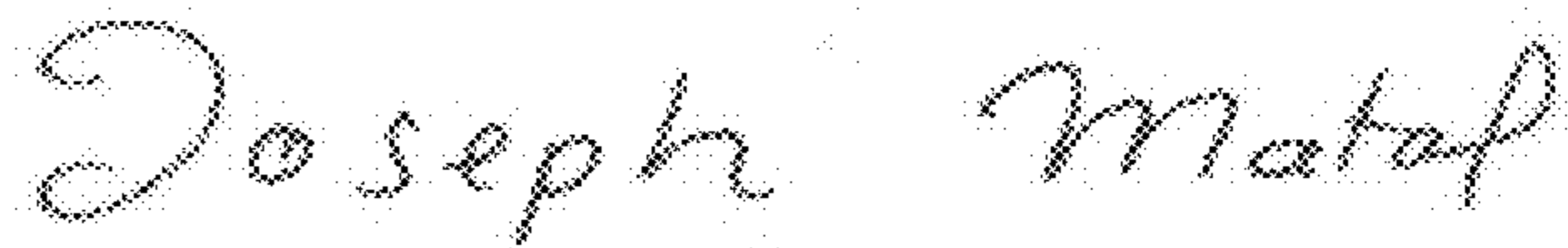
On the Title Page

In the Description:

Line 8: "FIG.1; and," should read --FIG. 1; and--

Line 13: "claimed design" should read --claimed design.--

Signed and Sealed this  
Thirty-first Day of October, 2017



Joseph Matal

*Performing the Functions and Duties of the  
Under Secretary of Commerce for Intellectual Property and  
Director of the United States Patent and Trademark Office*