



US00D796149S

(12) **United States Design Patent**
Takaguchi

(10) **Patent No.:** **US D796,149 S**

(45) **Date of Patent:** **** Aug. 29, 2017**

(54) **FORK FOR FORKLIFT**

6,471,465 B2 * 10/2002 Albertyn B66F 9/12
414/607

(71) Applicant: **KISUIKO International Co., Ltd.**,
Tokyo (JP)

D551,423 S * 9/2007 Kodama D34/34

D565,825 S * 4/2008 Shibata D34/34

D579,624 S * 10/2008 McVicar D34/34

(72) Inventor: **Kenichiro Takaguchi**, Tokyo (JP)

D725,863 S * 3/2015 Kazaoka D34/34

D749,289 S * 2/2016 Richards D34/34

(73) Assignee: **KISUIKO International Co., Ltd.**,
Tokyo (JP)

D781,522 S * 3/2017 Richards D34/34

D782,146 S * 3/2017 Richards D34/34

(**) Term: **15 Years**

FOREIGN PATENT DOCUMENTS

(21) Appl. No.: **29/557,566**

EM 000843081-0001 1/2008

JP 1470315 5/2013

KR 30-0502886 8/2008

(22) Filed: **Mar. 10, 2016**

* cited by examiner

(30) **Foreign Application Priority Data**

Primary Examiner — Cynthia Ramirez

Sep. 14, 2015 (EM) 002771659-0001

(74) *Attorney, Agent, or Firm* — Clark & Brody

(51) **LOC (10) Cl.** **12-05**

(57) **CLAIM**

(52) **U.S. Cl.**

The ornamental design for a fork for a forklift, as shown and described.

USPC **D34/35**

(58) **Field of Classification Search**

DESCRIPTION

USPC D34/34, 35; 414/607, 785; 187/237

CPC B66F 9/12; B66F 9/18; B66F 9/061; B66F

9/06; B66F 9/122; B66F 9/02; B66F

9/187; B66F 9/19; B66F 17/003; B66B

2203/29; B62B 2202/02

See application file for complete search history.

FIG. 1 is a front side perspective view of a fork for a forklift, showing my new design;

FIG. 2 is a front view thereof;

FIG. 3 is a rear view thereof;

FIG. 4 is a top view thereof;

FIG. 5 is a bottom view thereof;

FIG. 6 is right side view thereof; and,

FIG. 7 is a left side view thereof.

The dash-dot broken line shown in the figures is included to define the bounds of the claimed design and form no part thereof. The evenly spaced broken lines are included to illustrate portions of the fork for a forklift and form no part of the claimed design.

(56) **References Cited**

U.S. PATENT DOCUMENTS

4,290,729 A * 9/1981 Cary B66F 9/12

414/607

5,221,176 A * 6/1993 Allen B66F 9/12

414/607

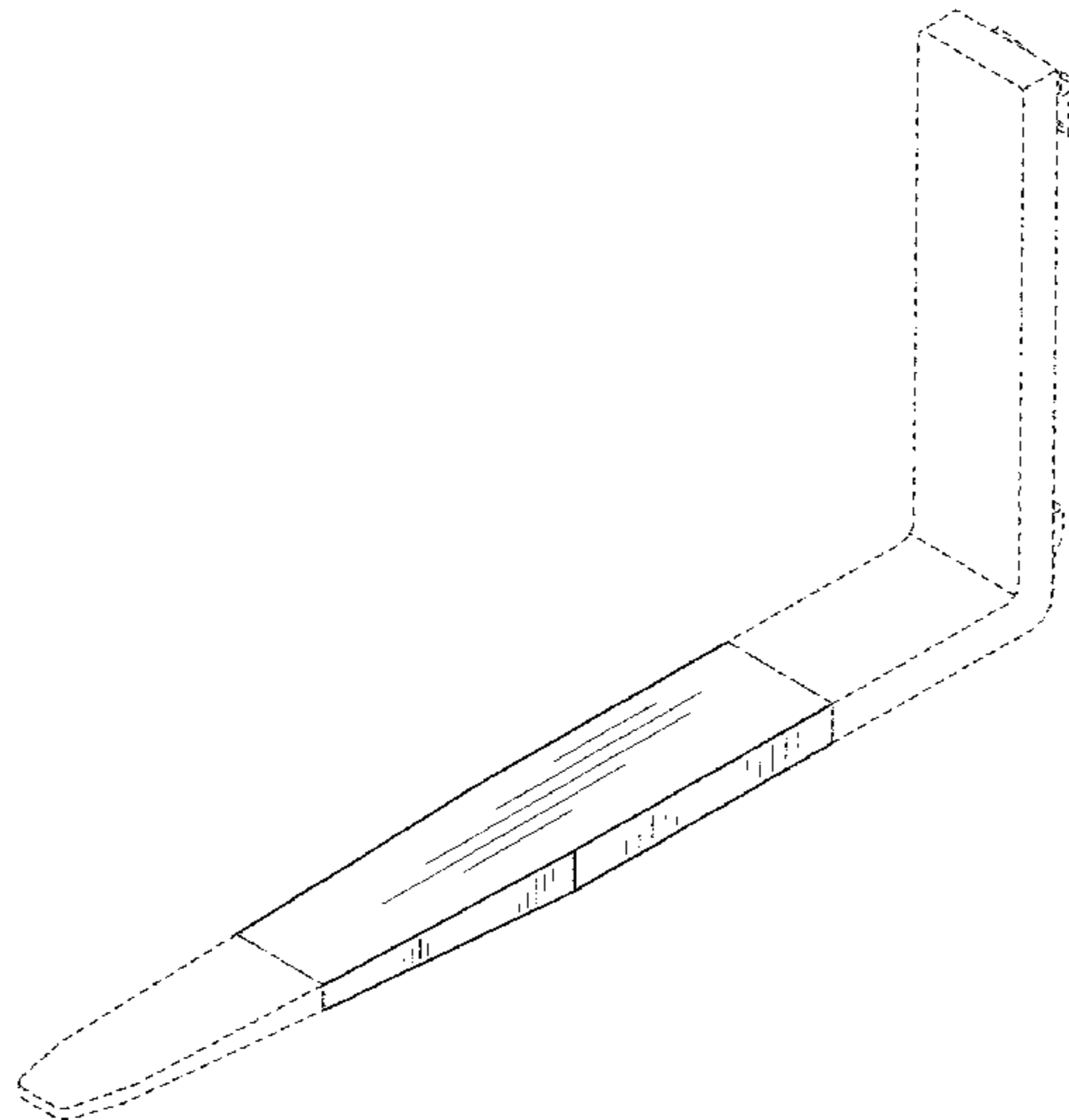
5,575,608 A * 11/1996 Yau B66F 9/12

414/607

D386,872 S * 11/1997 Rick D34/34

D393,134 S * 3/1998 Mariano D34/28

1 Claim, 4 Drawing Sheets



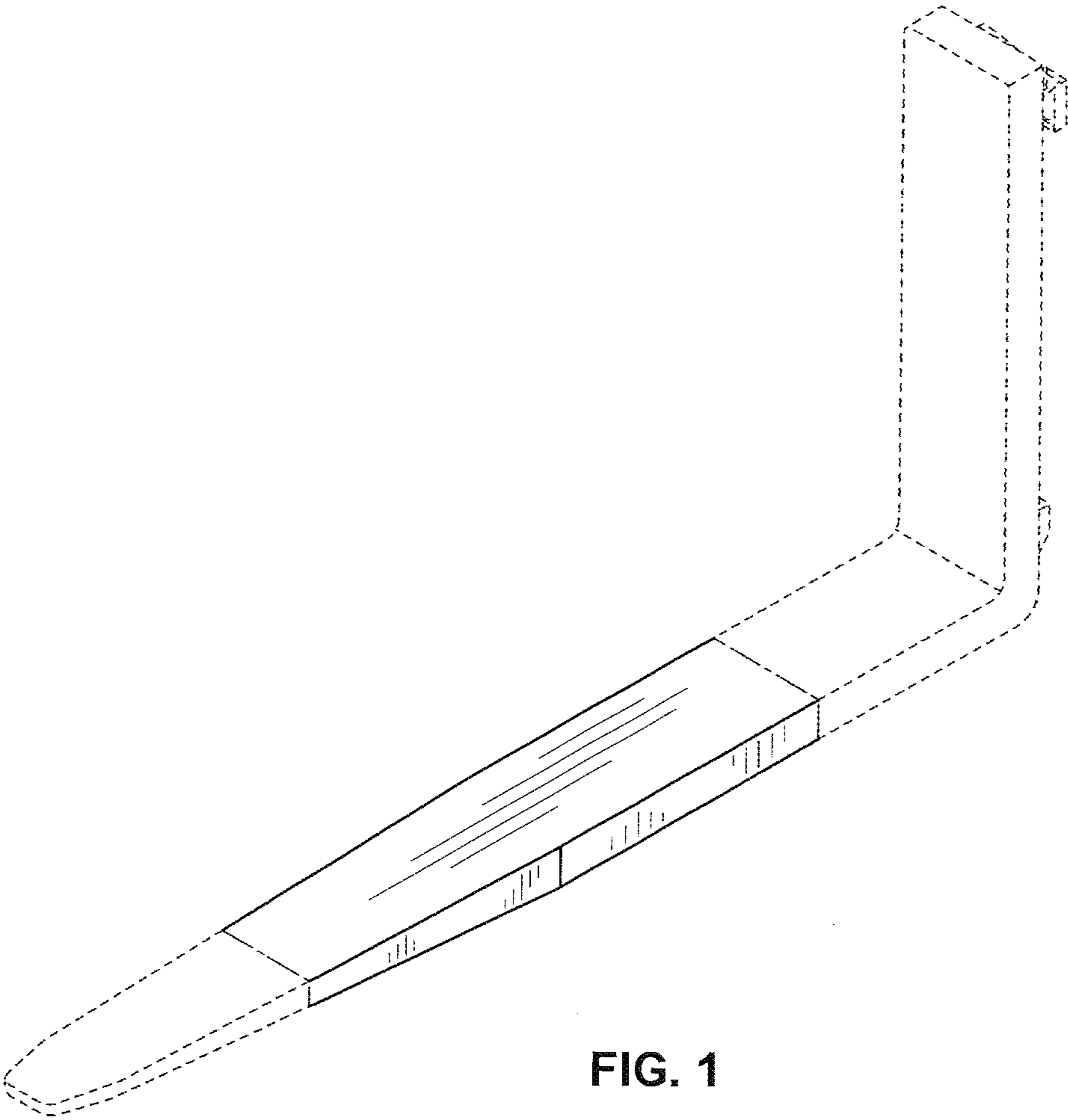


FIG. 1

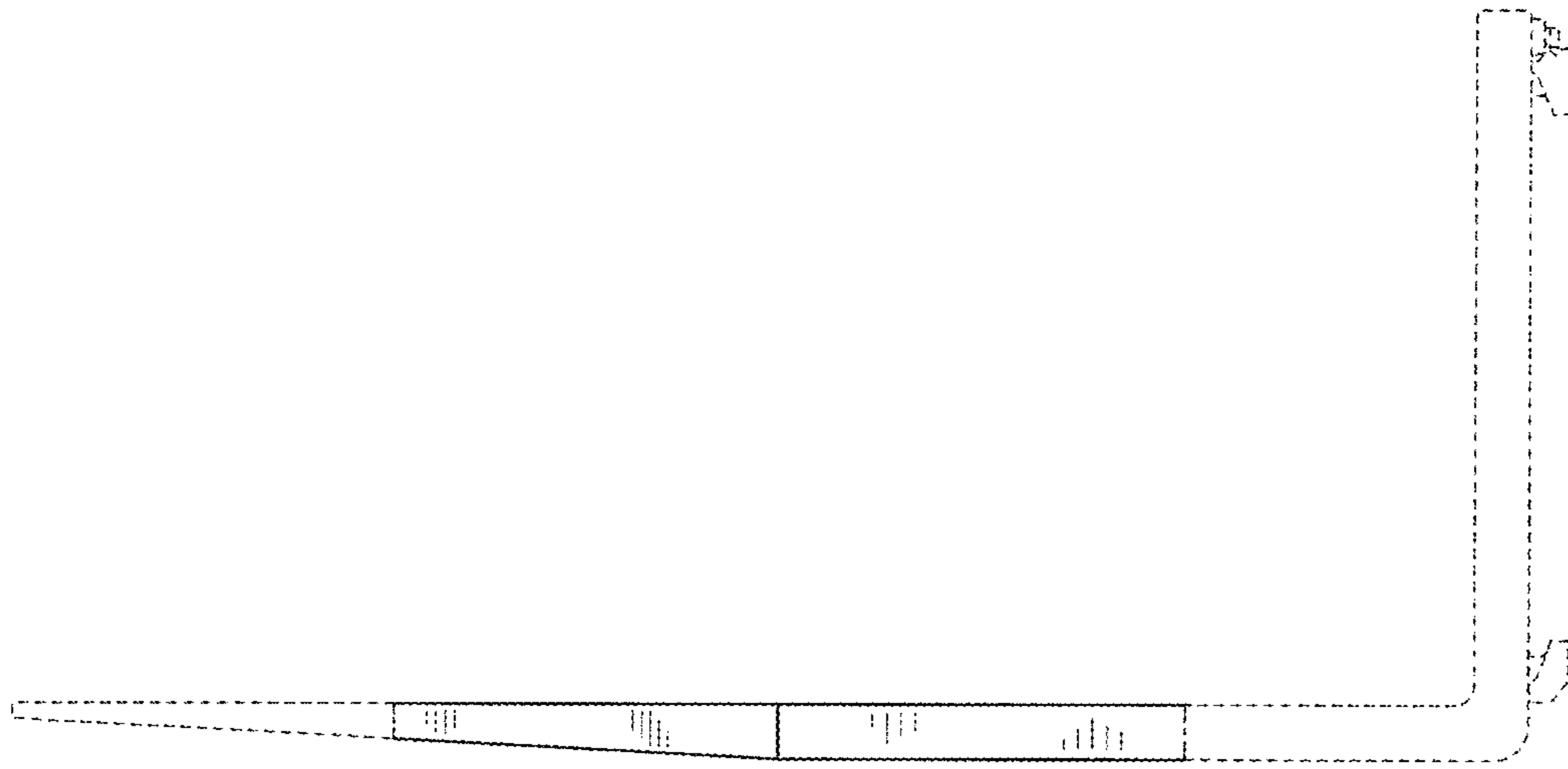


FIG. 2

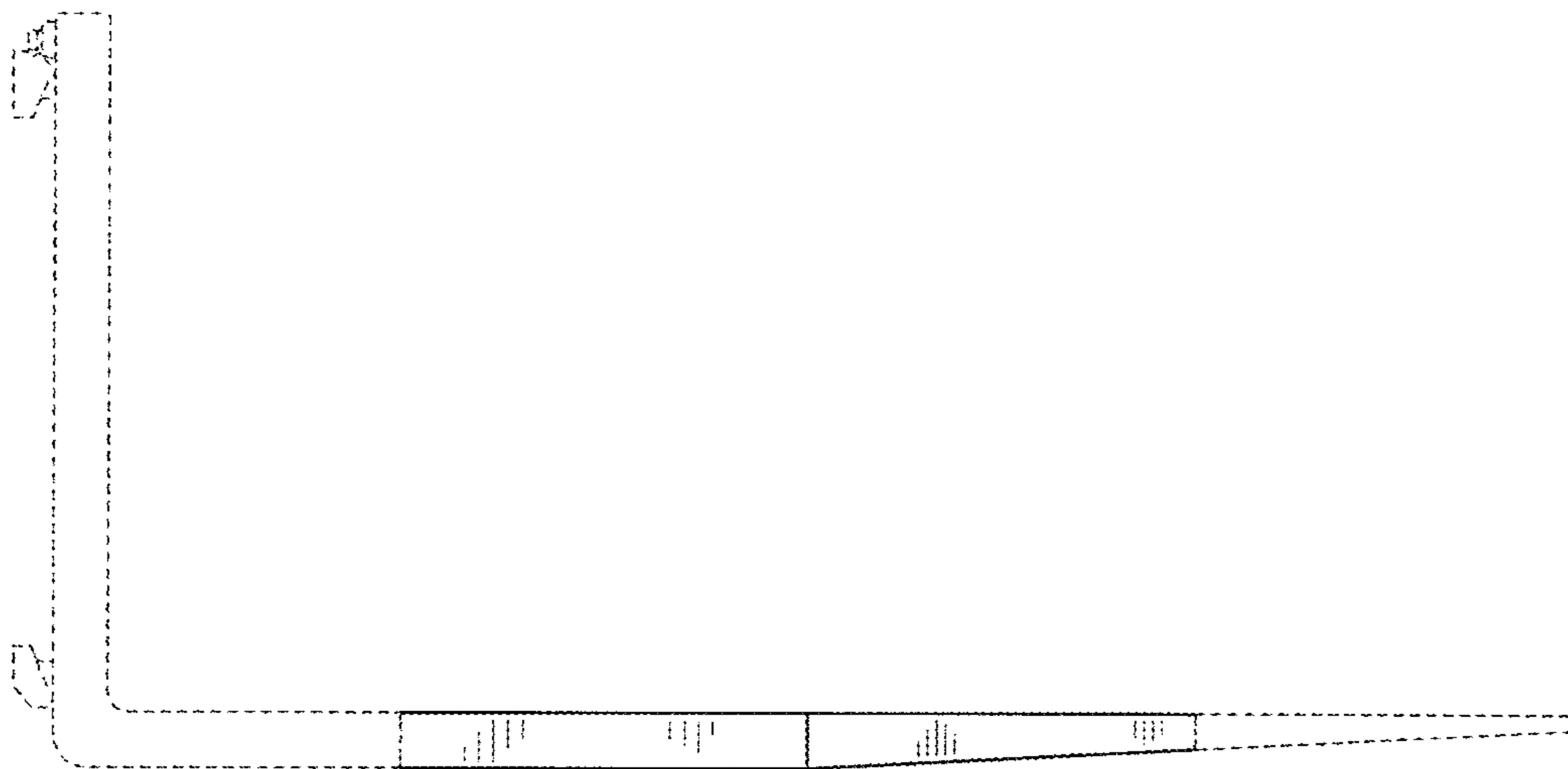


FIG. 3



FIG. 4

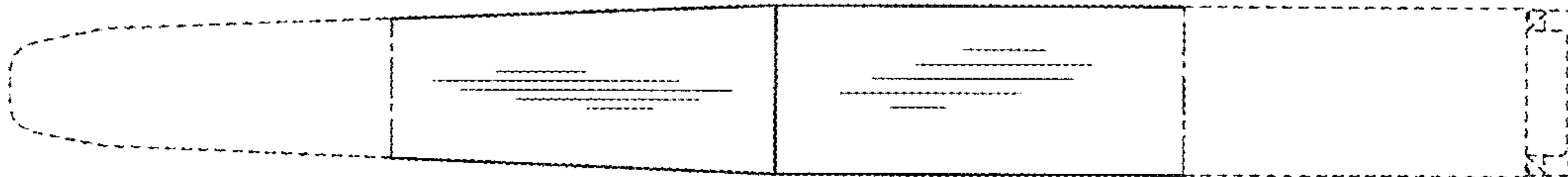


FIG. 5

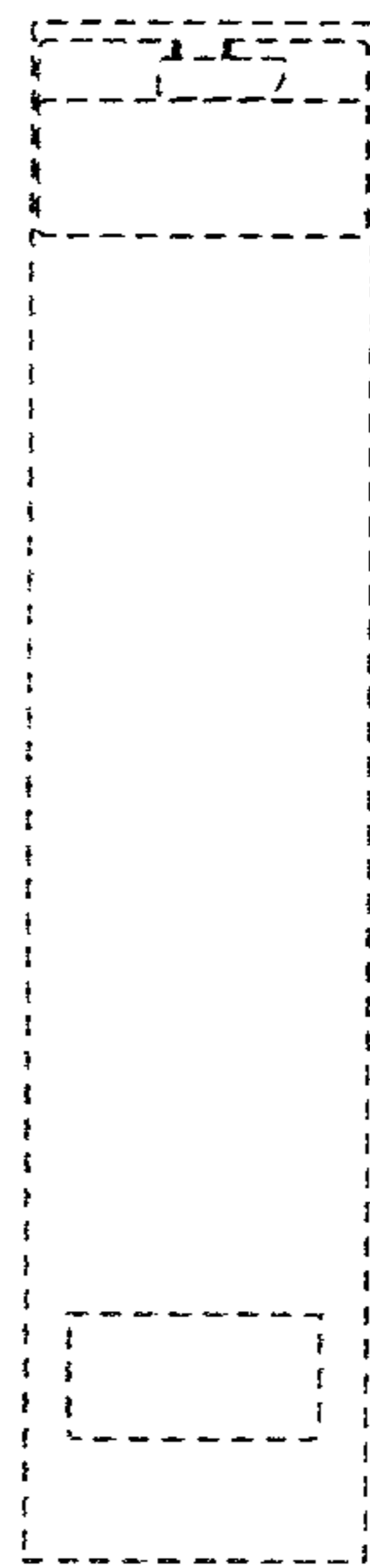


FIG. 6

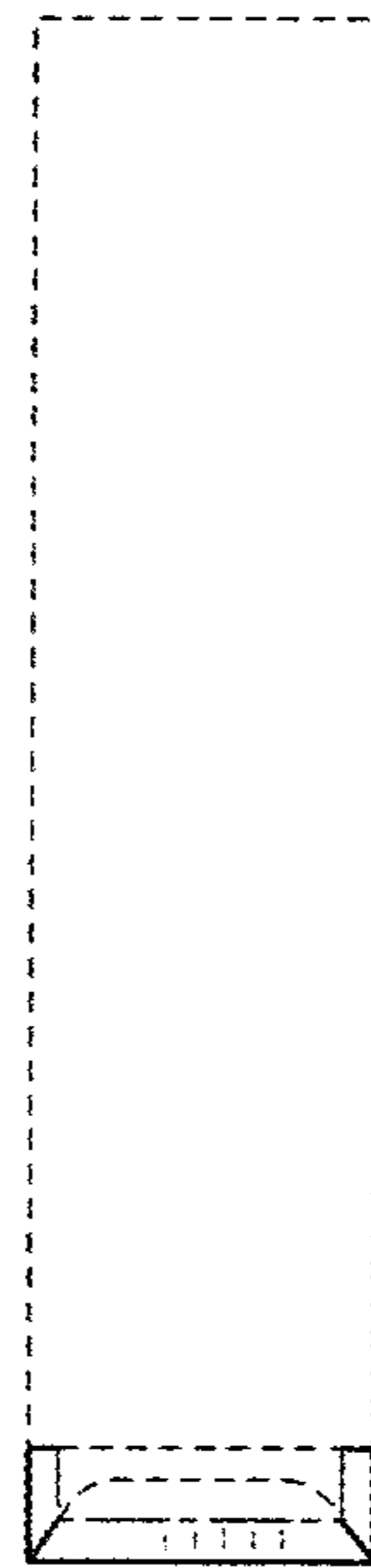


FIG. 7