



US00D796148S

(12) **United States Design Patent** (10) **Patent No.:** **US D796,148 S**  
**Illedits et al.** (45) **Date of Patent:** **\*\* Aug. 29, 2017**

(54) **TRAVELATOR**

(56) **References Cited**

(71) Applicant: **Inventio AG**, Hergiswil NW (CH)

U.S. PATENT DOCUMENTS

(72) Inventors: **Thomas Illedits**, Neufeld (AT); **Robert Schulz**, Vienna (AT); **Michael Matheisl**, Vösendorf (AT); **Christoph Makovec**, Wiener Neustadt (AT); **Uwe Hauer**, Nienburg (DE)

|                 |        |                 |        |
|-----------------|--------|-----------------|--------|
| 3,399,758 A     | 9/1968 | Karr            |        |
| D420,189 S      | 2/2000 | Kleewein et al. |        |
| D490,957 S      | 6/2004 | Stuffel         |        |
| D551,419 S      | 9/2007 | Kleewein        |        |
| D753,365 S *    | 4/2016 | Illedits .....  | D34/30 |
| 2003/0000800 A1 | 1/2003 | Krampl          |        |
| 2003/0066731 A1 | 4/2003 | Gonzalez        |        |
| 2003/0127301 A1 | 7/2003 | Lauch           |        |
| 2006/0137960 A1 | 6/2006 | Fargo           |        |
| 2007/0074950 A1 | 4/2007 | Aulanko         |        |
| 2010/0096240 A1 | 4/2010 | Winkelhake      |        |
| 2010/0147648 A1 | 6/2010 | Gonzalez        |        |

(73) Assignee: **Inventio AG**, Hergiswil (CH)

(\*\*) Term: **15 Years**

\* cited by examiner

(21) Appl. No.: **29/554,523**

(22) Filed: **Feb. 12, 2016**

*Primary Examiner* — Cynthia Ramirez  
(74) *Attorney, Agent, or Firm* — Shumaker, Loop & Kendrick, LLP; William J. Clemens

**Related U.S. Application Data**

(62) Division of application No. 29/495,553, filed on Jul. 2, 2014, now Pat. No. Des. 753,365.

(57) **CLAIM**

The ornamental design for a travelator, as shown.

(51) **LOC (10) Cl.** ..... **12-05**

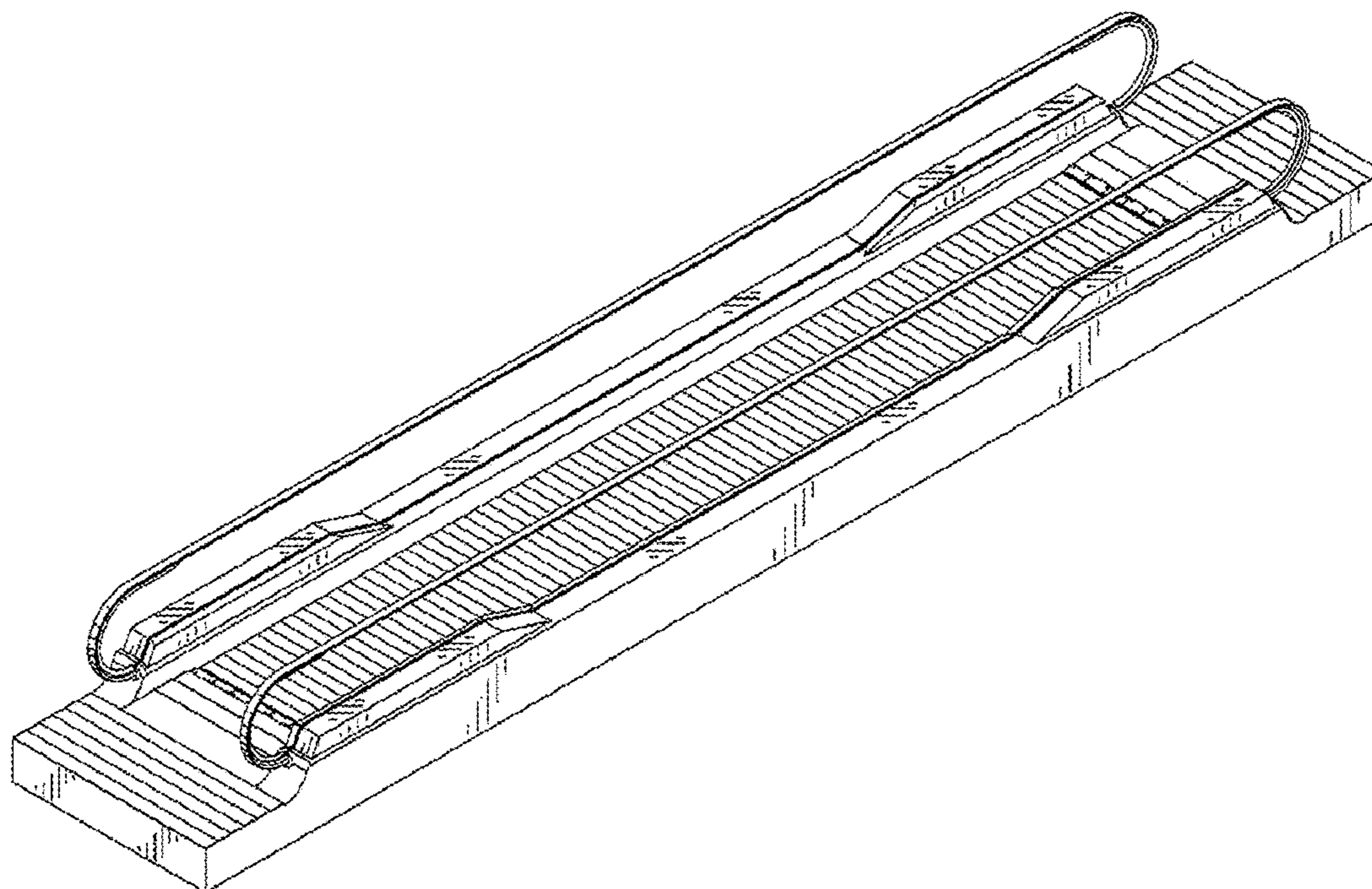
(52) **U.S. Cl.**  
USPC ..... **D34/30**

**DESCRIPTION**

(58) **Field of Classification Search**  
USPC ..... D34/28, 30, 29; 198/331, 335, 336, 38, 198/321  
CPC ..... B66B 23/04; B66B 23/02; B66B 23/08; B66B 23/026; B66B 23/06; B66B 23/22; B66B 23/24; B66B 23/225; B66B 21/10  
See application file for complete search history.

FIG. 1 is a front elevation view of a travelator showing our new design;  
FIG. 2 is a rear elevation view thereof;  
FIG. 3 is a left side elevation view thereof;  
FIG. 4 is a right side elevation view thereof;  
FIG. 5 is a top plan view thereof;  
FIG. 6 is a bottom plan view thereof; and,  
FIG. 7 is a perspective view thereof.

**1 Claim, 3 Drawing Sheets**



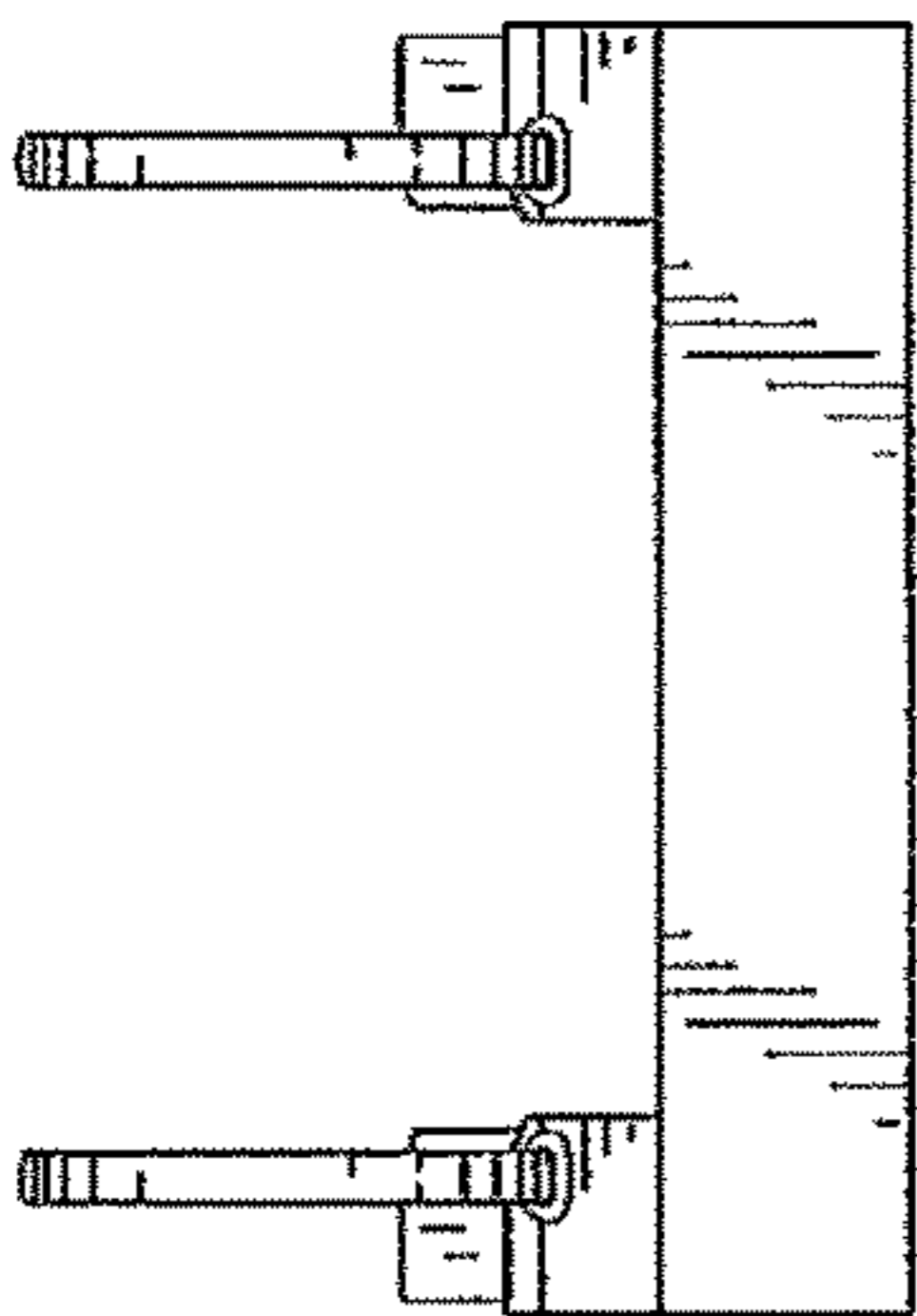


Fig. 1

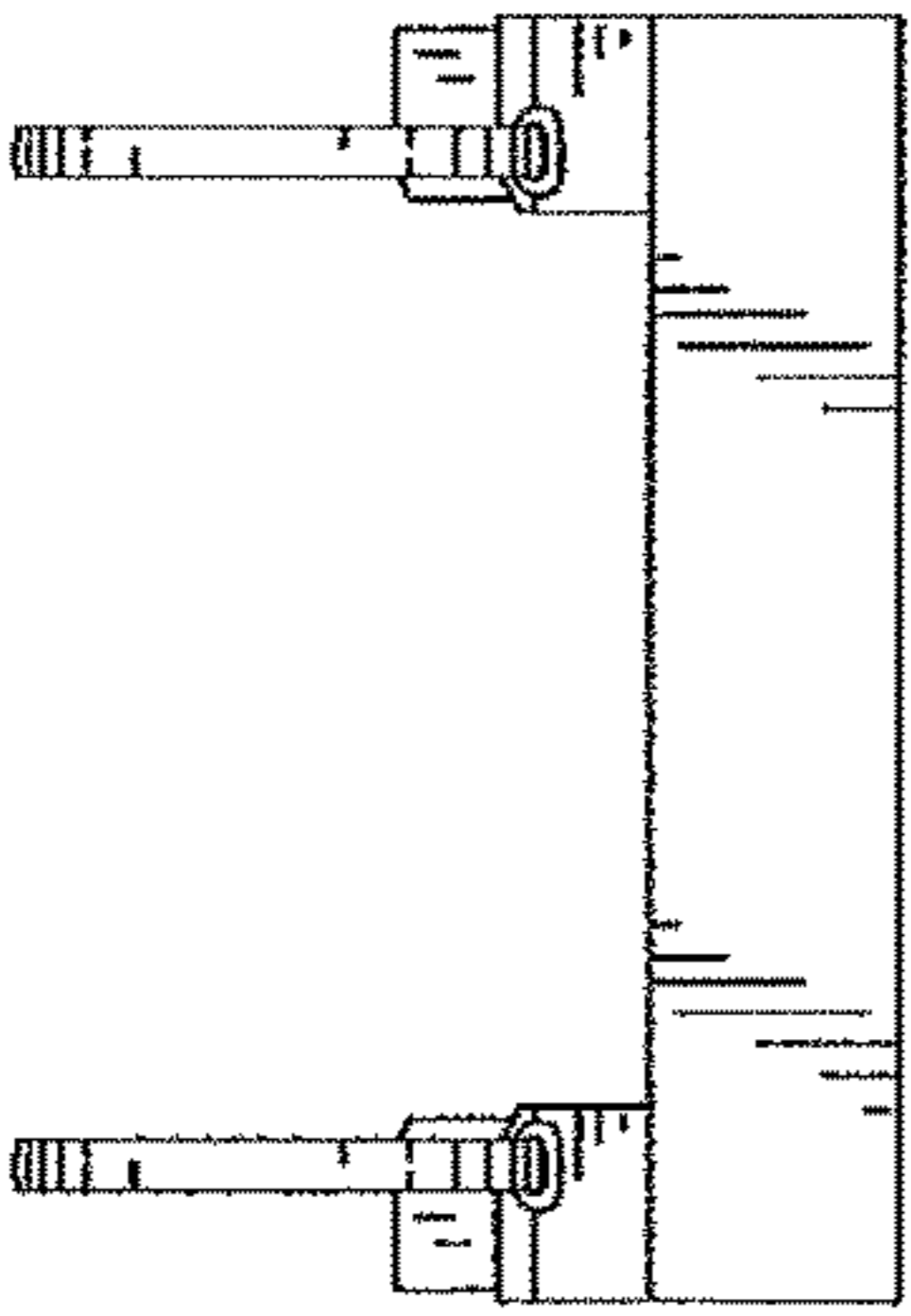


Fig. 2

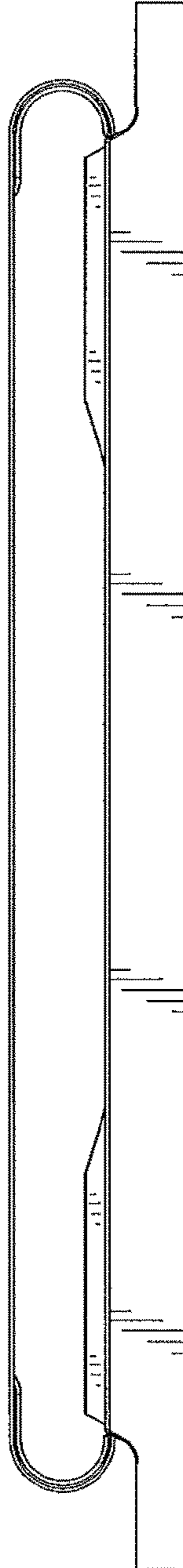


Fig. 3

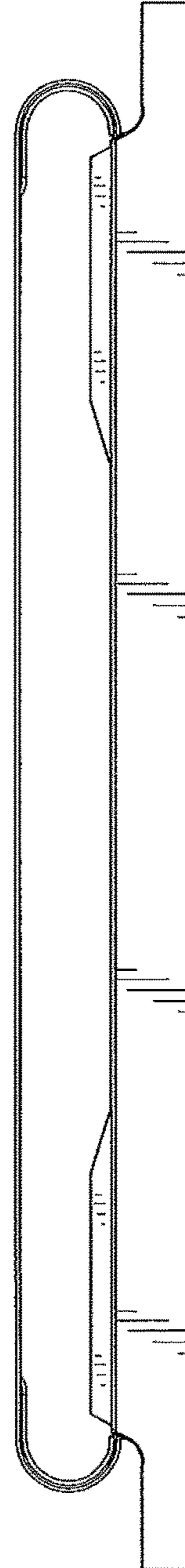


Fig. 4

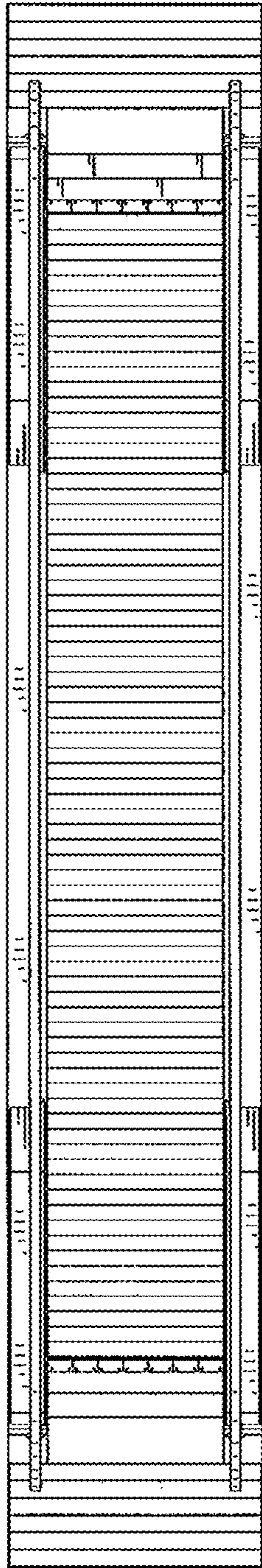


Fig. 5

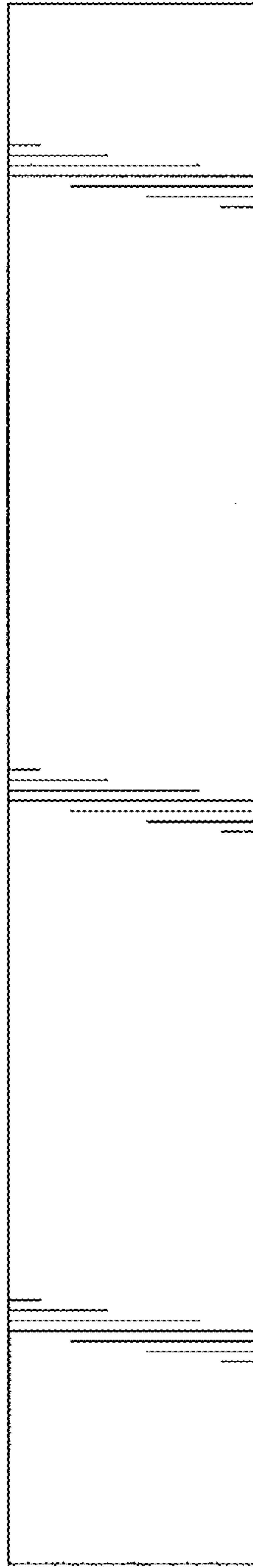


Fig. 6

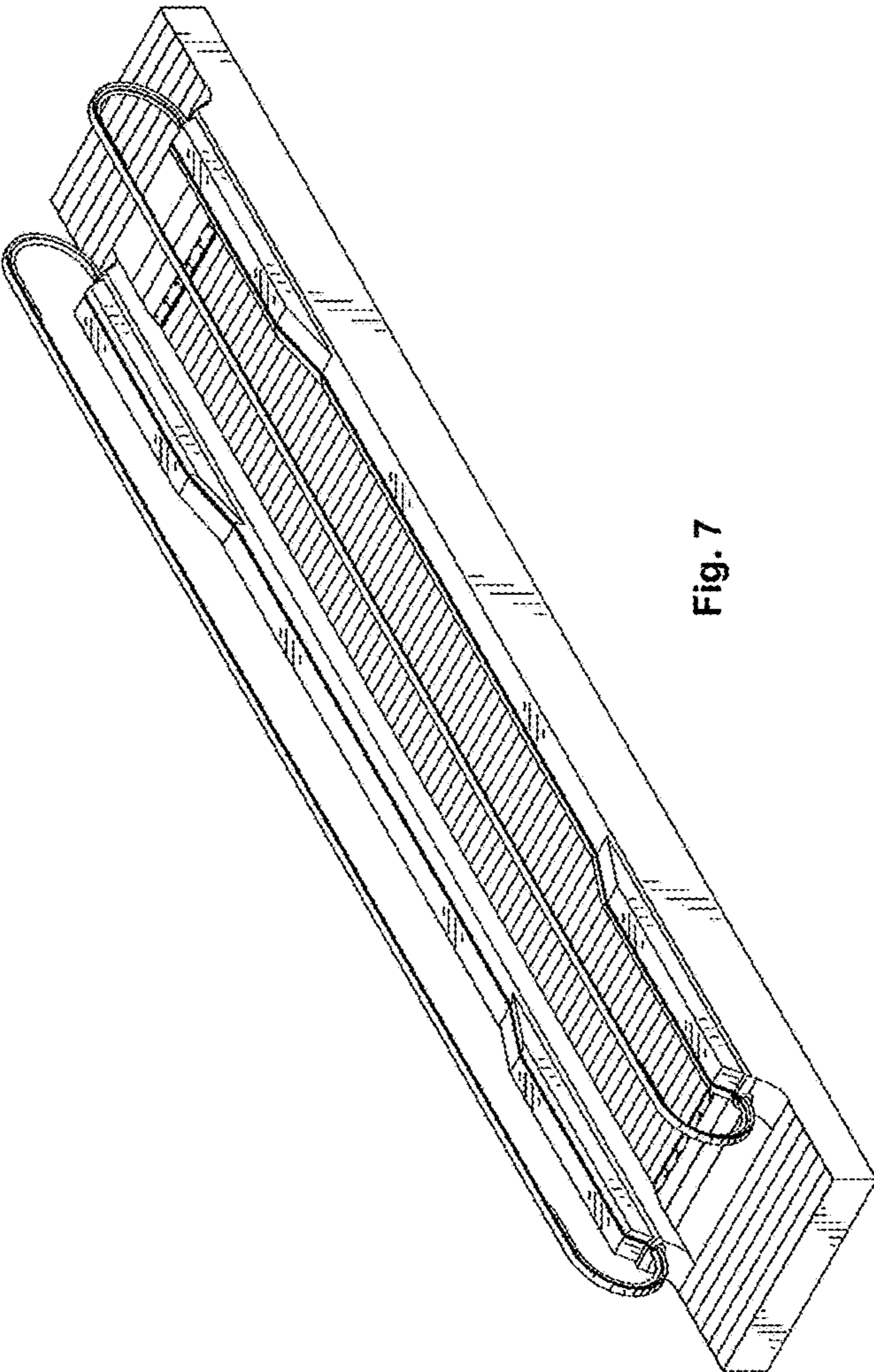


Fig. 7