



US00D796146S

(12) **United States Design Patent** (10) **Patent No.:** **US D796,146 S**
Walter et al. (45) **Date of Patent:** **** Aug. 29, 2017**

(54) **CART**
(71) Applicant: **AMSA, Inc.**, Boulder, CO (US)
(72) Inventors: **Ivor Michel Walter**, Boulder, CO (US);
Jonathan Peot, Boulder, CO (US);
Wilson Zeng, Foshan (CN); **Paul Jensen**, Boulder, CO (US)

5,595,394 A 1/1997 Adamson
D449,913 S 10/2001 Walter
D455,243 S 4/2002 Walter
D472,026 S 3/2003 Walter
D472,027 S 3/2003 Walter
6,739,605 B2 5/2004 Calmeise et al.
D542,997 S 5/2007 Coderre
(Continued)

(73) Assignee: **AMSA, INC.**, Boulder, CO (US)

(**) Term: **15 Years**

(21) Appl. No.: **29/548,433**

(22) Filed: **Dec. 14, 2015**

(51) **LOC (10) Cl.** **12-02**

(52) **U.S. Cl.**
USPC **D34/21**

(58) **Field of Classification Search**
USPC D34/12-27; 280/33.997, 47.35, 47.38
CPC .. B62B 3/02; B62B 3/10; B62B 3/006; B62B
3/1404; B62B 3/002; B62B 3/027; B62B
3/001; B62B 3/04; B62B 3/102; B62B
3/1408

See application file for complete search history.

(56) **References Cited**

U.S. PATENT DOCUMENTS

D199,670 S 12/1964 Inglis
3,429,403 A 2/1969 Drechsler et al.
D221,748 S 9/1971 Bloomfield et al.
D226,809 S 5/1973 Cummings et al.
D280,858 S 10/1985 Muellner et al.
D297,677 S 9/1988 Conn
4,850,604 A 7/1989 Le Marchand et al.
5,211,410 A 5/1993 Trubiano
D340,334 S 10/1993 Kean et al.
5,435,582 A 7/1995 Davidson
D365,904 S 1/1996 Adamson et al.
D367,348 S * 2/1996 Basharat D34/12
5,553,876 A 9/1996 Trubiano

OTHER PUBLICATIONS

Applicant AMSA, Inc. DBA VersaCart Systems Retail & Distribu-
tion Catalog 2005. 16 pages.

(Continued)

Primary Examiner — Cynthia Ramirez

(74) *Attorney, Agent, or Firm* — Polson Intellectual
Property Law, PC; Margaret Polson

(57) **CLAIM**

The ornamental design for a cart, as shown and described.

DESCRIPTION

FIG. 1 is a front isometric view of a cart showing my new
design.

FIG. 2 is a left side elevation view of FIG. 1.

FIG. 3 is a right side elevation view of FIG. 1.

FIG. 4 is a front side elevation view of FIG. 1.

FIG. 5 is a back side elevation view of FIG. 1.

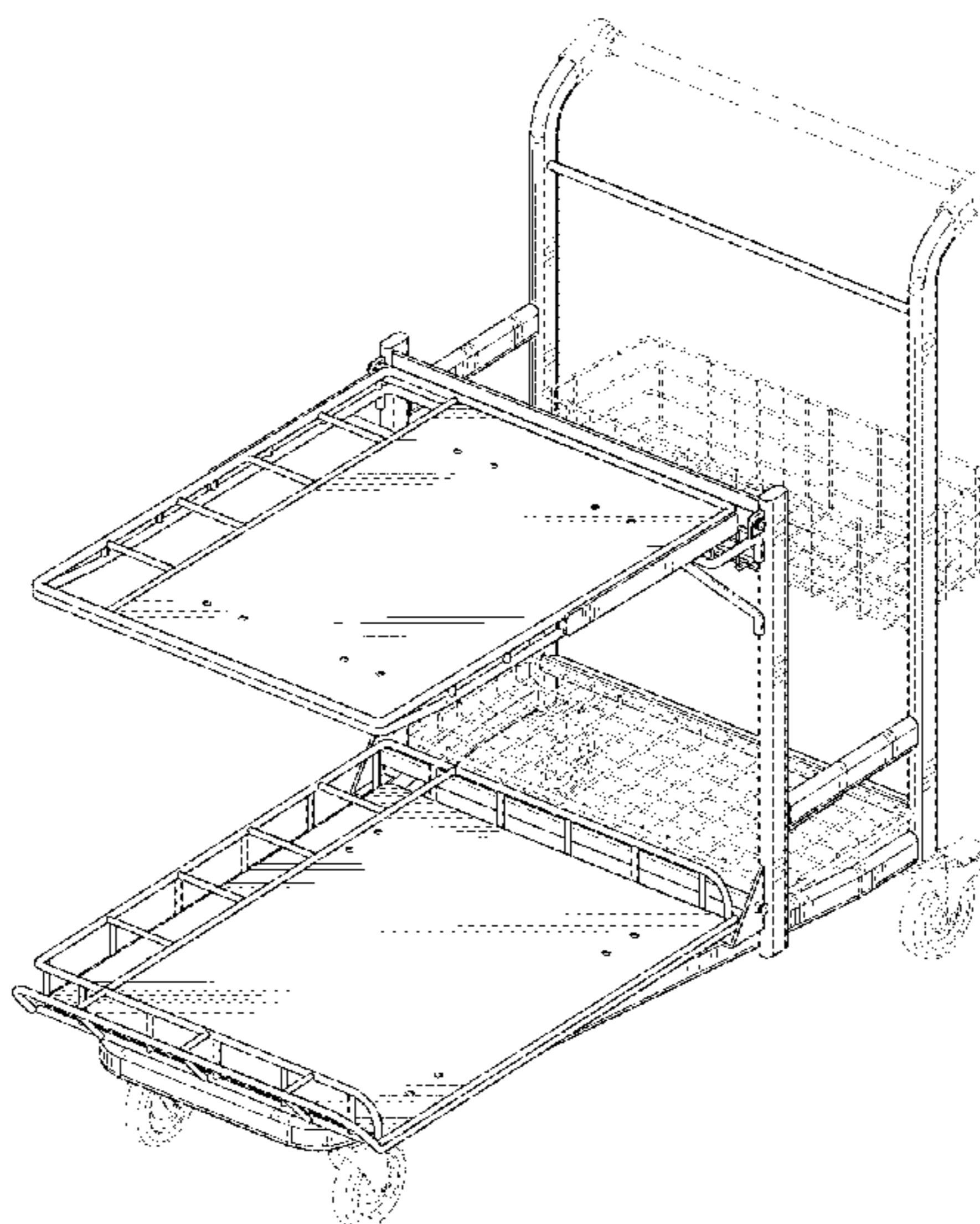
FIG. 6 is a top plan view of FIG. 1.

FIG. 7 is a bottom plan view of FIG. 1; and,

FIG. 8 is a side elevation view of the left side with a second
cart nested to the first cart, the second cart being shown in
broken lines, it being understood second cart is identical to
all other views of this embodiment other than being shown
the nested position.

The features shown in broken lines in the drawing depict
environmental subject matter only and form no part of the
claimed design.

1 Claim, 7 Drawing Sheets



(56)

References Cited

U.S. PATENT DOCUMENTS

D548,421	S	8/2007	Walter	
7,300,062	B2	11/2007	Otterlee et al.	
D576,372	S	9/2008	Walter	
D577,172	S	9/2008	Coderre	
D580,617	S	11/2008	Walter	
D596,366	S	7/2009	Giampavolo	
D608,971	S *	1/2010	Tuncel	D34/18
D615,723	S	5/2010	Walter	
D672,111	S *	12/2012	Walter	D34/21
D700,762	S *	3/2014	Walter	D34/27
D742,088	S	10/2015	Walter	
D770,716	S *	11/2016	Giampavolo	D34/17
2001/0022436	A1	9/2001	Simard	
2003/0205873	A1	11/2003	Orozco	

OTHER PUBLICATIONS

Applicant AMSA, Inc. DBA VersaCart Systems Retail & Distribution Catalog 2008. 50 pages.
 Applicant AMSA, Inc. DBA VersaCart Systems Brochure for ACE Spring Convention 2013.4 pages.
 Applicant AMSA, Inc. DBA VersaCart Systems Brochure for ACE Spring Convention 2014. 4 pages.
 Applicant AMSA, Inc. DBA VersaCart Systems Brochure for ACE Spring Convention 2015. 4 pages.
 Applicant AMSA, Inc. DBA VersaCart Systems Brochure for ACE Spring Convention 2016. 4 pages.
 Applicant AMSA, Inc. DBA VersaCart Systems Brochure for ACE Spring Market 2012. 2 pages.

Applicant AMSA, Inc. DBA VersaCart Systems Brochure for Orgill Spring Dealer Market 2015. 6 pages.
 Applicant AMSA, Inc. DBA VersaCart Systems Brochure for Orgill Fall Dealer Market 2015. 6 pages.
 Applicant AMSA, Inc. DBA VersaCart Systems Brochure for Orgill Fall Market 2012. 4 pages.
 Applicant AMSA, Inc. DBA VersaCart Systems Brochure for Orgill Spring Dealer Market 2014. 6 pages.
 Applicant AMSA, Inc. DBA VersaCart Systems Brochure for Orgill Fall Dealer Market 2014. 6 pages.
 Applicant AMSA, Inc. DBA VersaCart Systems trifold brochure, 2010. 2 pages.
[\[http://www.premiercarts.com/wagon_carts.htm\]](http://www.premiercarts.com/wagon_carts.htm) showing Wagon Carts, 2006.
[\[http://www.premiercarts.com/warehouse_carts.htm\]](http://www.premiercarts.com/warehouse_carts.htm) showing Material Handling Warehouse Carts, 2004.
 MarkeTools Stock Trucks [<http://www.marketools.net/stocktrucks.html>].
 MarkeTools Shopping carts [<http://www.marketools.net/shoppingcarts.html>].
 MarkeTools Merchandisers displays [<http://www.marketools.net/smerchandisers.html>].
 MarkeTools Handbaskets [<http://www.marketools.net/handbaskets.html>].
 MarkeTools Cart Corrals [<http://www.marketools.net/cartcorrals.html>].
 Technibilt Cari-Out Cart Model No. 71.024 [http://www.technibilt.com/view_cart.asp?Id=30].
 U.S. Appl. No. 29/481,004, filed Jan. 31, 2014, inventor Walter et al.
 U.S. Appl. No. 29/517,942, filed Feb. 18, 2015, inventor Walter et al.

* cited by examiner

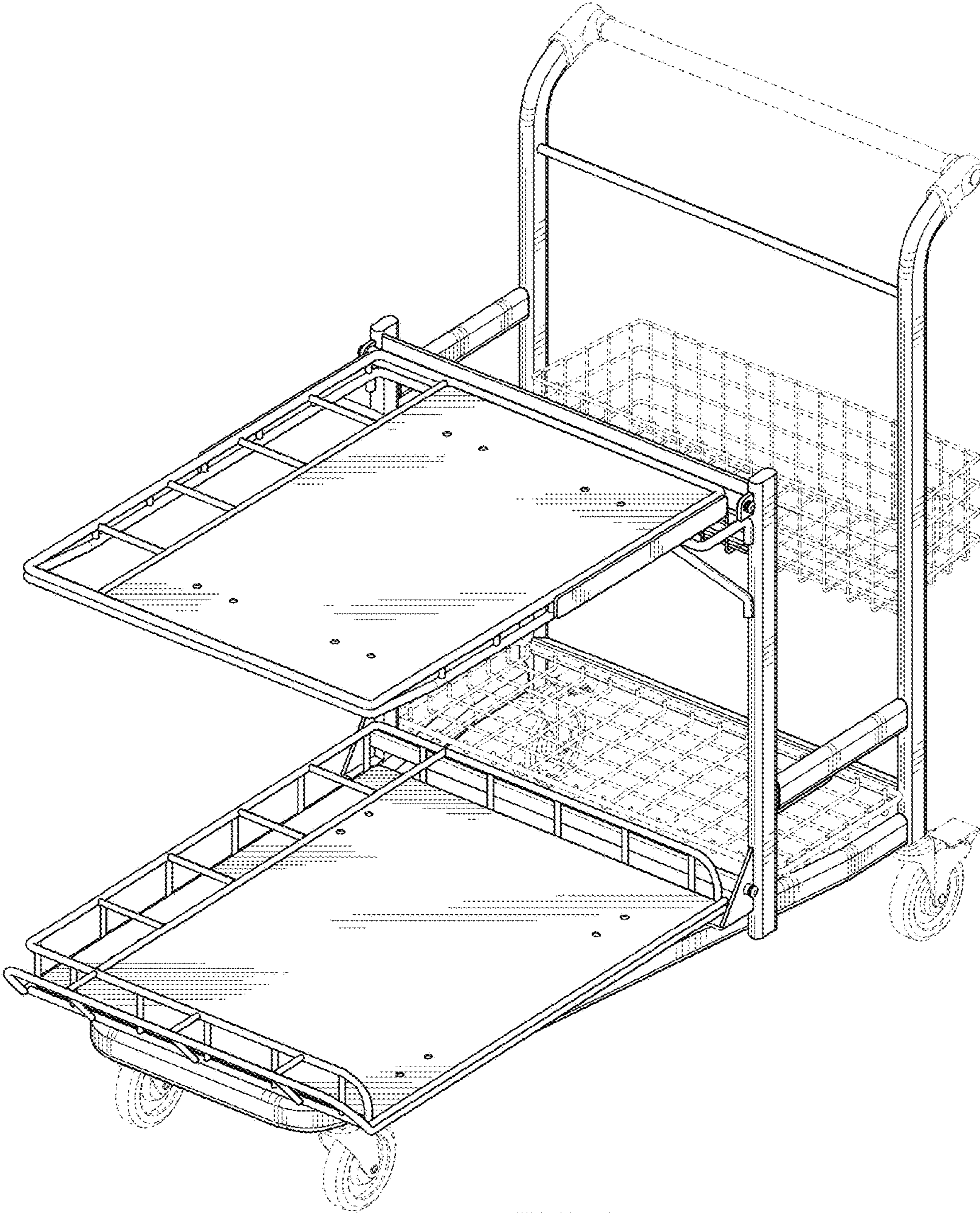


FIG.1

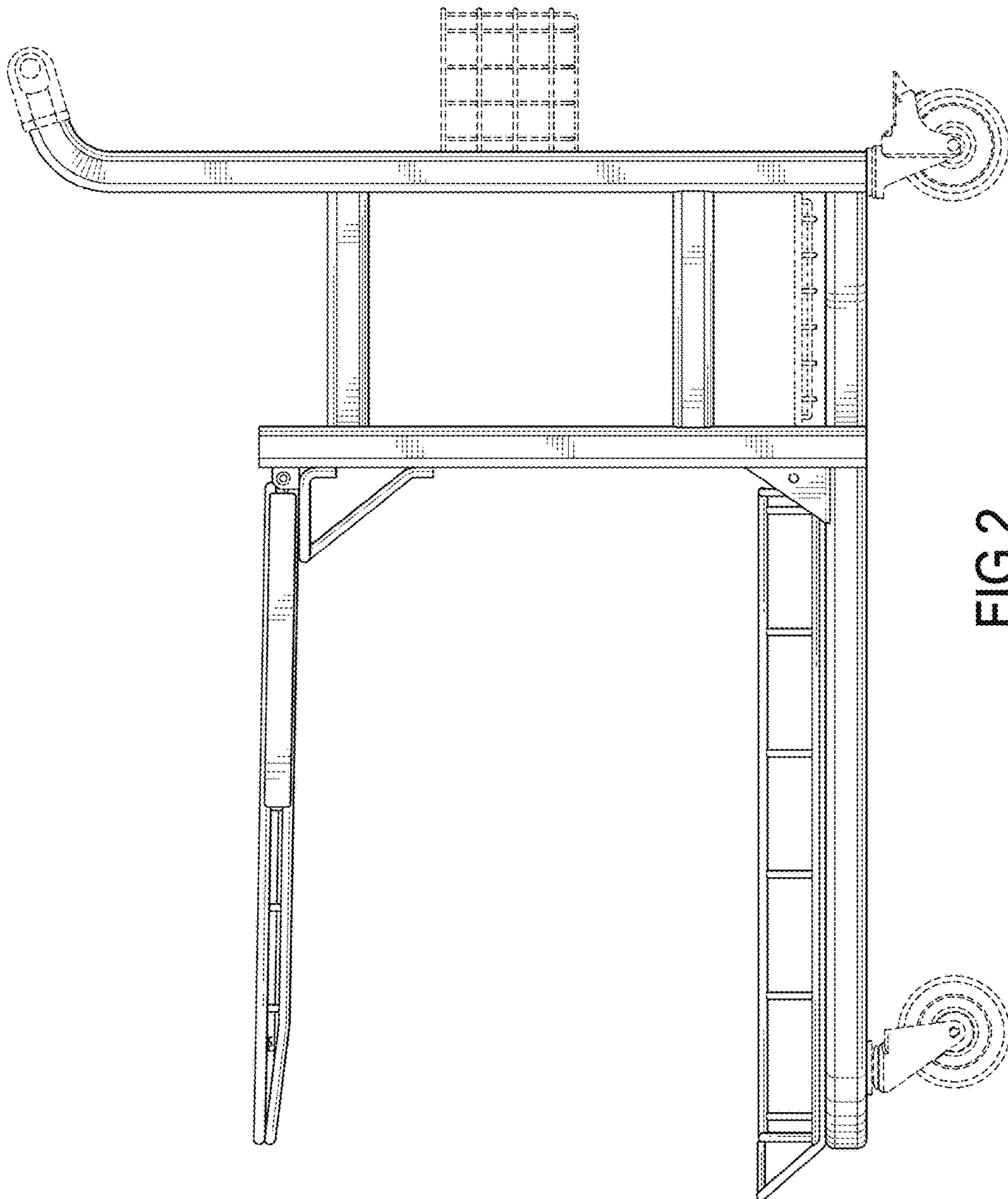
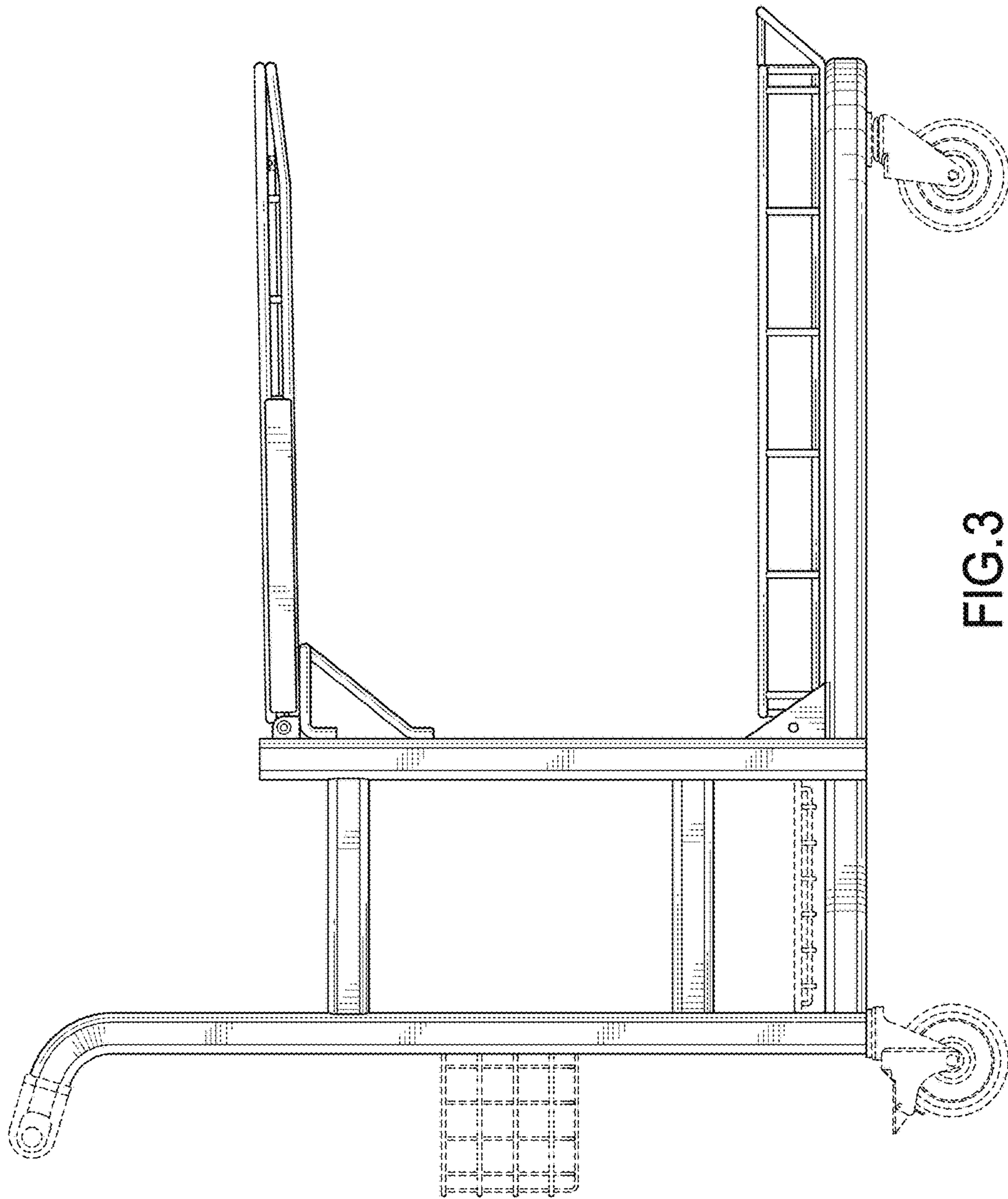


FIG.2



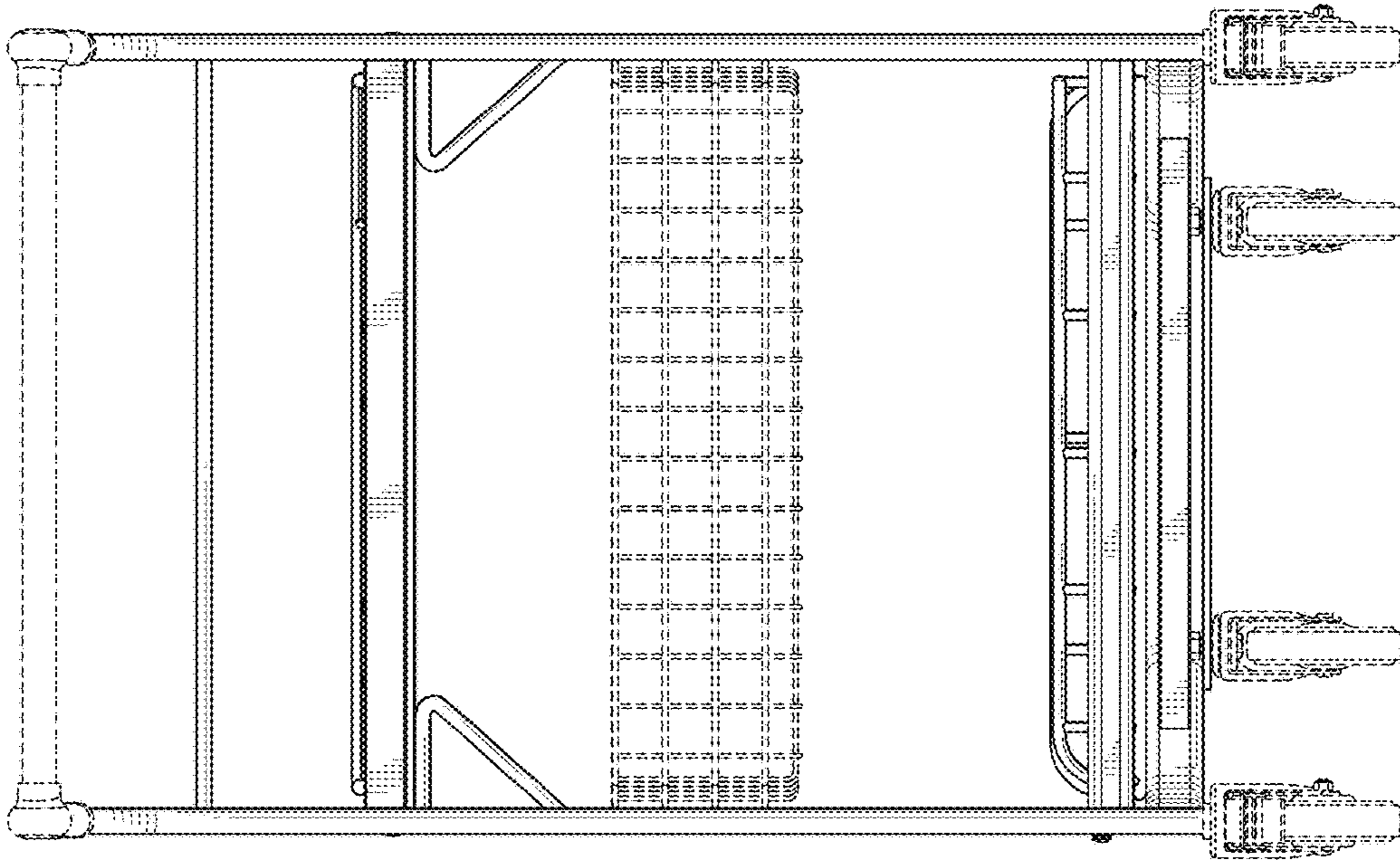


FIG.5

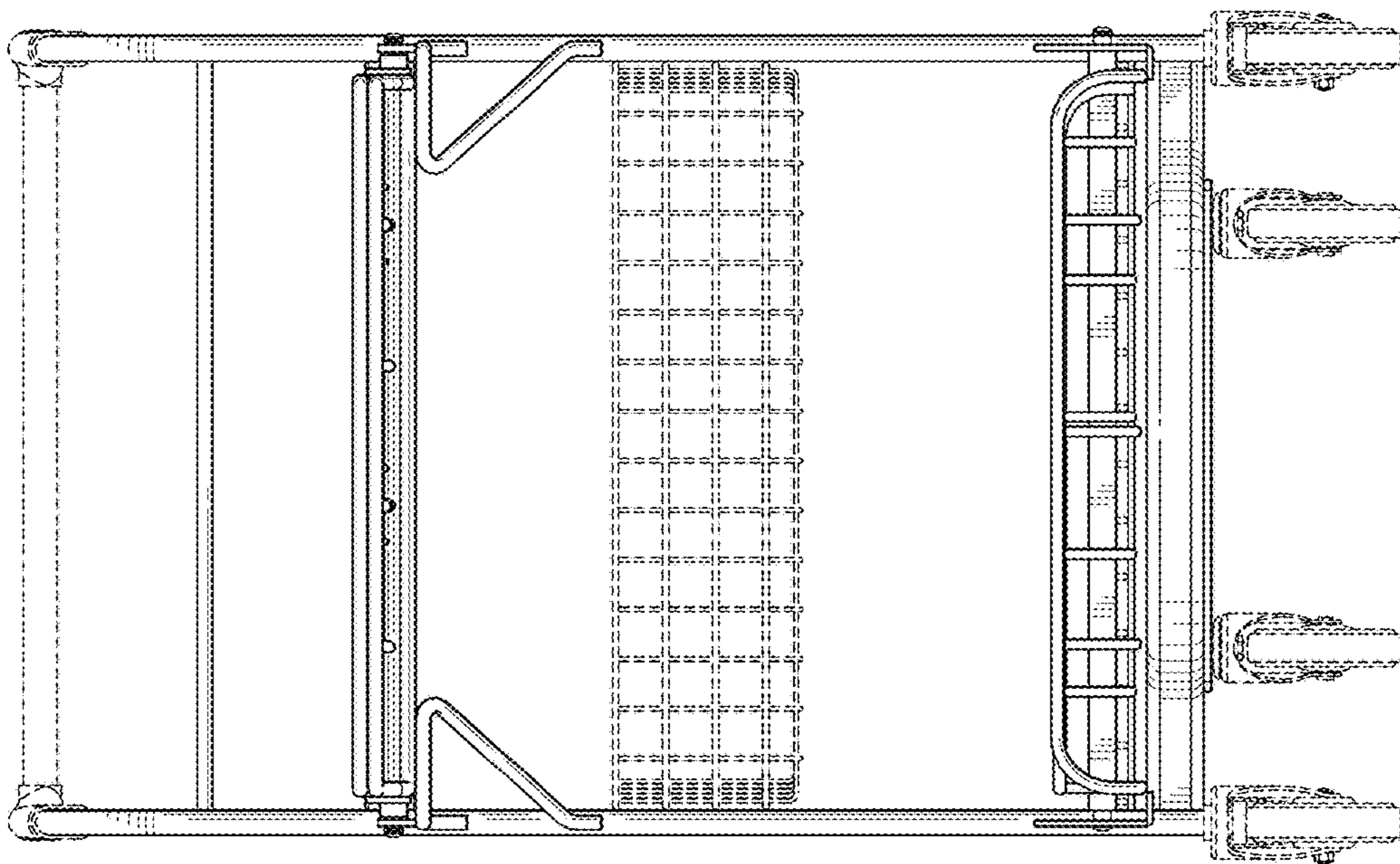


FIG.4

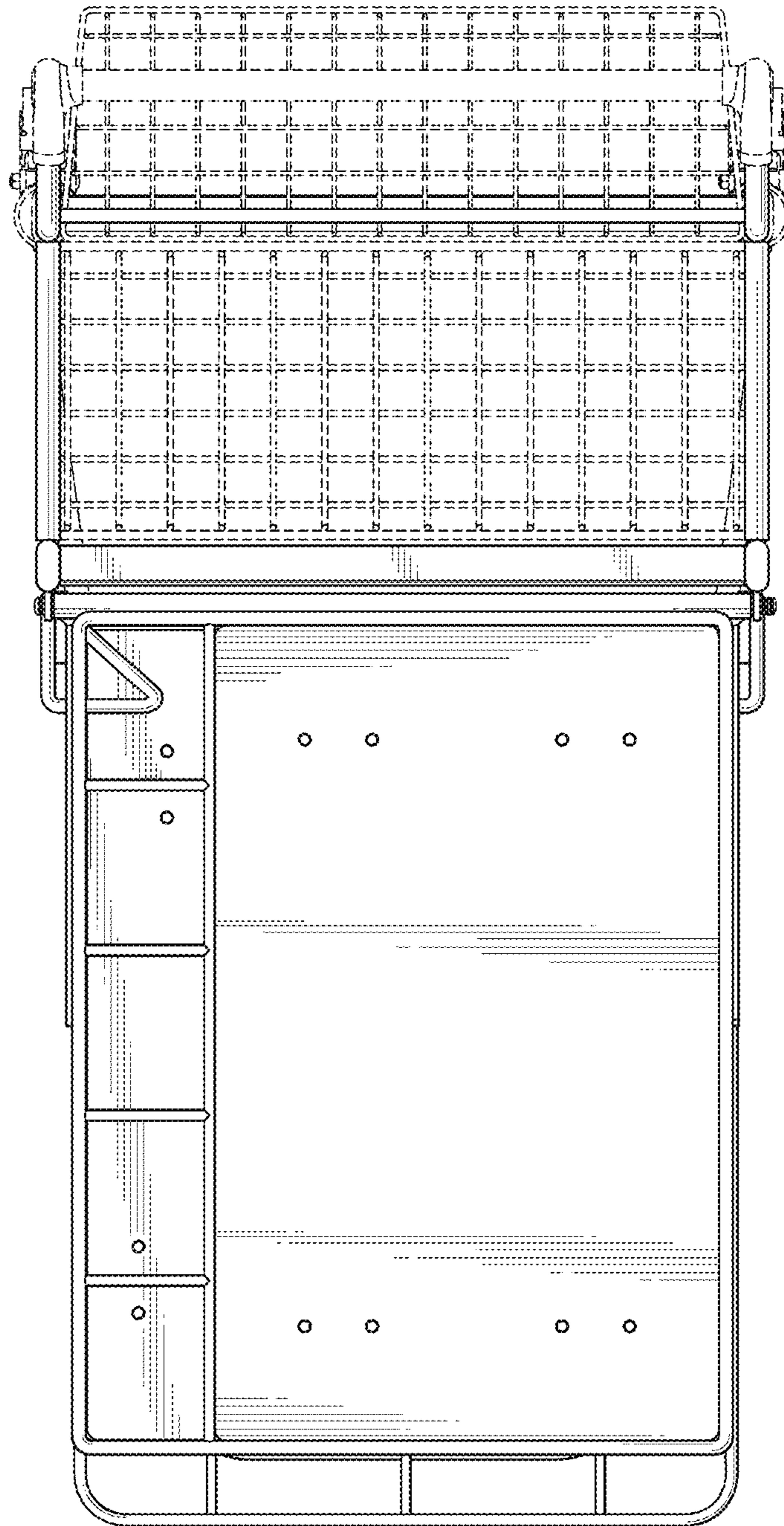


FIG.6

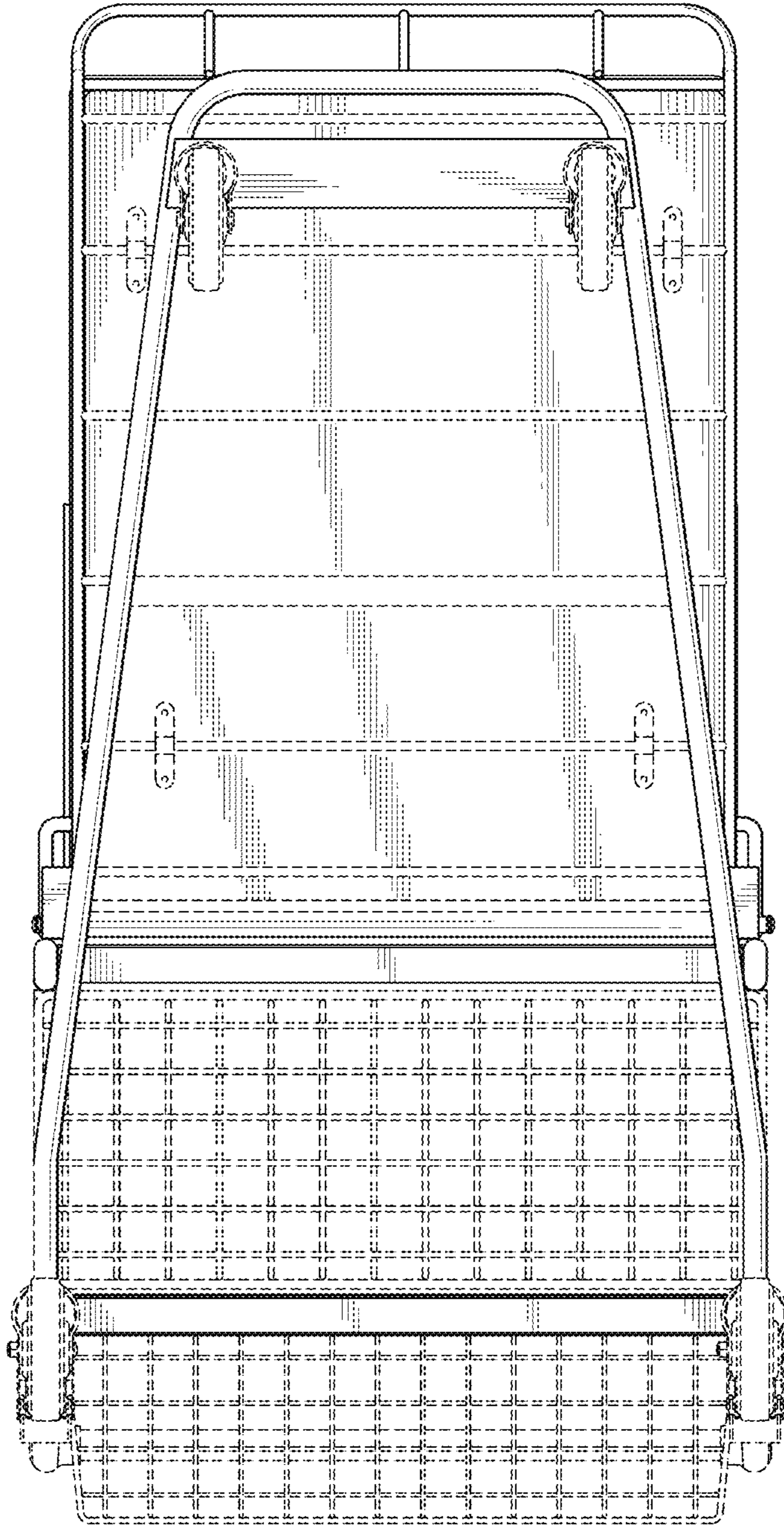


FIG.7

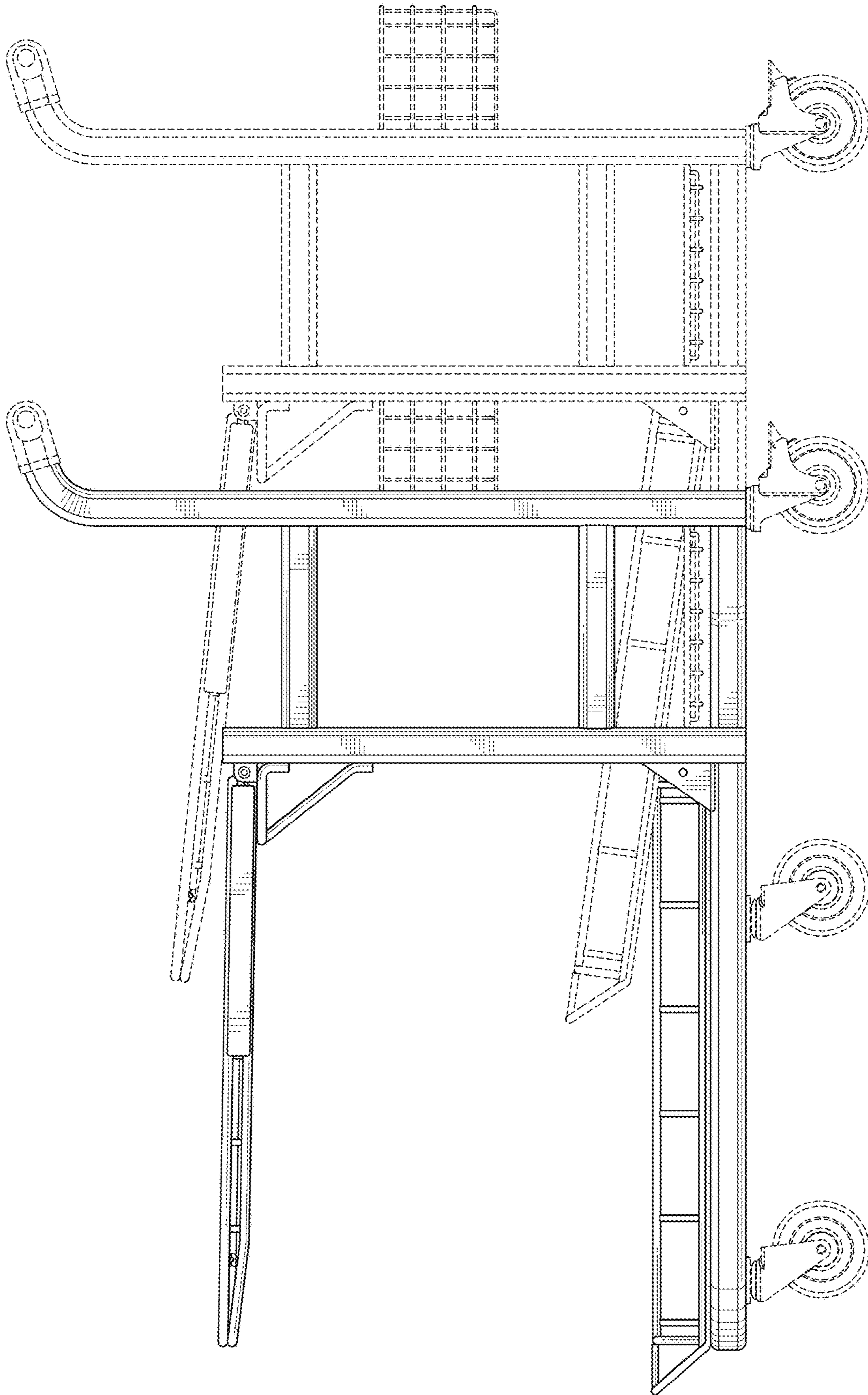


FIG.8