



US00D796145S

(12) **United States Design Patent** (10) **Patent No.:** **US D796,145 S**
Ruttan (45) **Date of Patent:** **** Aug. 29, 2017**

(54) **TROLLEY**

(71) Applicant: **THE FRO.ZEN TROLLEY INC.,**
Baden (CA)

(72) Inventor: **Gina Ruttan,** Baden (CA)

(73) Assignee: **THE FRO.ZEN TROLLEY INC.,**
Baden, Ontario (CA)

(**) Term: **15 Years**

(21) Appl. No.: **29/562,180**

(22) Filed: **Apr. 22, 2016**

(51) **LOC (10) Cl.** **12-02**

(52) **U.S. Cl.**
USPC **D34/19**

(58) **Field of Classification Search**
USPC D34/12-27; 280/79.11, 47.35, 47.19,
280/79.2, 79.3
CPC B62B 3/002; A47B 31/00; A47B 57/06;
A47B 97/00; A47B 2031/003
See application file for complete search history.

(56) **References Cited**

U.S. PATENT DOCUMENTS

D137,977 S *	5/1944	Baunach	D34/20
D182,926 S *	5/1958	Roeder	280/47.19
D188,315 S *	7/1960	Frick	296/22
D188,845 S *	9/1960	Willey	D24/234
D211,716 S *	7/1968	Roloson	D34/19
D219,913 S *	2/1971	Malm et al.	D3/905
3,877,744 A *	4/1975	Miller	B62B 3/006 108/38
D239,490 S *	4/1976	Pellegrini	D15/83

(Continued)

Primary Examiner — Cynthia Ramirez

(74) *Attorney, Agent, or Firm* — Tai W. Nahm; Miller Thomson LLP

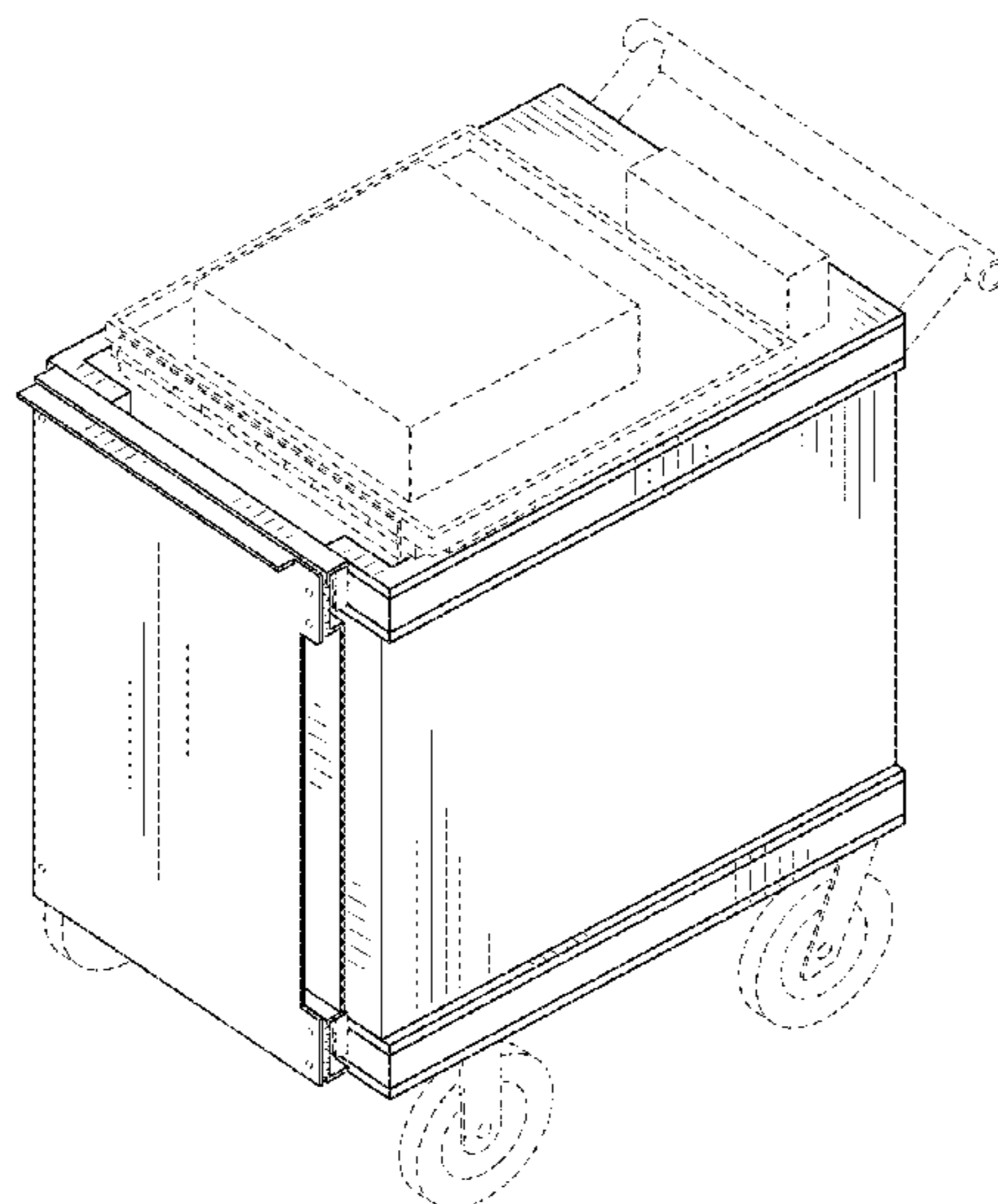
(57) **CLAIM**

The ornamental design for a trolley, as shown and described.

DESCRIPTION

FIG. 1 illustrates a rear right perspective view of a trolley showing my new design, shown in a folded position;
 FIG. 2 illustrates a front left perspective view of the trolley with extending panels in a folded position;
 FIG. 3 illustrates a rear elevation view of the trolley with extending panels in a folded position;
 FIG. 4 illustrates a front elevation view of the trolley with extending panels in a folded position;
 FIG. 5 illustrates a right side plan view of the trolley with extending panels in a folded position;
 FIG. 6 illustrates a left side plan view of the trolley with extending panels in a folded position;
 FIG. 7 illustrates a top view of the trolley with extending panels in a folded position;
 FIG. 8 illustrates a bottom view of the trolley with extending panels in a folded position;
 FIG. 9 illustrates a rear right perspective view of the trolley with extending panels in an extended position;
 FIG. 10 illustrates a front left perspective view of the trolley with extending panels in an extended position;
 FIG. 11 illustrates a rear elevation view of the trolley with extending panels in an extended position;
 FIG. 12 illustrates a front elevation view of the trolley with extending panels in an extended position;
 FIG. 13 illustrates a right side plan view of the trolley with extending panels in an extended position;
 FIG. 14 illustrates a left side plan view of the trolley with extending panels in an extended position;
 FIG. 15 illustrates a top view of the trolley with extending panels in an extended position; and,
 FIG. 16 illustrates a bottom view of the trolley with extending panels in an extended position.
 The broken lines shown in the figures are included for the purpose of illustrating portions of the trolley and form no part of the claimed design.

1 Claim, 10 Drawing Sheets



(56)

References Cited

U.S. PATENT DOCUMENTS

D265,434 S *	7/1982	Phillips	D34/18
D355,517 S *	2/1995	Campbell	D34/19
D489,507 S *	5/2004	Hahn	D15/141
D598,622 S *	8/2009	Wise	D34/19
D621,569 S *	8/2010	Linnell, Jr.	D34/19
D703,904 S *	4/2014	Knoll	D34/20
D707,912 S *	6/2014	Koehler	D34/19
D708,809 S *	7/2014	Maddux	D34/19
D758,688 S *	6/2016	Nai	D34/12

* cited by examiner

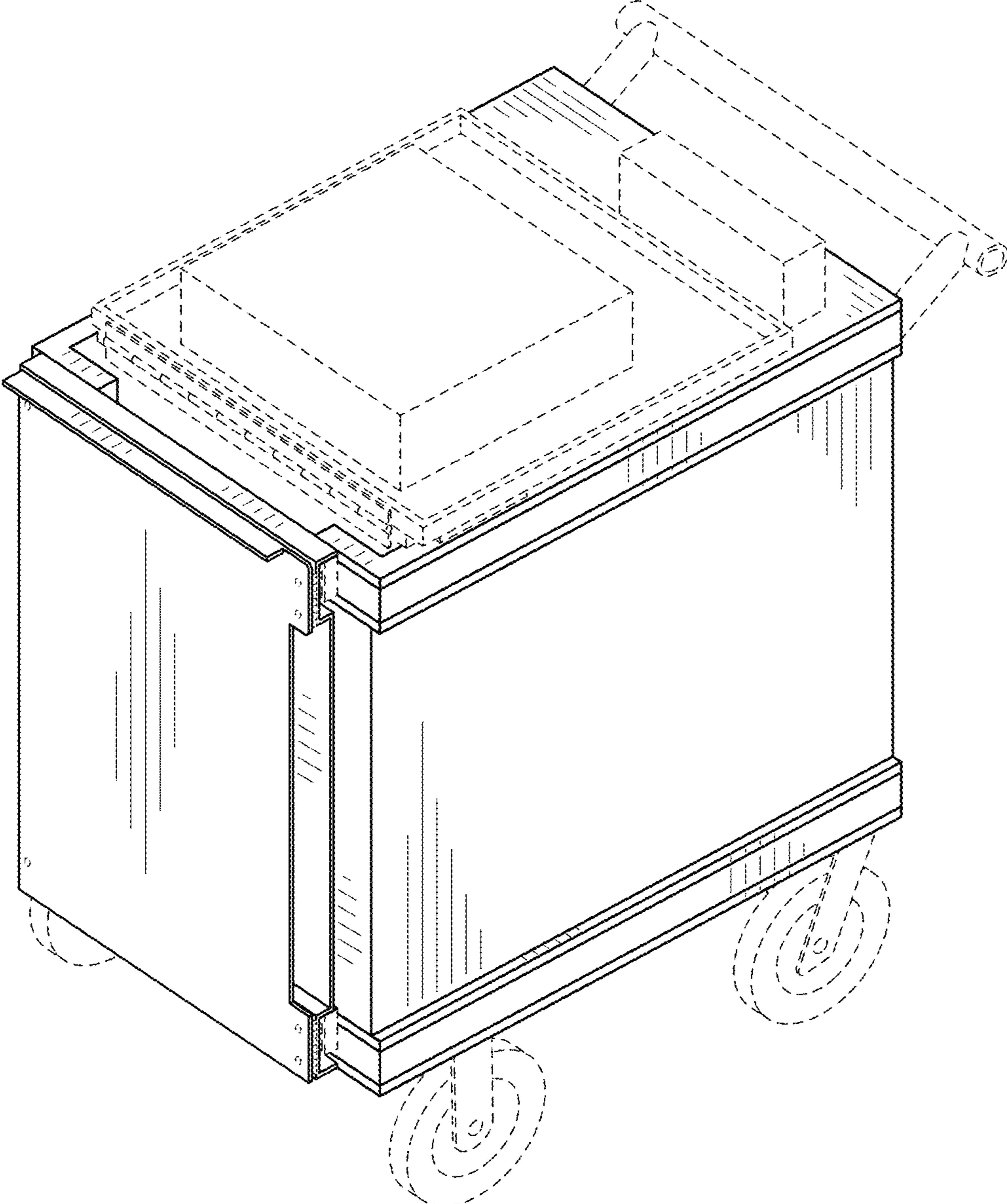


FIG. 1

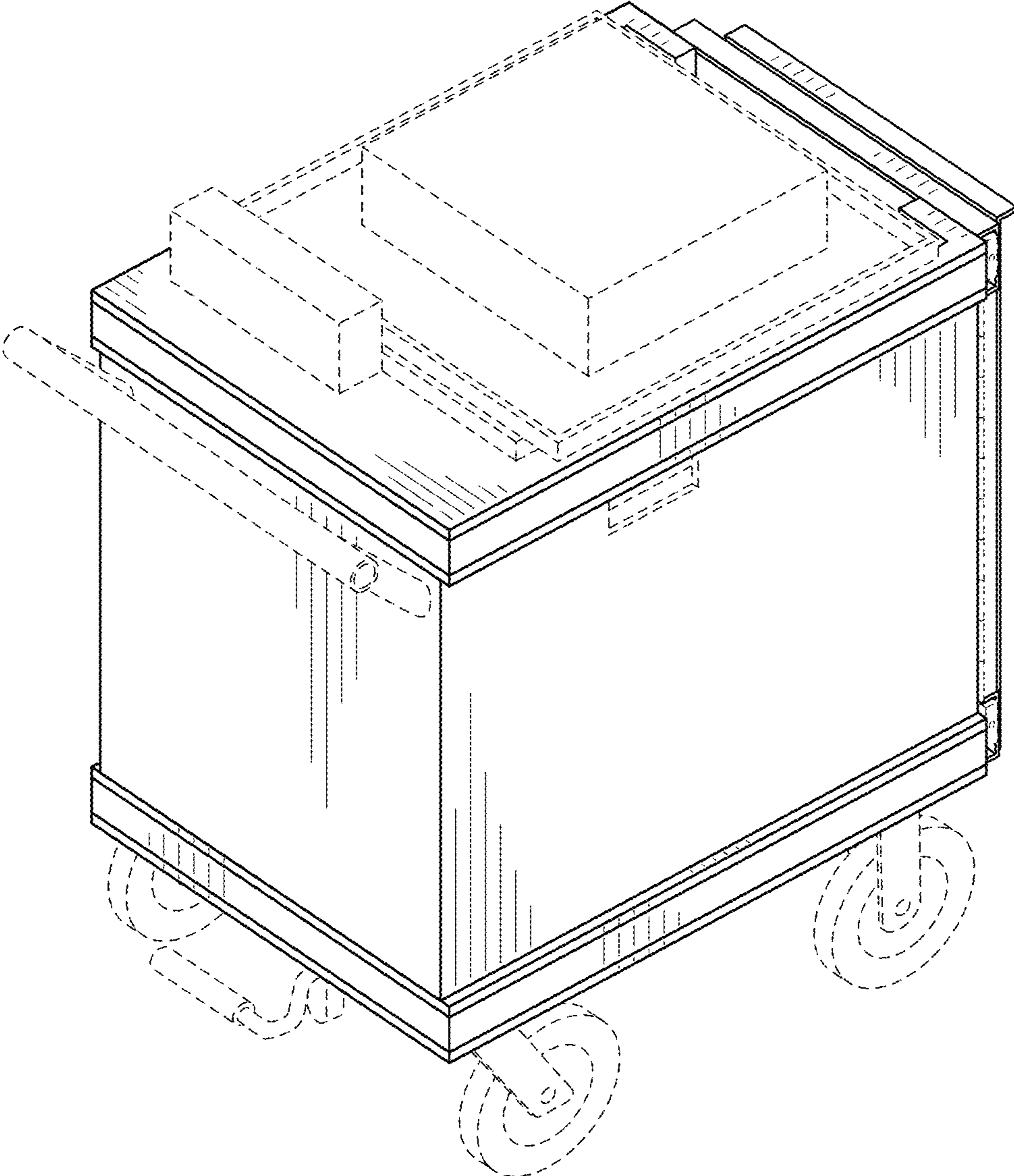


FIG. 2

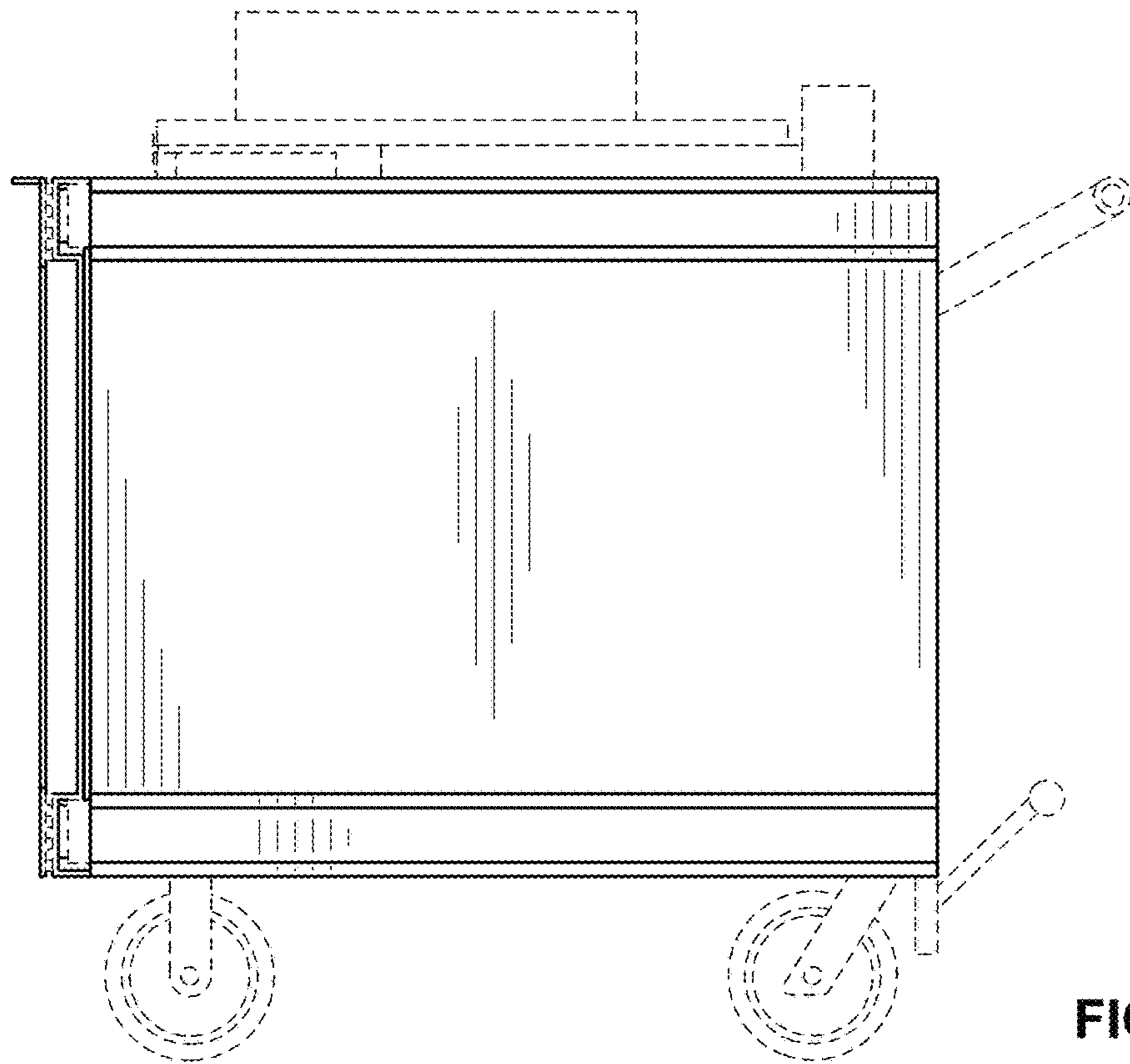


FIG. 3

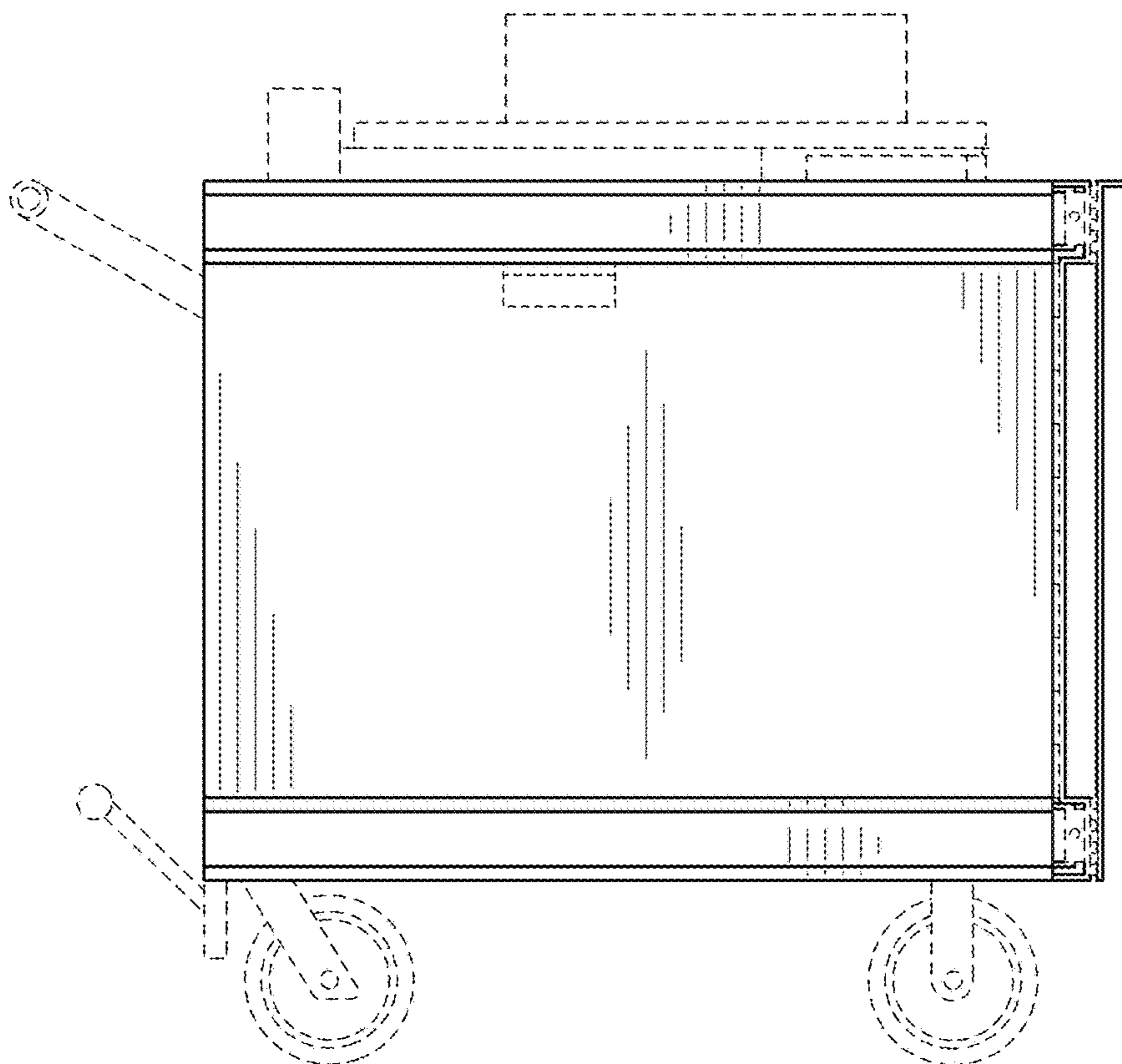


FIG. 4

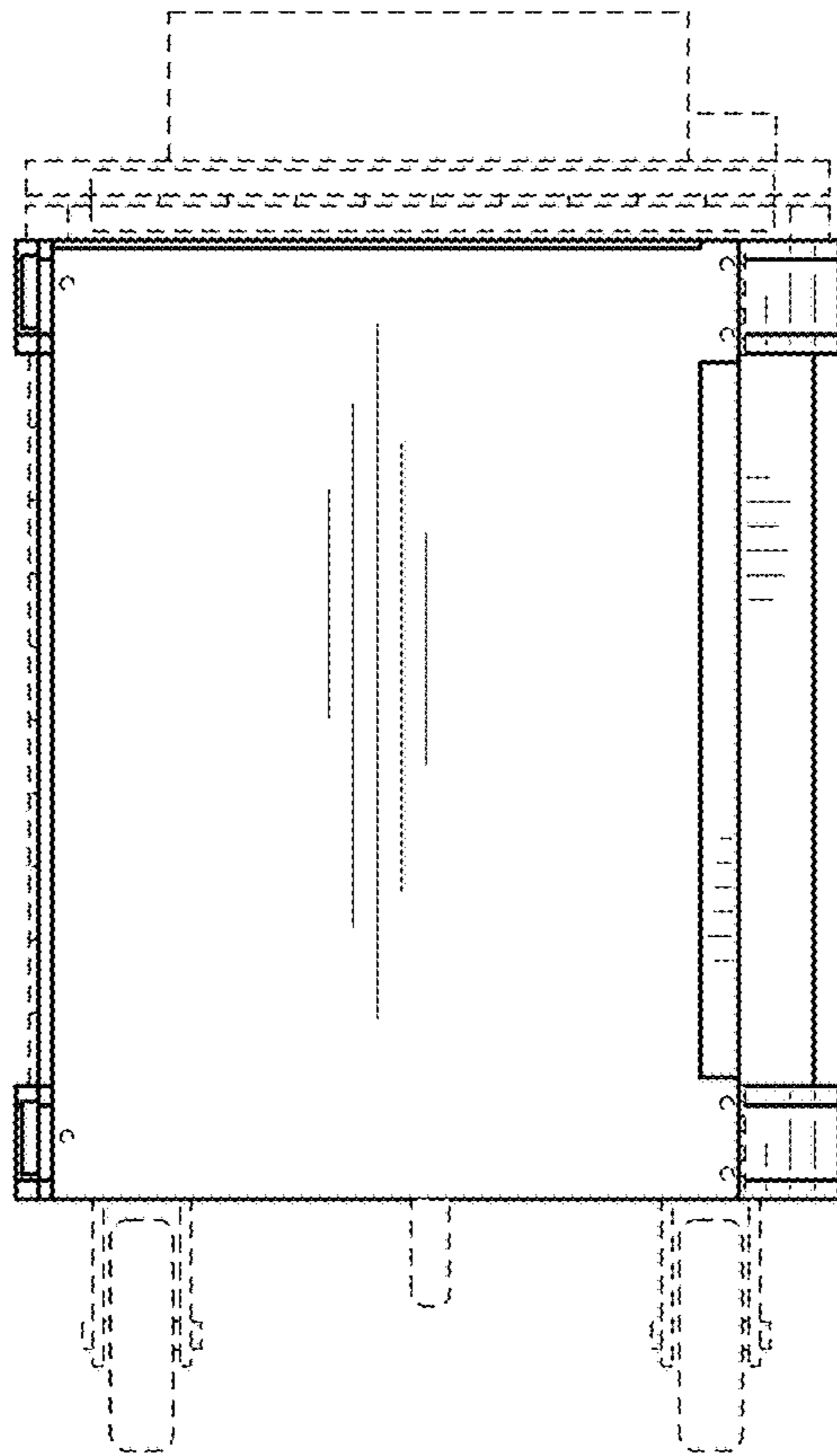


FIG. 5

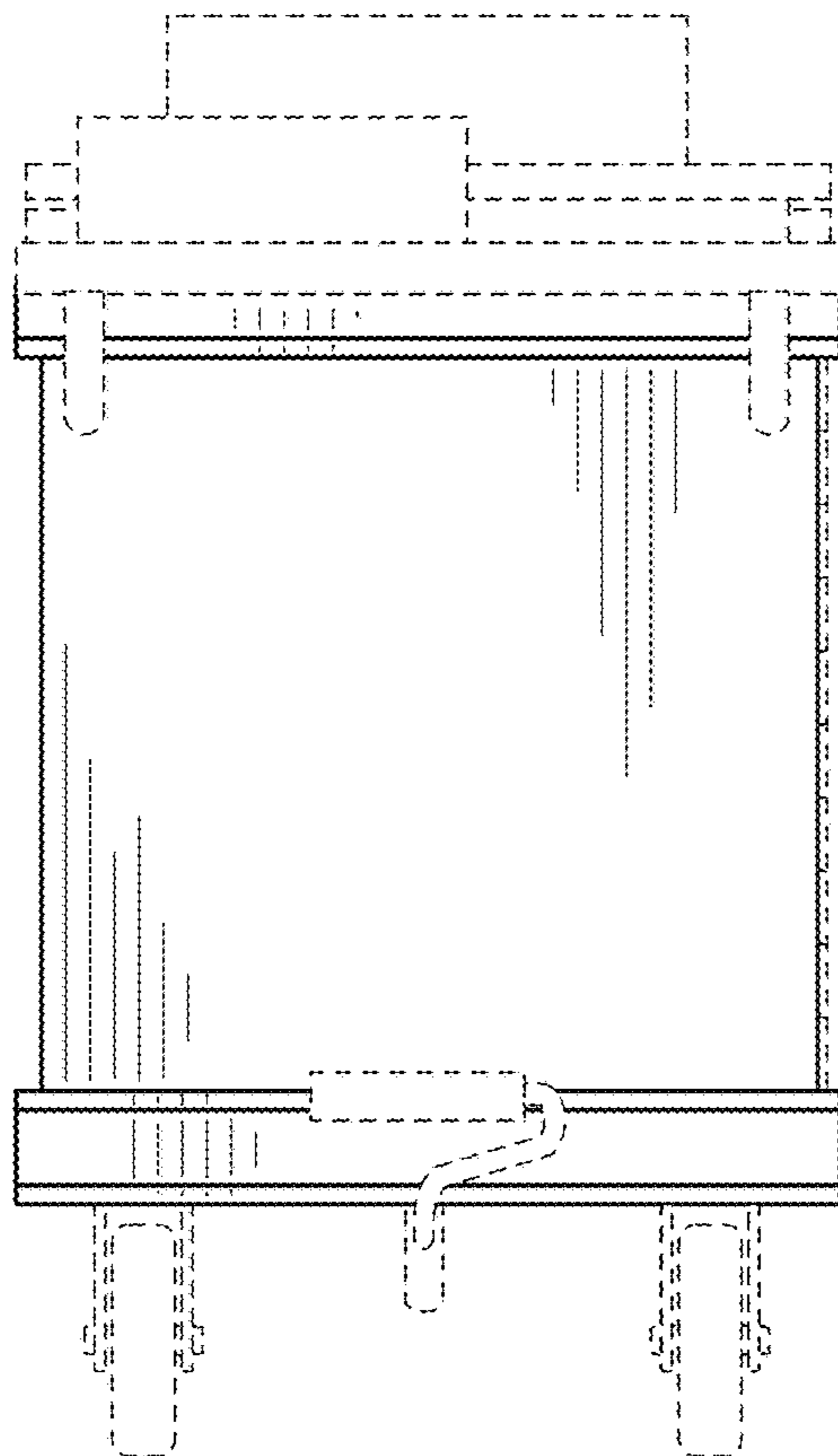


FIG. 6

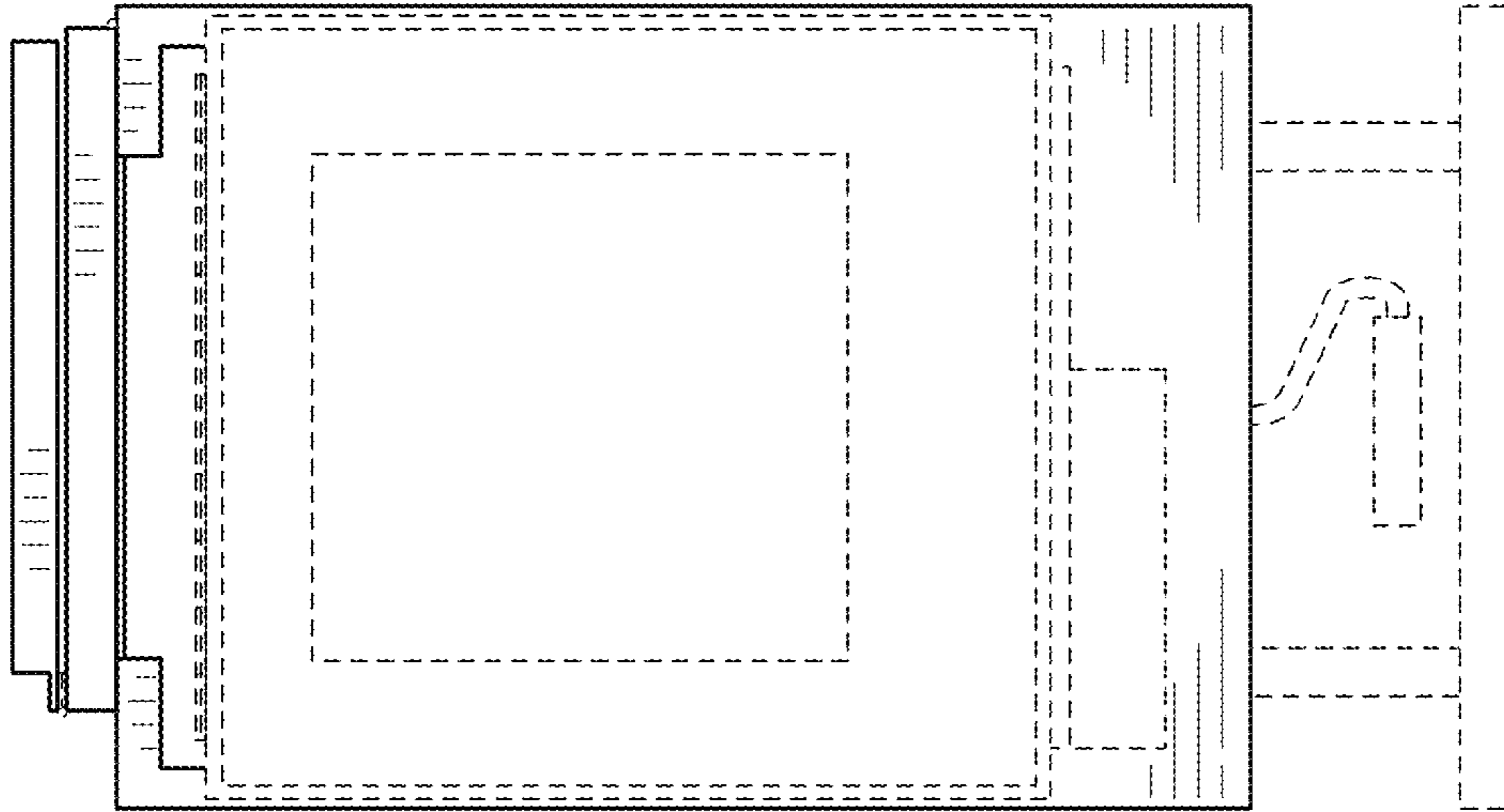


FIG. 7

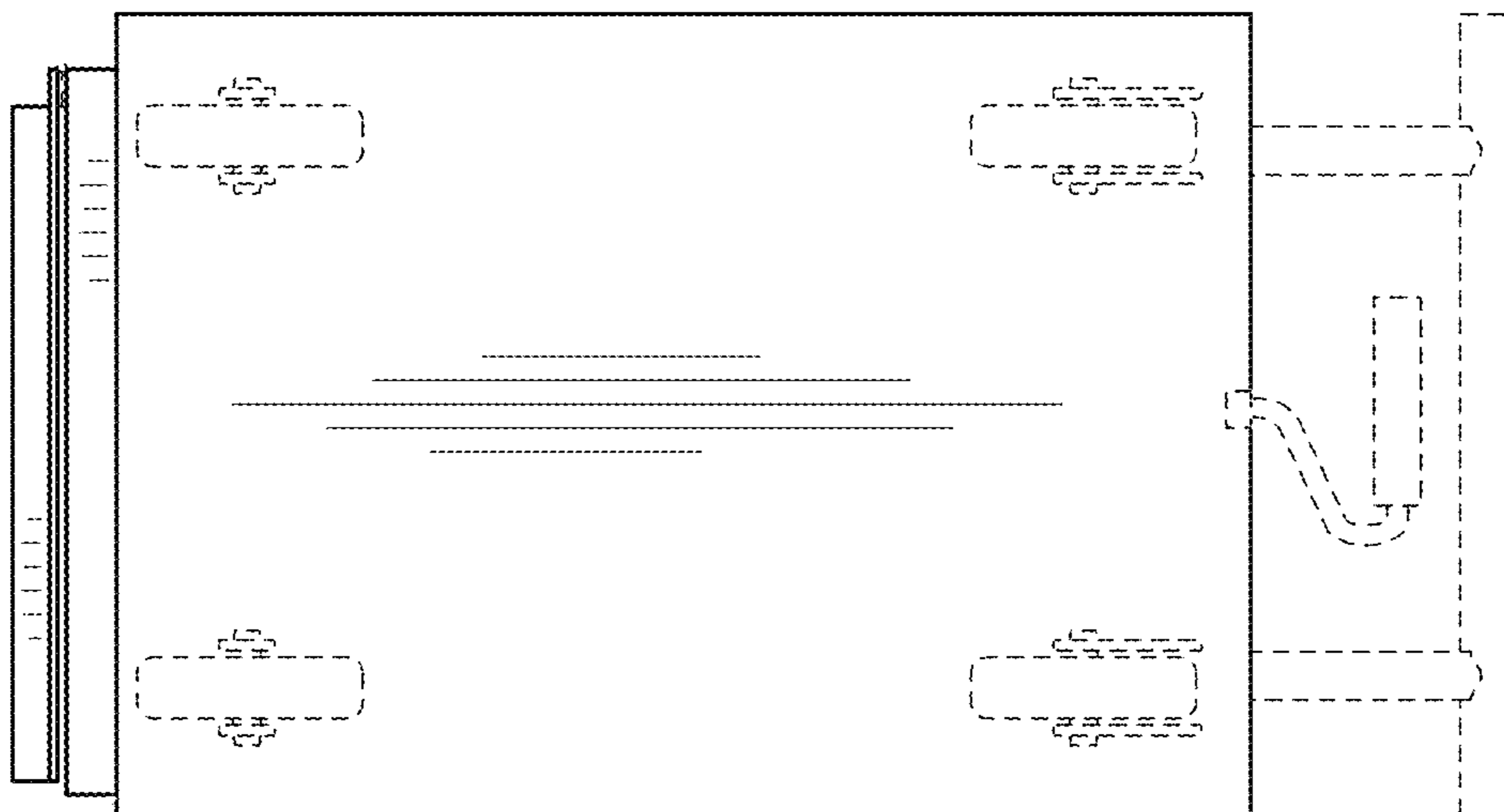


FIG. 8

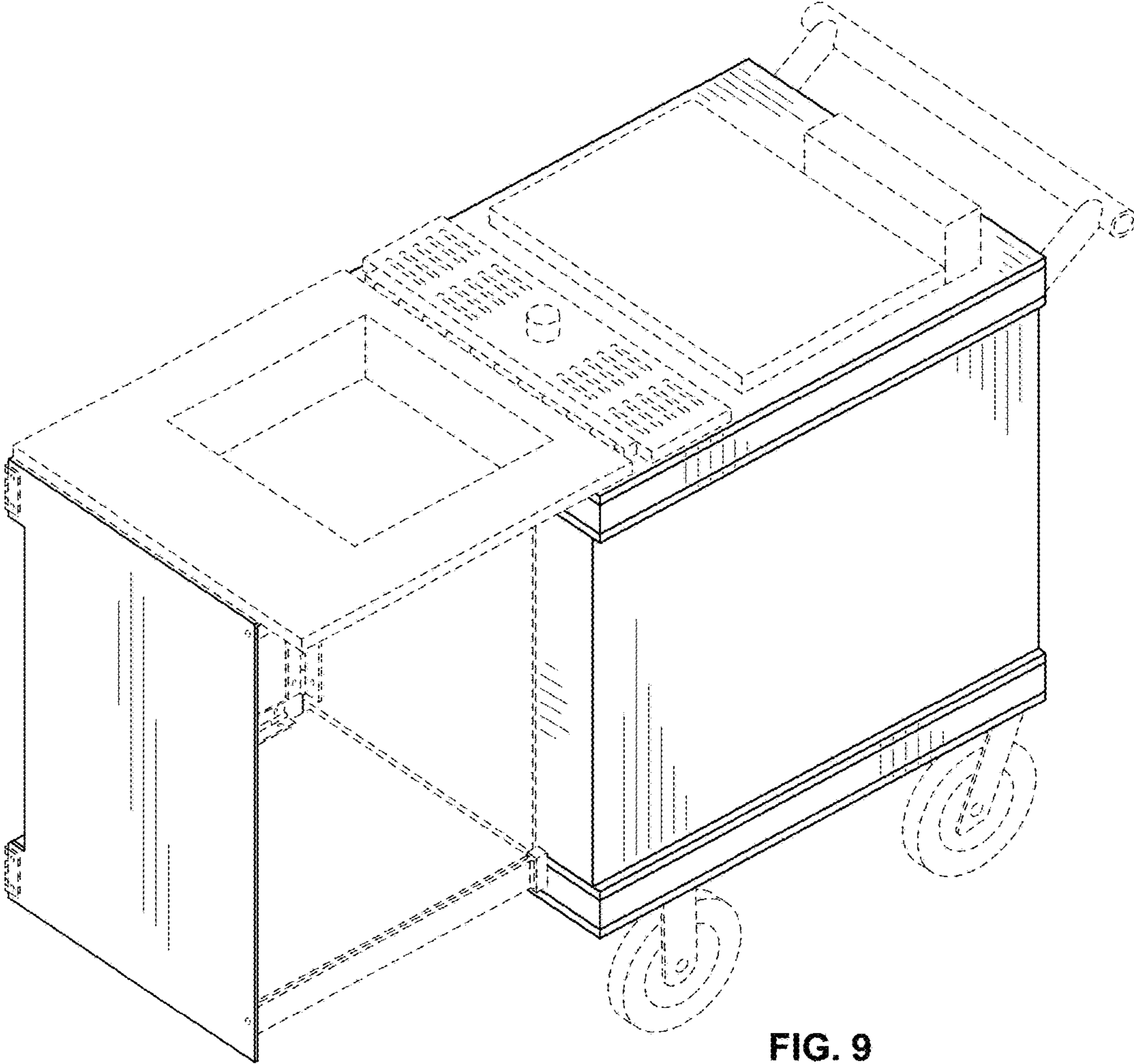


FIG. 9

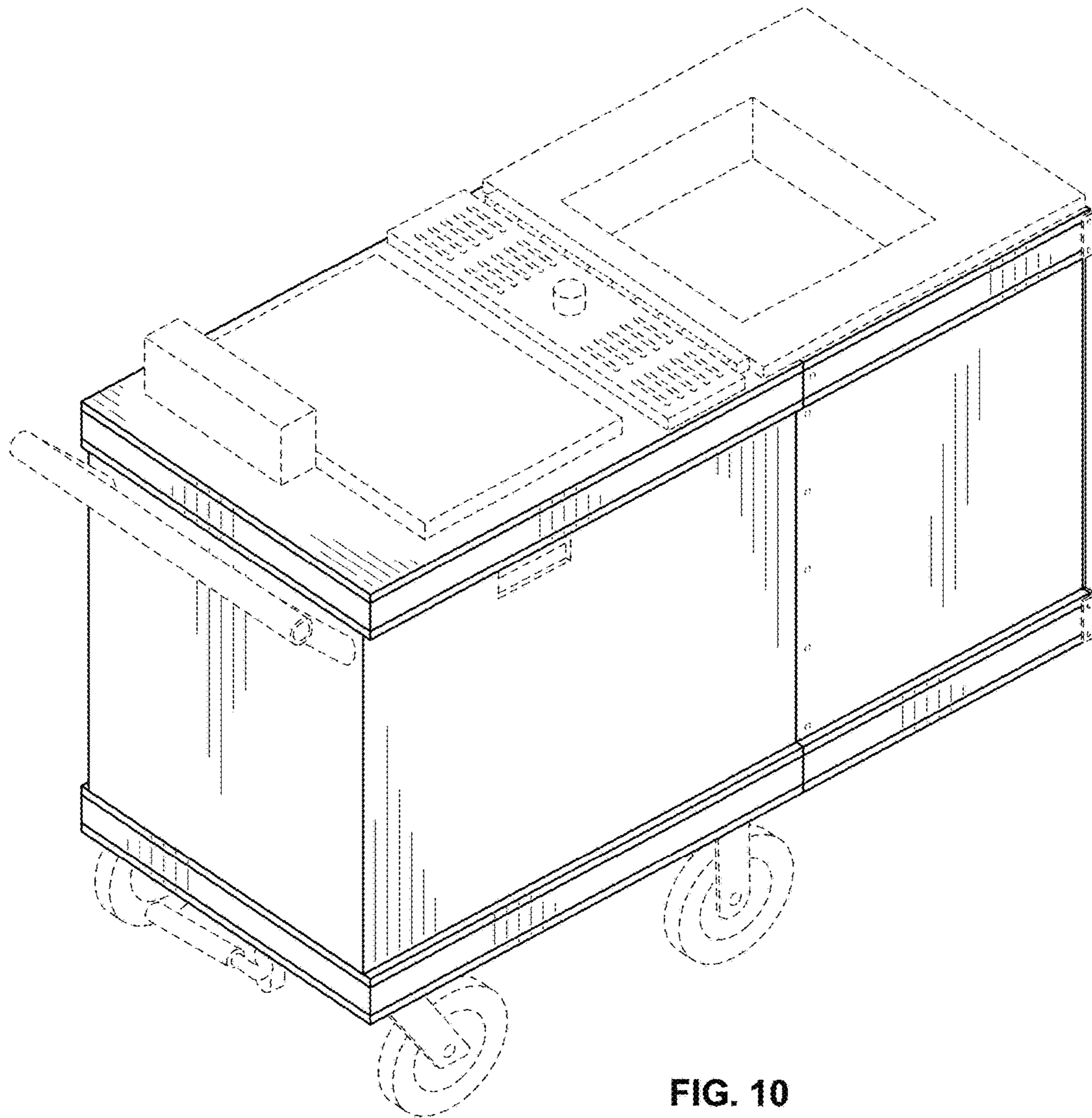


FIG. 10

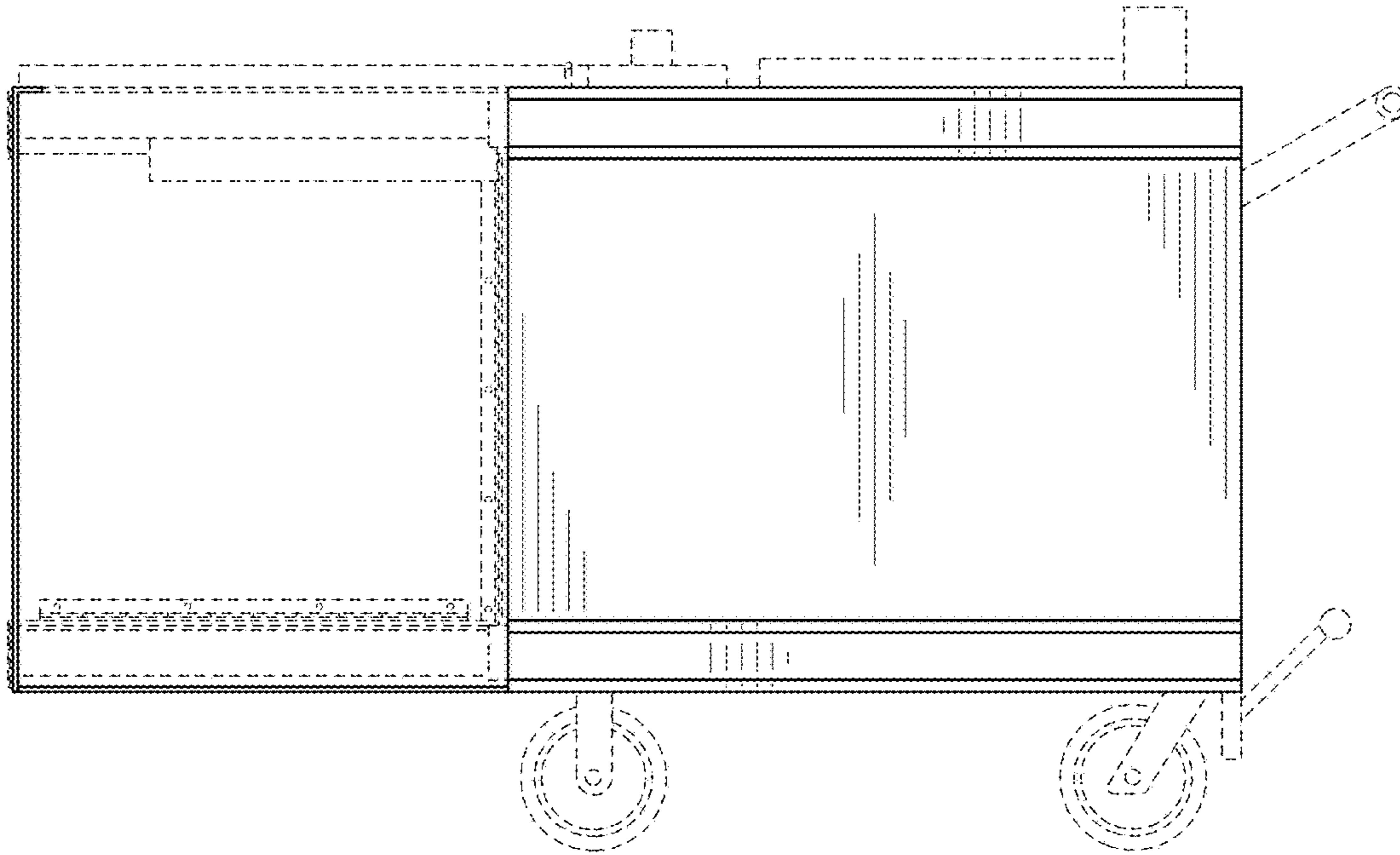


FIG. 11

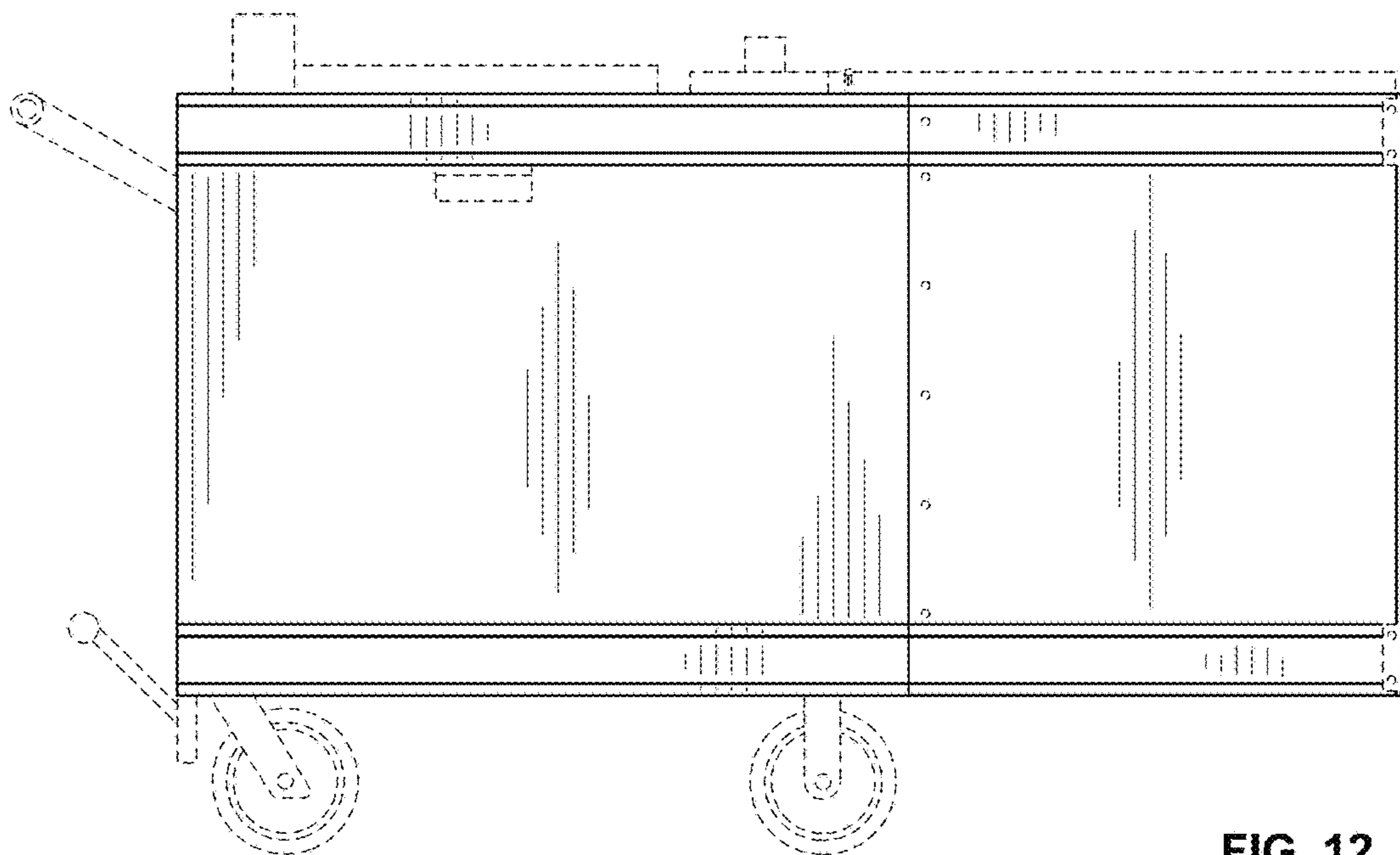


FIG. 12

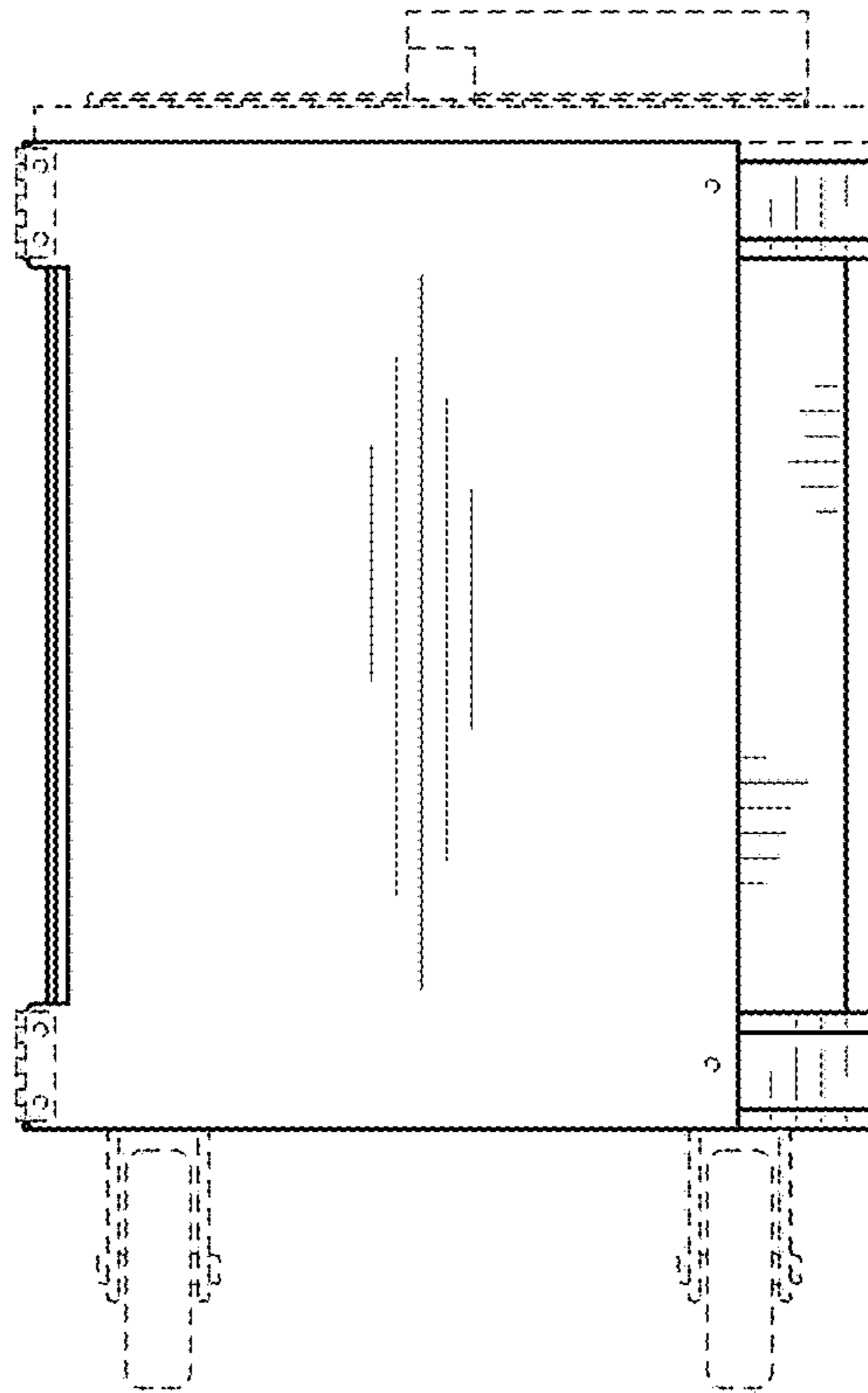


FIG. 13

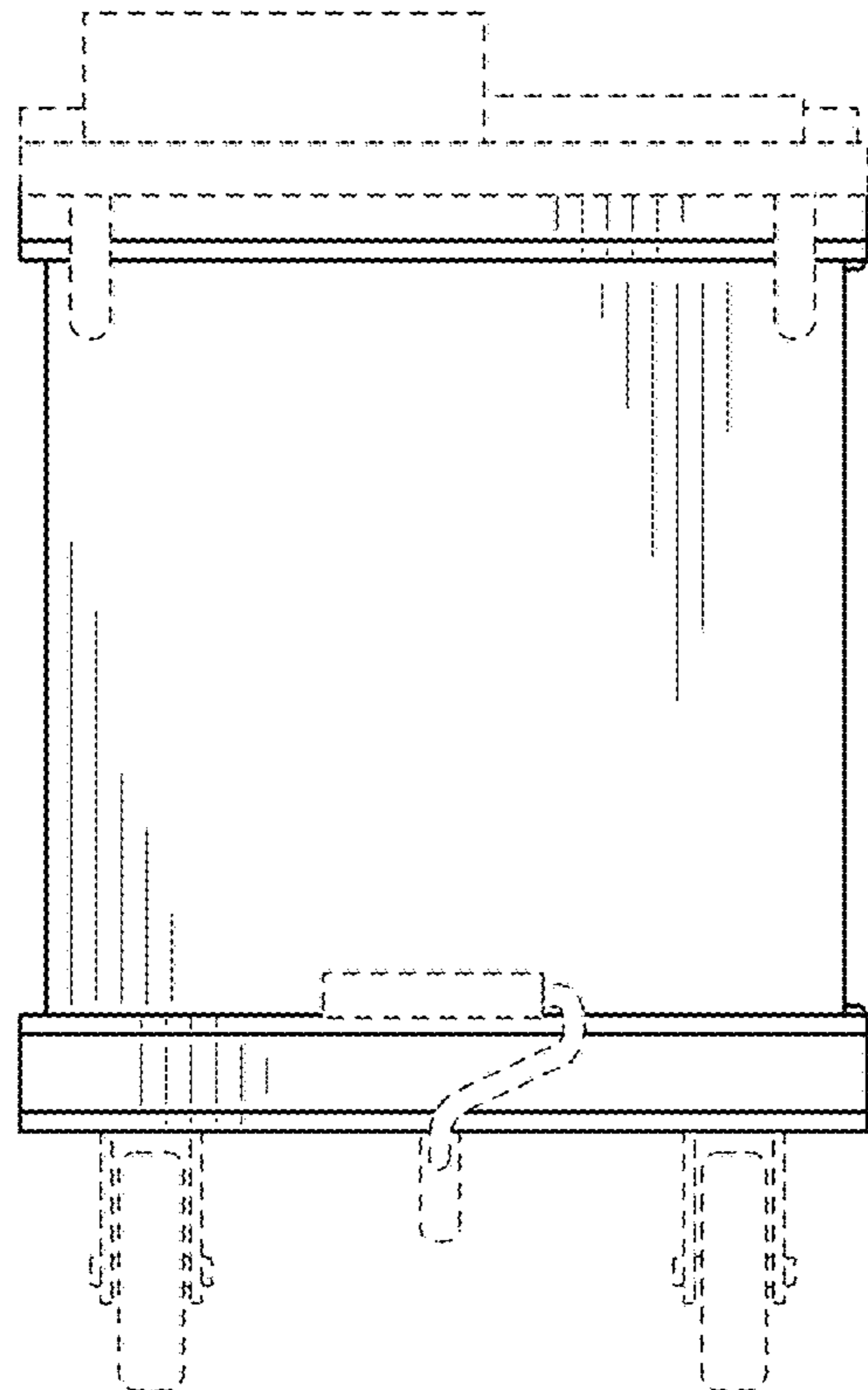


FIG. 14

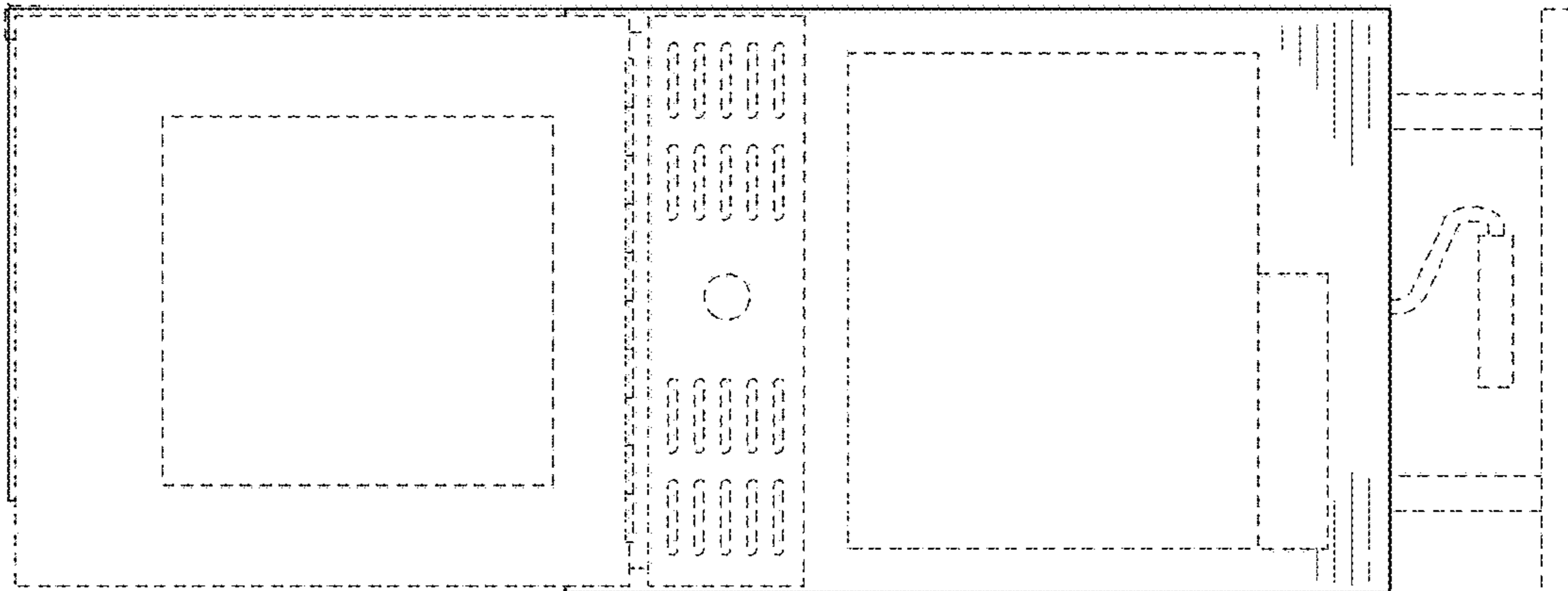


FIG. 15

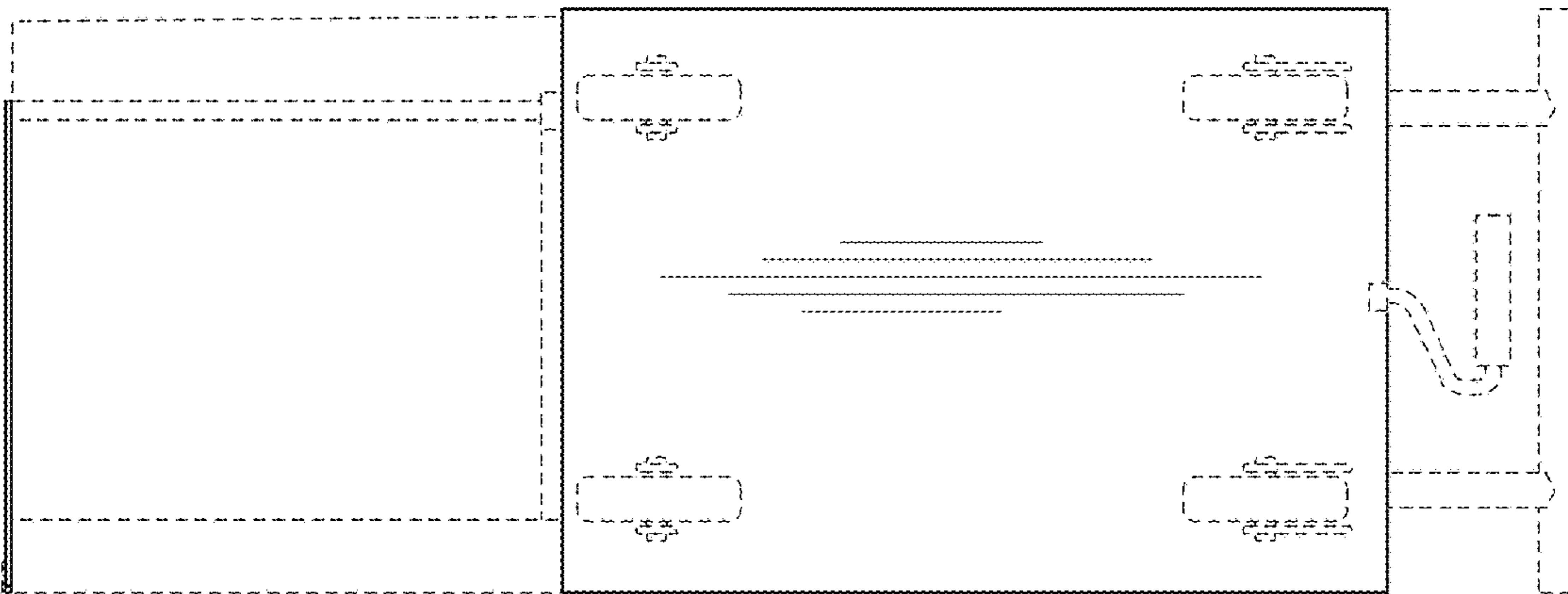


FIG. 16