



US00D796141S

(12) **United States Design Patent** (10) **Patent No.:** **US D796,141 S**
Miller et al. (45) **Date of Patent:** **** Aug. 29, 2017**

(54) **IRON**
(71) Applicant: **Spectrum Brands, Inc.**, Middleton, WI (US)
(72) Inventors: **Randy Scott Miller**, DeForest, WI (US); **Francisco Javier Barquin**, Madison, WI (US)
(73) Assignee: **Spectrum Brands, Inc.**, Middleton, WI (US)

D659,928 S 5/2012 Yan
D659,929 S 5/2012 Yan
D676,210 S * 2/2013 Sirard D32/70
D700,414 S 2/2014 Spatz
D712,109 S * 8/2014 Day D32/70
D715,012 S * 10/2014 Ringholm D32/70
D718,512 S * 11/2014 Whitney D32/70
D728,886 S * 5/2015 Whitney D32/70
D734,582 S * 7/2015 Umeda D32/70
D739,108 S * 9/2015 Orthey D32/70
D747,059 S * 1/2016 Esteve D32/70
(Continued)

(**) Term: **15 Years**

OTHER PUBLICATIONS

(21) Appl. No.: **29/549,891**
(22) Filed: **Dec. 29, 2015**
(51) **LOC (10) Cl.** **07-05**
(52) **U.S. Cl.**
USPC **D32/70**
(58) **Field of Classification Search**
USPC D32/71, 73, 72, 70, 69, 68, 35; D8/373, D8/349, 396, 30; D15/144, 144.2; D28/73; 219/231, 242, 229; 165/80.1; 126/414
CPC D06F 75/34; D06F 75/08; D06F 75/38; D06F 75/00; F22B 27/14; B08B 3/006
See application file for complete search history.

Black and Decker IR03V Easy Steam Iron, disclosure date unknown but prior to filing [online], [site visited Dec. 2015]. Available from Internet, <URL: <http://www.amazon.com/Black-Decker-IR03V-Steam-White/dp/B00A0UF1AO>>.

(Continued)

Primary Examiner — Austin Murphy
(74) *Attorney, Agent, or Firm* — Banner & Witcoff, Ltd.

(57) **CLAIM**

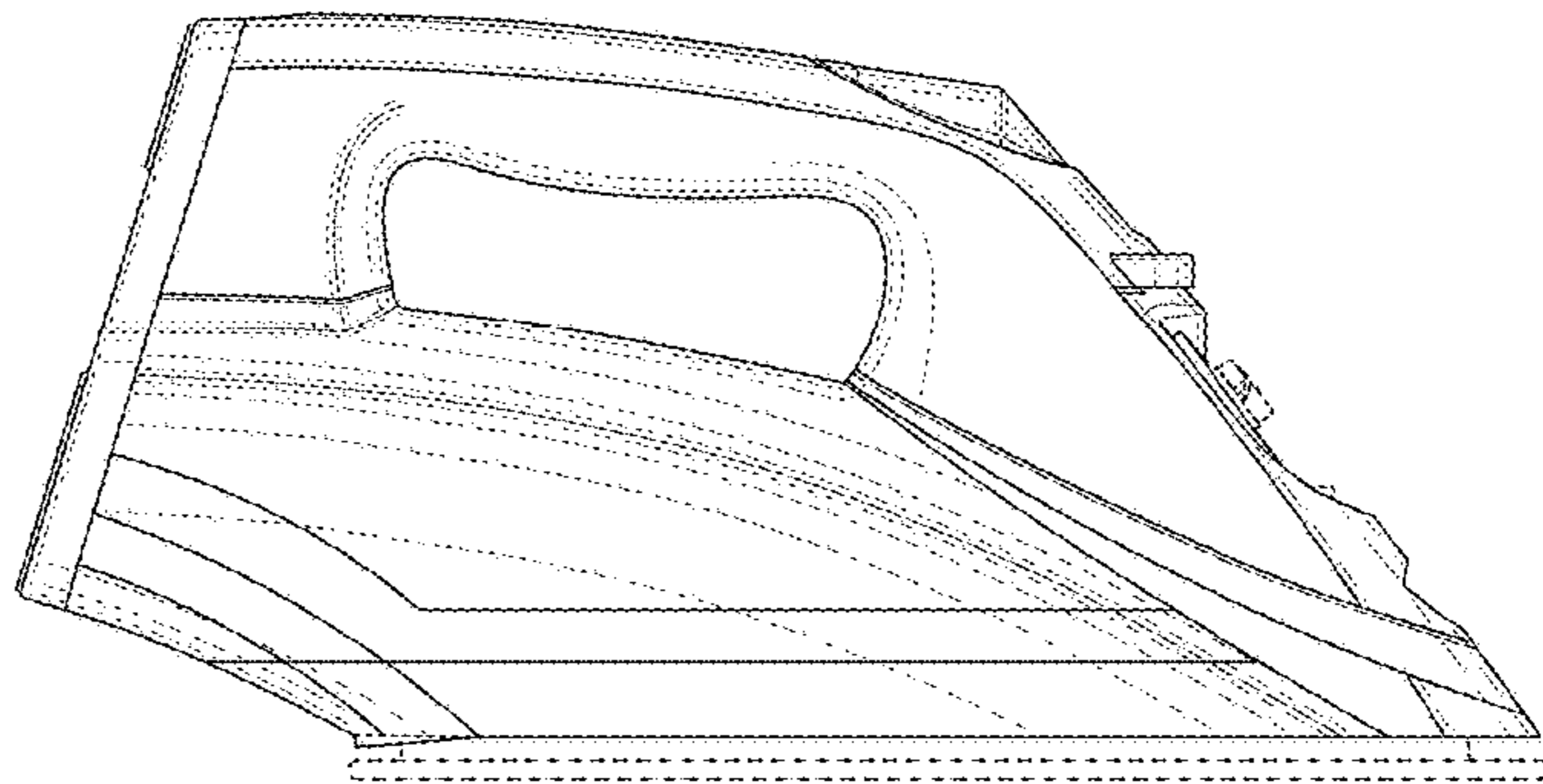
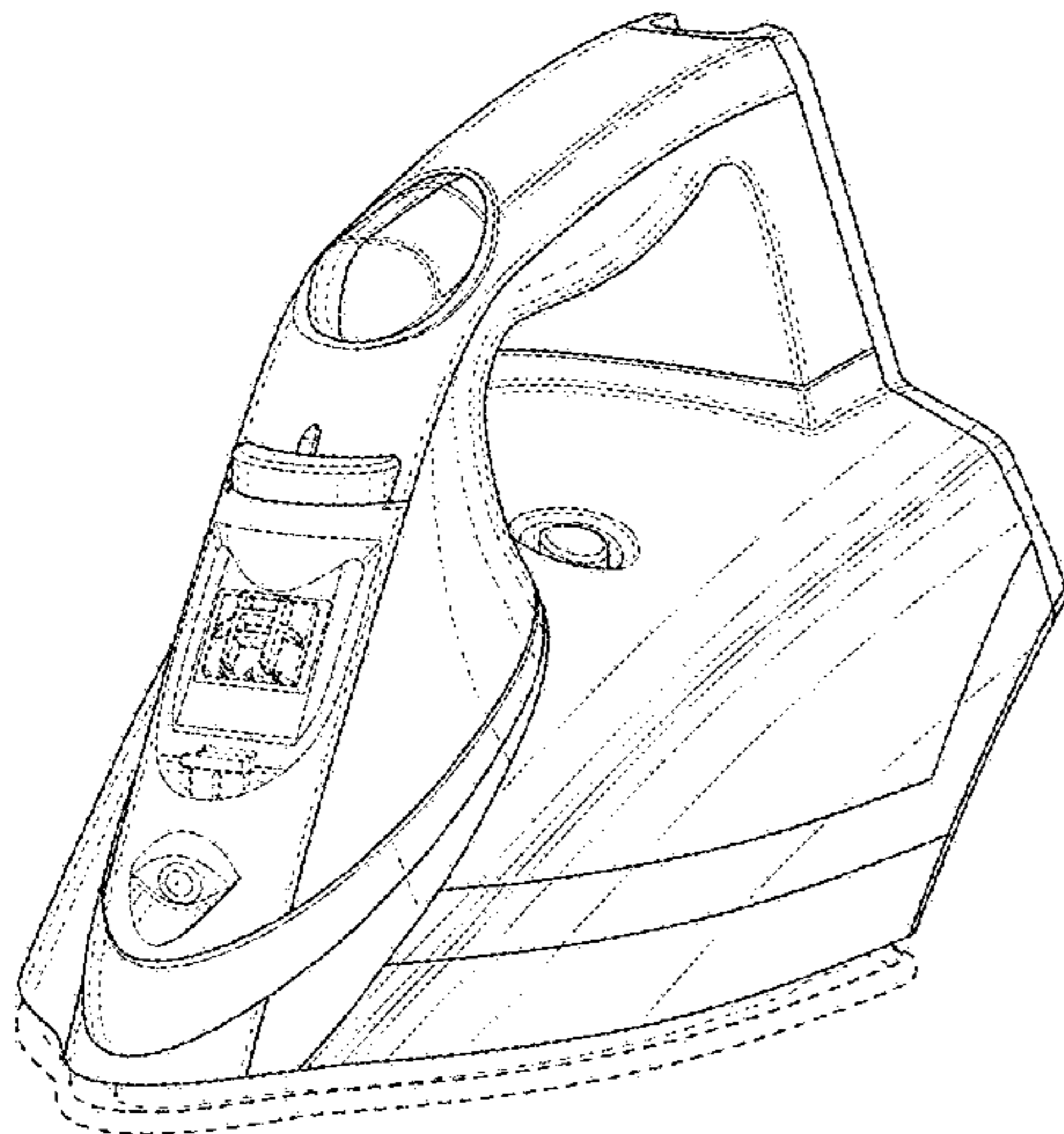
The ornamental design for an iron, as shown and described.

DESCRIPTION

FIG. 1 is a front perspective view of an iron showing our new design;
FIG. 2 is a left side view thereof;
FIG. 3 is a right side view thereof;
FIG. 4 is a rear view thereof;
FIG. 5 is a front view thereof;
FIG. 6 is a top view thereof; and,
FIG. 7 is a bottom view thereof.
The broken line showing of the various unshaded elements of the iron represents unclaimed subject matter and forms no part of the claimed design.

1 Claim, 7 Drawing Sheets

(56) **References Cited**
U.S. PATENT DOCUMENTS
D509,936 S * 9/2005 Barquin Santillan D32/70
D594,165 S * 6/2009 Mizoguchi D32/70
D594,166 S * 6/2009 Mizoguchi D32/70
D610,763 S 2/2010 Massip et al.
D610,764 S 2/2010 Massip et al.
D610,765 S 2/2010 Massip et al.
D624,266 S 9/2010 Massip et al.
D629,991 S * 12/2010 Day D32/70
D632,861 S 2/2011 Massip et al.
D635,316 S 3/2011 Massip et al.



(56)

References Cited

U.S. PATENT DOCUMENTS

D773,144 S * 11/2016 Tan D32/70

OTHER PUBLICATIONS

Black and Decker ICR07X Xpress Traditional Cord Reel Iron, disclosure date unknown but prior to filing [online], [site visited Dec. 2015]. Available from Internet, <URL: <http://www.blackanddeckerappliances.com/products/garment-care/traditional-irons/ICR07X-Xpress-Cord-Reel-Iron.aspx>>.

Black and Decker IR1070S Steam Advantage Iron, disclosure date unknown but prior to filing [online], [site visited Dec. 2015]. Available from Internet, <URL: <http://www.amazon.com/Black-Decker-IR1070S-Advantage-Stainless/dp/B004T0BJ9I>>.

Black and Decker ICR30X Xpress Steam Cord Reel Iron, disclosure date unknown but prior to filing [online], [site visited Dec. 2015]. Available from Internet, <URL: <http://www.blackanddeckerappliances.com/products/garment-care/taditional-irons/ICR30X-Xpress-Steam-Cord-Reel-Iron.aspx>>.

Black and Decker IR05X Xpress Traditional Steam Iron, disclosure date unknown but prior to filing [online], [site visited Dec. 2015]. Available from Internet <URL: <http://www.blackanddeckerappliances.com/products/garment-care/taditional-irons/IR05X-Xpress-Traditional-Steam-Iron.aspx>>.

Black and Decker IR08X Xpress Steam Iron, disclosure date unknown but prior to filing [online], [site visited Dec. 2015]. Available from Internet <URL: <http://www.blackanddeckerappliances.com/products/garment-care/traditional-irons/xpress-steam-iron-ir08x.aspx>>.

Black and Decker IR34V Corded Easy Steam Iron, disclosure date unknown but prior to filing [online], [site visited Dec. 2015]. Available from Internet <URL: <http://www.walmart.com/ip/Black-Decker-Corded-Easy-Steam-Iron-Lime-Green/23745966>>.

Black and Decker ICR05X Xpress Steam Cord Reel Iron, disclosure date unknown but prior to filing [online], [site visited Dec. 2015]. Available from Internet <URL: <http://www.blackanddeckerappliances.com/products/garment-care/taditional-irons/icr05x-xpress-steam-cord-reel-iron.aspx>>.

* cited by examiner

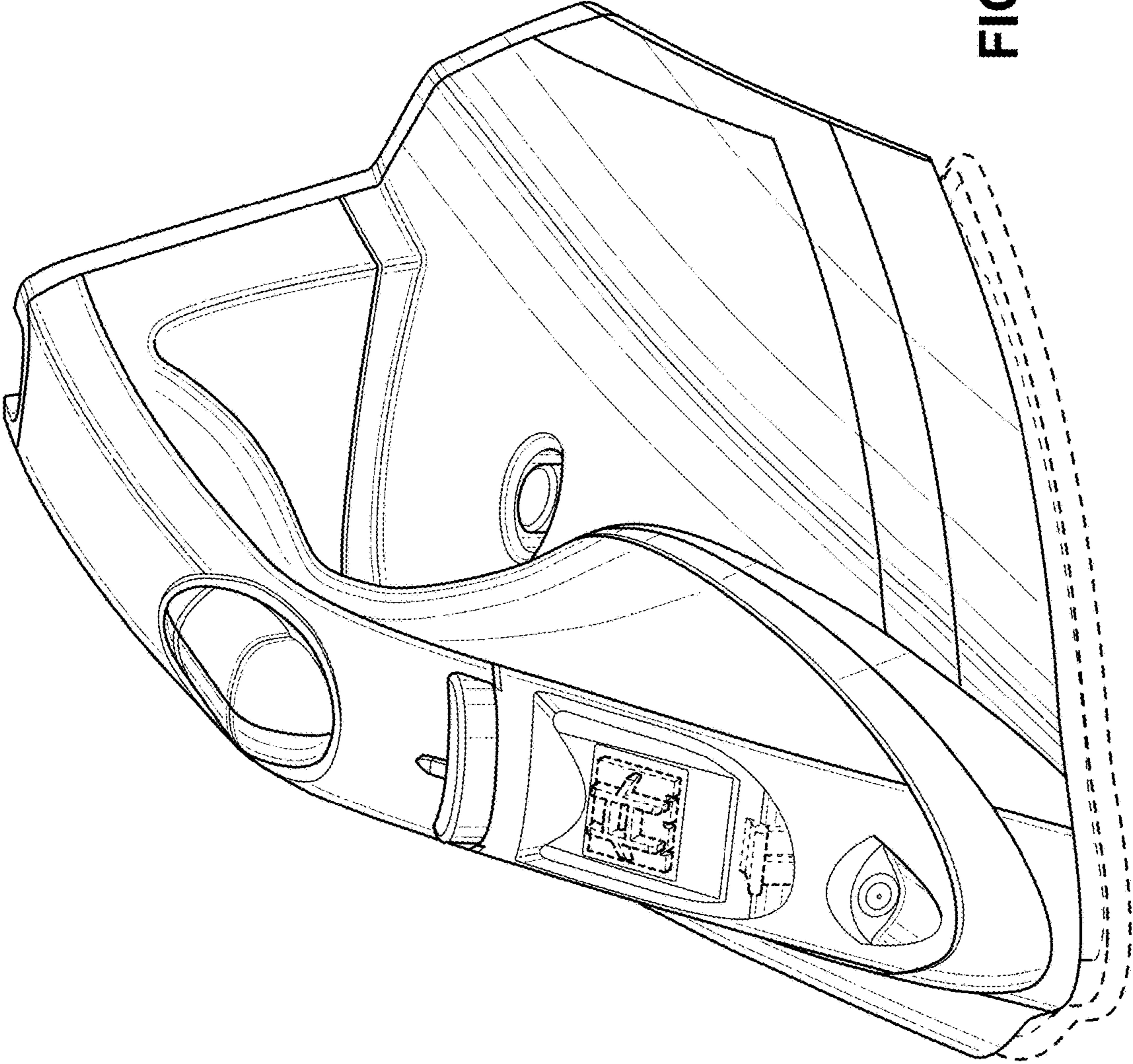


FIG. 1

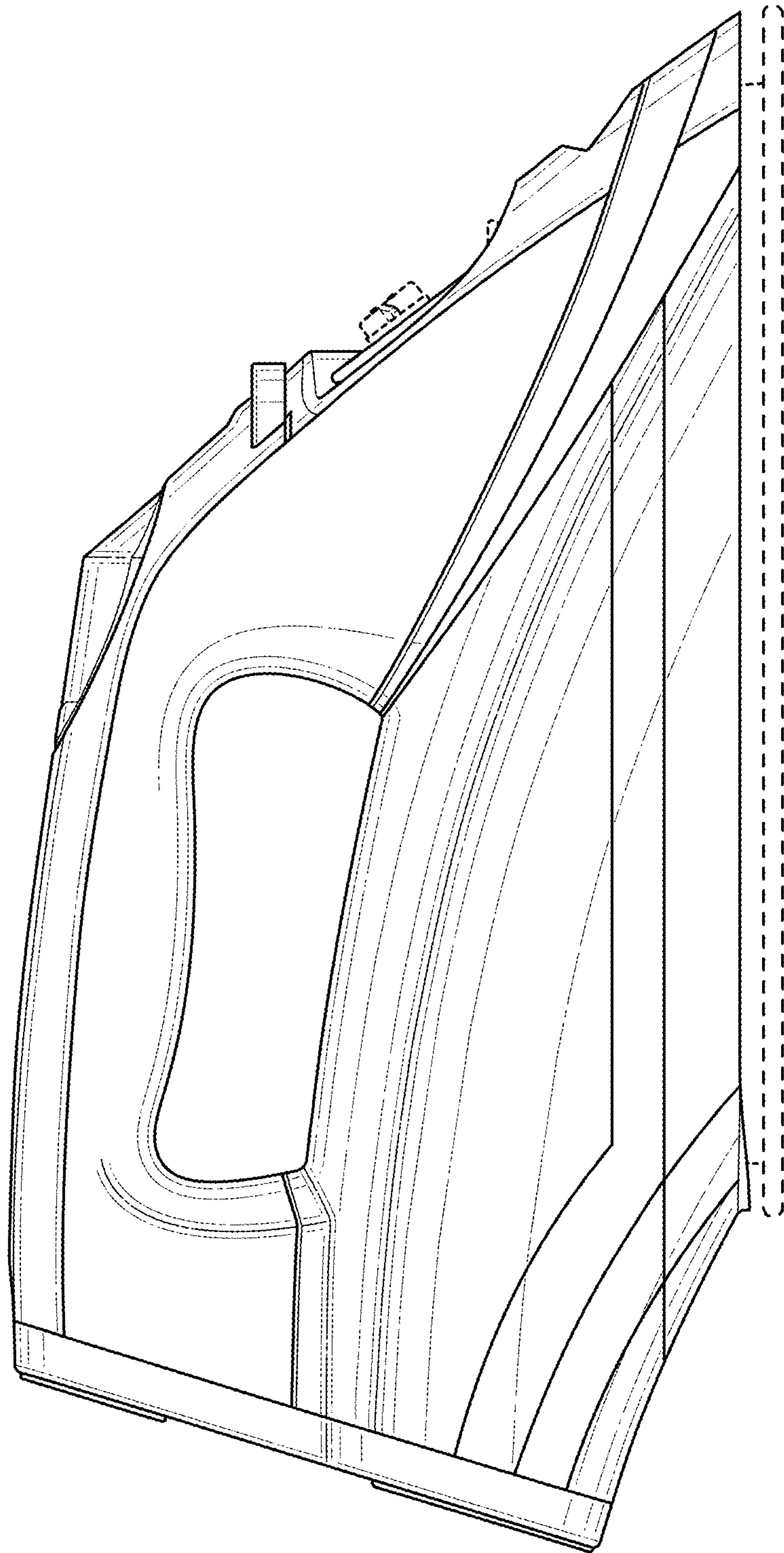


FIG. 2

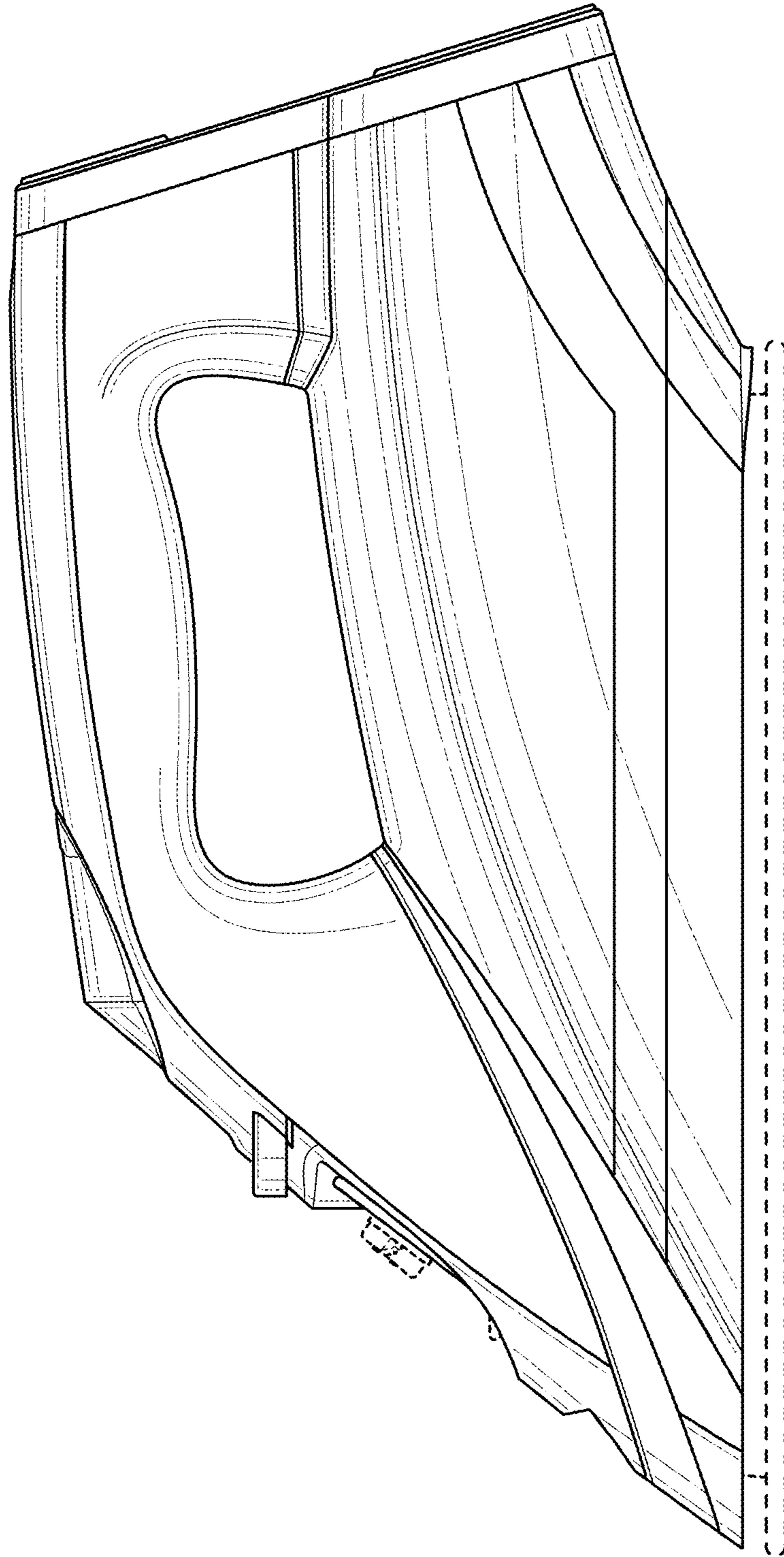


FIG. 3

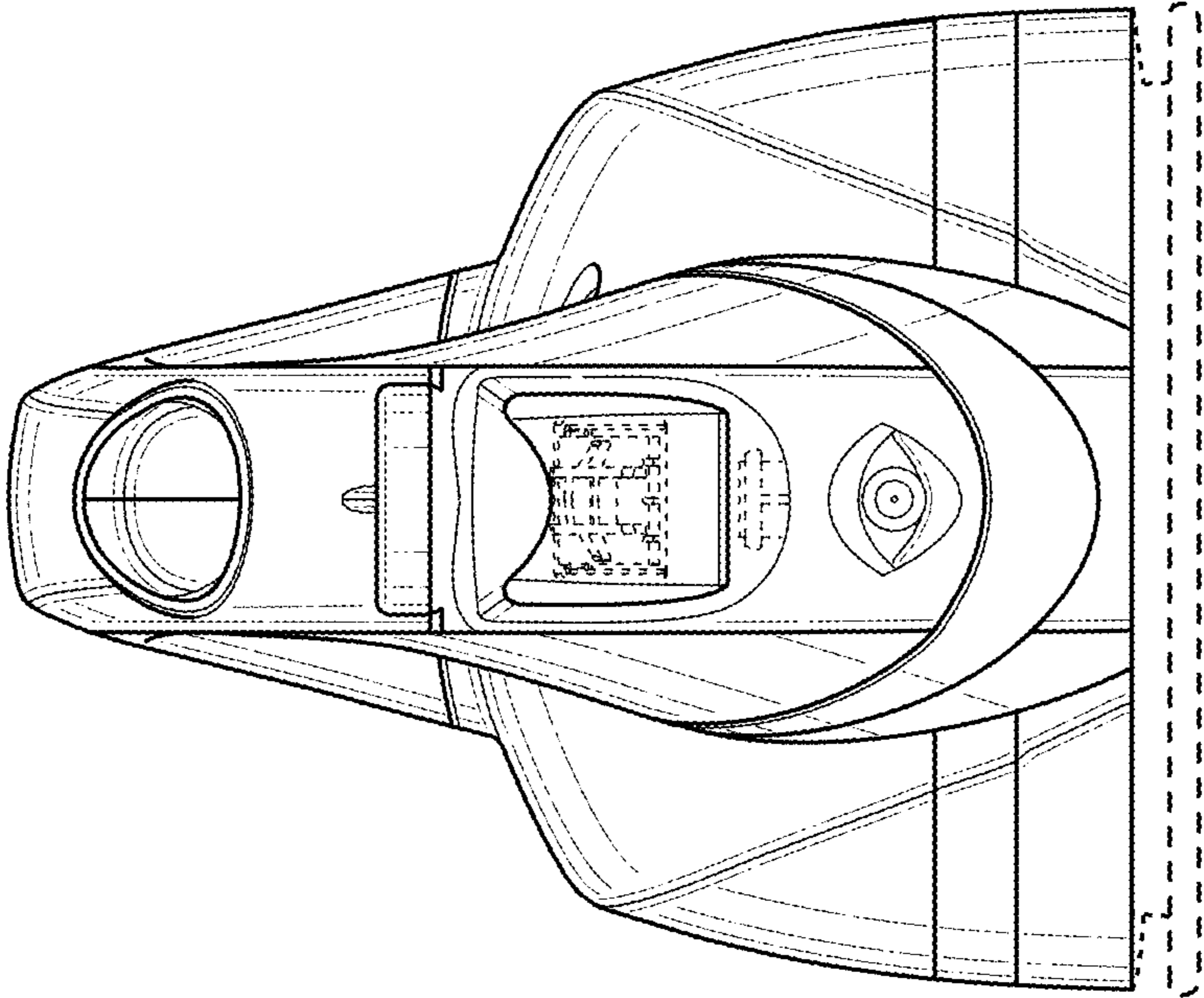


FIG. 4

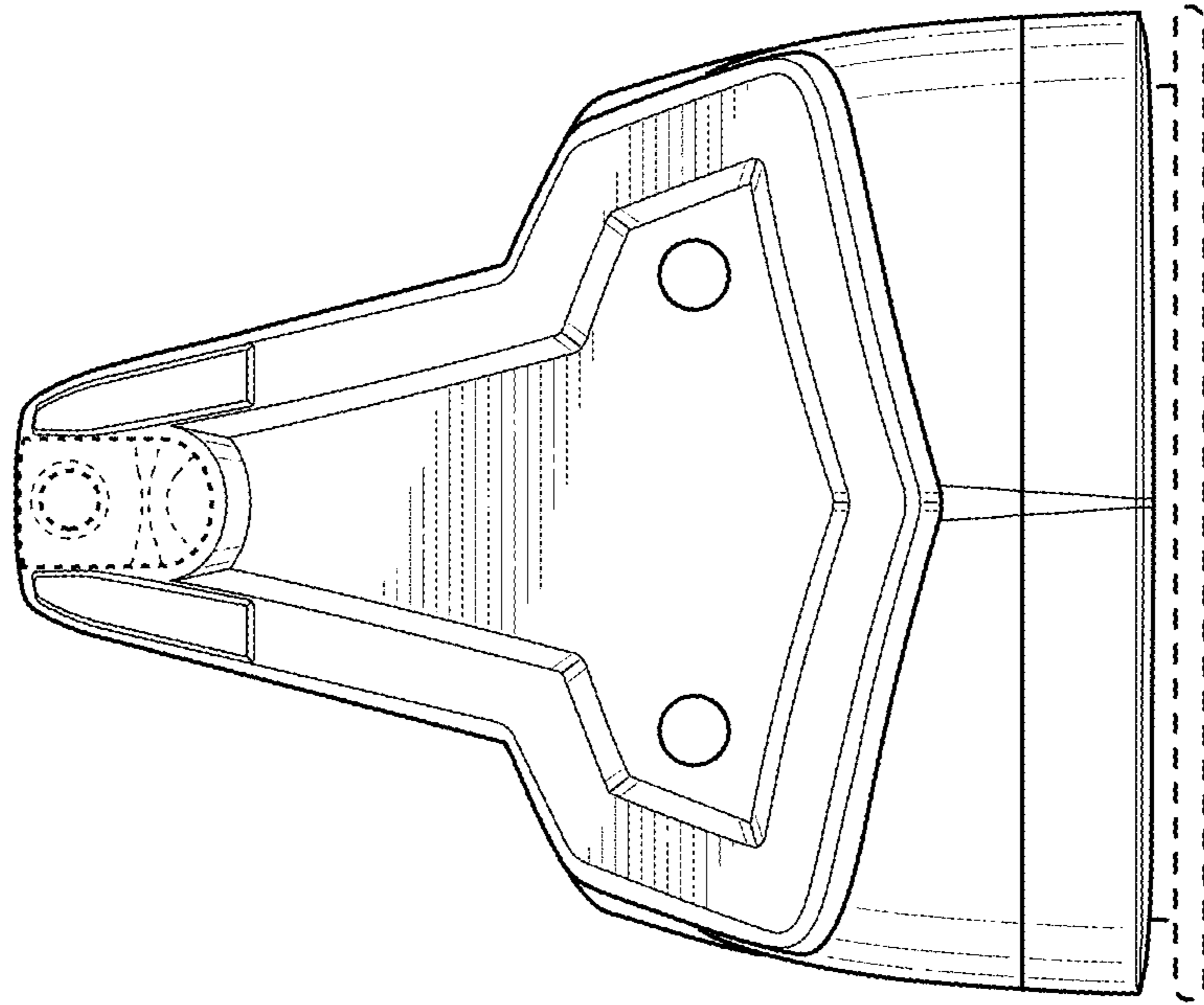


FIG. 5

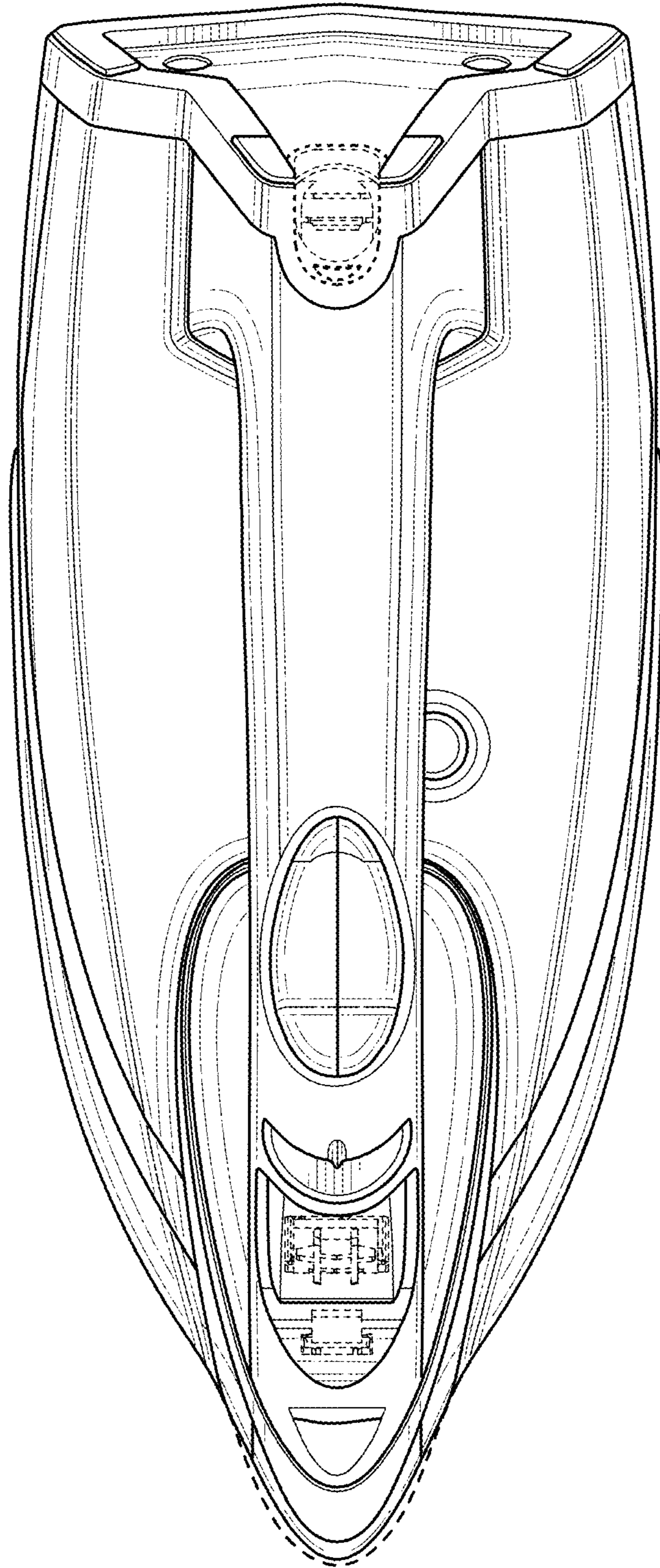


FIG. 6

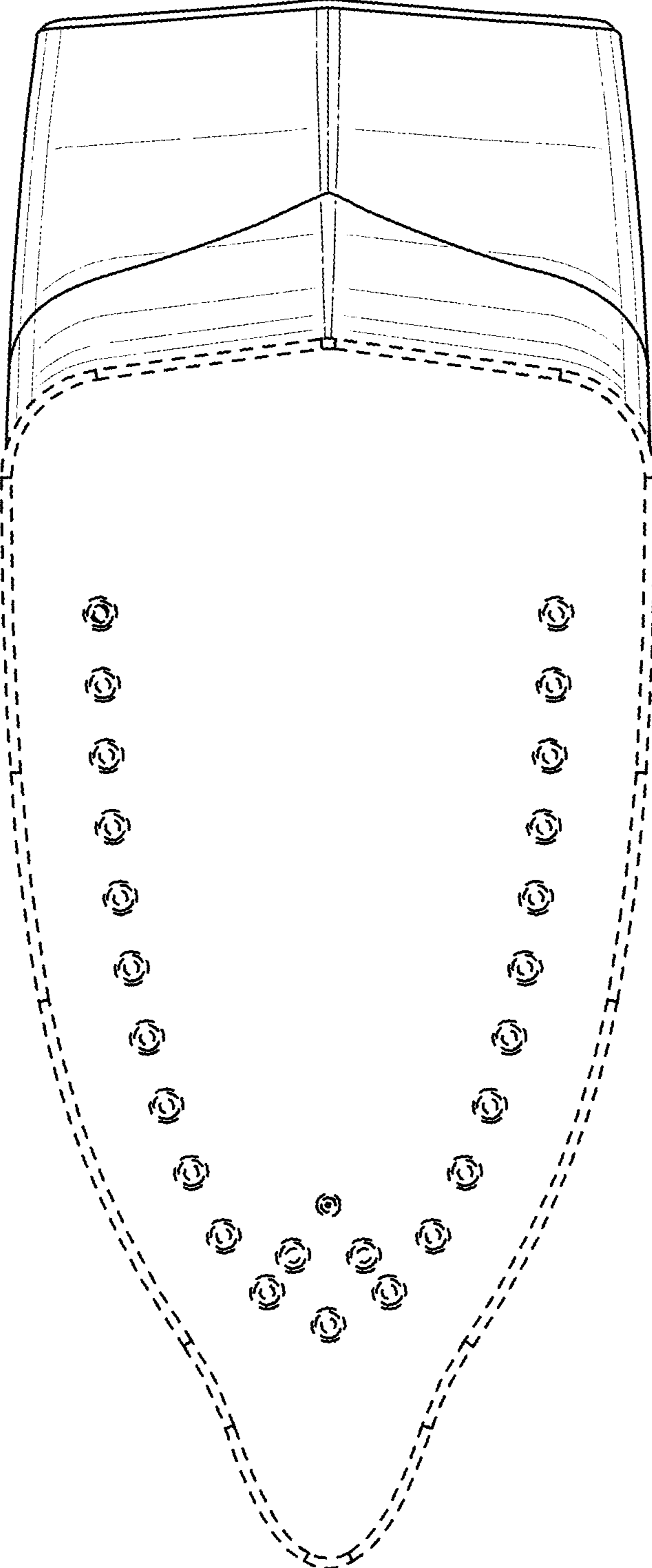


FIG. 7