



US00D796139S

(12) **United States Design Patent**  
**Fortier et al.**

(10) **Patent No.:** **US D796,139 S**

(45) **Date of Patent:** **\*\* Aug. 29, 2017**

(54) **PUSH BROOM**

(71) Applicant: **GARANT GP**, Saint-François (CA)

(72) Inventors: **Nicola Fortier**, Lévis (CA); **David Boies**, Lévis (CA)

(73) Assignee: **GARANT GP**, Saint-François (CA)

(\*\*) Term: **15 Years**

(21) Appl. No.: **29/561,687**

(22) Filed: **Apr. 19, 2016**

(51) **LOC (10) Cl.** ..... **07-05**

(52) **U.S. Cl.**  
USPC ..... **D32/50**

(58) **Field of Classification Search**  
USPC ..... D32/40-45, 50-52  
CPC ..... A01K 63/04; E21B 10/02; A47L 13/16;  
A47L 13/12; A47L 13/22; B05B 15/06  
See application file for complete search history.

(56) **References Cited**

**U.S. PATENT DOCUMENTS**

94,728 A	9/1869	Broom	
490,472 A	1/1893	Clements	
624,310 A	5/1899	Eck	
647,225 A	4/1900	Gragam	
728,332 A *	5/1903	Thomas	..... A47L 13/12 15/116.1
950,012 A	2/1910	Bender	
1,134,076 A	3/1915	Hipkins	
1,402,485 A	1/1922	Fredriksen et al.	
1,899,845 A	2/1933	Benedict	
1,922,998 A	8/1933	Williams	
2,648,860 A *	8/1953	Le Febvre	..... A46D 7/00 15/171
2,742,658 A	4/1956	Sproston	
3,084,369 A	4/1963	Hawkins	
3,218,662 A	11/1965	Fielder, Jr.	
3,256,048 A	6/1966	Rea	
3,619,845 A *	11/1971	Partidge et al.	..... A46B 17/08 15/117
3,682,516 A	8/1972	Savage	

3,733,636 A 5/1973 Kawa  
3,795,933 A \* 3/1974 Seufert ..... A47L 13/12  
15/114

3,891,339 A 6/1975 Jeffers  
D270,971 S \* 10/1983 Stevens ..... D4/132  
(Continued)

**FOREIGN PATENT DOCUMENTS**

CA 757788 A 5/1967  
CA 1043963 A 12/1978  
(Continued)

**OTHER PUBLICATIONS**

Amazon.com: Rubber Broom by Ravmag—Built-in Squeegee Edge, oldest review Jan. 19, 2012, site visited May 1, 2017, [https://www.amazon.com/Squeegee-Bristles-cleaning-hardwood-Resistant/dp/B005CSPP6E/ref=cm\\_cr\\_arp\\_d\\_product\\_top?ie=UTF8](https://www.amazon.com/Squeegee-Bristles-cleaning-hardwood-Resistant/dp/B005CSPP6E/ref=cm_cr_arp_d_product_top?ie=UTF8).\*

(Continued)

*Primary Examiner* — John Windmuller

*Assistant Examiner* — John R Yeh

(74) *Attorney, Agent, or Firm* — Gwendoline Bruneau

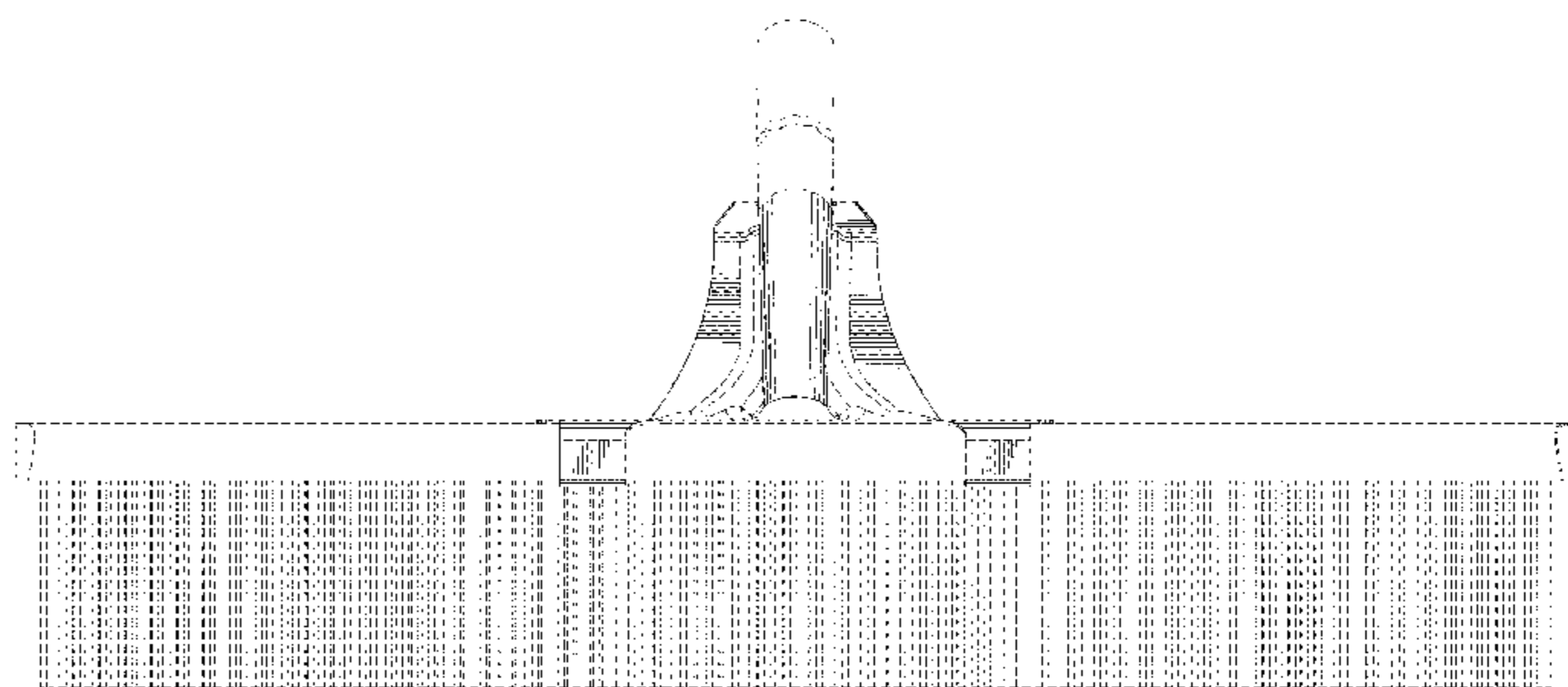
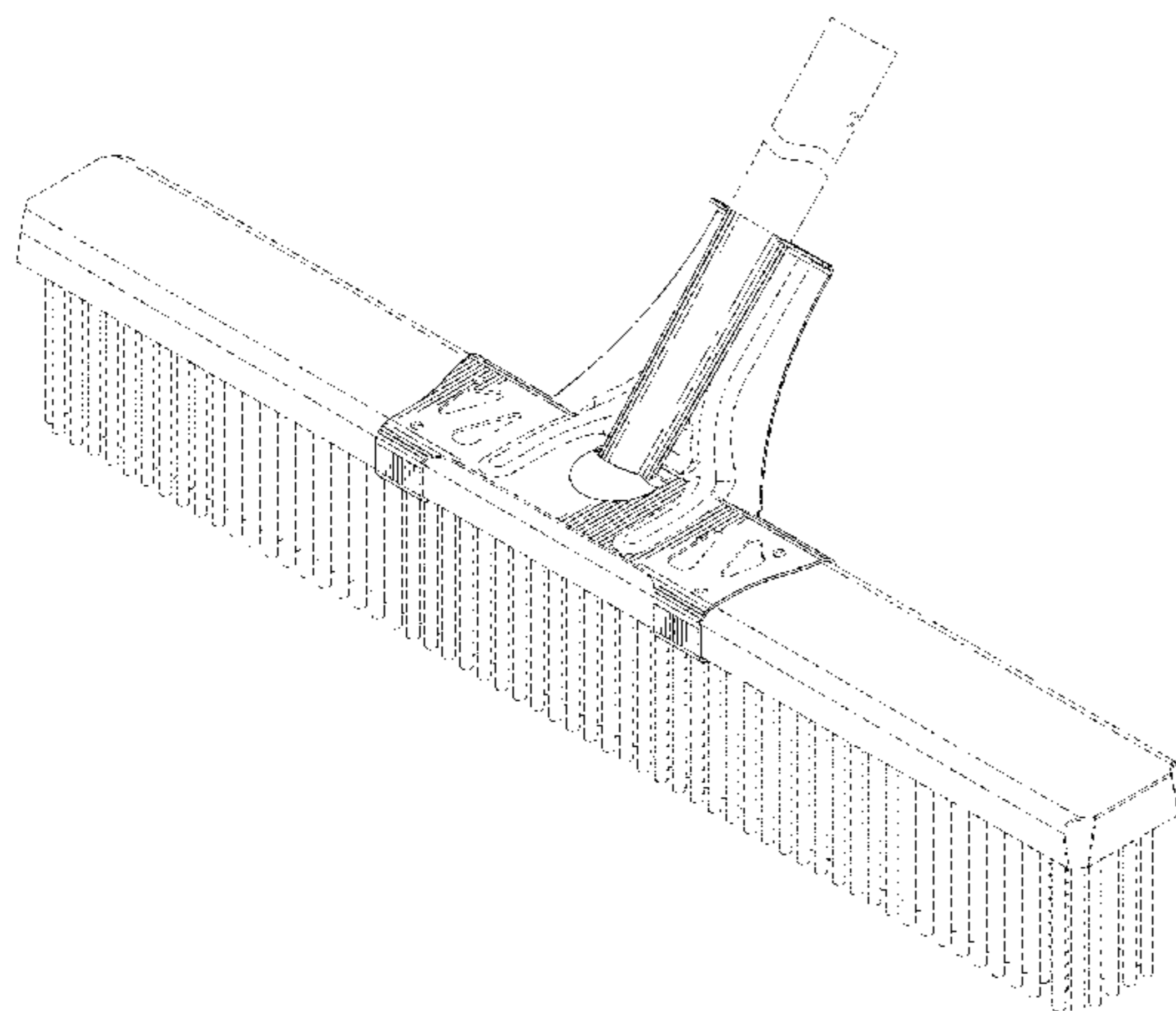
(57) **CLAIM**

The ornamental design for a push broom, as shown and described.

**DESCRIPTION**

FIG. 1 is a perspective front view of the push broom; FIG. 2 is a front view of the push broom of FIG. 1; FIG. 3 is a side view of the push broom of FIG. 1; FIG. 4 is a rear view of the push broom of FIG. 1; FIG. 5 is a top view of the push broom of FIG. 1; and FIG. 6 is a bottom view of the push broom of FIG. 1. The broken lines shown in the figures form no part of the claimed design.

**1 Claim, 6 Drawing Sheets**



(56)

References Cited

U.S. PATENT DOCUMENTS

D277,524 S \* 2/1985 Kubick ..... D32/50  
 4,763,378 A 8/1988 Drumm  
 4,785,489 A 11/1988 Von Doehren  
 D307,517 S \* 5/1990 Mallory ..... D32/41  
 5,094,564 A 3/1992 Tedrick  
 5,123,138 A 6/1992 Flamm  
 D332,009 S \* 12/1992 Kiefer ..... D4/122  
 5,502,862 A 4/1996 Vosbikian  
 5,568,668 A 10/1996 Margolin  
 D383,268 S \* 9/1997 Uranga ..... D32/50  
 D397,875 S \* 9/1998 Barrett ..... D4/132  
 5,870,794 A 2/1999 Harpell  
 6,134,739 A \* 10/2000 Gonzalez ..... B25G 3/24  
 15/175  
 D459,091 S 6/2002 Cesak et al.  
 6,523,212 B2 2/2003 Cesak et al.  
 6,594,850 B2 7/2003 Libman et al.  
 D517,327 S 3/2006 Robinson  
 D533,324 S \* 12/2006 Hay ..... D32/42  
 7,721,380 B2 5/2010 Libman et al.  
 7,730,571 B2 6/2010 Libman  
 D637,007 S 5/2011 Miller  
 D666,836 S \* 9/2012 Dobson, III ..... D4/132  
 D694,974 S \* 12/2013 Libman ..... D32/40  
 D747,884 S \* 1/2016 Chalifoux ..... D4/132  
 D774,267 S \* 12/2016 Dobson, III ..... D32/50  
 2006/0117511 A1 6/2006 Weaver  
 2010/0140836 A1 \* 6/2010 Weaver ..... A46B 15/0055  
 264/243

2010/0212096 A1 8/2010 Libman  
 2014/0331426 A1 \* 11/2014 Weis ..... A46B 7/04  
 15/114  
 2016/0088994 A1 \* 3/2016 Brown ..... A46B 15/0081  
 15/104.8  
 2016/0128539 A1 \* 5/2016 O'Connell ..... A46B 17/08  
 15/111

FOREIGN PATENT DOCUMENTS

CA 2127294 A1 11/1995  
 CA 2133060 A1 4/1998  
 CA 2484753 A1 4/2006  
 CN 2421881 Y 3/2001  
 CN 203153653 U 8/2013  
 DE 2241189 A7 3/1975  
 EP 0494020 A1 7/1992  
 GB 293818 4/1927  
 GB 2499678 A 8/2013  
 WO D082252-003 \* 12/2013  
 WO WO2014171843 A2 10/2014

OTHER PUBLICATIONS

Weiler 44601 Palmyra Fiber Pro-Flex Sweep, review date Apr. 25, 2012, [https://www.amazon.com/Weiler-44601-Palmyra-Pro-Flex-Handle/dp/B004G8P4F8/ref=sr\\_1\\_24?ie=UTF8&qid=1493656281&sr=8-24&keywords=push+broom](https://www.amazon.com/Weiler-44601-Palmyra-Pro-Flex-Handle/dp/B004G8P4F8/ref=sr_1_24?ie=UTF8&qid=1493656281&sr=8-24&keywords=push+broom), site visited May 1, 2017.\*

\* cited by examiner

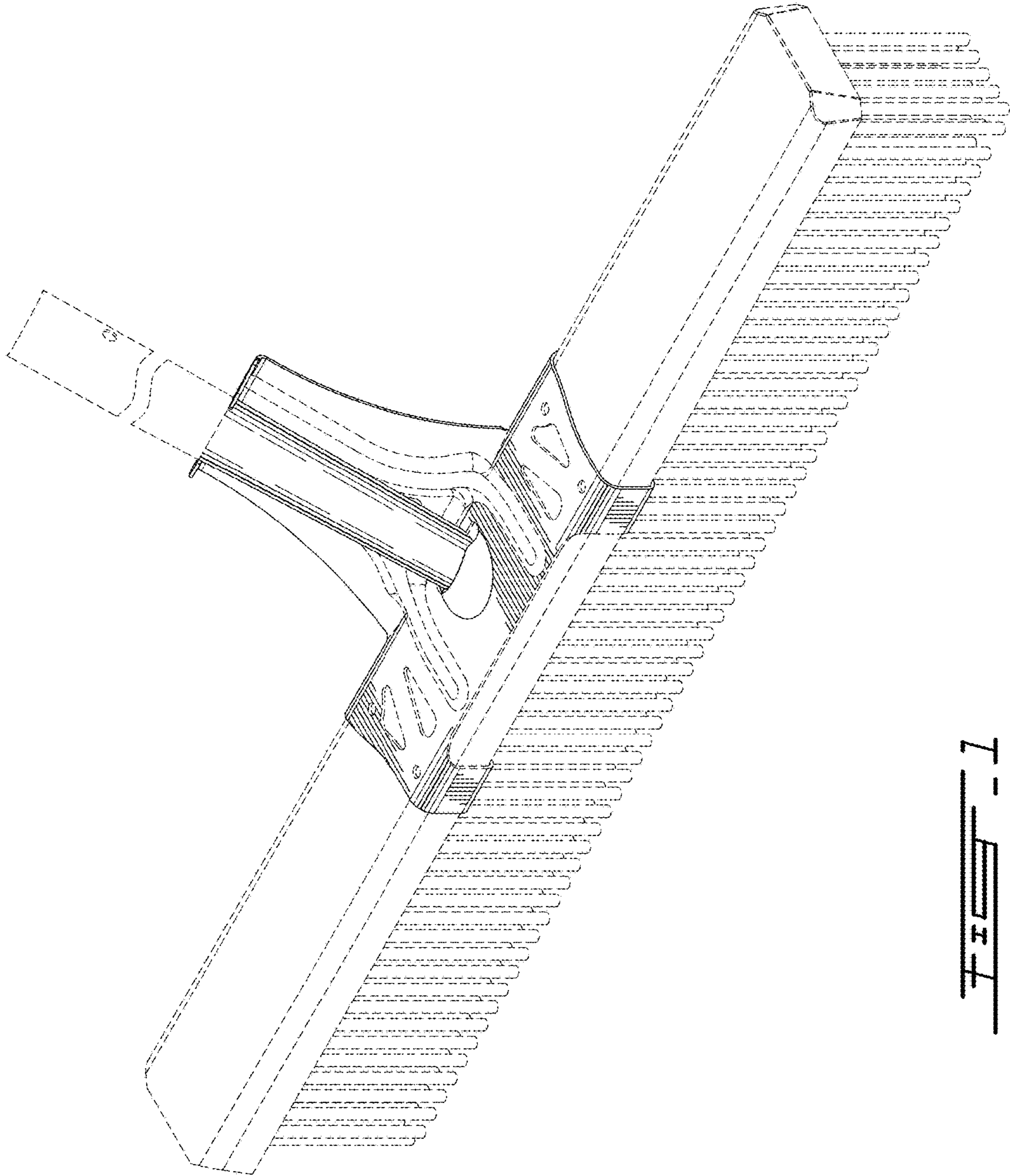


FIG. 1



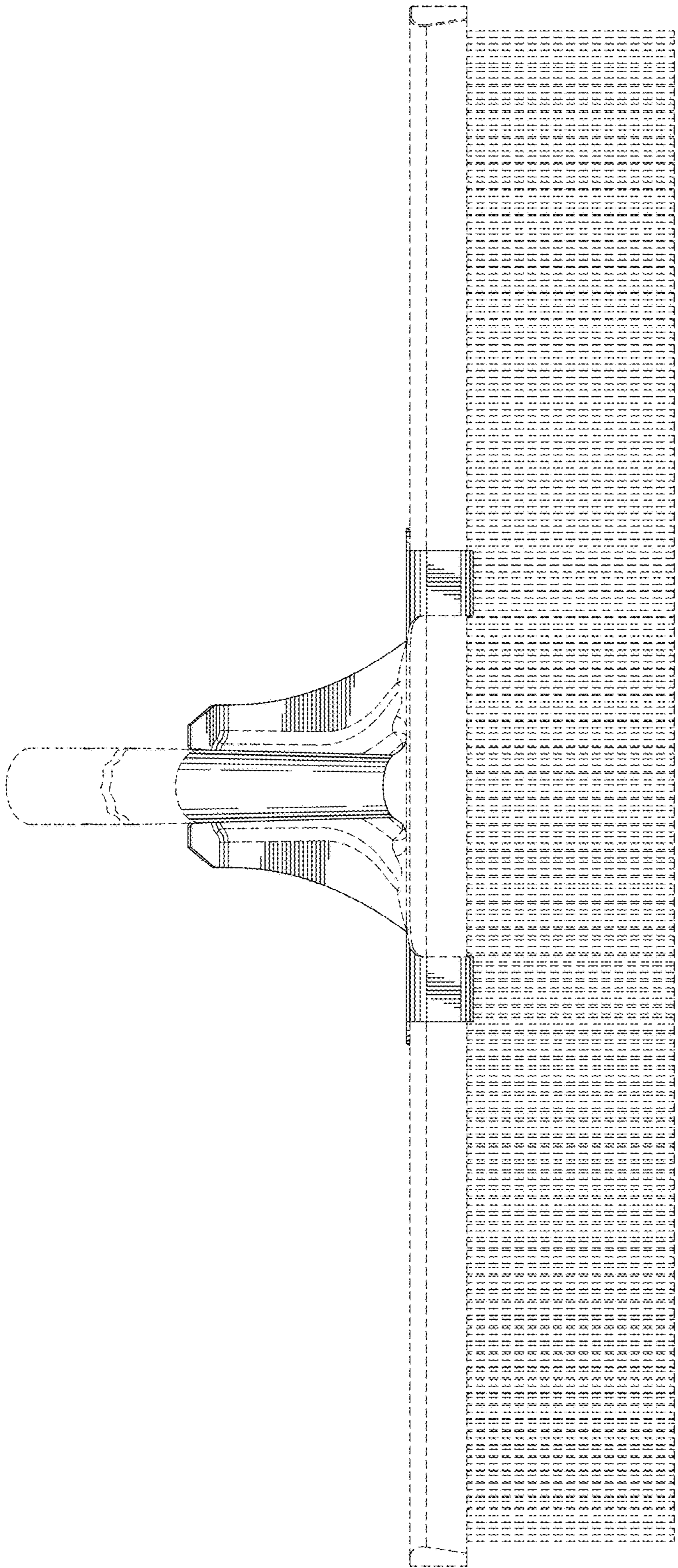


FIG. 2

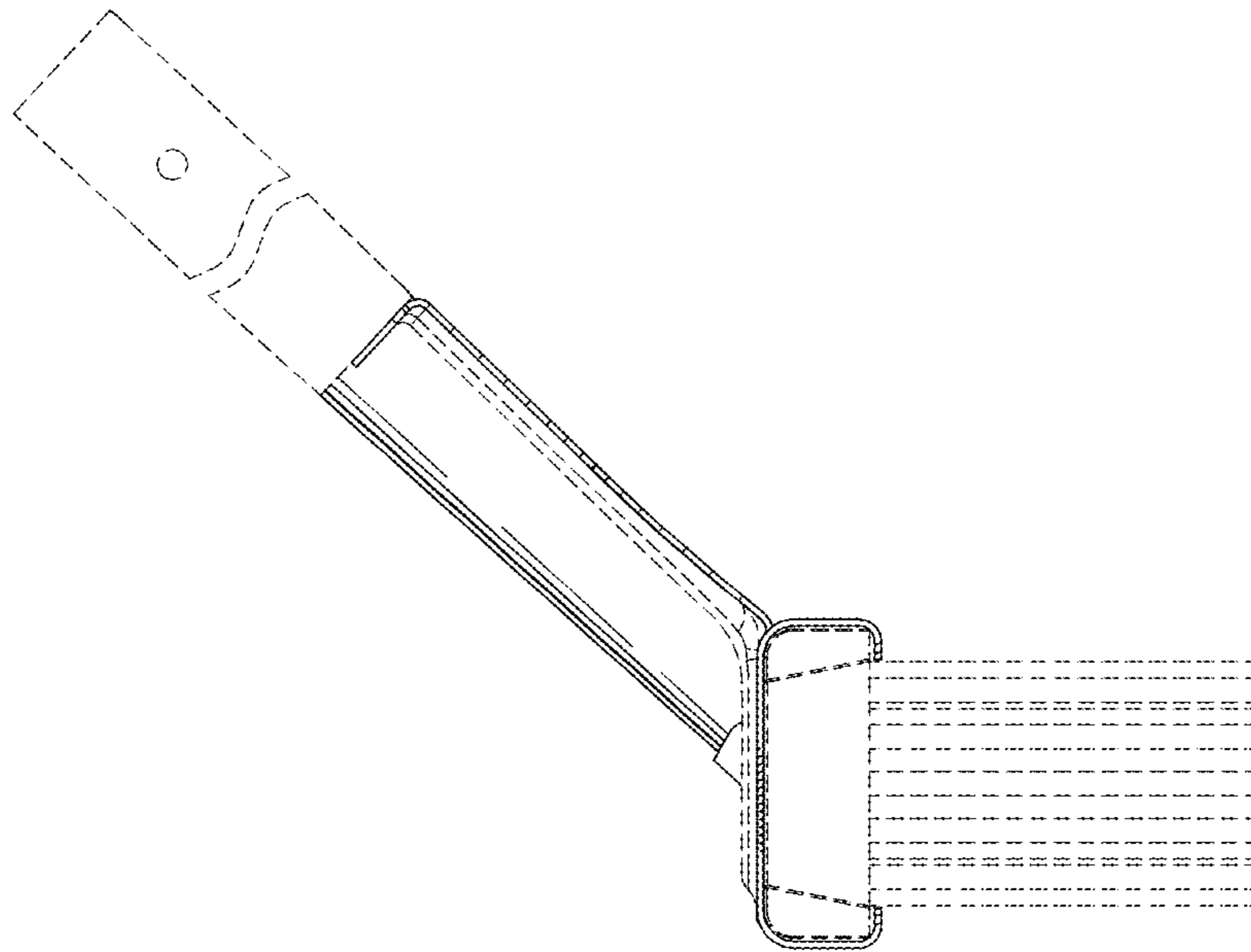


FIG. 3

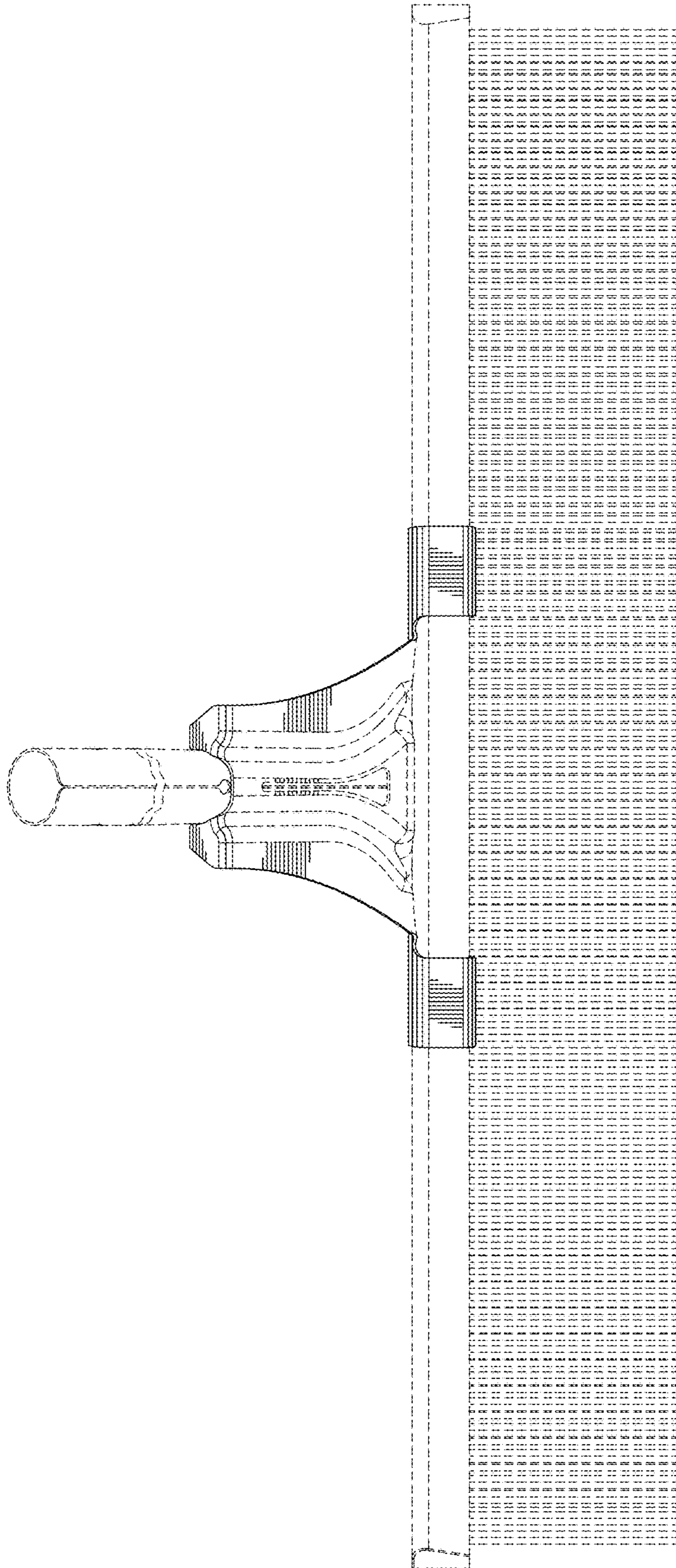


FIG. 4

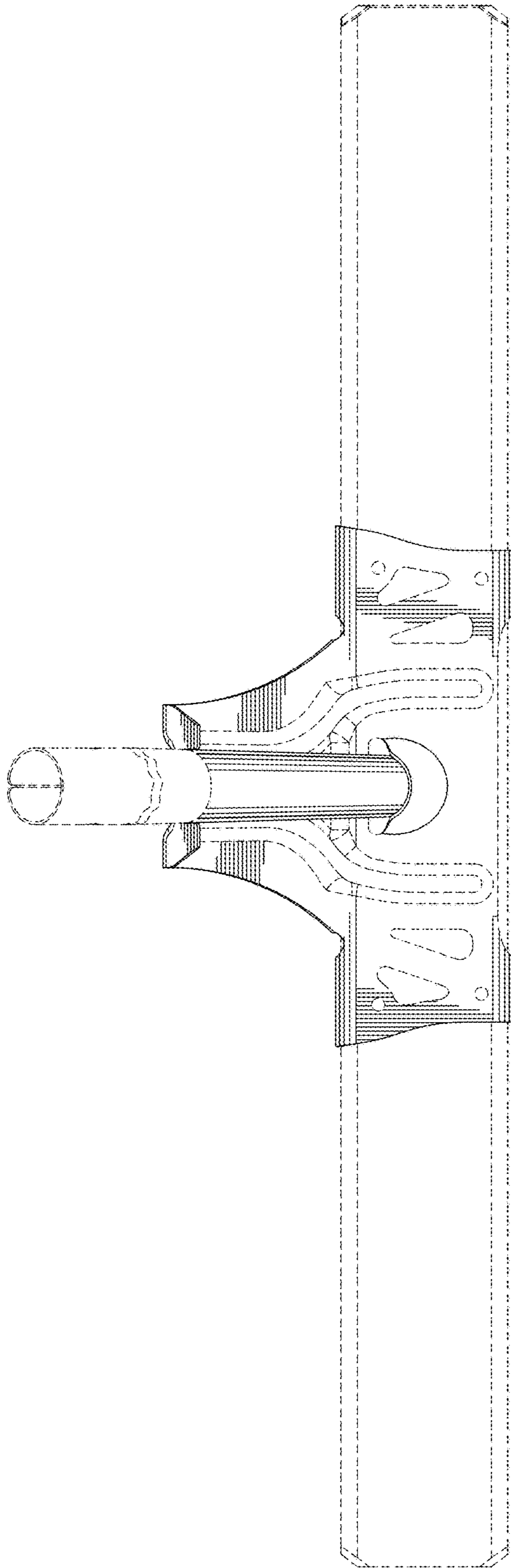


FIG. 5

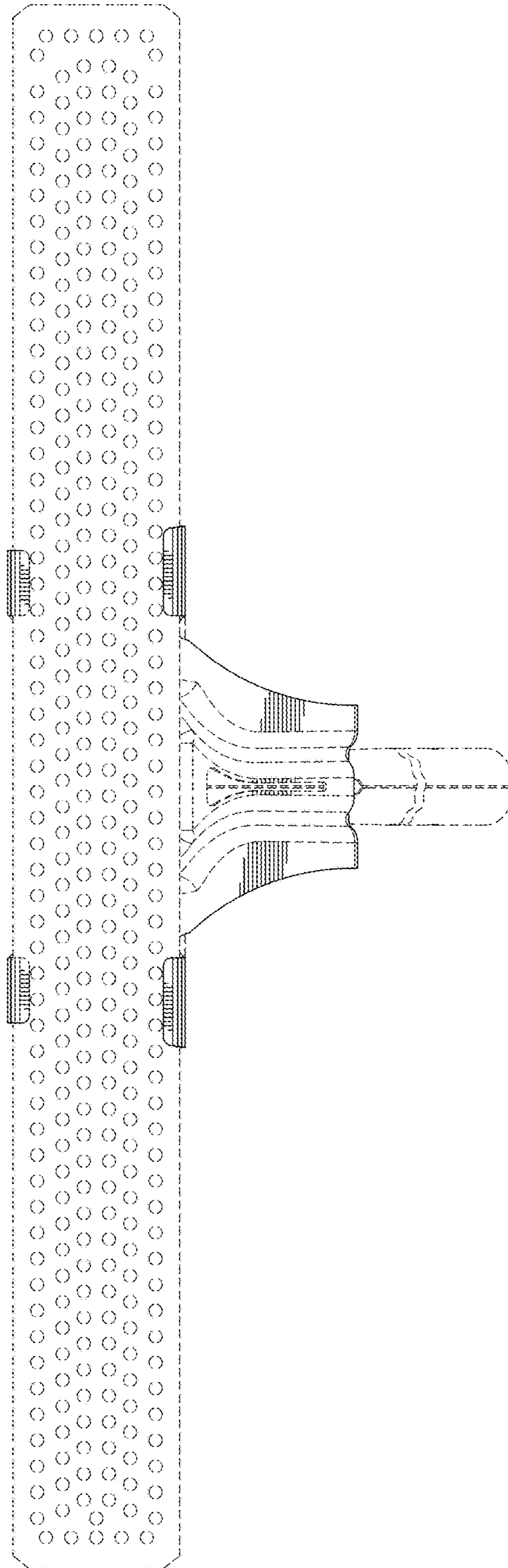


FIG. 6