



US00D796138S

(12) **United States Design Patent** (10) **Patent No.:** **US D796,138 S**
Spence (45) **Date of Patent:** **** Aug. 29, 2017**

- (54) **ALL-IN-ONE CLEANING TOOL**
- (71) Applicant: **Dawn Spence**, London (GB)
- (72) Inventor: **Dawn Spence**, London (GB)
- (**) Term: **15 Years**
- (21) Appl. No.: **29/589,489**
- (22) Filed: **Dec. 31, 2016**

D704,911 S *	5/2014	Albo	D32/41
D718,914 S	12/2014	Ashbee et al.	
D719,712 S *	12/2014	Widmer	A46B 17/00
			D32/35
D731,130 S *	6/2015	Dyson	D32/18
D740,506 S	10/2015	Yoon	
D742,082 S *	10/2015	Lee	D32/31
D742,607 S	11/2015	Crawley	
D745,232 S *	12/2015	Yoon	D32/22
D781,517 S *	3/2017	Spence	D32/35

Related U.S. Application Data

- (62) Division of application No. 29/510,369, filed on Nov. 26, 2014, now Pat. No. Des. 781,517.
- (51) **LOC (10) Cl.** **08-99**
- (52) **U.S. Cl.**
USPC **D32/35**
- (58) **Field of Classification Search**
USPC D32/35, 32, 31, 34, 15, 17, 18, 21, 22,
D32/23, 24, 38, 39, 40, 42, 50, 51, 52;
15/32, 322
CPC A47L 9/02; A47L 9/0613; A47L 9/0626;
A47L 9/066; A47L 9/0673; A47L 9/0686;
A47L 8/06
See application file for complete search history.

References Cited

U.S. PATENT DOCUMENTS

RE21,256 E	11/1939	Brock	
D419,731 S *	1/2000	Bates	D32/22
6,263,539 B1 *	7/2001	Baig	A47L 9/0411
			15/321
D563,615 S	3/2008	Roschi	
D569,564 S	5/2008	Labarbera	
D621,564 S	8/2010	Kaffenberger	
D653,825 S	2/2012	Cho et al.	
D685,550 S	7/2013	Tronconi et al.	
D691,340 S	10/2013	Bruneel	
D691,771 S	10/2013	Gao	

OTHER PUBLICATIONS

Dawn Spence, International design registration, WIPO, Aug. 26, 2013, Geneva, Switzerland.
Dawn Spence, Registry entry for UK design 4029819, May 20, 2013, UK Intellectual Property Office, United Kingdom.

(Continued)

Primary Examiner — Susan Bennett Hattan
Assistant Examiner — Rebecca Tsehaye
(74) *Attorney, Agent, or Firm* — Valerie M. Davis; The Mason Group Patent Specialists LLC

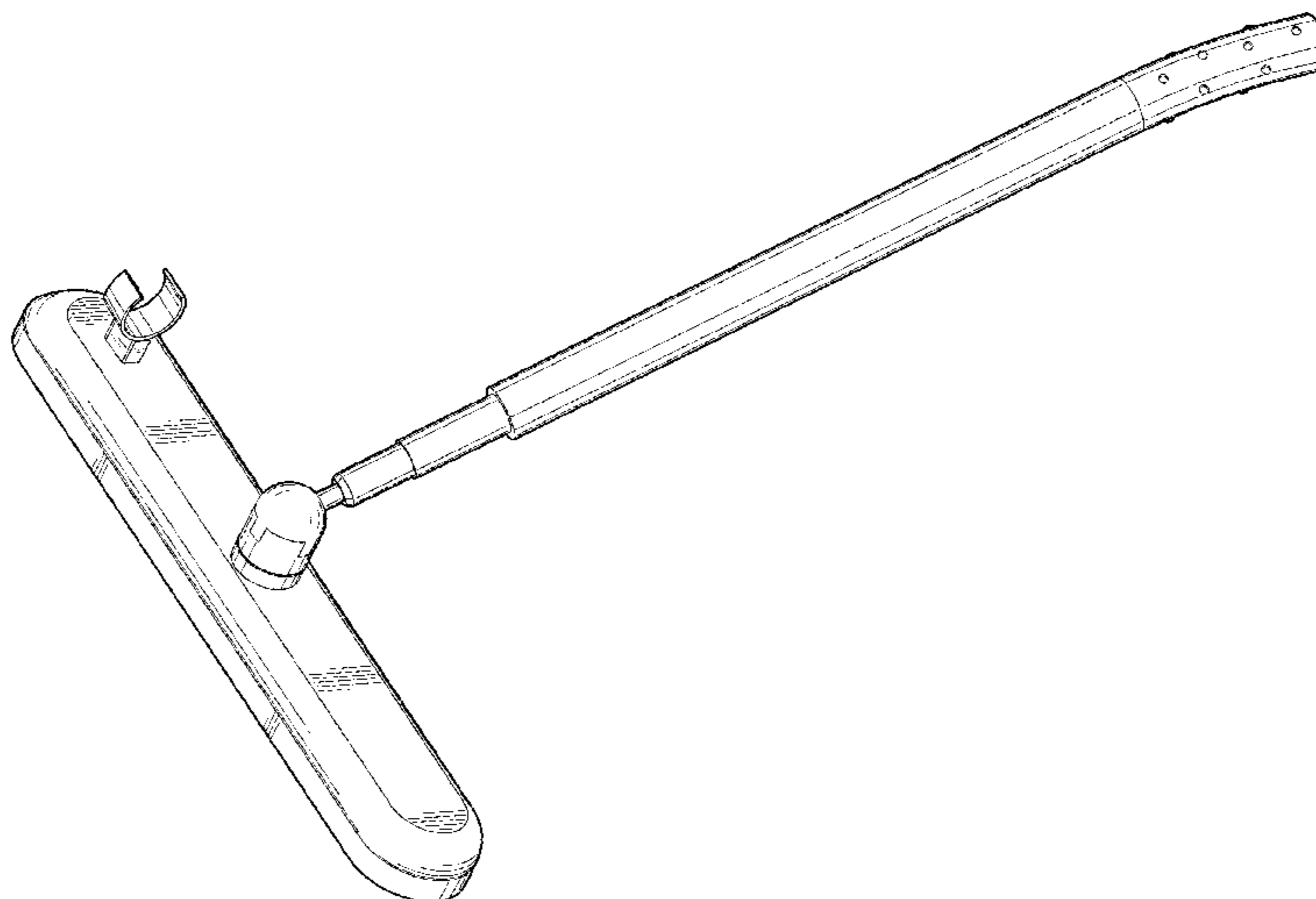
(57) **CLAIM**

The ornamental design for an all-in-one cleaning tool, as shown and described.

DESCRIPTION

FIG. 1 is a perspective view of an all-in-one cleaning tool showing my new design;
FIG. 2 is a front view thereof;
FIG. 3 is a rear view thereof;
FIG. 4 is a left side view thereof;
FIG. 5 is a right side view thereof;
FIG. 6 is a top view thereof; and,
FIG. 7 is an underside view thereof.
The broken lines shown in FIG. 7 represent twin tracks, which form no part of the claimed design.

1 Claim, 7 Drawing Sheets



(56)

References Cited

OTHER PUBLICATIONS

Dawn Spence, Registry entry for UK design 4029830, May 20, 2013, UK Intellectual Property Office, United Kingdom.

Dawn Spence, Registry entry for UK design 4029831, Jul. 25, 2013, UK Intellectual Property Office, United Kingdom.

Procter & Gamble Co., Swifter Sweeper webpage, 2014, United States.

U.S. Office Action, dated May 27, 2016, USPTO, Alexandria, United States.

U.S. Office Action, dated Nov. 4, 2016, USPTO, Alexandria, United States.

Dawn Spence, International Registration DM/088889, Jan. 22, 2016, WIPO Hague Express, Geneva, Switzerland.

U.S. Appl. No. 35/500,513 Office Action, dated Dec. 28, 2016, USPTO, Alexandria, United States.

* cited by examiner

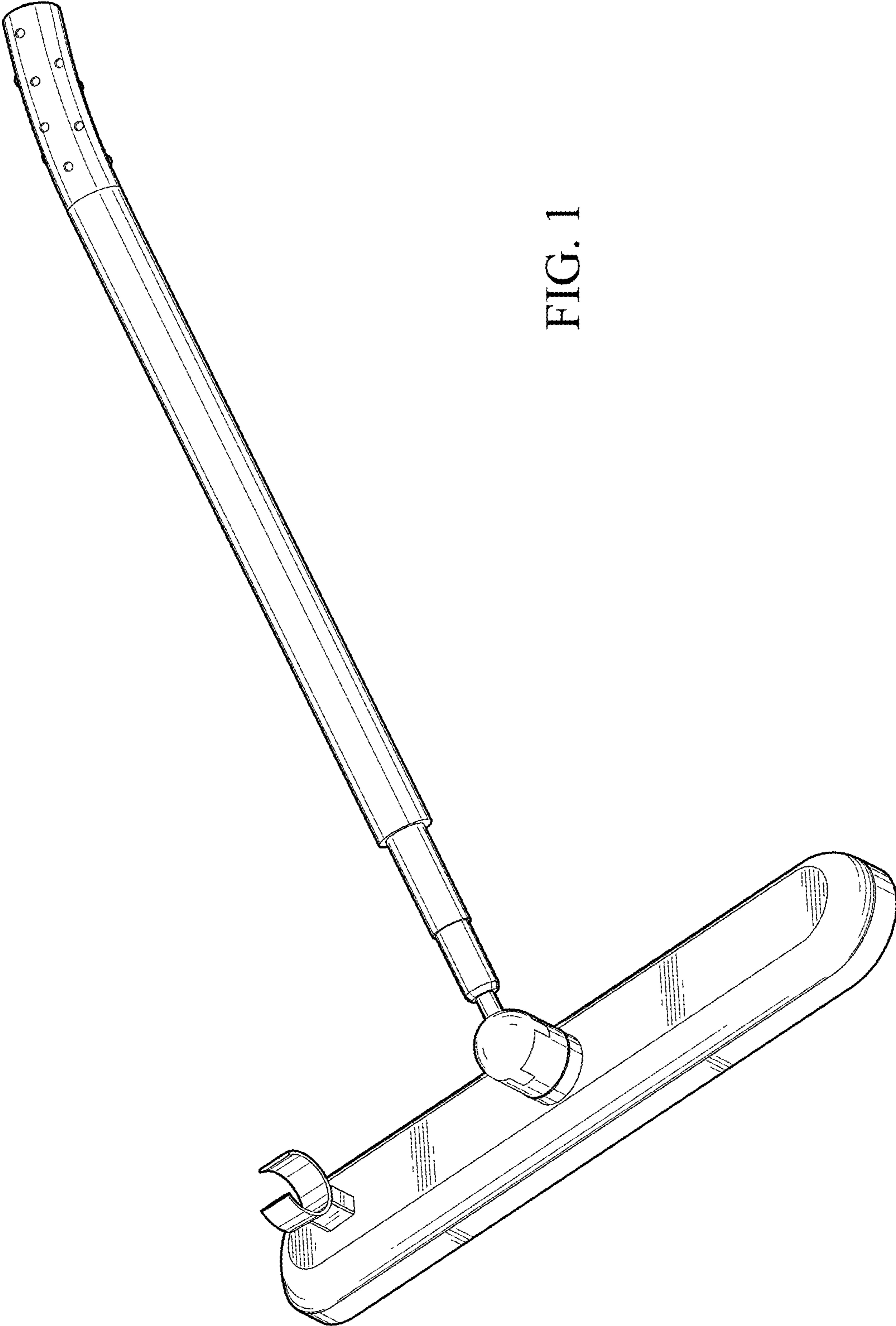


FIG. 1

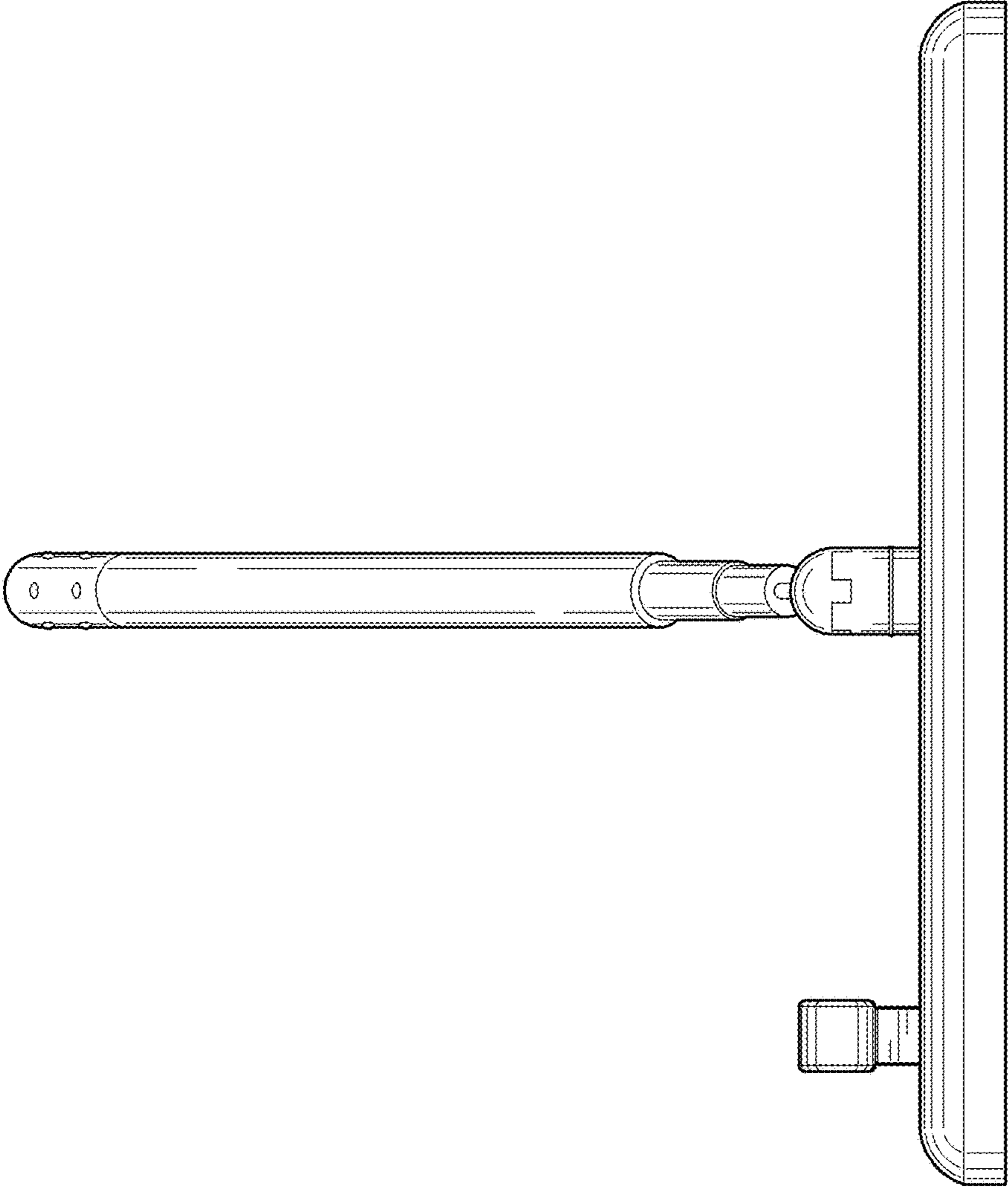


FIG. 2

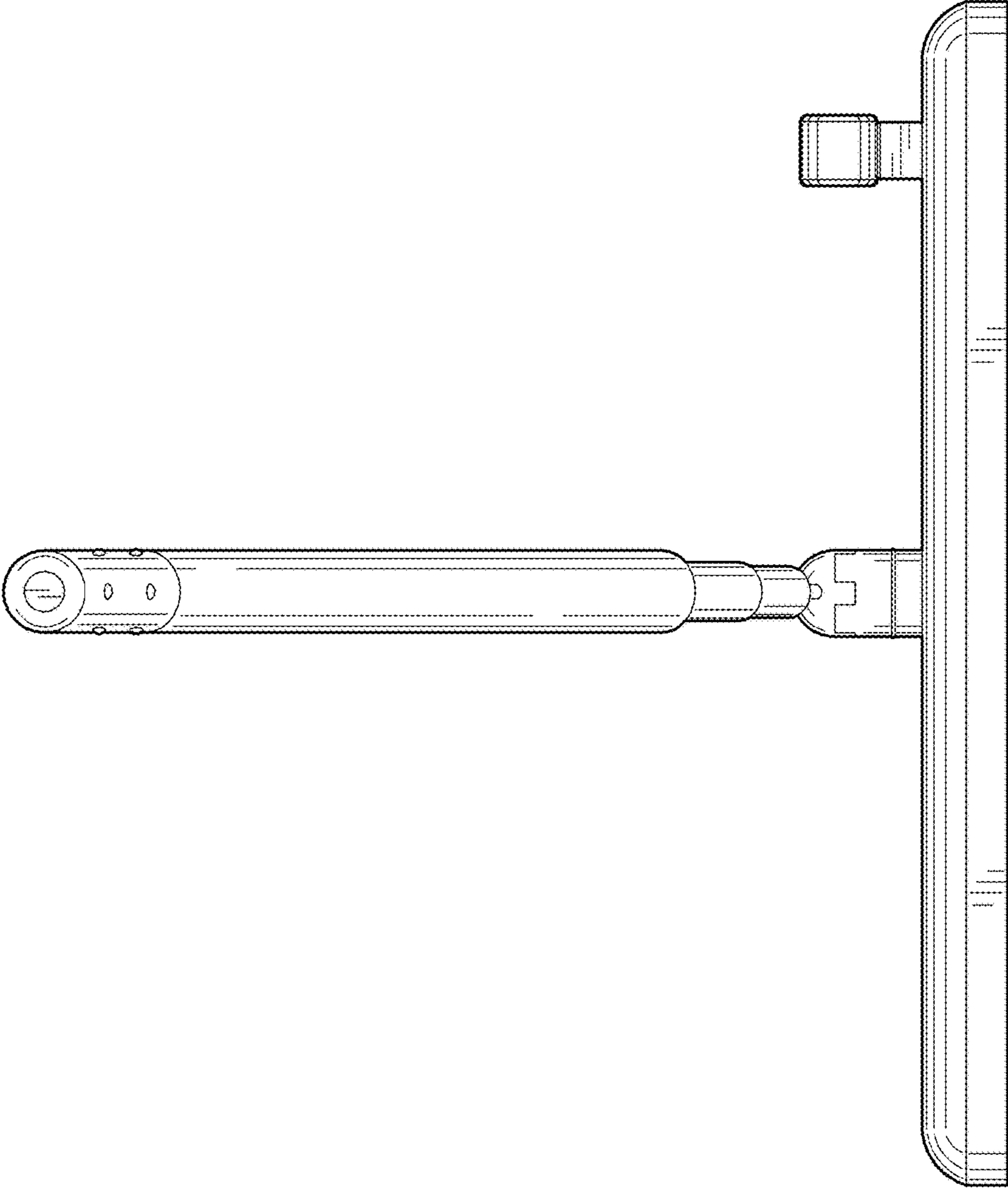


FIG. 3

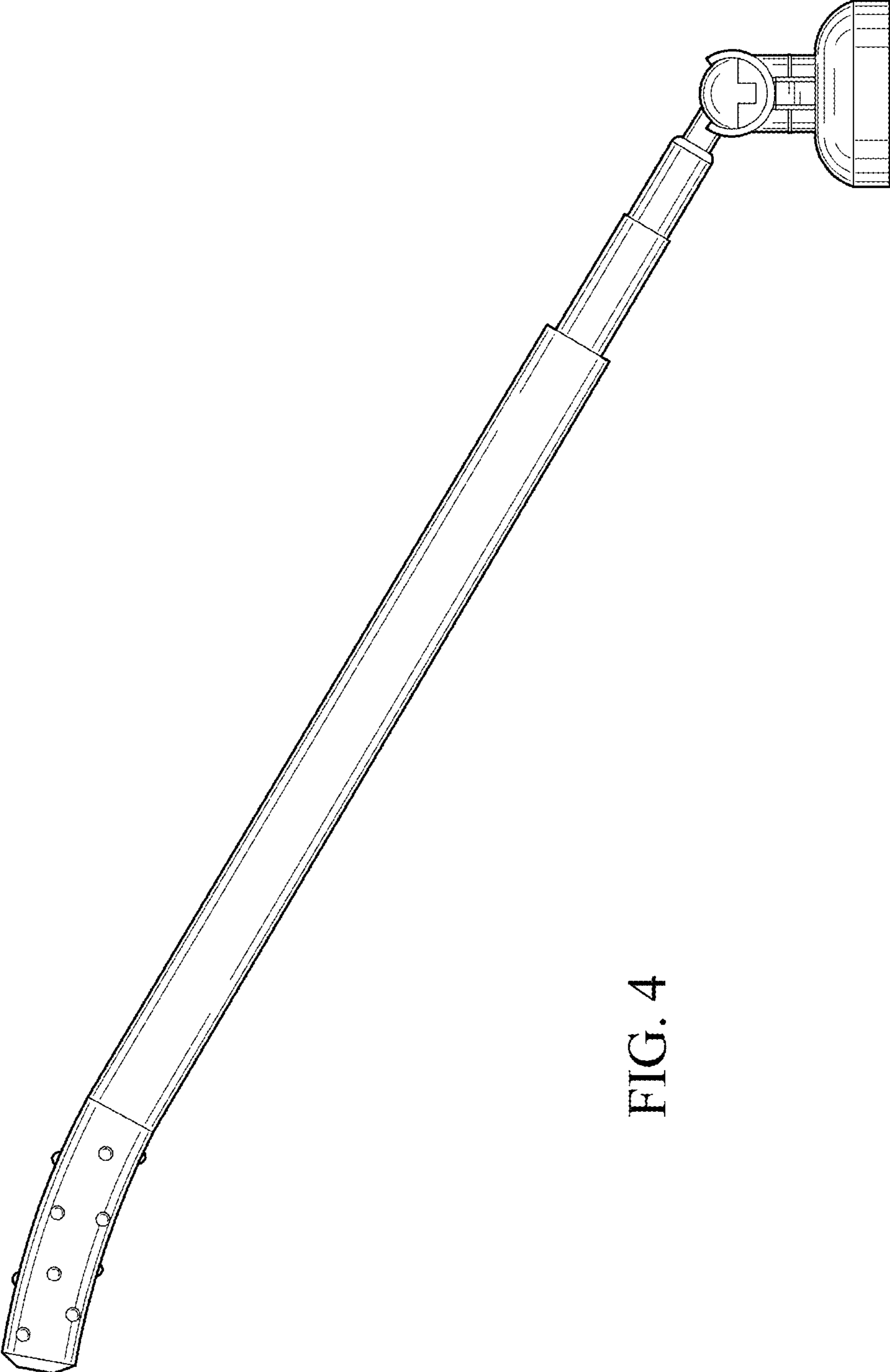


FIG. 4

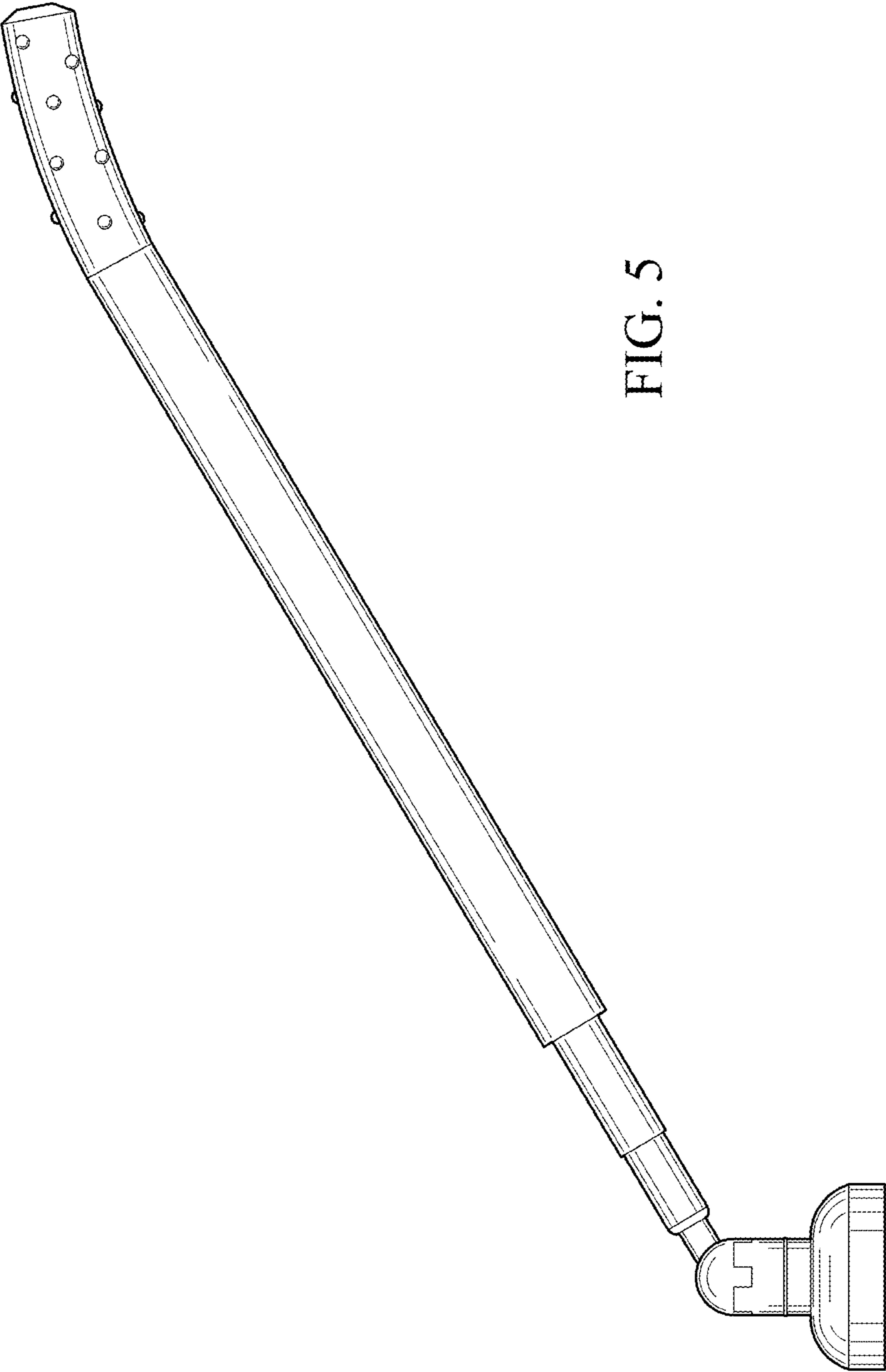


FIG. 5

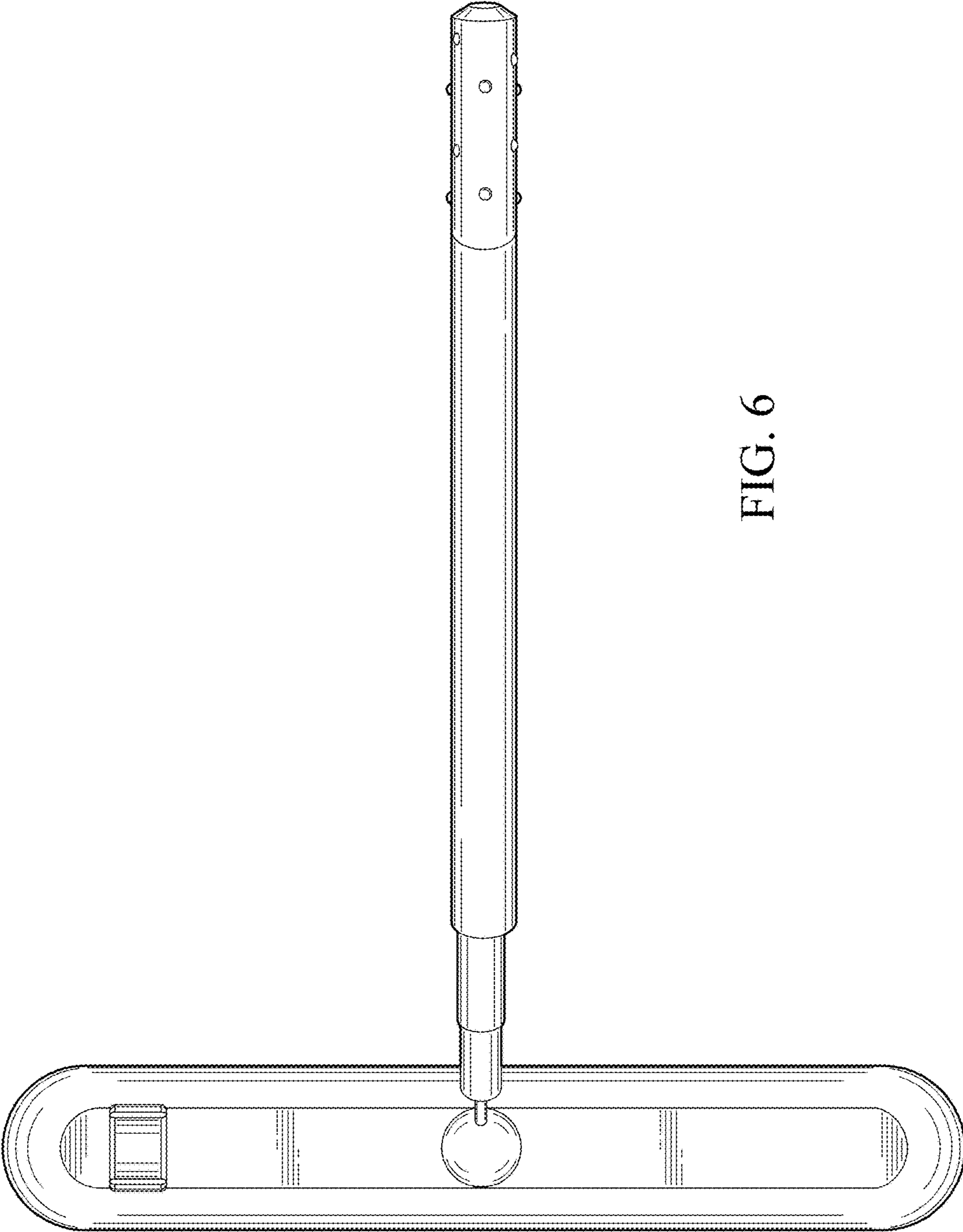


FIG. 6

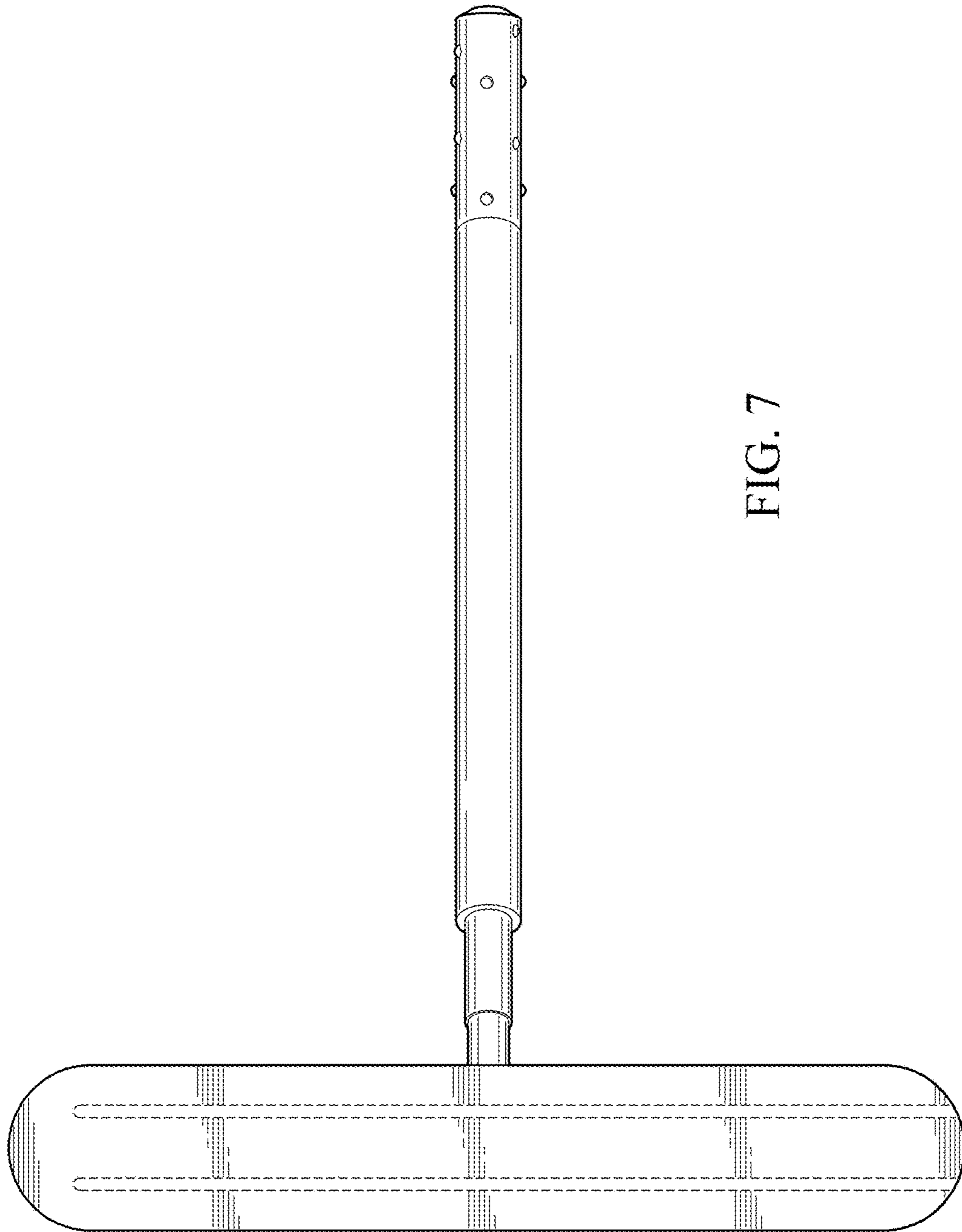


FIG. 7