



US00D796137S

(12) **United States Design Patent** (10) **Patent No.:** **US D796,137 S**  
**Spence** (45) **Date of Patent:** **\*\* Aug. 29, 2017**

- (54) **ALL-IN-ONE CLEANING TOOL**
- (71) Applicant: **Dawn Spence**, London (GB)
- (72) Inventor: **Dawn Spence**, London (GB)
- (\*\*) Term: **15 Years**
- (21) Appl. No.: **29/589,488**
- (22) Filed: **Dec. 31, 2016**

D704,911 S *	5/2014	Albo .....	D32/41
D718,914 S	12/2014	Ashbee et al.	
D719,712 S *	12/2014	Widmer .....	A46B 17/00
			D32/35
D731,130 S *	6/2015	Dyson .....	D32/18
D740,506 S	10/2015	Yoon	
D742,082 S *	10/2015	Lee .....	D32/31
D742,607 S	11/2015	Crawley	
D745,232 S *	12/2015	Yoon .....	D32/22
D781,517 S *	3/2017	Spence .....	D32/35

**Related U.S. Application Data**

- (62) Division of application No. 29/510,369, filed on Nov. 26, 2014, now Pat. No. Des. 781,517.
- (51) **LOC (10) Cl.** ..... **08-99**
- (52) **U.S. Cl.**  
USPC ..... **D32/35**
- (58) **Field of Classification Search**  
USPC ..... D32/35, 32, 31, 34, 15, 17, 18, 21, 22,  
D32/23, 24, 38, 39, 40, 42, 50, 51, 52;  
15/32, 322  
CPC ..... A47L 9/02; A47L 9/0613; A47L 9/0626;  
A47L 9/066; A47L 9/0673; A47L 9/0686;  
A47L 8/06  
See application file for complete search history.

**References Cited**

**U.S. PATENT DOCUMENTS**

RE21,256 E	11/1939	Brock	
D419,731 S *	1/2000	Bates .....	D32/22
6,263,539 B1 *	7/2001	Baig .....	A47L 9/0411
			15/321
D563,615 S	3/2008	Roschi	
D569,564 S	5/2008	Labarbera	
D621,564 S	8/2010	Kaffenberger	
D653,825 S	2/2012	Cho et al.	
D685,550 S	7/2013	Tronconi et al.	
D691,340 S	10/2013	Bruneel	
D691,771 S	10/2013	Gao	

**OTHER PUBLICATIONS**

Dawn Spence, International design registration, WIPO, Aug. 26, 2013, Geneva, Switzerland.  
Dawn Spence, Registry entry for UK design 4029819, May 20, 2013, UK Intellectual Property Office, United Kingdom.

(Continued)

*Primary Examiner* — Susan Bennett Hattan  
*Assistant Examiner* — Rebecca Tsehaye  
(74) *Attorney, Agent, or Firm* — Valerie M. Davis; The Mason Group Patent Specialist LLC

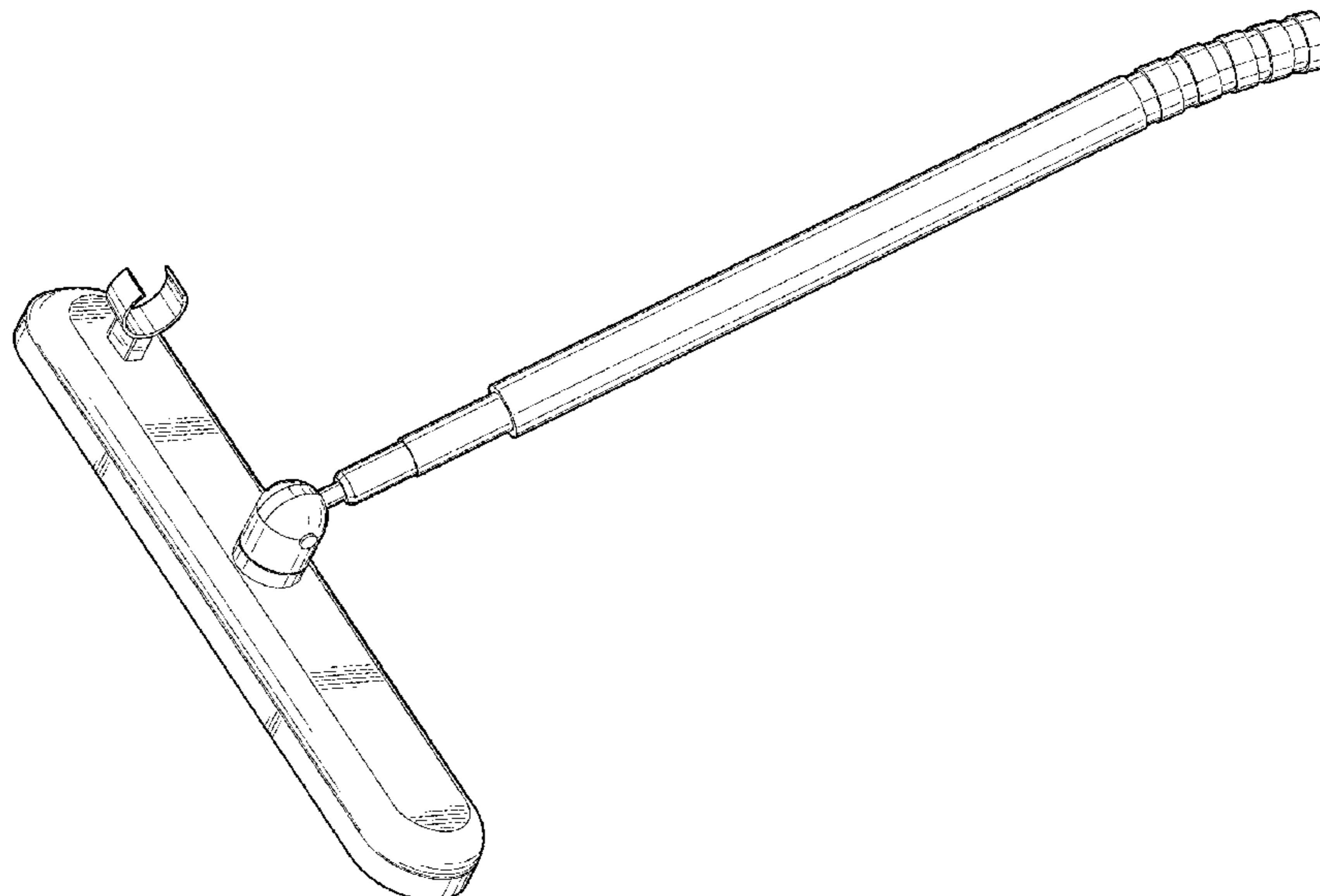
(57) **CLAIM**

The ornamental design for an all-in-one cleaning tool, as shown and described.

**DESCRIPTION**

FIG. 1 is a perspective view of an all-in-one cleaning tool showing my new design;  
FIG. 2 is a front view thereof;  
FIG. 3 is a rear view thereof;  
FIG. 4 is a left side view thereof;  
FIG. 5 is a right side view thereof;  
FIG. 6 is a top view thereof; and,  
FIG. 7 is an underside view thereof.  
The broken lines shown in FIG. 7 represent twin tracks, which form no part of the claimed design.

**1 Claim, 7 Drawing Sheets**



(56)

**References Cited**

OTHER PUBLICATIONS

Dawn Spence, Registry entry for UK design 4029830, May 20, 2013, UK Intellectual Property Office, United Kingdom.

Dawn Spence, Registry entry for UK design 4029831, Jul. 25, 2013, UK Intellectual Property Office, United Kingdom.

Procter & Gamble Co., Swifter Sweeper webpage, 2014, United States.

U.S. Patent and Trademark Office, Office Action, May 27, 2016, USPTO, Alexandria, United States.

U.S. Patent and Trademark Office, Office Action, Nov. 4, 2016, USPTO, Alexandria, United States.

Dawn Spence, International Registration DM/088889, Jan. 22, 2016, WIPO Hague Express, Geneva, Switzerland.

U.S. Patent and Trademark Office, U.S. Appl. No. 35/500,513 Office Action, dated Dec. 28, 2016, USPTO, Alexandria, United States.

\* cited by examiner

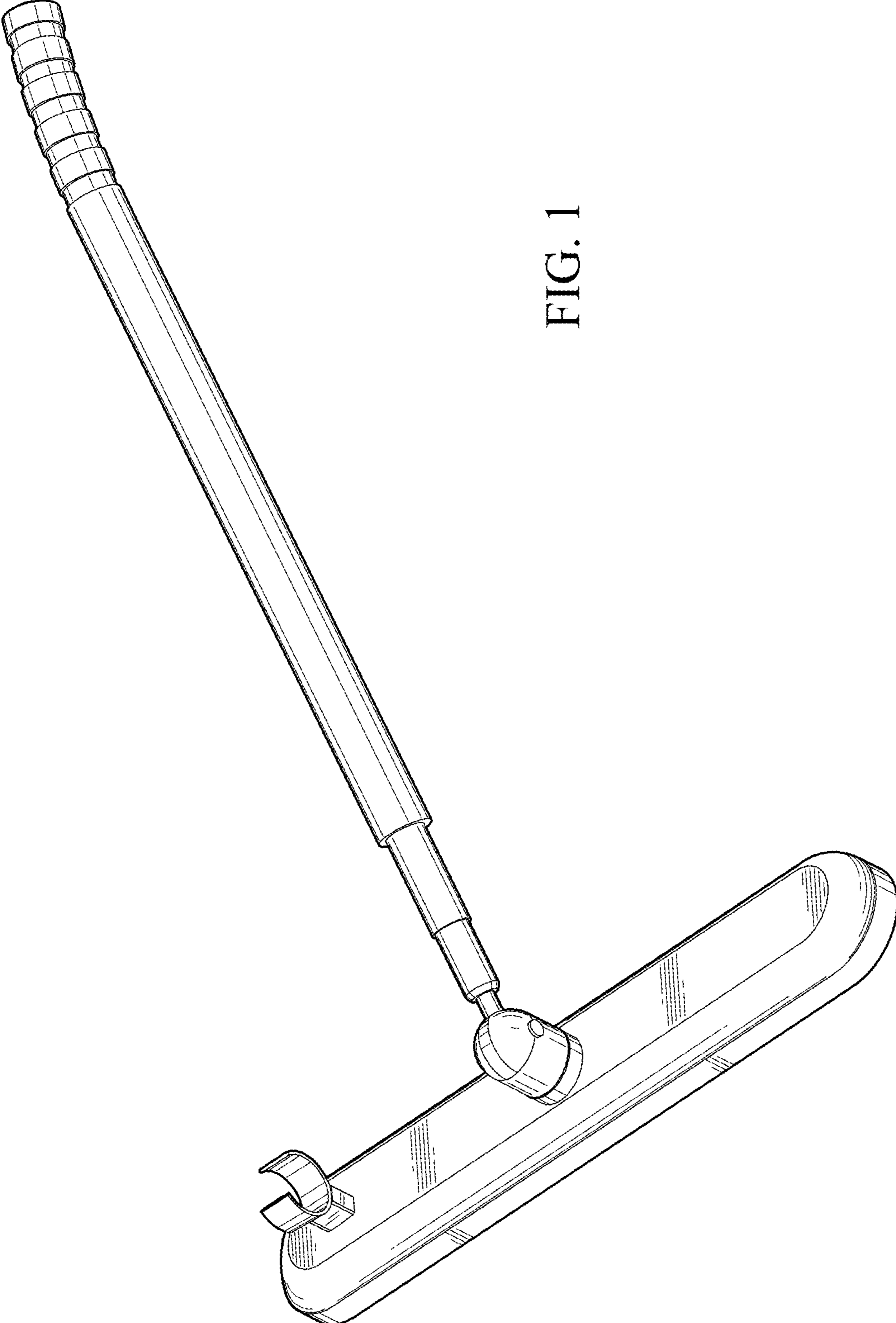


FIG. 1

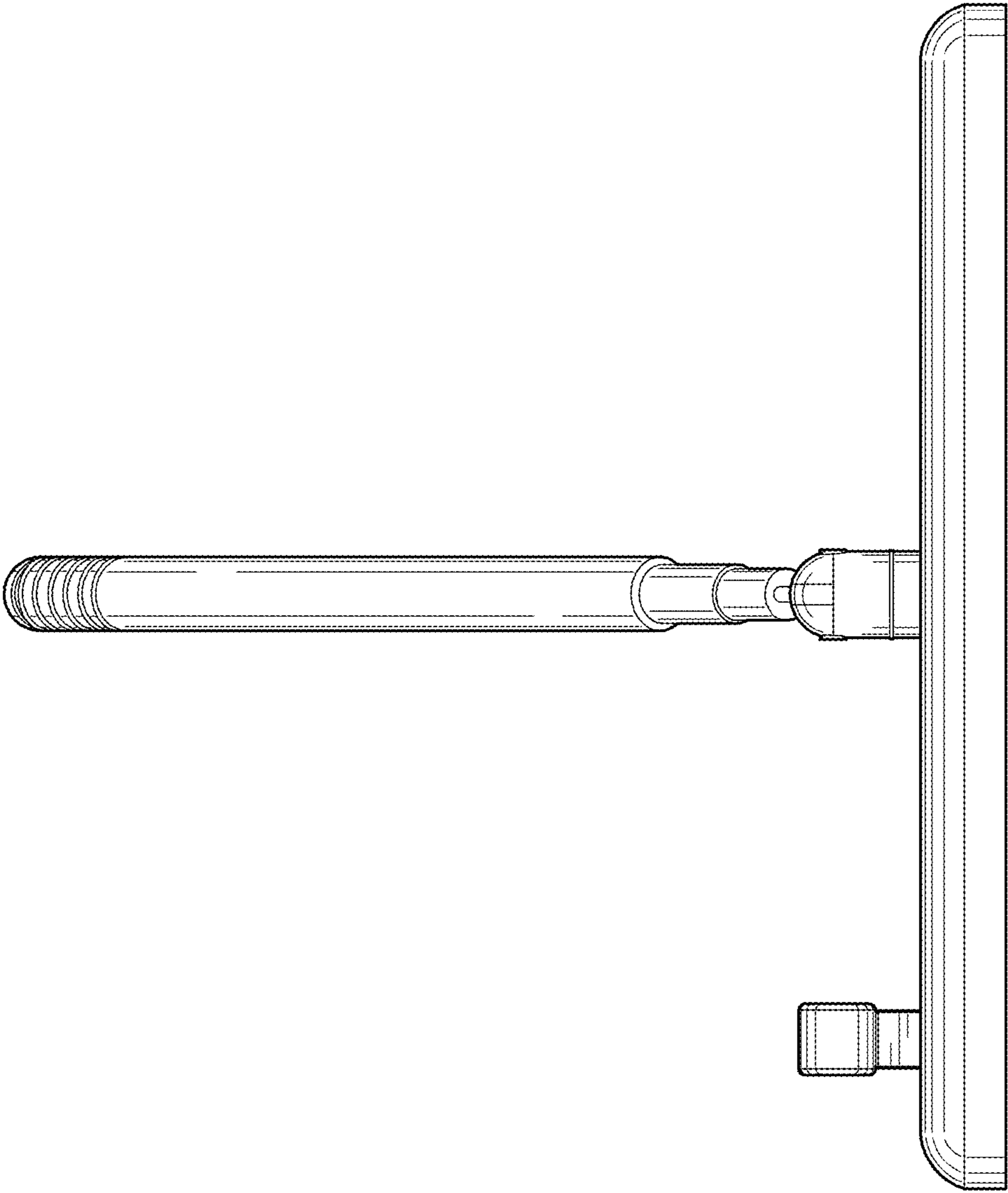


FIG. 2

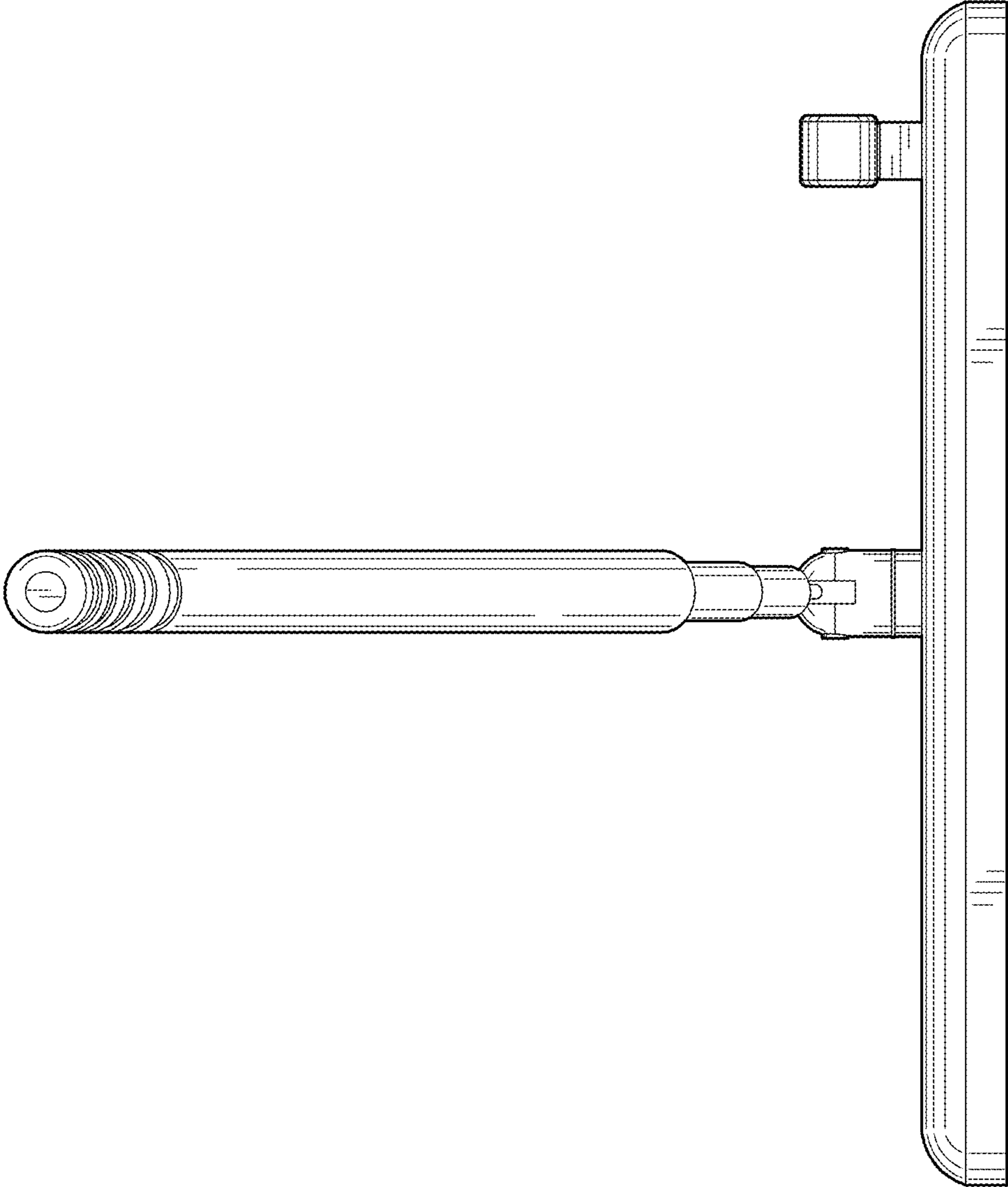


FIG. 3

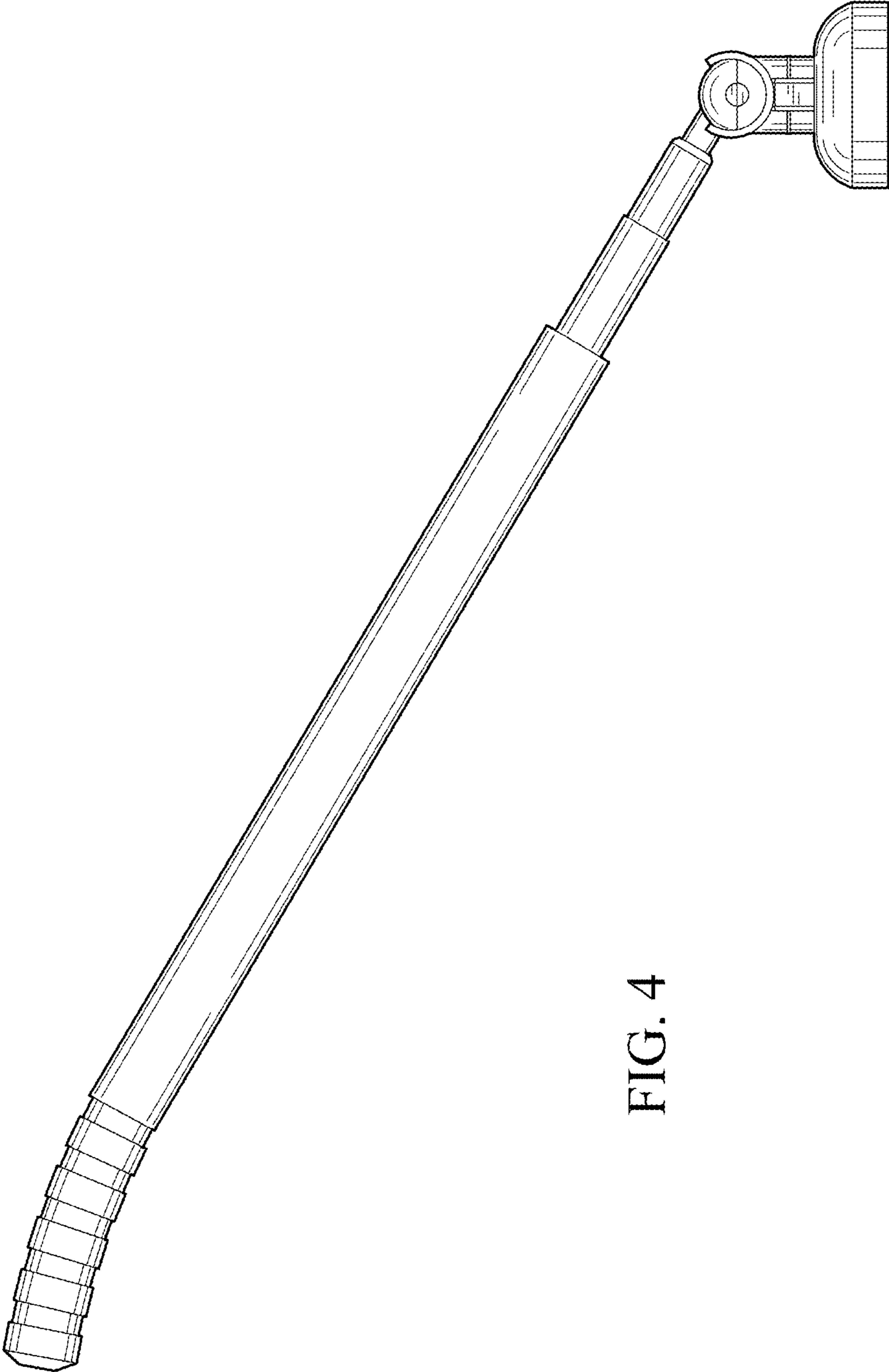


FIG. 4



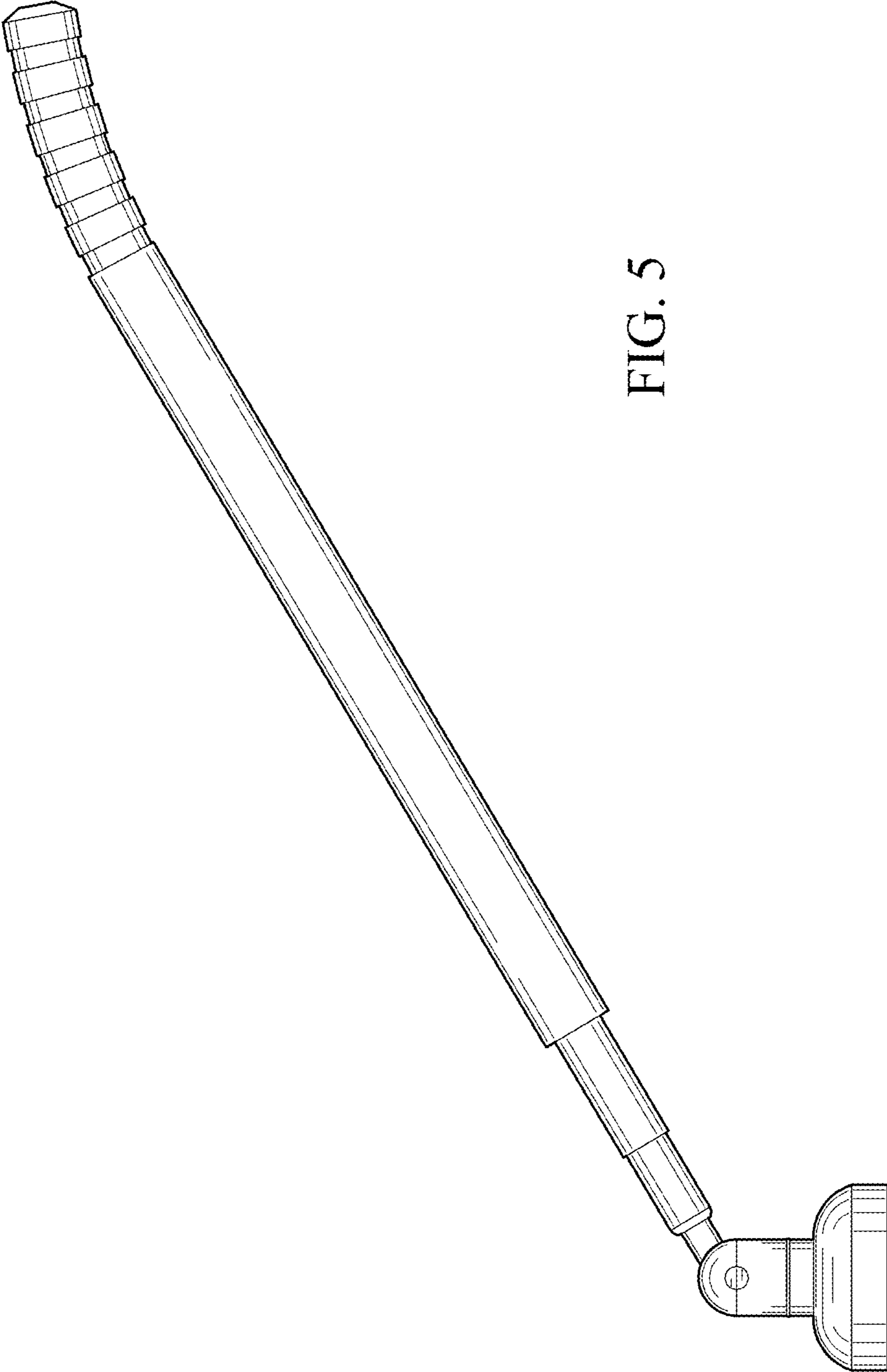


FIG. 5

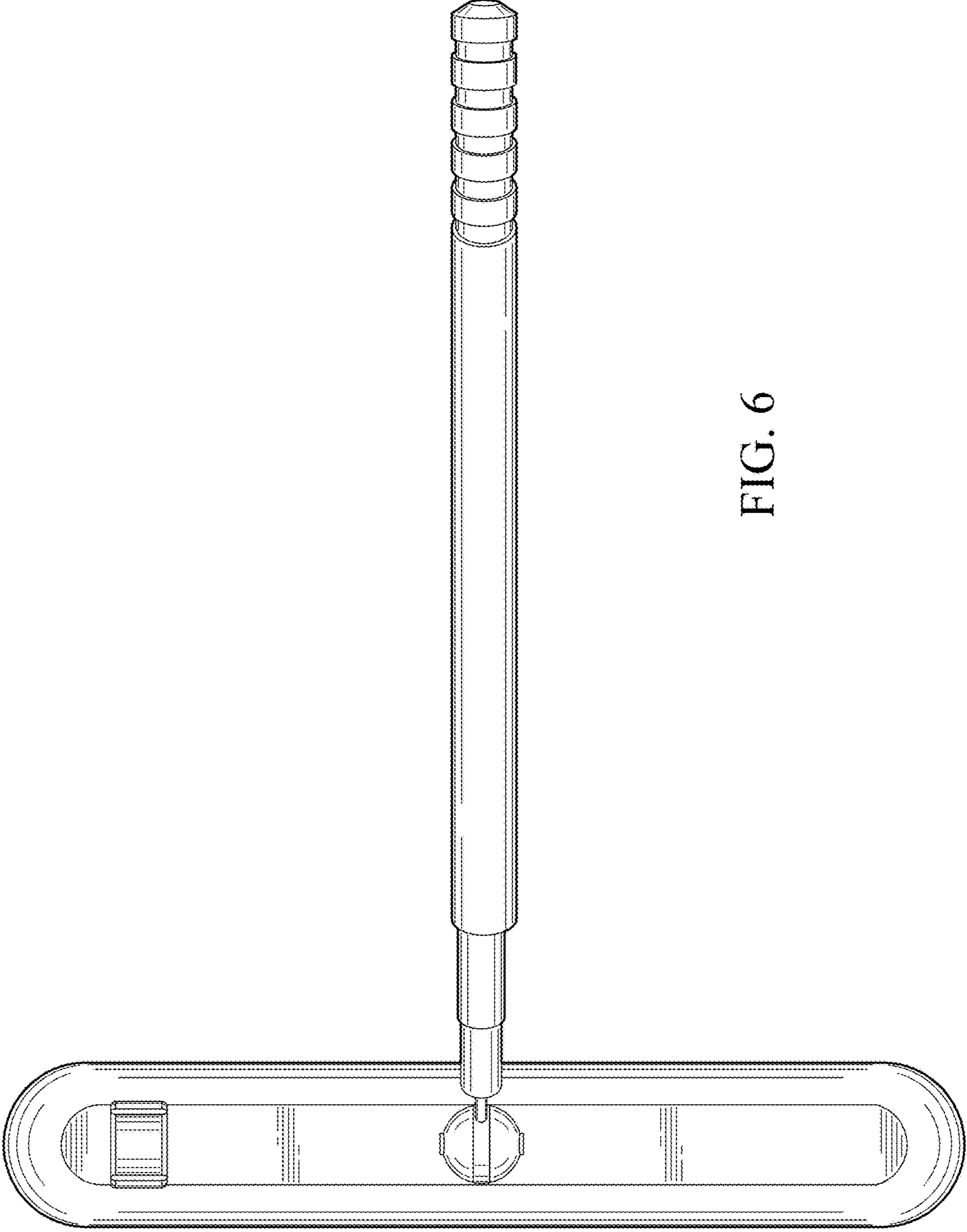


FIG. 6



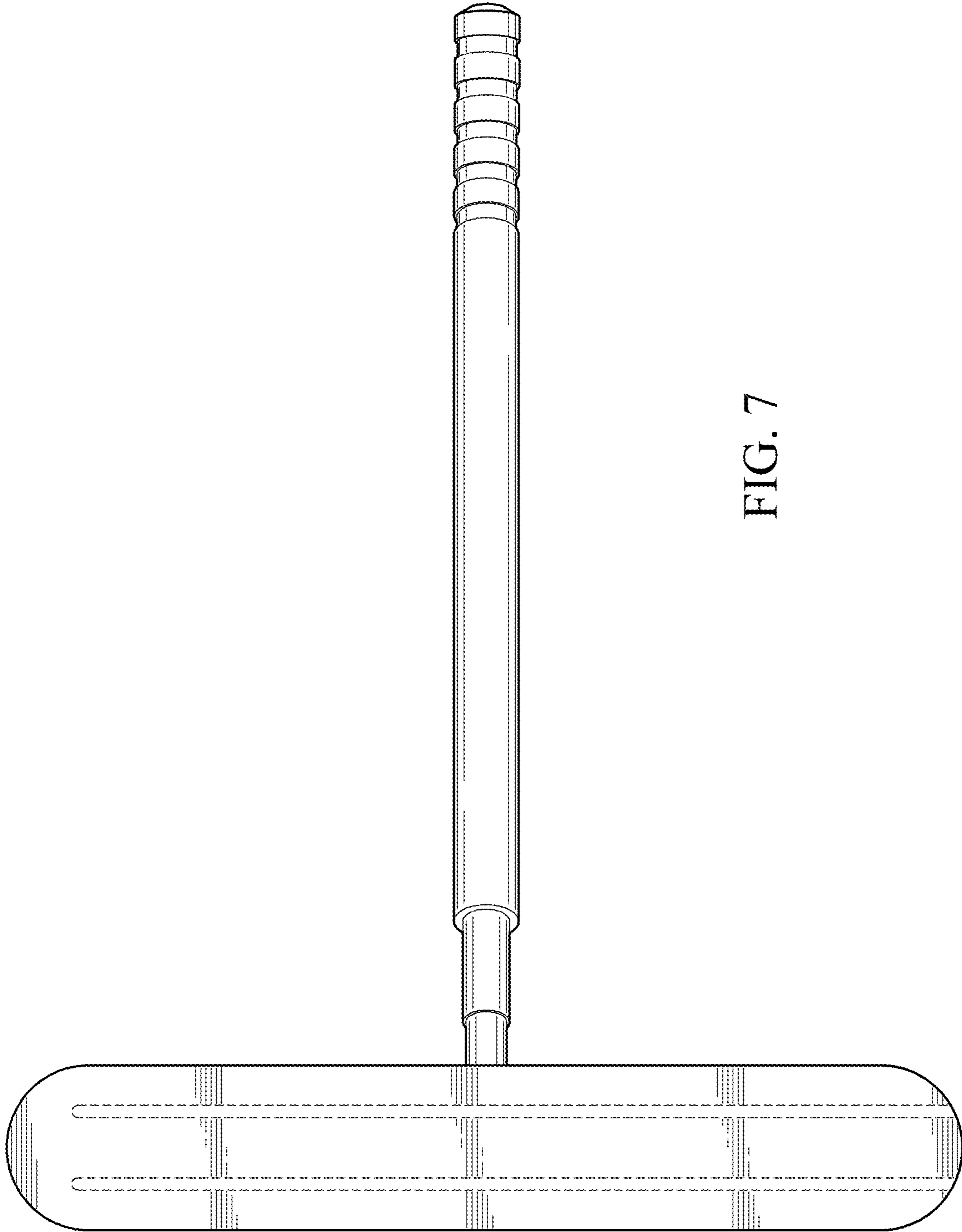


FIG. 7