



US00D796136S

(12) **United States Design Patent**
Reynolds et al.

(10) **Patent No.:** **US D796,136 S**
(45) **Date of Patent:** **** Aug. 29, 2017**

(54) **FLOORHEAD**

(71) Applicant: **AC (Macao Commercial Offshore) Limited**, Macau (MO)
(72) Inventors: **James Reynolds**, Northampton (GB);
Matthew James Ward, East Yorkshire (GB)

(73) Assignee: **AC (Macao Commercial Offshore) Limited**, Macau (MO)

(**) Term: **15 Years**

(21) Appl. No.: **29/547,287**

(22) Filed: **Dec. 2, 2015**

(30) **Foreign Application Priority Data**

Jun. 3, 2015 (CN) 2015 3 0177756

(51) **LOC (10) Cl.** **15-05**

(52) **U.S. Cl.**
USPC **D32/33**

(58) **Field of Classification Search**
USPC D8/396; D32/31-33, 35, 40, 50, 51
CPC F16M 13/02; A24F 19/092; F16L 27/12;
A47L 9/242; A47L 9/02; A47L 9/06;
A47L 9/0673; A47L 5/362; A47L 5/28;
A47L 5/34; A47L 5/30; A47G 25/66;
E04H 4/1654

See application file for complete search history.

(56) **References Cited**

U.S. PATENT DOCUMENTS

D457,696 S * 5/2002 Worwag D32/32
D473,687 S * 4/2003 Kaffenberger D32/33

D507,854 S * 7/2005 Kim D32/32
D524,002 S * 6/2006 Worwag D32/32
D556,963 S * 12/2007 Houghton D32/32
D649,725 S * 11/2011 Fjellman D32/32
D698,510 S * 1/2014 Chu D32/32
D762,031 S * 7/2016 Niedzwecki D32/32
D779,752 S * 2/2017 Johnson D32/32
D781,014 S * 3/2017 Wu D32/32

* cited by examiner

Primary Examiner — Ruth McInroy

(74) *Attorney, Agent, or Firm* — Michael Best & Friedrich LLP

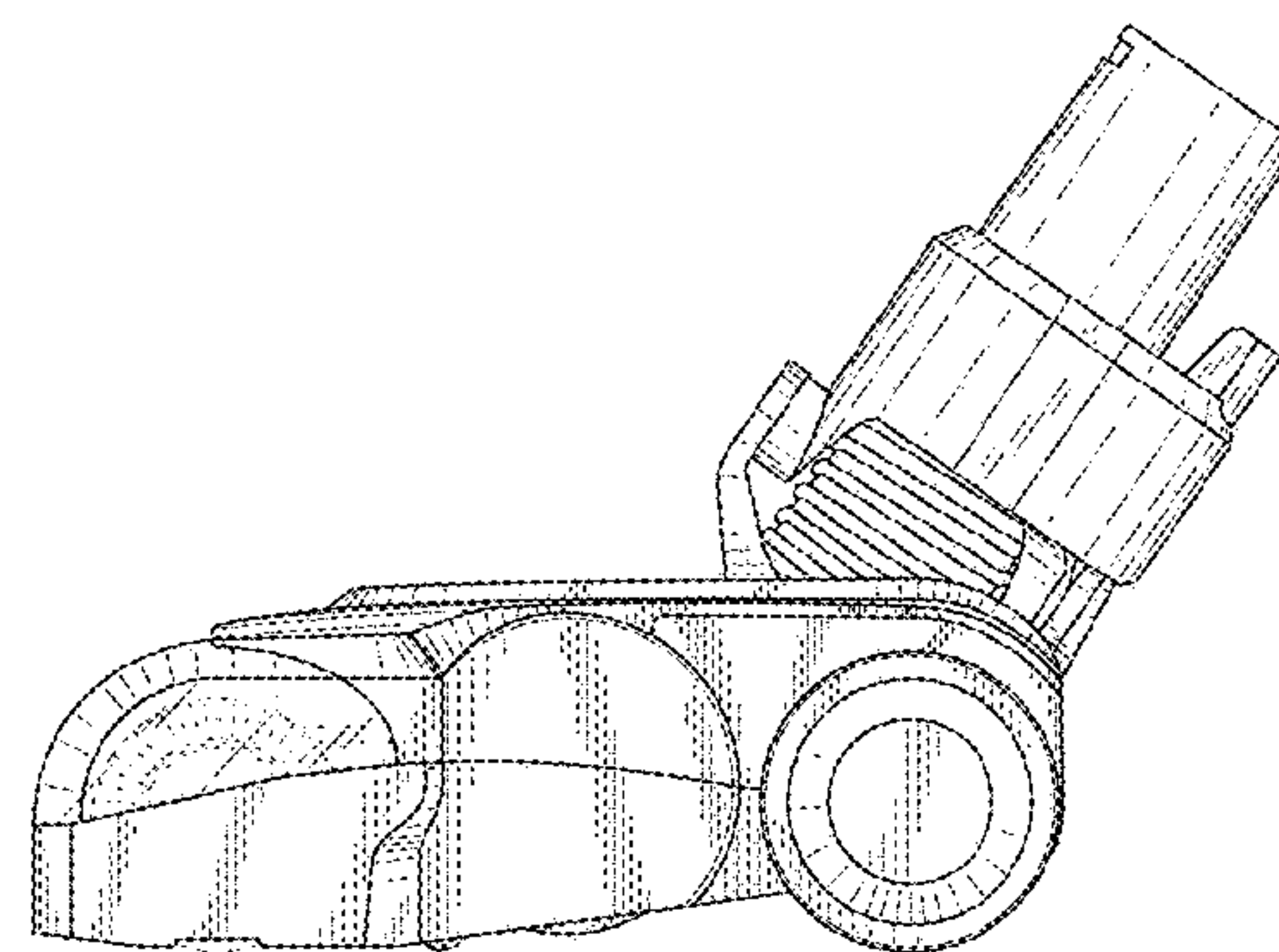
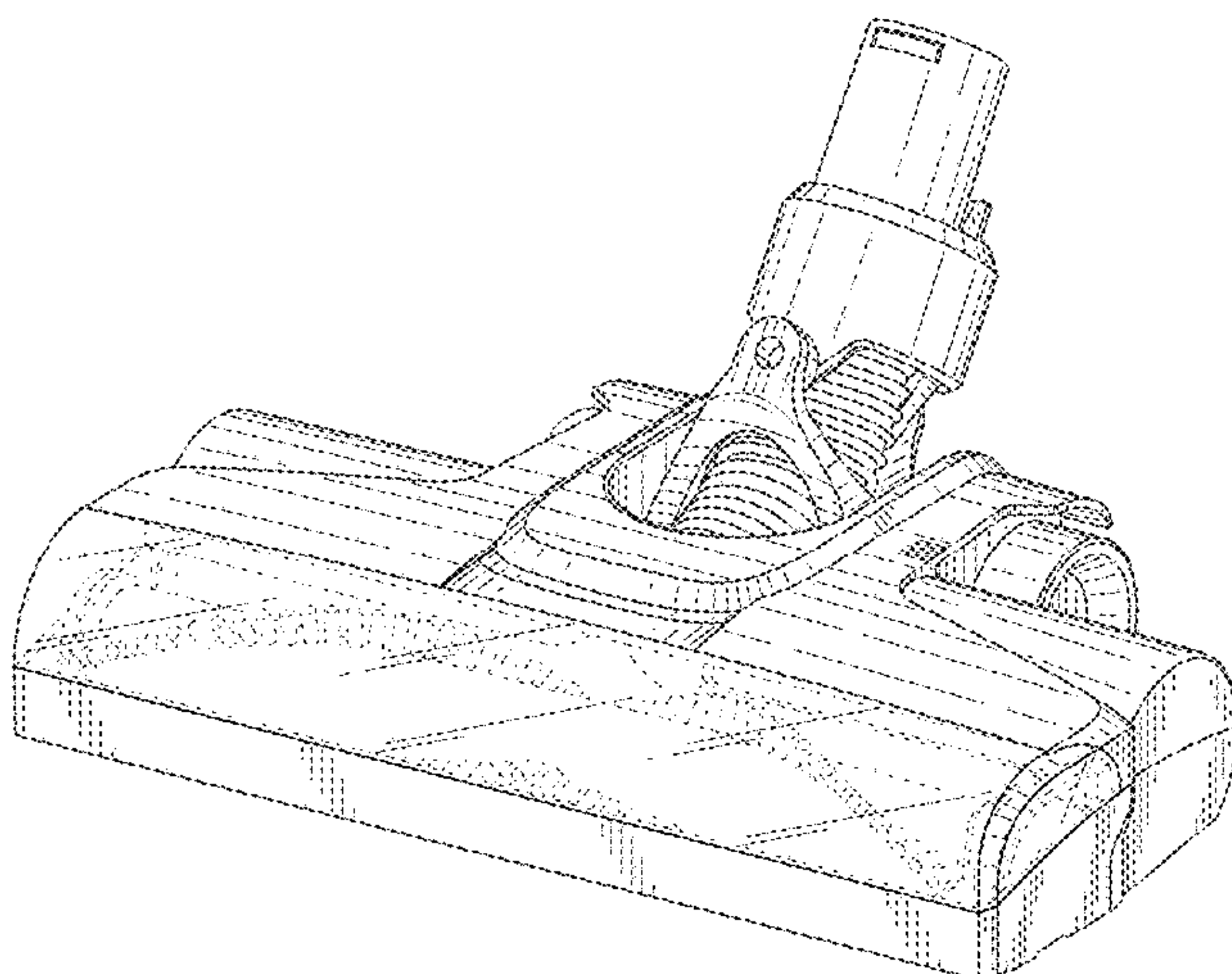
(57) **CLAIM**

We claim the ornamental design for a floorhead, as shown and described.

DESCRIPTION

FIG. 1 is a front perspective view of a floorhead showing our new design;
FIG. 2 is a rear perspective view thereof;
FIG. 3 is a left side view thereof;
FIG. 4 is a right side view thereof;
FIG. 5 is a front view thereof;
FIG. 6 is a rear view thereof;
FIG. 7 is a top view thereof; and,
FIG. 8 is a bottom view thereof.
The elements shown in broken lines are included for the purpose of illustrating environment and form no part of the claimed design.

1 Claim, 6 Drawing Sheets



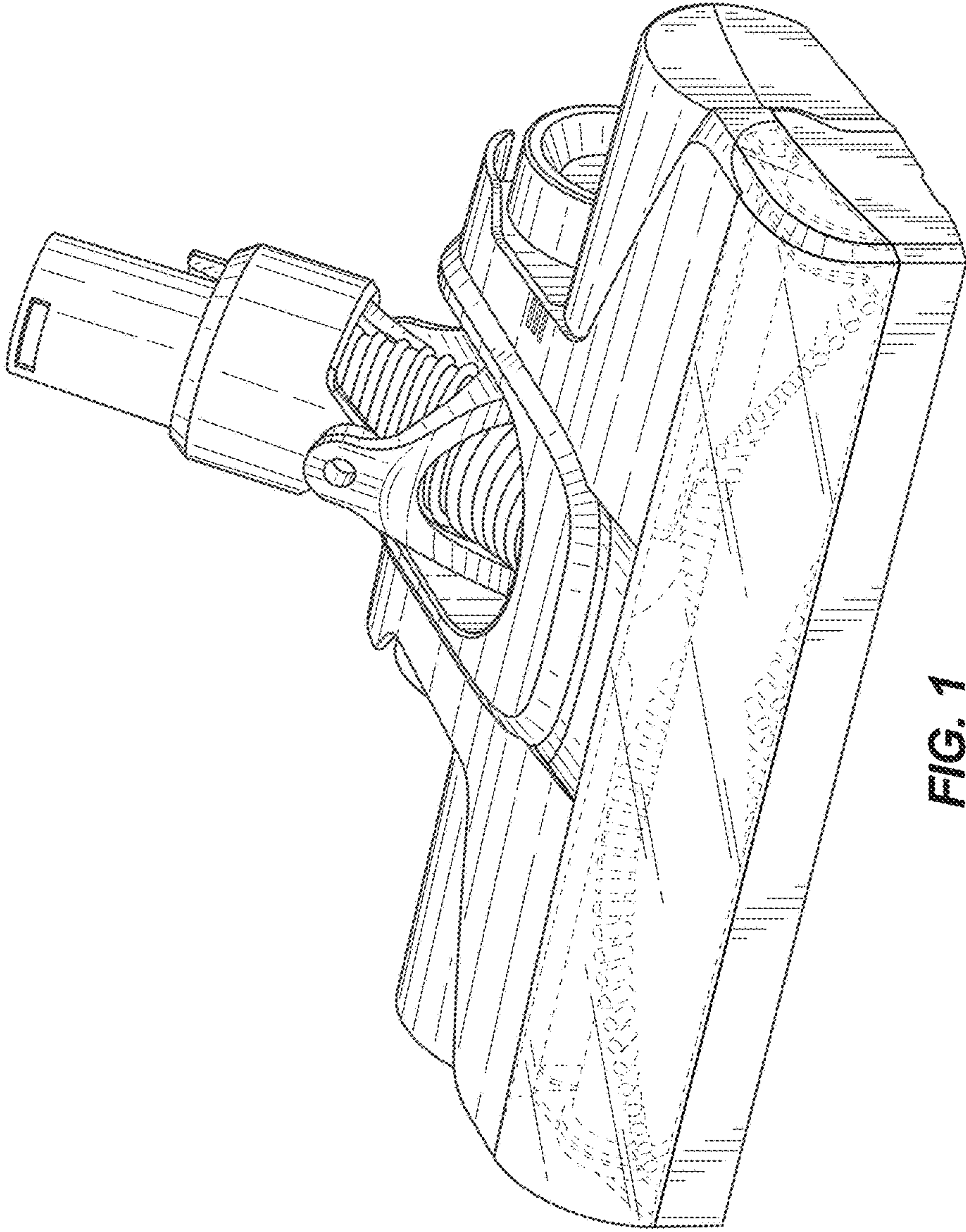


FIG. 1

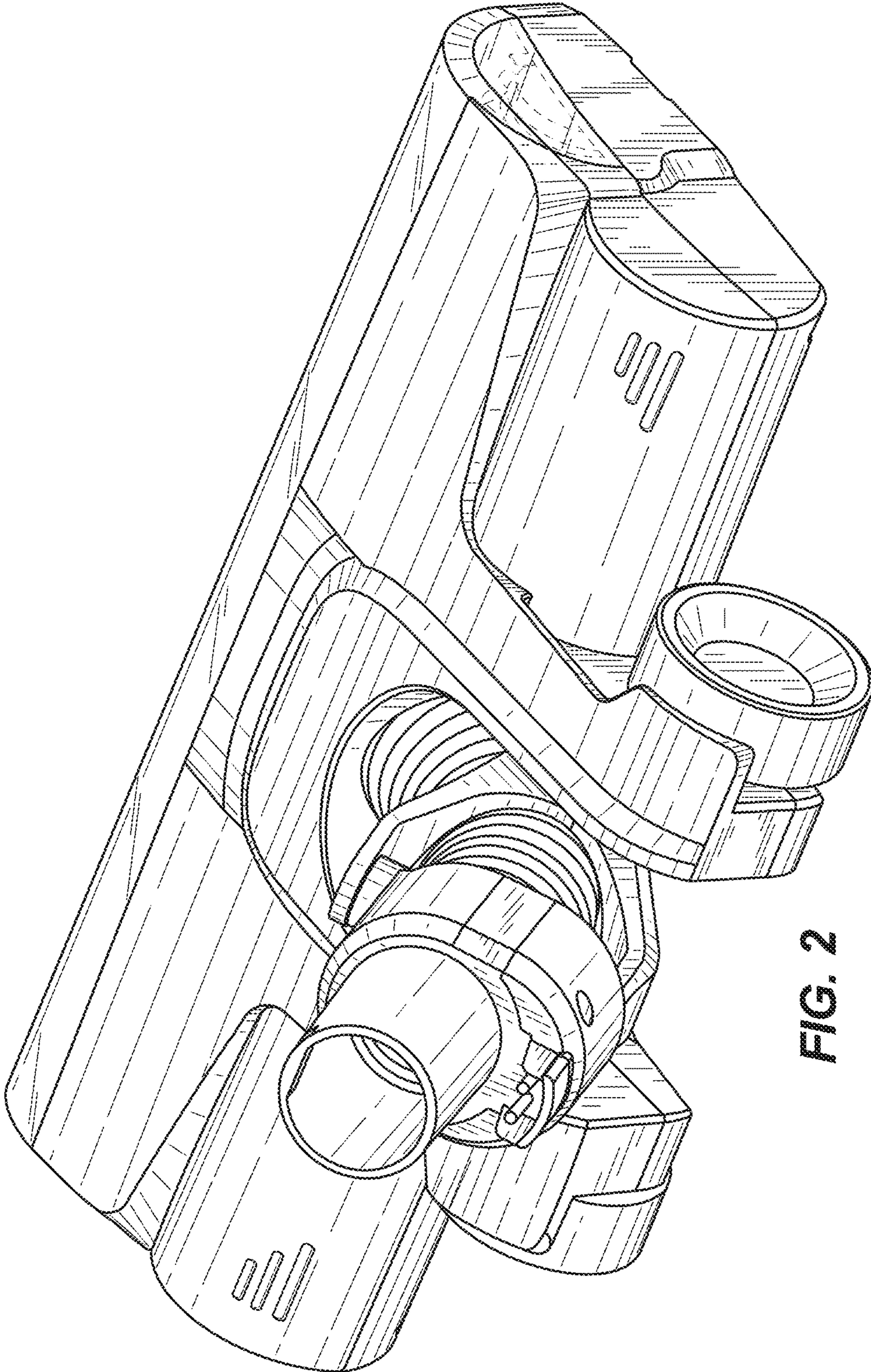


FIG. 2

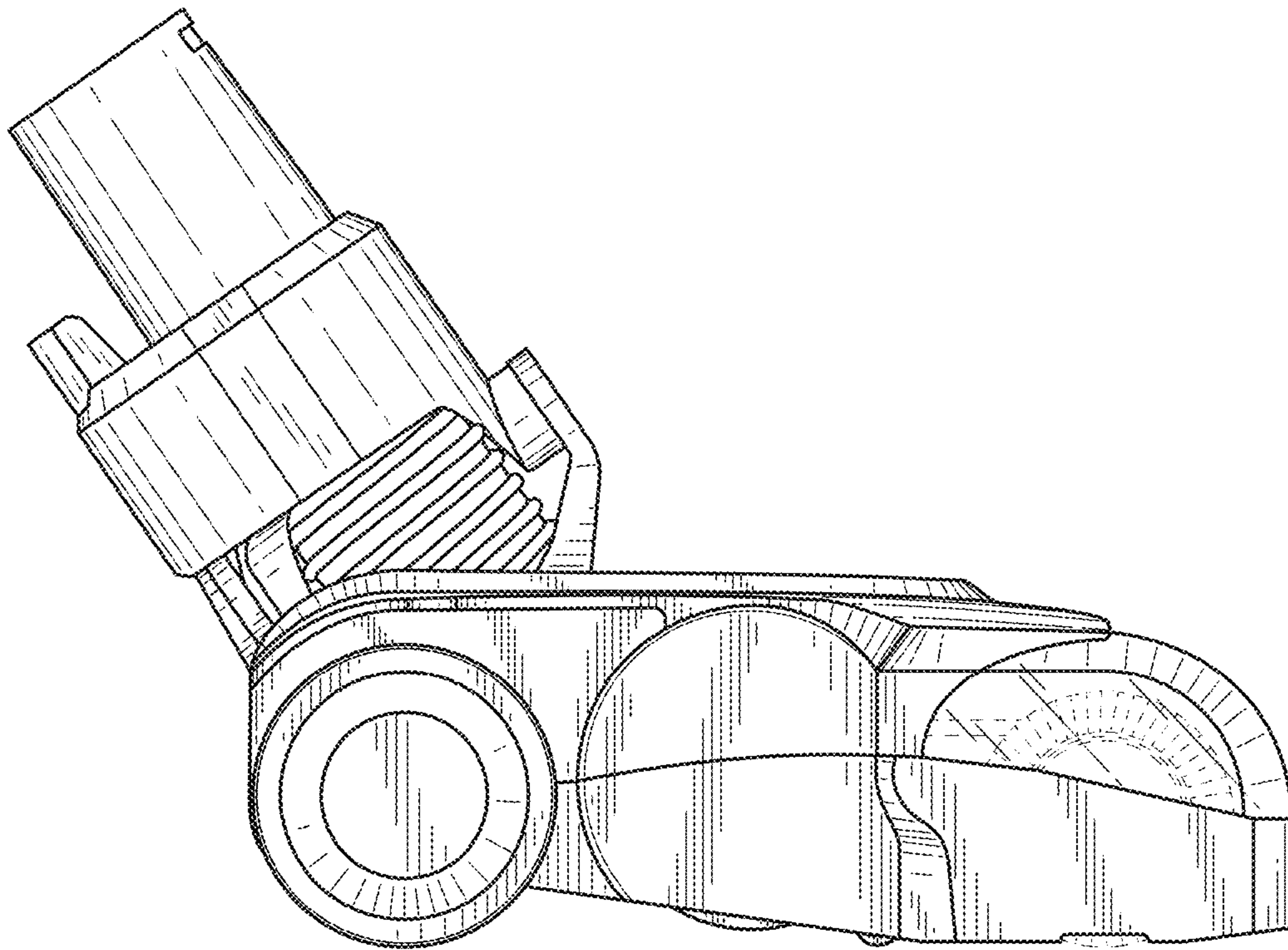


FIG. 3

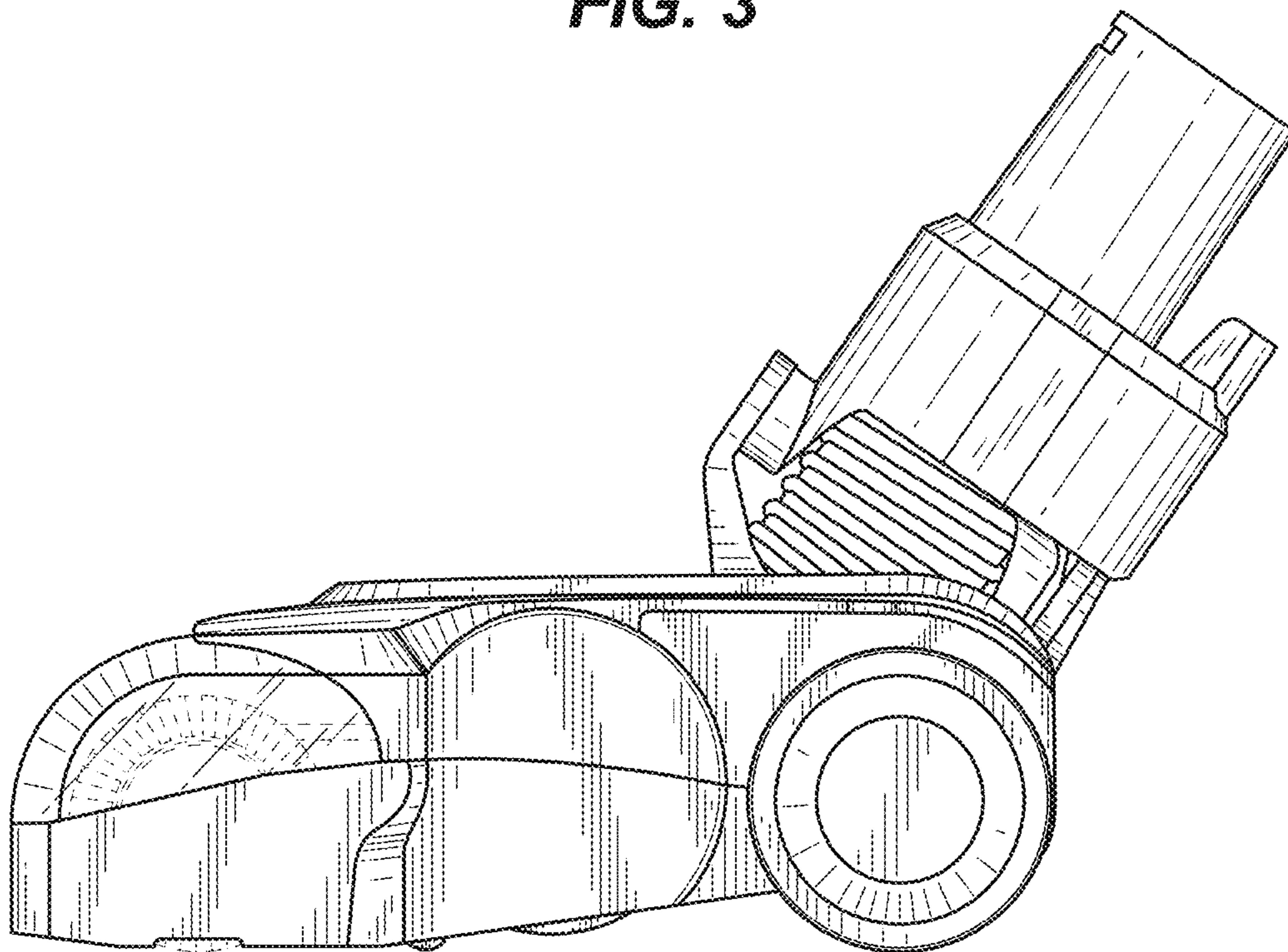


FIG. 4

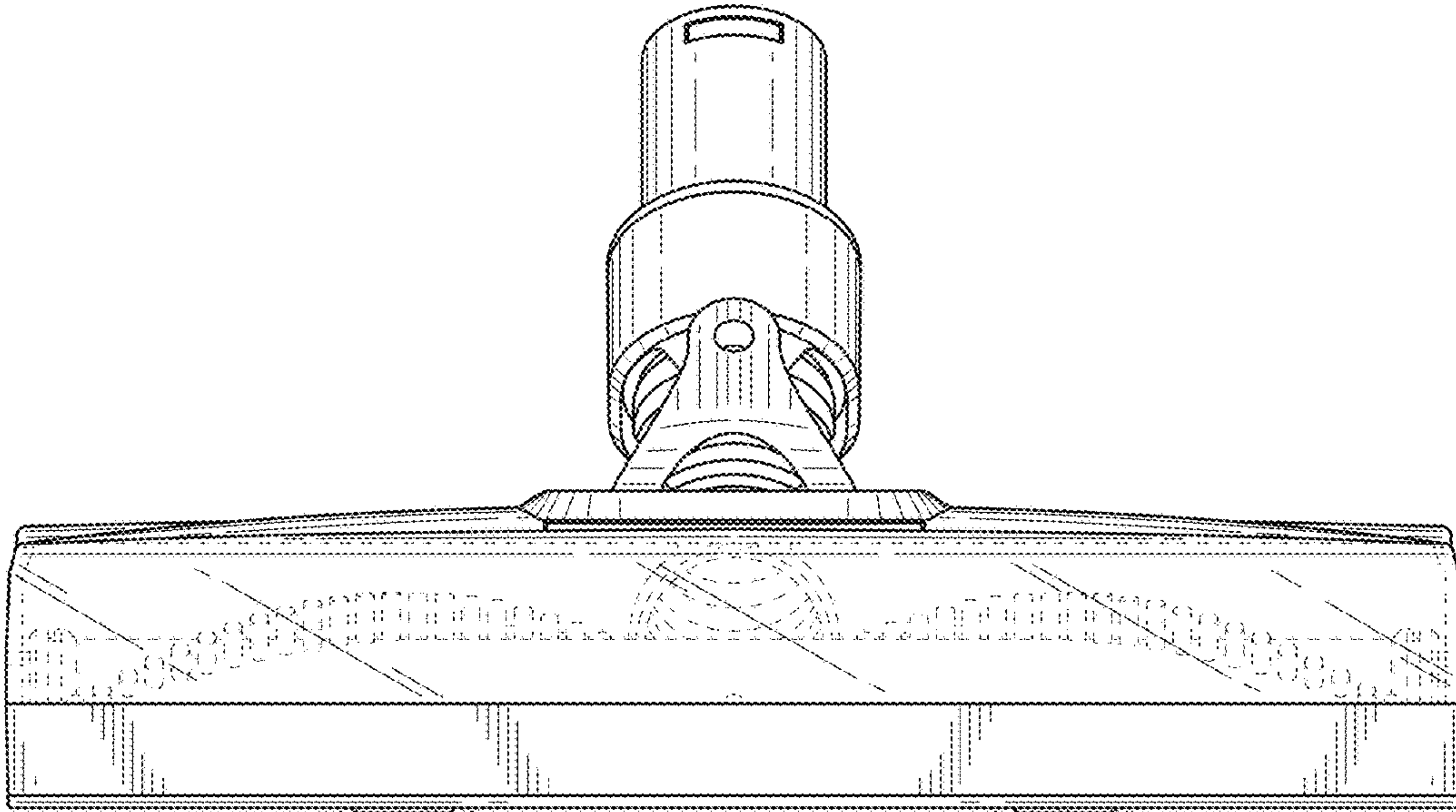


FIG. 5

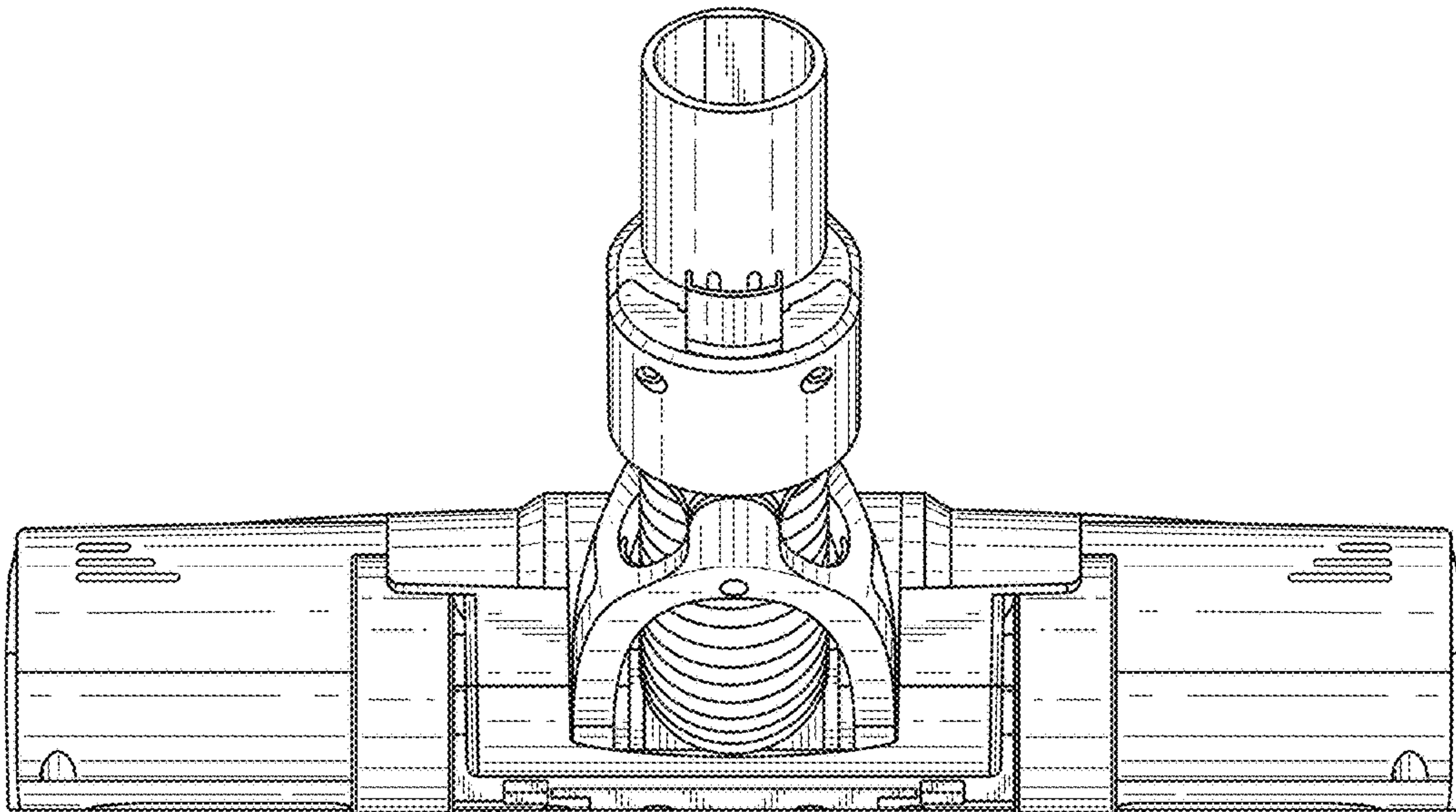


FIG. 6

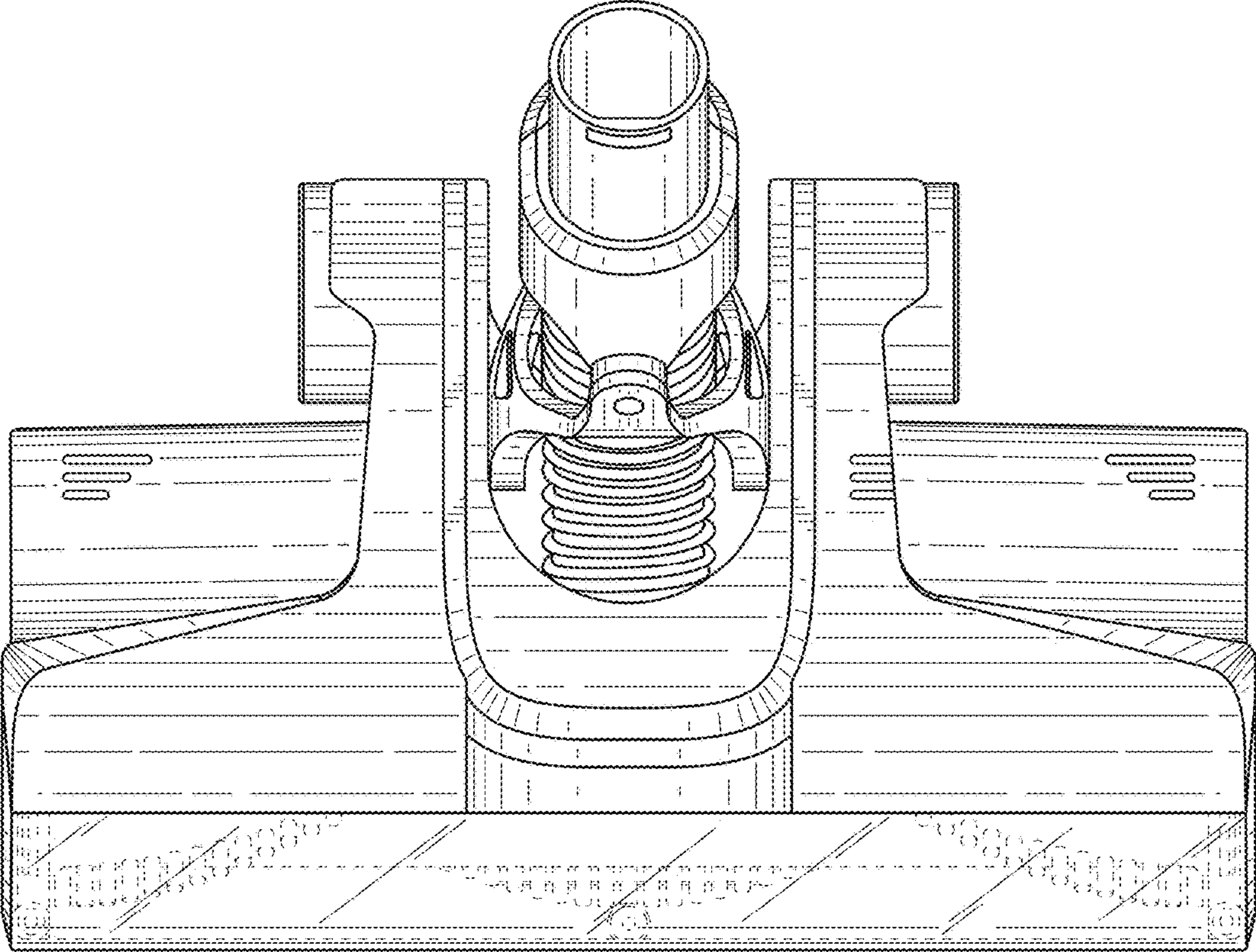


FIG. 7

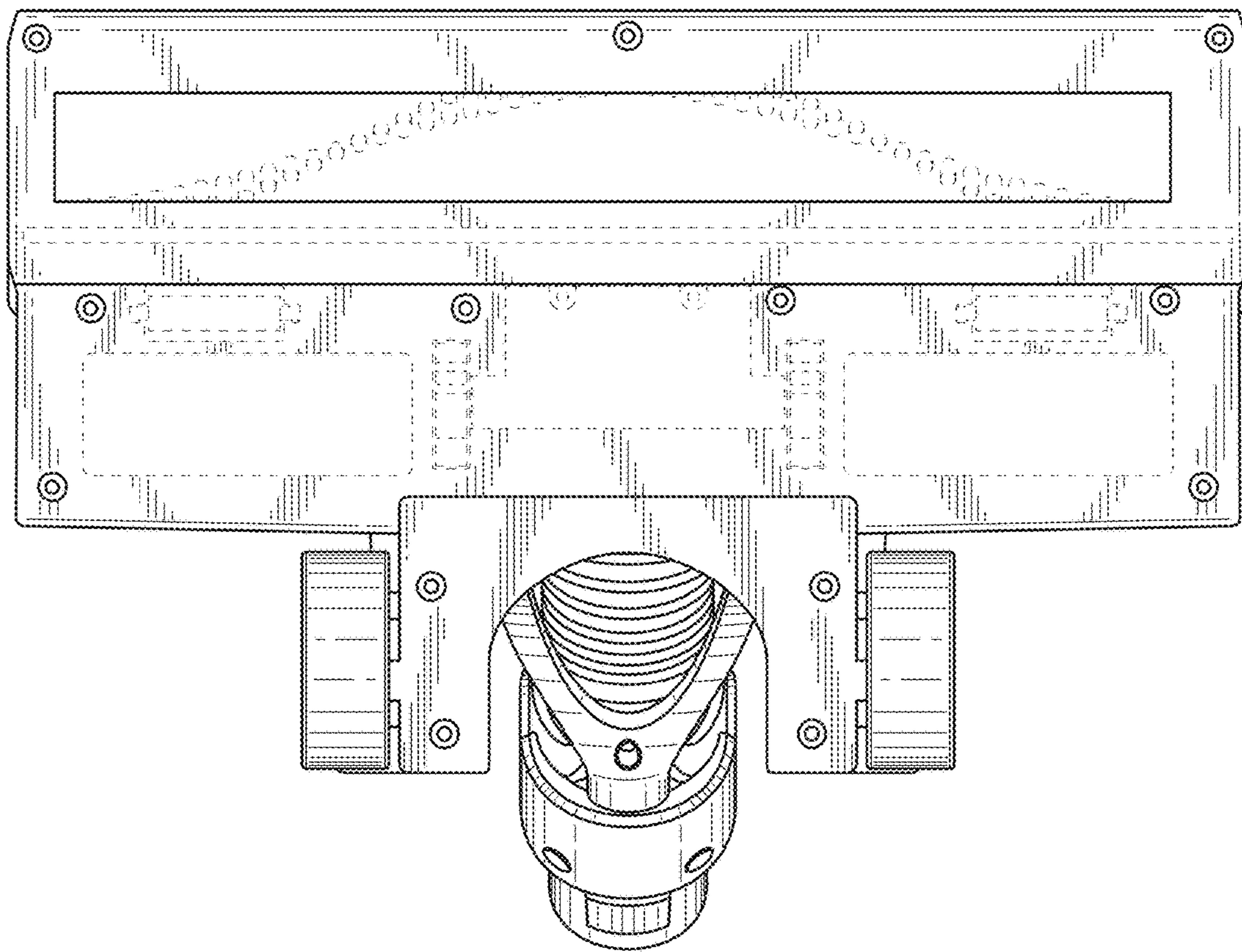


FIG. 8